

**DPO7000, DPO70000 and DSA70000 Series
Digital Oscilloscopes
Programmer Manual**

Copyright © Tektronix. All rights reserved. Licensed software products are owned by Tektronix or its subsidiaries or suppliers, and are protected by national copyright laws and international treaty provisions.

Tektronix products are covered by U.S. and foreign patents, issued and pending. Information in this publication supersedes that in all previously published material. Specifications and price change privileges reserved.

TEKTRONIX and TEK are registered trademarks of Tektronix, Inc.

Contacting Tektronix

Tektronix, Inc.
14200 SW Karl Braun Drive
P.O. Box 500
Beaverton, OR 97077
USA

For product information, sales, service, and technical support:

- In North America, call 1-800-833-9200.
- Worldwide, visit www.tektronix.com to find contacts in your area.

Table of Contents

Preface	iii
Getting Started	1-1
Setting Up Remote Communications	1-1
Command Syntax	2-1
Backus-Naur Form Notation	2-1
Command and Query Structure	2-1
Clearing the Instrument	2-3
Command Entry	2-4
Constructed Mnemonics	2-6
Argument Types	2-7
Command Groups	2-11
Acquisition Command Group	2-11
Alias Command Group	2-12
Calibration Command Group	2-13
Cursor Command Group	2-13
Diagnostics Command Group	2-16
Display Control Command Group	2-17
E-mail Command Group	2-20
File System Command Group	2-21
Hard Copy Command Group	2-22
Histogram Command Group	2-23
Horizontal Command Group	2-24
Limit Test Command Group	2-27
Low Speed Serial Trigger Command Group	2-29
Mask Command Group	2-32
Math Command Group	2-37
Measurement Command Group	2-39
Miscellaneous Command Group	2-43
Save and Recall Command Group	2-44
Search and Mark Command Group	2-45
Status and Error Command Group	2-53
Trigger Command Group	2-54
Vertical Command Group	2-61
Waveform Transfer Command Group	2-65
Zoom Command Group	2-71
Commands Listed in Alphabetical Order	2-73
Status and Events	3-1
Registers	3-1
.....	3-3

Queues	3-4
Event Handling Sequence.....	3-5
Synchronization Methods.....	3-6
Appendix A: Character Set.....	A-1
Appendix B: Reserved Words.....	B-1
Appendix C: Factory Default Setup Values.....	C-1
Default Setup.....	C-1
Appendix D: GPIB Interface Specifications.....	D-1
Interface Messages	D-1
GPIB Functions	D-2
Glossary	
Index	

Preface

This programmer manual provides you with the information required to use GPIB commands for remotely controlling your instrument.

Documentation



Quick Start User Manual. The user manual has information about installing and operating the instrument. It also provides concepts and theories about using the instrument that are not covered in the online help.

Online Help. This is an online help system that is integrated with the User Interface application that ships with this product. The online help provides in-depth operation and user interface help.

Getting Started with OpenChoice™ Solutions Manual. A book that explores some options for getting data from your instrument into any one of several available analysis tools.

Specifications and Performance Verification. Instrument specifications and a performance verification procedure. This is available as a printable PDF file on the Product Software CD-ROM.

TekVISA Programmer Manual. This manual is available as a printable PDF file on the Product Software CD-ROM. The manual describes TekVISA, the Tektronix implementation of the VISA Application Programming Interface (API). TekVISA is industry-compliant software for writing interoperable instrument drivers in a variety of Application Development Environments (ADEs).

Optional Applications Software for Tektronix Windows-Based Instruments (CD-ROM). This CD-ROM contains trial versions of application-specific programs that you can install and run five times per application. To purchase an application, contact your local Tektronix representative.

Other Included Documentation. Installation booklets are included in the Product Software and Operating System Restore Software packages.

Service Manual. The service manual includes procedures to service the instrument to the module level. This manual is available as a printable PDF file on the Product Software CD-ROM.

The programmer guide is divided into the following major topics:

- **Getting Started.** This topic introduces you to the programming information and provides basic information about setting up your instrument for remote control.
- **Command Groups.** This topic contains all the commands listed in functional groups. Each group consists of an overview of the commands in that group and a table that lists all the commands and queries for that group. You can click a command in the listing to display a detailed description of the command.
- **Command Syntax.** This topic provides an overview of the command syntax that you use to communicate with the instrument and other general information about commands, such as how commands and queries are constructed, how to enter commands, constructed mnemonics, and argument types.
- **Status and Events.** This topic discusses the status and event reporting system for the GPIB interfaces. This system informs you of certain significant events that occur within the instrument. Topics that are discussed include registers, queues, event handling sequences, synchronization methods, and messages that the instrument may return, including error messages.
- **Miscellaneous.** This topic contains miscellaneous information, such as a list of reserved words, a table of the factory initialization (default) settings, and interface specifications that may be helpful when using commands to remotely control the instrument.

Getting Started

This programmer guide provides you with the information required to use GPIB commands for remotely controlling your instrument. With this information, you can write computer programs that will perform functions such as setting the front-panel controls, taking measurements, performing statistical calculations, and exporting data for use in other programs, such as spreadsheets.

In addition to the traditional GPIB electronic interface (referred to as the physical GPIB interface), your instrument is provided with a *TekVISA* GPIB-compatible interface (referred to as the virtual GPIB interface). This is a software Application Programming Interface (API) which enables you to communicate with the instrument in a variety of ways, including via the Internet. With the following two exceptions, these interfaces are completely independent:

- **HEADER.** Command headers enabled or disabled on one interface are correspondingly enabled or disabled on the other interface. Refer to the command descriptions for more detailed information.
- **VERBOSE.** Verbosity enabled or disabled on one interface is correspondingly enabled or disabled on the other interface. Refer to the command description for more detailed information.

Most examples in this document require that both **HEADER** and **VERBOSE** are **ON**.

Refer to *Documentation* for information on related manuals and documents.

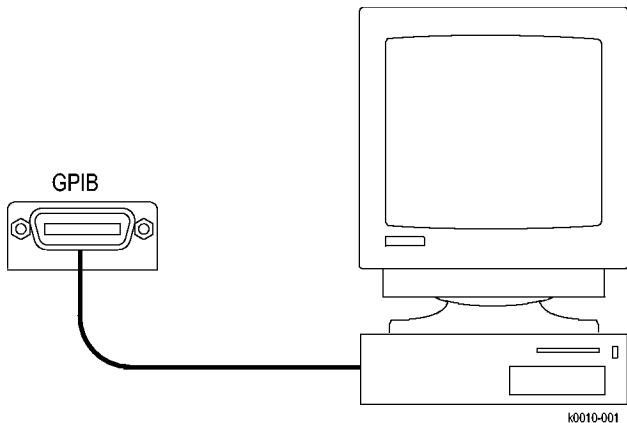
Setting Up Remote Communications

Before setting up the instrument for remote communications using the electronic (physical) GPIB interface, you should familiarize yourself with the following GPIB requirements:

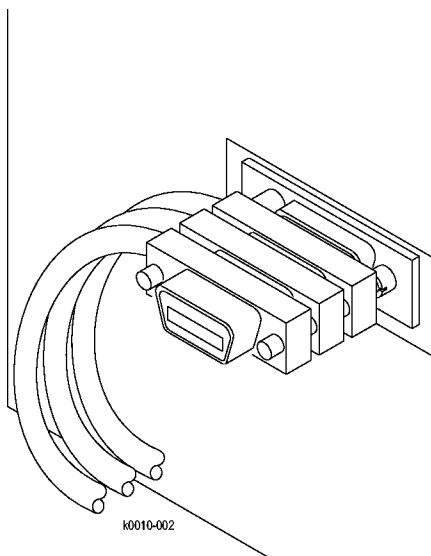
- A unique device address must be assigned to each device on the bus. No two devices can share the same device address.
- No more than 15 devices can be connected to any one line.
- One device should be connected for every 6 feet (2 meters) of cable used.
- No more than 65 feet (20 meters) of cable should be used to connect devices to a bus.
- At least two-thirds of the devices on the network should be powered on while using the network.
- Connect the devices on the network in a star or linear configuration. Do not use loop or parallel configurations.

Connecting to the Instrument

Your instrument has a 24-pin GPIB connector on its rear (side) panel. This connector has a D-type shell and conforms to IEEE Std 488.1³/₄1987. Attach an IEEE Std 488.1³/₄1987 GPIB cable to this connector and to your controller as shown in the following figure.



If necessary, the GPIB connectors can be stacked as shown in the following figure.



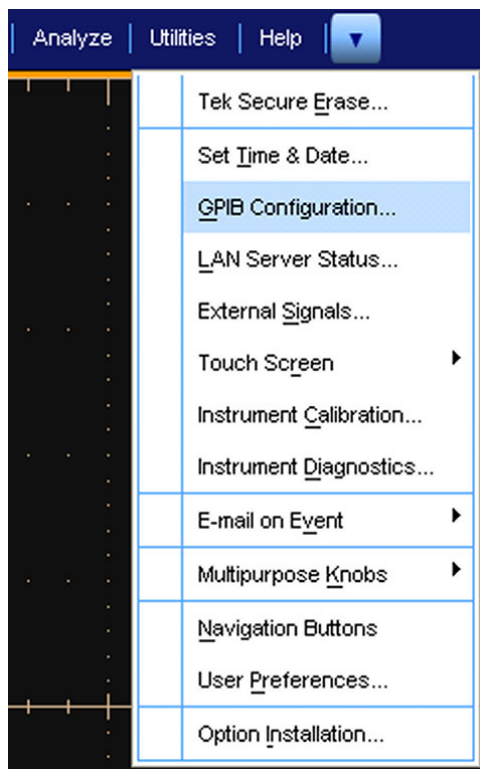
Setting the GPIB Address

To function correctly, your instrument must have a unique device address. The default settings for the GPIB configuration are:

- GPIB Address 1
- GPIB Mode GPIB Talk/Listen

To change either of the GPIB settings, do the following:

1. Select GPIB Configuration from the Utilities menu.



2. Click the Configuration Talk/Listen button.



3. Change the GPIB Address to a unique address.
4. Click the Close button.

The instrument is now set up for bidirectional communication with your controller.

Command Syntax

You can control the operations and functions of the instrument through the GPIB interface using commands and queries. The following related topics listed describe the syntax of these commands and queries. The topics also describe the conventions that the instrument uses to process them. See the *Command Groups* topic in the table of contents for a listing of the commands by command group, or use the index to locate a specific command.

Backus-Naur Form Notation

This documentation describes the commands and queries using Backus-Naur Form (BNF) notation. Refer to the following table for the symbols that are used.

Table 2-1: Symbols for Backus-Naur Form

Symbol	Meaning
< >	Defined element
::=	Is defined as
	Exclusive OR
{ }	Group; one element is required
[]	Optional; can be omitted
...	Previous element(s) may be repeated
()	Comment

Command and Query Structure

Commands consist of set commands and query commands (usually called commands and queries). Commands modify instrument settings or tell the instrument to perform a specific action. Queries cause the instrument to return data and status information.

Most commands have both a set form and a query form. The query form of the command differs from the set form by its question mark on the end. For example, the set command `ACQUIRE:MODE` has a query form `ACQUIRE:MODE?`. Not all commands have both a set and a query form. Some commands have set only and some have query only.

Messages

A command message is a command or query name followed by any information the instrument needs to execute the command or query. Command messages may contain five element types, defined in the following table.

Table 2-2: Command Message Elements

Symbol	Meaning
<Header>	This is the basic command name. If the header ends with a question mark, the command is a query. The header may begin with a colon (:) character. If the command is concatenated with other commands, the beginning colon is required. Never use the beginning colon with command headers beginning with an asterisk (*).
<Mnemonic>	This is a header subfunction. Some command headers have only one mnemonic. If a command header has multiple mnemonics, a colon (:) character always separates them from each other.
<Argument>	This is a quantity, quality, restriction, or limit associated with the header. Some commands have no arguments while others have multiple arguments. A <space> separates arguments from the header. A <comma> separates arguments from each other.
<Comma>	A single comma is used between arguments of multiple-argument commands. Optionally, there may be white space characters before and after the comma.
<Space>	A white space character is used between a command header and the related argument. Optionally, a white space may consist of multiple white space characters.

Commands

Commands cause the instrument to perform a specific function or change one of the settings. Commands have the structure:

[:] <Header> [<Space> <Argument> [<Comma> <Argument>] . . .]

A command header consists of one or more mnemonics arranged in a hierarchical or tree structure. The first mnemonic is the base or root of the tree and each subsequent mnemonic is a level or branch off the previous one. Commands at a higher level in the tree may affect those at a lower level. The leading colon (:) always returns you to the base of the command tree.

Queries Queries cause the instrument to return status or setting information. Queries have the structure:

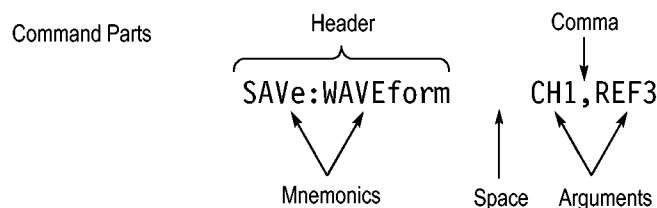
- [:] <Header> ?
- [:] <Header> ? [<Space> <Argument> [<Coma> <Argument>] . . .]

You can specify a query command at any level within the command tree unless otherwise noted. These branch queries return information about all the mnemonics below the specified branch or level. For example, HISTogram:STATistics:STDdev? returns the standard deviation of the histogram, while HISTogram:STATistics? returns all the histogram statistics, and HISTogram? returns all the histogram parameters.

Headers You can control whether the instrument returns headers as part of the query response. Use the HEADer command to control this feature. If header is on, the query response returns command headers, then formats itself as a valid set command. When header is off, the response includes only the values. This may make it easier to parse and extract the information from the response. The following table shows the difference in responses.

Table 2-3: Comparison of Header Off and Header On Responses

Query	Header Off	Header On
TIME?	"14:30:00"	:TIME"14:30:00"
ACQuire:NUMAVg?	100	:ACQUIRE:NUMAVG 100



Clearing the Instrument

You can clear the Output Queue and reset the instrument to accept a new command or query by using the selected Device Clear (DCL) GPIB function. Refer to your GPIB library documentation for further details about the selected Device Clear operation.

Command Entry

The following rules apply when entering commands:

- You can enter commands in upper or lower case.
- You can precede any command with white space characters. White space characters include any combination of the ASCII control characters 00 through 09 and 0B through 20 hexadecimal (0 through 9 and 11 through 32 decimal).
- The instrument ignores commands consisting of any combination of white space characters and line feeds.

Abbreviating

You can abbreviate many instrument commands. Each command in this documentation shows the abbreviations in capitals. For example, you can enter the command ACQure:NUMAvg simply as ACQ:NUMA or acq:numa.

Abbreviation rules may change over time as new instrument models are introduced. Thus, for the most robust code, use the full spelling.

If you use the HEADer command to have command headers included as part of query responses, you can further control whether the returned headers are abbreviated or are full-length with the VERBose command.

Concatenating

You can concatenate any combination of set commands and queries using a semicolon (;). The instrument executes concatenated commands in the order received.

When concatenating commands and queries, you must follow these rules:

1. Separate completely different headers by a semicolon and by the beginning colon on all commands except the first one. For example, the commands `TRIGger:MODE NORMAl` and `ACQuire:NUMAVg 10`, can be concatenated into the following single command:

```
TRIGger:MODE NORMAl;:ACQuire:NUMAVg 10
```

2. If concatenated commands have headers that differ by only the last mnemonic, you can abbreviate the second command and eliminate the beginning colon. For example, you can concatenate the commands `ACQuire:MODE ENVeloPe` and `ACQuire:NUMAVg 10` into a single command:

```
ACQuire:MODE ENVeloPe; NUMAVg 10
```

The longer version works equally well:

```
ACQuire:MODE ENVeloPe;:ACQuire:NUMAVg 10
```

3. Never precede a star (*) command with a colon:

```
ACQuire:MODE ENVeloPe;*OPC
```

Any commands that follow will be processed as if the star command was not there so the commands, `ACQuire:MODE ENVeloPe;*OPC;NUMAVg 10` will set the acquisition mode to envelope and set the number of acquisitions for averaging to 10.

4. When you concatenate queries, the responses to all the queries are concatenated into a single response message. For example, if the display imageview color is temperature and the display recordview color is spectral, the concatenated query `DISPlay:COLOR:PALETTE:IMAGEVIEW?;RECORDVIEW?` will return the following.

If the header is on:

```
:DISPLAY:COLOR:PALETTE:IMAGEVIEW TEMPERATURE;
:DISPLAY:COLOR:PALETTE:RECORDVIEW SPECTRAL
```

If the header is off:

```
TEMPERATURE;SPECTRAL
```

5. Set commands and queries may be concatenated in the same message. For example,

```
ACQuire:MODE SAMPlE;NUMAVg?;STATE?
```

is a valid message that sets the acquisition mode to sample. The message then queries the number of acquisitions for averaging and the acquisition state. Concatenated commands and queries are executed in the order received.

Here are some invalid concatenations:

```
DISPlay:STYle:NORMAl;ACQuire:NUMAVg 10 (no colon before ACQuire)
```

DISP`lay:COLor:CURSor1 1;:CURSor2 5` (extra colon before CURSor2; useDISP`lay:COLor:CURSor1 1:CURSor2 5` instead)

DISP`lay:STYle:NORMal;:*OPC` (colon before a star (*) command)

DISP`lay:COLor:CURSor1 1;COLor:CURSor2 5` (levels of the mnemonics are different; either remove the second use of COLor or place :DISP`lay:` in front of COLor:CURSor2 5)

Terminating This documentation uses <EOM> (End of message) to represent a message terminator.

Table 2-4: End of Message Terminator

Symbol	Meaning
<EOM>	Message terminator

The end-of-message terminator must be the END message (EOI asserted concurrently with the last data byte). The last data byte may be an ASCII linefeed (LF) character.

This instrument does not support ASCII LF only message termination. The instrument always terminates outgoing messages with LF and EOI.

Constructed Mnemonics

Some header mnemonics specify one of a range of mnemonics. For example, a channel mnemonic can be CH1, CH2, CH3, or CH4. You use these mnemonics in the command just as you do any other mnemonic. For example, there is a CH1:POSition command, and there is also a CH2:POSition command. In the command descriptions, this list of choices is abbreviated as CH<x>.

Cursor Position Mnemonics When cursors are displayed, commands may specify which cursor of the pair to use.

Table 2-5: Cursor Mnemonics

Symbol	Meaning
CURSOR<x>	A cursor selector; <x> is either 1 or 2.
POSITION<x>	A cursor selector; <x> is either 1 or 2.
HPOS<x>	A cursor selector; <x> is either 1 or 2.

Math Specifier Mnemonics Commands can specify the mathematical waveform to use as a mnemonic in the header.

Table 2-6: Math Specifier Mnemonics

Symbol	Meaning
Math<x>	A math waveform specifier; <x> is 1 through 4.

Measurement Specifier Mnemonics

Commands can specify which measurement to set or query as a mnemonic in the header. Up to eight automated measurements may be displayed.

Table 2-7: Measurement Specifier Mnemonics

Symbol	Meaning
MEAS<x>	A measurement specifier; <x> is 1 through 8.

Channel Mnemonics

Commands specify the channel to use as a mnemonic in the header.

Table 2-8: Channel Mnemonics

Symbol	Meaning
CH<x>	A channel specifier; <x> is 1 through 4.

Reference Waveform Mnemonics

Commands can specify the reference waveform to use as a mnemonic in the header.

Table 2-9: Reference Waveform Mnemonics

Symbol	Meaning
REF<x>	A reference waveform specifier; <x> is 1 thru 4.

Argument Types**Numeric**

Many instrument commands require numeric arguments. The syntax shows the format that the instrument returns in response to a query. This is also the preferred format when sending the command to the instrument though any of the formats will be accepted. This documentation represents these arguments as follows:

Table 2-10: Numeric Arguments

Symbol	Meaning
<NR1>	Signed integer value

Table 2-10: Numeric Arguments (cont.)

Symbol	Meaning
<NR2>	Floating point value without an exponent
<NR3>	Floating point value with an exponent

Most numeric arguments will be automatically forced to a valid setting, either by rounding or truncating, when an invalid number is input unless otherwise noted in the command description.

Quoted String

Some commands accept or return data in the form of a quoted string, which is simply a group of ASCII characters enclosed by a single quote (') or double quote ("). The following is an example of a quoted string: "This is a quoted string". This documentation represents these arguments as follows:

Table 2-11: Quoted String Argument

Symbol	Meaning
<QString>	Quoted string of ASCII text

A quoted string can include any character defined in the 7-bit ASCII character set. Follow these rules when you use quoted strings:

1. Use the same type of quote character to open and close the string. For example: "this is a valid string".
2. You can mix quotation marks within a string as long as you follow the previous rule. For example, "this is an 'acceptable' string".
3. You can include a quote character within a string by repeating the quote. For example: "here is a "" mark".
4. Strings can have upper or lower case characters.
5. If you use a GPIB network, you cannot terminate a quoted string with the END message before the closing delimiter.
6. A carriage return or line feed embedded in a quoted string does not terminate the string, but is treated as just another character in the string.
7. The maximum length of a quoted string returned from a query is 255 characters.

Here are some invalid strings:

- "Invalid string argument' (quotes are not of the same type)
- "test<EOI>" (termination character is embedded in the string)

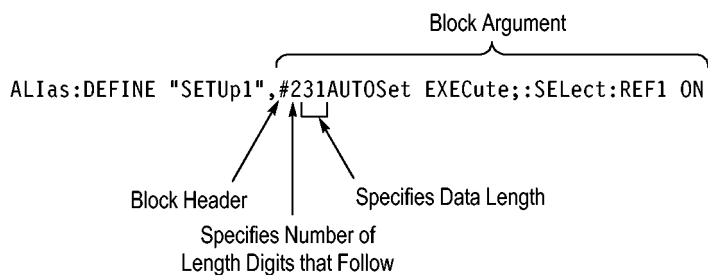
Block

Several instrument commands use a block argument form (see the following table).

Table 2-12: Block Argument

Symbol	Meaning
<NZDig>	A nonzero digit character in the range of 1–9
<Dig>	A digit character, in the range of 0–9
<DChar>	A character with the hexadecimal equivalent of 00 through FF (0 through 255 decimal)
<Block>	A block of data bytes defined as: <Block> ::= {#<NZDig><Dig>[<Dig>...][<DChar>...]} #0[<DChar>...]<terminator>}

<NZDig> specifies the number of <Dig> elements that follow. Taken together, the <NZDig> and <Dig> elements form a decimal integer that specifies how many <DChar> elements follow.



Command Groups

The programmable interface conforms to Tektronix standard codes and formats except where noted. The GPIB interface also conforms to IEEE Std 488.2-1987 except where noted.

Acquisition Command Group

Use the commands in the Acquisition Command Group to set up the modes and functions that control how the instrument acquires the signals you input to the channels and processes them into waveforms.

Using these commands for acquiring waveforms, you can do the following:

- Start and stop acquisitions.
- Control whether each waveform is simply acquired, averaged, or enveloped over successive acquisitions of that waveform.
- Set the controls or conditions that start and stop acquisitions.
- Determine the action the system takes upon completing an acquisition, such as saving all waveforms and taking a measurement when the acquisition is stopped.
- Control acquisition of acquired channel waveforms.
- Set acquisition parameters.

Table 2-13: Acquisition Commands

Command	Description
ACQUIRE?	Returns acquisition parameters
ACQUIRE:INTERPEightbit	Sets or returns the interpolation acquisition mode
ACQUIRE:MODE	Sets or returns acquisition mode
ACQUIRE:NUMFRAMESACQUIRED?	Returns the number of acquisitions that have occurred
ACQUIRE:NUMACq?	Returns the number of waveform acquisitions that have occurred since starting acquisition with the ACQUIRE:STATE RUN command
ACQUIRE:NUMAVg	Sets or returns number of acquisitions for an averaged waveform
ACQUIRE:NUMEnv	Sets or returns number of acquisitions for envelope waveform
ACQUIRE:NUMSAMPles	Sets or returns the number of samples that make up a WfmDB for single sequence mode and Mask Pass/Fail Completion Test

Table 2-13: Acquisition Commands (cont.)

Command	Description
ACQUIRE:SAMPLINGMODE	This command sets or queries the sampling mode
ACQUIRE:STATE	Starts, stops, or returns acquisition state
ACQUIRE:STOPAFTER	Sets or returns whether the acquisition is continuous or single sequence
FASTACQ?	Enables, disables, or returns state of Fast Acquisition mode
FASTACQ:HIACQRATE	Sets or returns the state of FastAcq optimization for capturing the details with a higher sample rate
FASTACQ:STATE	Returns the Fast Acquisition state

Alias Command Group

Alias commands allow you to define new commands as a sequence of standard commands. You may find this useful when repeatedly using the same commands to perform certain tasks like setting up measurements.

Aliases are similar to macros but do not include the capability to substitute parameters into alias bodies. The alias mechanism obeys the following rules:

- The alias name must consist of a valid IEEE 488.2 message unit, which may not appear in a message preceded by a colon, comma, or a command or query program header.
- The alias name may not appear in a message followed by program date, a colon, comma, or question mark.
- An alias name must be distinct from any keyword or keyword short form.
- An alias name cannot be redefined without first being deleted using one of the alias deletion functions.
- Alias names do not appear in response messages.
- The Alias commands are defined in Tektronix Standard Codes and Formats. Deviations between that standard and what is specified here will be considered errors unless specifically noted in the command description in this document.

Table 2-14: Alias Commands

Command	Description
ALIAS	Sets or returns the alias state
ALIAS:CATALOG?	Returns a list of the currently defined alias labels

Table 2-14: Alias Commands (cont.)

Command	Description
ALias:DEFine	Assigns a sequence of program messages to an alias label
ALias:DELEte	Removes a specified alias
ALias:DELEte:ALL	Deletes all existing aliases
ALias:DELEte:NAME	Removes a specified alias
ALias:STATE	Sets or returns the alias state

Calibration Command Group

The Calibration commands provide information about the current state of instrument calibration and allow you to initiate internal signal path calibration (SPC). Commands that are specific to factory calibration are not described in this manual; however, they are described in the service manual (located on your Product Software CD-ROM in PDF format). You can also order a printed copy (see Recommended Accessories in the online help for the instrument).

Command	Description
CALibrate?	Returns the internal and factory calibration status
*CAL?	Instructs the instrument to perform self-calibration and returns the calibration status when complete
CALibrate:CALProbe:CH<x>?	Performs a probe calibration for the selected channel and returns the calibration status
CALibrate:INTERNAL	Starts the internal signal path calibration
CALibrate:INTERNAL:START	Starts the internal signal path calibration
CALibrate:INTERNAL:STATus?	Returns the current status of the internal signal path calibration
CALibrate:PRObestate:CH<x>?	Returns the probe calibration status for the probe of the selected channel
CALibrate:RESults?	Returns the status of all calibration subsystems without performing an SPC operation
CALibrate:RESults:SPC?	Returns the results of the last SPC operation

Cursor Command Group

Use the commands in the Cursor Command Group to control the cursor display and readout. You can use these commands to control the setups for cursor 1 and cursor 2, such as waveform source, cursor position, and cursor color.

You can also use the commands to select one of the following cursor functions:

- **Off.** Shuts off the display of all cursors.
- **Vertical Bars.** Displays vertical bar cursors, which provide traditional horizontal unit readouts for Cursor 1 (bar1), Cursor 2 (bar2), the delta between them, and 1/delta (results in frequency when the horizontal unit is time).
- **Horizontal Bars.** Displays horizontal bar cursors, which provide traditional vertical unit readouts for Cursor 1 (bar1), Cursor 2 (bar2), and the delta between them.
- **Waveform Cursors.** Consists of two cursors you can independently assign to a waveform. These cursors provide the same readouts that the vertical and horizontal bar cursors provide. Waveform cursors enable you to conveniently measure waveform amplitude and time. In XY or XYZ format, waveform cursors indicate the amplitude position of an XY pair (Ch1 vs Ch2 voltage, where Ch1 is the X axis and Ch2 is the Y axis) relative to the trigger.
- **Screen Cursors.** Consists of two pairs of independent horizontal and vertical cursors. You can use these cursors to indicate an arbitrary position within the waveform display area. Screen cursors, depending on the style selected, consist of the intersection of a vertical and horizontal line, an X, or a vertical line with an X. These cursors have no association with any waveform, other than they inherit the color of the waveform they are assigned too.

Command	Description
CURSor?	Returns all cursor settings
CURSor:FUNCTion	Sets or returns the cursor type
CURSor:HBArs?	Returns hbar cursor settings
CURSor:HBArs:DELTA?	Returns hbars cursors vertical difference
CURSor:HBArs:POSITION<x>	Sets or returns the hbar cursor<x> vertical position
CURSor:HBArs:UNIts?	Returns hbar cursor units
CURSor:LINEStyle	Sets or returns the cursor line style
CURSor:MODE	Sets or returns whether cursors move in unison or separately
CURSor:SCREEN:StYle	Sets or returns the cursor type for screen mode
CURSor:SCREEN:XPOSITION<x>	Sets or queries the x position of the specified screen cursor
CURSor:SCREEN:YPOSITION<x>	Sets or queries the y position of the specified screen cursor
CURSor:SOUrce<x>	Sets or returns the source for cursor <x>
CURSor:STATE	Turns cursors on or off or returns their state
CURSor:VBArS	Sets or returns the position of vertical bar cursors

Command	Description
CURSor:VBArS:DELTA?	Returns the difference between vbar cursors
CURSor:VBArS:POSITION<x>	Sets or returns the vbar cursor<x> horizontal position
CURSor:VBArS:POS<x>	Sets or queries the horizontal position for vertical bar cursors
CURSor:VBArS:UNItS	Sets or returns the units for vbar cursors
CURSor:WAVEform	Sets or returns the current settings for waveform cursors
CURSor:WAVEform:HDELTA?	Returns the horizontal difference between waveform cursors
CURSor:WAVEform:HPOS<x>?	Returns the position of waveform cursor <x>
CURSor:WAVEform:POSItion<x>	Sets or returns the position of waveform cursor <x>
CURSor:WAVEform:STYle	Sets or returns the cursor type for waveform mode
CURSor:WAVEform:UNItS	Sets or returns the units for waveform cursors
CURSor:WAVEform:VDELTA?	Returns the vertical difference between waveform cursors
CURSor:XY?	Returns the current settings for XY cursors
CURSor:XY:PRODELta?	Returns the product of the difference between the cursors X positions and Y positions
CURSor:XY:PRODUCT<x>?	Returns the product of the X and Y positions for the specified cursor
CURSor:XY:RADIUS<x>?	Returns the radius of the specified cursor
CURSor:XY:RATDELta?	Returns ratio of the difference between the cursors X position and Y position
CURSor:XY:RATIO<x>?	Returns ratio of the X (horizontal) and Y (vertical) position for the specified cursor
CURSor:XY:RDELta?	Returns the Dr value
CURSor:XY:READOUT	Sets or returns the XY cursor readout mode
CURSor:XY:RECTX<x>	Sets or returns the X cursor position in rectangular coordinates
CURSor:XY:RECTY<x>	Sets or returns the Y cursor position in rectangular coordinates
CURSor:XY:THDELta?	Returns the XY cursor angle delta in polar coordinates
CURSor:XY:THETA<x>?	Returns the XY cursor angle in polar coordinates

Command	Description
CURSor:XY:XDELta?	Returns the XY cursor ΔX value in rectangular coordinates
CURSor:XY:YDELta?	Returns the XY cursor ΔY value in rectangular coordinates

Diagnostics Command Group

The Diagnostic commands control the selection and execution of diagnostic tests.

Command	Description
DIAg:CONTROL:HALT	Enables or disables halting on first diagnostic failure
DIAg:CONTROL:LOOP	Enables or disables looping of diagnostics
DIAg:FAILURES:CLEAR	Sets and returns the clearing of pass/fail information from data structures, not the Event Log, at the start of diagnostic tests
DIAg:EXECUTE	Executes currently selected set of diagnostics
DIAg:ITEM?	Returns all data associated with a selected menu item
DIAg:ITEM:FAILURES?	Returns the total number of failures that occurred
DIAg:ITEM:NAME?	Returns the name of the selected menu item
DIAg:ITEM:RESULT?	Returns the results of the last test executed on this item
DIAg:ITEM:SUBITEMS?	Returns the number of subitems associated with this item
DIAg:LEVEL	Sets the current level of diagnostic test hierarchy
DIAg:LOOPS?	Returns the number of times the diagnostics were completed during the last execution
DIAg:NAME?	Returns the subsystem name, area, and test name of the current diagnostic test
DIAg:NAME:AREA?	Returns the selected area of the current diagnostic test
DIAg:NAME:SUBSYS?	Returns the subsystem of the current diagnostic test
DIAg:NAME:TEST?	Returns the name of the current diagnostic test
DIAg:NUMITEMS?	Returns the number of items on the currently selected level of test hierarchy
DIAg:RESults?	Returns a brief pass or fail status of the last test execution

Command	Description
DIAG:RESults:VERBose?	Returns a more explanatory message about the results of the last diagnostic execution
DIAG:SElect:ALL	Selects all available diagnostics
DIAG:SElect:AREA	Selects one of the available diagnostic areas
DIAG:SElect:LAST	Sets the last item of a group of items from the same level of test hierarchy
DIAG:SElect:SUBSYS	Selects one of the available diagnostic subsystems
DIAG:SElect:TEST	Selects one of the available diagnostic tests
DIAG:STATE	Sets the instrument operating state
DIAG:STOP	Terminates the execution of diagnostics
TEST	Selects and executes an item at any level of the test hierarchy
TEST:RESults?	Returns a brief pass or fail status of the last test execution
TEST:RESults:VERBose?	Returns a more explanatory message about the results of the last test execution
TEST:STOP	Terminates the execution of the test

Display Control Command Group

Use the commands in the Display Control Command Group to change the graticule style, the displayed intensities, and to set the characteristics of the waveform display.

You can set the display of date and time; cursor, histogram, mask, and measurement readouts; measurement annotations, and the mode in which waveforms are displayed.

There are six color palettes from which you can select:

- **Normal.** Displays hues and lightness levels for best overall viewing.
- **Temp.** Displays areas of the waveform with the highest sample density in warmer colors (red shades) while the areas of lowest sample density appear in cooler colors (blue shades).
- **Spectral.** Displays areas of the waveform with the highest sample density in blue shades while the areas of lowest sample density appear in red shades.
- **Green.** Displays waveforms in shades of green. Areas of the waveform with the highest sample density appear in lighter green shades while the areas of lowest sample density appear in darker green shades.
- **Gray.** Displays waveforms in shades of gray. Areas of the waveform with the highest sample density appear in lighter gray shades while the areas of lowest sample density appear in darker gray shades.
- **User** Allows you to create a customized color palette.

Use the commands to set the style that best displays your waveforms and graticule display properties. Note that the mode you choose globally affects all displayed waveforms.

Command	Description
DISplay?	Returns current display settings
DISplay:CLOCK	Sets or returns the display of the date/time stamp
DISplay:COLOR?	Returns color group settings
DISplay:COLOR:MATHCOLOR	Sets or returns the color to be used for math traces
DISplay:COLOR:PALETTE:IMAGEView	Sets or returns the color palette for imageview waveforms
DISplay:COLOR:PALETTE:RECORDView	Sets or returns the color palette for recordview waveforms
DISplay:COLOR:PALETTE:USER	Returns the user palette group settings
DISplay:COLOR:PALETTE:USER:CAREt	Sets or returns the user caret color
DISplay:COLOR:PALETTE:USER:CH<x>	Sets or returns the user palette channel colors
DISplay:COLOR:PALETTE:USER:GRATICule	Sets or returns the user palette graticule
DISplay:COLOR:PALETTE:USER:HISTogram	Sets or returns the user palette histogram color
DISplay:COLOR:PALETTE:USER:MASK	Sets or returns the user palette mask color
DISplay:COLOR:PALETTE:USER:MASKHighlight	Sets or returns the user palette mask hits color
DISplay:COLOR:PALETTE:USER:MATH<x>	Sets or returns the user palette math colors

Command	Description
DISplay:COLOr:PALEtte:USEr:REF<x>	Sets or returns the user palette reference colors
DISplay:COLOr:PALEtte:USEr:WAVEform	Sets or queries the user palette waveform colors
DISplay:COLOr:REFCOLOr	Sets or returns the color to be used for reference traces
DISplay:FILTer	Sets or returns the type of interpolation to use for the display
DISplay:FORMat	Sets or returns the display format
DISplay:GRATicule	Sets or returns the type of graticule that is displayed
DISplay:INTENSITy?	Returns the waveform and graticule saturation levels
DISplay:INTENSITy:WAVEform:IMAGEView	Sets or returns the waveform saturation level for imageview waveforms
DISplay:INTENSITy:WAVEform:RECORDView	Sets or returns the waveform saturation level for recordview waveforms
DISplay:PERsistence	Sets or returns display persistence setting
DISplay:PERsistence:RESET	Sets or returns the clearing of persistence data
DISplay:SCREENExt?	Returns all screen text settings
DISplay:SCREENExt:LABel<x>?	Sets or returns the screen text setting for a given label
DISplay:SCREENExt:LABel<x>:FONTCOLOr	Sets or queries the screen text label font color
DISplay:SCREENExt:LABel<x>:FONTNAme	Sets or queries the screen text label font name for a given label
DISplay:SCREENExt:LABel<x>:FONTSize	Sets or queries the screen text label font size for a given label
DISplay:SCREENExt:LABel<x>:FONTSTyle	Sets or queries the screen text label font style for a given label
DISplay:SCREENExt:LABel<x>:NAME	Sets the text to be displayed for a given label
DISplay:SCREENExt:LABel<x>:STATE	Sets or queries the screen text label state for a given label
DISplay:SCREENExt:LABel<x>:XPOS	Sets or returns the horizontal position of a given label
DISplay:SCREENExt:LABel<x>:YPOS	Sets or returns the vertical position of a given label
DISplay:SCREENExt:STATE	Sets or returns the state of the display of screen text
DISplay:SHOWREmote	Sets or queries the state of the remote display feature and is equivalent to selecting Display Remote from the Display menu

Command	Description
DISplay:STYLE	Sets or returns data display style
DISplay:TRIGBar	Sets or returns the display setting of the trigger level indicator bar(s)
DISplay:TRIGT	Sets or returns the display of the trigger point indicator
DISplay:VARpersist	Sets or returns the persistence decay time
DISplay:WAVEform	Sets or returns the display of waveform traces

E-mail Command Group

Commands in the E-mail group allow you to send e-mail to one or more designated recipients whenever a selected event, such as a trigger, mask test failure (Option MTM only), or a limit test failure occurs in the instrument.

Using this feature, you do not have to continually monitor the instrument for the event.

When an event occurs, the instrument will send an SMTP mail message to one or more designated recipients through the specified mail server. The message can include any of the following:

- Screen image
- Waveform data
- Measurement data at the time of the event

NOTE. *Your instrument must be connected to the Local Area Network (LAN) using Transfer C Protocol/Internet Protocol (TCP/IP). The recipient must also have an SMTP mail server. To send e-mail for a mask test failure, you must have Mask Testing (Option MTM) installed.*

Command	Description
EMail	Sends a test e-mail message or sets the current e-mail sent count to zero
EMail:ATTEMpts	Sets or queries the number of times that an attempt will be made to send e-mail to the SMTP e-mail server
EMail:AUTHLogin	Sets or queries the login name that will be used if the SMTP e-mail server requires one for authentication
EMail:AUTHPassword	Sets the password that will be used if the SMTP e-mail server requires one for authentication

Command	Description
EMail:COUNT?	Returns the number of e-mails that have been sent since Email on Event was armed
EMail:FRoM	Sets or queries the From line in the e-mail
EMail:HOSTwanted	Sets or queries the hostname that will be used when e-mail is sent to the SMTP e-mail server
EMail:IMAGe	Sets or queries whether image data is included in the e-mail
EMail:MASK	Sets or queries whether e-mail is sent when a mask test failure occurs
EMail:MAXSize	Sets or queries the maximum size (in megabytes) of e-mail that can be sent to the SMTP server
EMail:MEASUrement	Sets or queries whether measurement data is included in the e-mail
EMail:NUMEMails	Sets or queries the number e-mails that can be sent when Email onEvent is armed
EMail:SMTPPort	Sets or queries the SMTP port number that the e-mail server uses
EMail:SMTPServer	Sets or queries the address of the SMTP mail server
EMail:STATUS?	Queries the status of e-mail
EMail:TIMEOut	Sets or queries the global timeout in seconds
EMail:TO	Sets or queries the address of the recipient(s) of an e-mail. Multiple addresses are separated with a semicolon (;)
EMail:TRIGger	Sets or queries whether e-mail is sent when a trigger occurs
EMail:WAVEform	Sets or queries whether waveform data is included in the e-mail

File System Command Group

Use the commands in the File System Command Group to help you use the built-in hard disk drive. You can use the commands to do the following:

- List the contents of the default directory
- Create and delete directories
- Create, copy, read, rename, or delete a file

When using these commands, keep the following points in mind:

- File arguments are always enclosed within double quotes:
“C:\MYDIR\TEK00001.SET”
- File names follow the MSDOS format: [DRIVE:][\PATH\]filename
- Path separators may be either forward slashes (/) or back slashes (\)

NOTE. *Using back slash as a path separator may produce some unexpected results, depending on how your controller application treats escaped characters. Many applications recognize the sequence of back slash followed by an alphabetic character as an escaped character, and, as such, interpret that alphabetic character as a control character. For example, the sequence “\n” may be interpreted as a newline character; “\t” may be interpreted as a tab character. To ensure that this interpretation does not occur, you can use double back slashes. For example, “C:\\testfile.txt”.*

- Some FILESystem commands may fail because a file has read-only attributes. You will not be able to delete or replace such files until this attribute is removed. Refer to the operating system help on file properties for further information.

Command	Description
FILESystem?	Returns the file system state
FILESystem:COpy	Copies one or more files to a new file
FILESystem:CWD	Sets or returns the current working directory for FILESystem GPIB commands
FILESystem:DELEte	Deletes a named file or directory
FILESystem:DIR?	Returns a list of directory contents
FILESystem:MKDir	Makes a new directory
FILESystem:PRInt	Prints a named file to the named port
FILESystem:READFile	Copies the named file to the GPIB port
FILESystem:REName	Assigns a new name to an existing file
FILESystem:RMDir	Deletes the named directory
FILESystem:WRITEFile	Copies the GPIB port block data to a named file

Hard Copy Command Group

Hard Copy commands enable you to make hard copies of data files or send the data to a specified file. In addition, these commands provide you with information about (and the ability to set) file path settings.

Command	Description
EXPort	Copies a waveform to a specified file or returns formatting and file information
EXPort:FILEName	Sets or returns the export file path
EXPort:FORMat	Sets or returns the export image format
EXPort:PALEtte	Sets or returns the export color palette
EXPort:READOuts	Sets or returns the position of the readouts for export
EXPort:VIEW	Sets or returns the export screen capture area
HARDCopy	Sends a screen copy to the selected port or returns the selected port and file path
HARDCopy:FILEName	Sets or returns the hard copy file path
HARDCopy:LAYout	Sets or returns the page orientation for hard copy
HARDCopy:PALEtte	Sets or returns the hard copy color palette
HARDCopy:PORT	Sets or returns whether the hard copy data will be sent to a file or printed on the next hard copy command
HARDCopy:READOuts	Sets or returns the position of the readouts for hardcopy
HARDCopy:VIEW	Sets or returns the area of the screen to be hardcopied

Histogram Command Group

Histogram commands let you select the type of histogram, what part of the waveform should go into the histogram, and histogram statistics. Use commands from this group to do the following:

- Create a histogram of vertical or horizontal values for a channel, math, or reference waveform
- Adjust the limits of the waveform area from which the histogram data is obtained
- Clear histogram count and restart
- Retrieve the histogram data

Command	Description
HIStogram?	Returns all histogram parameters
HIStogram:BOX	Sets or returns the left, top, right, and bottom positions of the histogram box, in source waveform coordinates

Command	Description
HIStogram:BOXPcnt	Sets or returns same as HIStogram:BOX, but in percentage coordinates, with 0,0 upper left and 100,100 lower right
HIStogram:COUNT	Clears histogram count source data and restarts counting
HIStogram:DATA?	Returns a comma-separated list of histogram data numbers
HIStogram:DISplay	Sets or returns whether histogram data is displayed and the current display type setting
HIStogram:FUNCTion	Sets the type of histogram to create Or returns the current histogram type
HIStogram:MODE	Sets type of histogram to create or turns histograms off Or returns the current histogram type or that histogram display is disabled
HIStogram:SIZE	Sets or returns the width (or height) of the histogram on the screen in divisions
HIStogram:SOUrce	Sets or returns which source waveform will be compared against the histogram box when the histogram testing is enabled
HIStogram:STATE	Sets or returns whether histogram calculations are enabled

Horizontal Command Group

Horizontal commands control the time bases of the instrument. You can set the time per division (or time per point) of the main time base. You can use the Horizontal commands to do the following:

- Set the scale, horizontal position and reference, and units of the time base
- Get the screen resolution, time of first point and time of last point, or get all the horizontal settings
- Enable or disable the display of the time base

You may substitute SECdiv for SCALE in the horizontal commands. This provides program compatibility with earlier models of Tektronix instruments.

Command	Description
HORizontal?	Returns all learnable settings for the horizontal commands
HORizontal:ACQDURATION?	Returns the time base duration
HORizontal:ACQLENGTH?	Returns the record length

Command	Description
HORizontal:DIVisions?	Returns the number of graticule divisions over which the waveform is displayed
HORizontal:FASTframe?	Returns all settings for the horizontal FastFrame commands
HORizontal:FASTframe:COUNT	Sets or returns the FastFrame frame count
HORizontal:FASTframe:MAXFRames?	Sets or returns the horizontal record length to the number of sample points in each frame
HORizontal:FASTframe:MULtipleframes:FRAMEStart:<wfm>	Returns the maximum number of FastFrame frames which can be acquired at the current frame length
HORizontal:FASTframe:MULtipleframes:MODE	Sets or returns the start frame number on the specified waveform for FastFrame multiple frames
HORizontal:FASTframe:MULtipleframes:NUMFRames:<wfm>	Sets or returns the mode for FastFrame multiple frames
HORizontal:FASTframe:MULtipleframes:NUMFRames:<wfm>	Sets or returns the number of frames on the specified waveform for FastFrame multiple frames
HORizontal:FASTframe:REF:FRame	Sets or returns the FastFrame reference frame number
HORizontal:FASTframe:REF:SOUrce	Sets or returns the FastFrame Reference waveform source
HORizontal:FASTframe:SELECTED:CH<x>	Sets or returns the FastFrame selected frame number on the specified waveform
HORizontal:FASTframe:SELECTED:MATH<x>	Sets or returns the FastFrame selected frame number on the specified waveform.
HORizontal:FASTframe:SELECTED:REF<x>	Sets or returns the FastFrame selected frame number on the specified waveform
HORizontal:FASTframe:SELECTED:SOUrce	Sets or returns the FastFrame source waveform
HORizontal:FASTframe:SEQUence	Sets or returns the FastFrame source waveform
HORizontal:FASTframe:STATE	Sets or returns the state of FastFrame acquisition
HORizontal:FASTframe:SUMFrame	Sets or returns the summary frame mode
HORizontal:FASTframe:TIMEStamp:ALL:<wfm>?	Returns the frame number and time stamp for each frame between requested frames, inclusive, within the specified waveform
HORizontal:FASTframe:TIMEStamp:BETWEn:<wfm>?	Returns the relative trigger for the delta time between the specified frames, within the specified waveform

Command	Description
<code>HORizontal:FASTframe:TIMEStamp:DELTA:<wfm>?</code>	Returns the relative time between the triggers of the FastFrame Selected and the FastFrame Reference, within the specified waveform
<code>HORizontal:FASTframe:TIMEStamp:FRAMe:<wfm>?</code>	Returns the absolute trigger date and time for the specified frame and waveform
<code>HORizontal:FASTframe:TIMEStamp:REF?</code>	Returns the absolute trigger date and time for the FastFrame specified reference waveform
<code>HORizontal:FASTframe:TIMEStamp:SELECTED:<wfm>?</code>	Returns the absolute trigger date and time for the FastFrame Selected, within the specified waveform
<code>HORizontal:FASTframe:TRACk</code>	Sets up or returns the state of FastFrame tracking
<code>HORizontal:FASTframe:XZEro:ALL:CH<x>?</code>	Returns the time from the trigger to the start of the specified frames on the specified channel
<code>HORizontal:FASTframe:XZEro:ALL:REF<x>?</code>	Returns the time from the trigger to the start of the specified frames on the specified reference
<code>HORizontal:FASTframe:XZEro:FRAMe:CH<x>?</code>	Returns the time from the trigger to the start of the specified frame on the specified channel
<code>HORizontal:FASTframe:XZEro:FRAMe:REF<x>?</code>	Returns the time from the trigger to the start of the specified frame on the specified reference
<code>HORizontal:FASTframe:XZEro:REF?</code>	Sets or returns the time from the trigger to the trigger sample on the reference waveform
<code>HORizontal:FASTframe:XZEro:SELECTED:CH<x>?</code>	Sets or returns the time from the trigger to the trigger sample on the selected channel
<code>HORizontal:FASTframe:XZEro:SELECTED:REF<x>?</code>	Sets or returns the time from the trigger to the trigger sample on the selected reference waveform
<code>HORizontal:MAIn?</code>	Returns the time per division of the main time base
<code>HORizontal[:MAIn]:DELay:MODE</code>	Sets or returns the main time base trigger delay mode
<code>HORizontal[:MAIn]:DELay:POSition</code>	Sets or returns the main time base position when Horizontal Delay Mode is turned off
<code>HORizontal[:MAIn]:DELay:TIME</code>	Sets or returns the main time base trigger delay time
<code>HORizontal:MAIn:INTERPRatio?</code>	Returns the main horizontal time base interpolation ratio
<code>HORizontal[:MAIn]:POSition</code>	Sets or returns the waveform horizontal position on the display

Command	Description
HORizontal:MAIn:UNIts	Sets or returns the units for the horizontal time base
HORizontal:MAIn:UNIts:STRing	Sets or returns the units string for the horizontal main time base trigger delay
HORizontal:MODE	Sets or queries the horizontal mode. Auto mode is the factory default
HORizontal:MODE:AUTO:LIMITrecordlen	Sets or queries the record length limit used by the auto horizontal mode
HORizontal:MODE:RECOrdlength	Sets or queries the record length
HORizontal:MODE:SAMPLERate	Sets or queries the sample rate
HORizontal:MODE:SCALE	Sets or queries the horizontal scale
HORizontal:ROLL	Sets or returns the horizontal roll mode status
HORizontal:TIMEStamp:CH<x>?	Returns the absolute trigger date and time for the specified frame and waveform
HORizontal:TIMEStamp:REF<x>?	Returns the absolute trigger date and time for FastFrame reference

Limit Test Command Group

Use the commands in the Limit Test Command Group to perform limit testing by selecting channel, math, or reference waveforms and comparing them against a template waveform.

Command	Description
LIMit?	Returns all settings for the Limit commands
LIMit:BEEP	Causes the instrument to beep when the waveform data exceeds the limits set in the limit test
LIMit:COMpare	Resets the limit test comparison template
LIMit:COMpare:CH<x>	Sets or queries the template against which to compare the waveform acquired from the channel specified by x
LIMit:COMpare:MATH<x>	Sets or queries the template against which to compare the math waveform specified by x
LIMit:COMpare:REF<x>	Sets or queries the template against which to compare the reference waveform specified by x
LIMit:EMail	Sets or queries whether an E-mail is generated when the source waveform data exceeds the limits specified for the limit test

Command	Description
LIMit:HARDCopy	Sets or queries whether a hard copy operation is executed on the waveform when any waveform data exceeds the limit set in the limit test. LIMit:STATE must be set to ON for the hard copy operation to execute
LIMit:HIGHLIGHTHits	Sets or queries whether violation highlighting occurs when limit testing is active, and, if the RESET argument is set, clears the highlighting
LIMit:HIGHLIGHTHits:RESet	Resets the hits highlighting for limit testing
LIMit:LOCK	Sets or queries whether vertical scaling and positioning affect both source and template for template comparison pairs
LIMit:LOG	Sets or queries whether a log file is saved when the source waveform data exceeds the test limits
LIMit:SAVEWFM	Sets or queries whether the source waveform is saved when the source waveform data exceeds the test limits
LIMit:SAVEWFM:FILEName	Sets or queries the path where waveforms or log files will be saved when the waveform data exceeds the limits set by the limit test
LIMit:SRQ	Sets or queries whether a Service Request Interrupt (SRQ) is generated when the waveform data falls outside of the test limits
LIMit:STATE	Sets limit testing on or off or queries whether limit testing is in effect
LIMit:STATus?	Queries the state of limit testing
LIMit:STOPOnviolation	Sets or queries whether acquisitions are stopped when the waveform data exceeds the test limits
LIMit:TEMPlate:STORE	Saves the specified source waveform to the specified reference or file name
LIMit:TEMPlate:TOLerance:HORizontal	Sets or queries the amount, in units of horizontal divisions, by which the source waveform is varied horizontally when creating the destination waveform
LIMit:TEMPlate:TOLerance:VERTical	Sets or queries the amount, in units of vertical divisions, by which the source waveform is varied vertically when creating the destination waveform

Command	Description
LIMit:TEMPlate:DESTination	Sets or queries destination reference waveform that the limit template
LIMit:TEMPlate:SOUrce	Sets or queries the channel, math waveform, or reference waveform that the LIMit:TEMPlate:STORe command will use

Low Speed Serial Trigger Command Group

DPO7000 Series only: Use the commands in the Low Speed Serial Trigger Command Group to control serial triggering for the instrument. CAN trigger commands are only available with the CAN option.

Command	Description
TRIGger:A:CAN:CONDition	Sets or returns the CAN condition
TRIGger:A:CAN:DATA:DIRection	Sets or queries the CAN trigger condition to be valid on a READ, WRITE, or either
TRIGger:A:CAN:FORMat	Sets or queries the CAN data format
TRIGger:A:CAN:DATA:LEVel	Sets or queries the CAN Trigger threshold for the CAN data source
TRIGger:A:CAN:DATA:SOUrce	Sets or queries the CAN data source
TRIGger:A:CAN:DATA:VALue	Sets or queries the binary data string used for CAN Trigger if the trigger condition is ID or IDANDDATA
TRIGger:A:CAN:FRAMeType	Sets or queries the CAN trigger frame type
TRIGger:A:CAN:IDENTifier:MODE	Sets or queries the CAN trigger identifier mode
TRIGger:A:CAN:IDENTifier:VALue	Sets or queries the binary address string used for the CAN trigger if the trigger condition is ID or IDANDDATA
TRIGger:A:CAN:PROBE	Sets or queries the probing method used to probe the CAN signal
TRIGger:A:CAN:SPEEd	Sets or queries the bit rate of the CAN system
TRIGger:A:I2C:ADDRess:MODE	Sets or queries the I2C address mode to 7 or 10-bit
TRIGger:A:I2C:ADDRess:RWINclude	Sets or queries the I2C address mode to include the read/write bit as an additional 8th bit of the 7-bit address
TRIGger:A:I2C:ADDRess:TYPE	Sets or queries the I2C address type
TRIGger:A:I2C:ADDRess:VALue	Sets or queries the binary address string used for the I2C trigger if the trigger condition is ADDR or ADDRANDDATA

Command	Description
TRIGger:A:I2C:CLOCK:LEVel	Sets or queries the clock source for the I2C Serial Trigger
TRIGger:A:I2C:CLOCK:SOUrce	Sets or queries the clock source for the I2C Serial Trigger
TRIGger:A:I2C:CONDition	Sets or queries the trigger condition for the I2C trigger
TRIGger:A:I2C:DATa:DIRection	Sets or queries the I2C trigger condition valid on a READ, WRITE, or either
TRIGger:A:I2C:DATa:LEVel	Sets or queries the threshold level for the I2C data source
TRIGger:A:I2C:DATa:SOUrce	Sets or queries the data source for the I2C serial trigger
TRIGger:A:I2C:DATa:STARt	Sets or queries the data start byte
TRIGger:A:I2C:DATa:VALue	Sets or queries the binary data string used for I2C triggering if the trigger condition is DATA or ADDRANDDATA
TRIGger:A:I2C:FORMat	Sets or queries the display format for the I2C data value
TRIGger:A:RS232:BAUd	Sets or queries the baud rate for RS232 triggering
TRIGger:A:RS232:DATa:LEVel	Sets or queries the threshold for the RS232 data source
TRIGger:A:RS232:DATa:SOUrce	Sets or queries the RS232 data source
TRIGger:A:RS232:DATa:VALue	Sets or queries the binary data string used for RS232 triggering
TRIGger:A:RS232:FORMat	Sets or queries the display format for the RS232 data value
TRIGger:A:RS232:PARity	Sets or queries the state of the RS232 parity bit
TRIGger:A:SERIAL:BITRate	Sets or queries the clock/data bit rate
TRIGger:A:SERIAL:CLOCK:LEVel	Sets or queries the serial trigger clock level
TRIGger:A:SERIAL:CLOCK:POLarity	Sets or queries the serial clock polarity
TRIGger:A:SERIAL:CLOCK:SOUrce	Sets or queries the serial data source channel
TRIGger:A:SERIAL:CODE	Sets or queries the signal code
TRIGger:A:SERIAL:DATa:FORMat	Sets or queries how the Pattern string is formatted
TRIGger:A:SERIAL:DATa:PATtern	Sets or queries the data pattern to allow up to 64 bit serial patterns
TRIGger:A:SERIAL:LOCKLen	Sets or queries the length in bits of the repeating bit pattern for pattern lock trigger
TRIGger:A:SERIAL:LOCKOffset	Sets or queries the current bit offset into the pattern lock trigger bit pattern

Command	Description
TRIGger:A:SERIAL:SOURce	Sets or queries the serial data source channel
TRIGger:A:SERIAL:STANdard	Sets or queries the standard that identifies the code and bit rate
TRIGger:A:SERIAL:TRIGgeron	Sets or queries the trigger on a designated arbitrary bit pattern or lock on a repeating pattern of known length
TRIGger:A:SPI:CONDition	Sets or queries the trigger condition for SPI triggering
TRIGger:A:SPI:DATA:MISO:ACTIVE	Sets or queries the SPI MISO polarity
TRIGger:A:SPI:DATA:MISO:LEVel	Sets or queries the threshold for the SPI MISO data source
TRIGger:A:SPI:DATA:MISO:SOURce	Sets or queries the MISO data source for the SPI trigger
TRIGger:A:SPI:DATA:MISO:VALue	Sets or queries the binary data string used for the SPI trigger if the trigger condition is set to MISO or MISOMOSI
TRIGger:A:SPI:DATA:MOSI:ACTIVE	Sets or queries the SPI MOSI polarity
TRIGger:A:SPI:DATA:MOSI:LEVel	Sets or queries the threshold for the SPI MOSI data source
TRIGger:A:SPI:DATA:MOSI:SOURce	Sets or queries the MOSI data source for the SPI trigger
TRIGger:A:SPI:DATA:MOSI:VALue	Sets or queries the binary data string used for the SPI trigger if the trigger condition is set to MOSI or MISOMOSI
TRIGger:A:SPI:DATA:STARt	Sets or queries the nth data byte on the data source after the signal on the enable slave source switches to the polarity specified by the Slave Select Polarity
TRIGger:A:SPI:FORMat	Sets or queries the SPI trigger data format
TRIGger:A:SPI:SCLK:ACTIVE	Sets or queries the SPI SCLK polarity
TRIGger:A:SPI:SCLK:LEVel	Sets or queries the threshold for the SPI trigger SCLK
TRIGger:A:SPI:SCLK:SOURce	Sets or queries the SPI SCLK source
TRIGger:A:SPI:SS:ACTIVE	Sets or queries the SPI trigger Slave Select (SS) polarity
TRIGger:A:SPI:SS:LEVel	Sets or queries the threshold for the SPI trigger Slave Select (SS) signal
TRIGger:A:SPI:SS:SOURce	Sets or queries the SPI trigger Slave Select (SS) source

Mask Command Group

Use the commands in the Mask Command Group to compare incoming waveforms against standard or user-defined telecommunications masks. Standard masks are only available when option MTM is installed. Without option MTM, you need to define your masks. When the instrument detects waveforms that fall inside or outside of the mask limits, it can perform tasks such as generating hard copy, saving the waveform, emitting a beep or an SRQ, stopping and waiting for your input, sending an E-mail message with specified data, logging the time/date of the acquired waveform, or some combination of these actions.

A mask is a set of polygonal regions on the screen. Every vertical line of the screen intersects the polygon in zero, one, or two places, but never in more than two places. (A vertical line that intersects a vertical mask border is counted.) You have to break up more complicated polygons into two separate segments. Unlike limit testing, the inside of a mask is the region where waveform data would not normally fall. A telecommunications standard requires up to eight of these segments. Pulse standards always have two segments. Standards with eye patterns usually have three masks, but some have four.

You use the commands in the Mask Command Group to do the following:

- Specify the waveform source to test and the mask to use.
- Specify whether to use, and the size of, mask margins, which allow you to shrink or expand an existing set of polygons by a specified percentage.
- Specify whether to display a readout of hits and the mask on screen. Options also exist for auto fitting the incoming waveforms to match the mask you choose.
- Select industry-standard masks that support a variety of electrical and optical communication standards (available only with option MTM).
- Define and edit your own custom mask; create an entirely new mask, or use a standard mask (option MTM only) as a starting reference, and edit it to meet your needs.
- Enable, disable, or reset the mask counts. Once you turn on mask counting, it remains on until you explicitly turn it off.

Option MTM also provides communication trigger commands that you can use in conjunction with the mask commands, such as TRIGger:A:TYPE Communication. Refer to the Trigger Command Group.

Command	Description
MASK?	Returns the states of all settable mask parameters
MASK:AUTOAdjust	Optimizes signal position within the mask to minimize hits

Command	Description
MASK:AUTOAdjust:HDELTA	Sets or returns how far autofit searches horizontally
MASK:AUTOAdjust:VDELTA	Sets or returns how far autofit searches vertically
MASK:AUTOSet:AUTOAdjust	Controls what happens at the end of a mask autose. If ON, the horz/vert auto adjustment is run ONCE to potentially improve the result of mask autose
MASK:AUTOSet:HPOS	Controls whether the algorithm will attempt to change the horizontal position of the signal while attempting to autose
MASK:AUTOSet:HSCALE	Controls whether the algorithm will attempt to change the horizontal scale while attempting to autose
MASK:AUTOSet:MODE	Controls whether an autose will be automatically done after a standard mask is selected
MASK:AUTOSet:OFFSETAdj	Sets autose not to enforce the rule that, for pulse standards, requires 0 V to be in a certain place in the mask. Instead, autose will attempt to measure the DC offset in the signal and use scope offset or position controls to compensate for the DC offset in the signal
MASK:AUTOSet:STANDARD	Selects the standard mask in autose
MASK:AUTOSet:TRIGGER	Controls if a MASK:AUTOSet affects the trigger level
MASK:AUTOSet:USER:ONE	Sets or returns the level 1 used by autose for user masks
MASK:AUTOSet:USER:TYPE	Sets or returns how autose scales a mask
MASK:AUTOSet:USER:ZERO	Sets or returns the level 0 used by autose for user masks
MASK:AUTOSet:VPOS	Controls whether the autose algorithm will affect the vertical position (or offset) of the signal while attempting to autose
MASK:AUTOSet:VSCALE	Controls whether the autose algorithm will attempt to change the vertical scale while attempting to autose
MASK:COPY:USER	Copies the currently displayed mask to the User mask
MASK:COUNT	Resets to zero the number of hits for all mask segments on the specified source
MASK:COUNT:FAILURES?	Returns the number of pass/fail tests that have failed

Command	Description
MASK:COUNT:HITS?	Returns the total number of mask hits on all mask segments
MASK:COUNT:SEG<m>:HITS?	Returns the number of hits in mask segment <m>
MASK:COUNT:STATE	Sets or returns the mask hits count state
MASK:COUNT:TESTS?	Returns the number of pass/fail tests that have occurred
MASK:COUNT:TOTAL?	Returns the sum of all hits in all mask segments
MASK:COUNT:VIOLATIONS?	Returns the number of test violations that have occurred in the current pass/fail test
MASK:COUNT:WAVEFORMS?	Returns the number of waveforms that have been acquired and processed during pass/fail testing
MASK:DISplay	Sets or returns whether the defined masks are displayed on the screen
MASK:FILTER	Sets or returns whether the selected optical reference receiver mask filter is enabled
MASK:HIGHLIGHTHits	Sets or returns whether the hits in a mask are highlighted in different colors than other waveform data
MASK:INVert	Controls whether the mask is drawn inverted
MASK:LOCK	Sets or returns the mask lock to waveform mode
MASK:MARGIN:PERCent	Sets or queries the mask margin percentage
MASK:MARGIN:STATE	Sets or returns the state of the mask margins
MASK:MASKPRE:AMPLitude	Sets or returns the current mask's nominal pulse amplitude in volts
MASK:MASKPRE:HSCALE	Sets or returns the nominal timing resolution used to draw the current mask, in time/division
MASK:MASKPRE:HTRIGPOS	Sets or returns the nominal trigger position (pulse leading edge) used to draw the current mask as a fraction of the display width
MASK:MASKPRE:PATTERNBITS	Sets or returns the number of bits used for serial trigger for the current mask standard
MASK:MASKPRE:PRESAMPBITS	Sets or returns the number of bits before the (isolated one) pulse leading edge in the serial trigger pass/fail testing
MASK:MASKPRE:RECORDlength	Sets or returns the nominal record length for pulse mask testing
MASK:MASKPRE:TRIGTOSAMP	Sets or returns the time, in seconds, from the (leading edge) trigger position to the pulse bit sampling position

Command	Description
MASK:MASKPRE:VOFFSet	Sets or returns the nominal vertical offset, in volts, used to vertically offset the input channels
MASK:MASKPRE:VPOS	Sets or returns the nominal vertical position, in divisions, used to vertically position the input channels
MASK:MASKPRE:VSCAle	Sets or returns the nominal vertical scale, in volts per division, used to vertically scale the input channels
MASK:MASKPRE:WIDth	Sets or returns the nominal bit width in seconds
MASK:POLarity	Sets or returns the input waveform polarity for the pass/fail test
MASK:SEG<m>	Deletes the specified mask segment from the Current mask
MASK:SEG<m>:NR_Pt?	Returns the number of points that make up the specified mask segment of the Current mask
MASK:SEG<m>:POINTS	Sets or returns the X-Y user coordinates of all points in the Current mask segment
MASK:SOUrce	Sets or reports which source will be compared against the mask(s) when counting is turned on
MASK:STANdard	Deletes the existing mask and sets the selected standard mask
MASK:STOPOnviolation	Sets or returns the stop on violation setting
MASK:TESt:AUX:COMPLetion	Sets or returns the test:aux on pass/fail test completion mode
MASK:TESt:AUX:FAILure	Sets or returns the test:aux status on pass/fail test failure mode
MASK:TESt:BEEP:COMPLetion	Sets or returns the beep on pass/fail test completion mode
MASK:TESt:BEEP:FAILure	Sets or returns the beep status on pass/fail test failure mode
MASK:TESt:DELay	Sets or returns the amount of time, in seconds, to wait after starting pass/fail testing to evaluate waveforms
MASK:TESt:HARDCopy	Sets or returns the hard copy in pass/fail failure mode
MASK:TESt:LOG:FAILure	Sets or returns the log status on pass/fail test failure mode
MASK:TESt:REPeat	Sets or returns the repeat pass/fail test on completion mode

Command	Description
MASK:TEST:SAMple	Sets or returns the minimum number of waveform database (WfmDB) points the instrument can acquire before it stops a single sequence acquisition or stops running a mask test
MASK:TEST:SAMple:THReshold	Sets or returns the minimum number of hits in mask regions needed to cause the pass/fail status to change from PASSING to FAILING
MASK:TEST:SAVEWFM	Sets or returns the save waveform to file on failure setting
MASK:TEST:SAVEWFM:FILEName	Sets or returns the name of the directory and file to use with the MASK:TEST:SAVEWFM command
MASK:TEST:SRQ:COMPLetion	Sets or returns an SRQ on pass/fail test completion mode
MASK:TEST:SRQ:FAILure	Sets or returns the SRQ status on pass/fail test failure mode
MASK:TEST:STATE	Sets or returns the state of mask pass/fail testing
MASK:TEST:STATUS?	Returns the pass/fail test status
MASK:TEST:STOP:FAILure	Sets or returns the stop status on pass/fail test failure mode
MASK:TEST:THReshold	Sets or returns the number of failed tested waveforms needed in each pass/fail test to cause the pass/fail status to change from PASSING to FAILING
MASK:TEST:WAVEform	Sets or returns the number of waveforms to test during pass/fail testing
MASK:USER:AMPlitude	Sets or returns the current mask's nominal pulse amplitude in volts
MASK:USER:BITRate	Sets or returns the user mask's bit rate
MASK:USER:HSCAlE	Sets or returns the nominal timing resolution used to draw the mask, in time/division
MASK:USER:HTRIGPOS	Sets or returns the nominal trigger position (pulse leading edge) used to draw the mask as a fraction of the display width
MASK:USER:LABel	Sets or returns the label assigned to a user mask
MASK:USER:PATTERNBITS	Sets or returns the number of bits used for serial trigger for the User mask standard
MASK:USER:PRESAMPBITS	Sets or returns the number of bits before the (isolated one) pulse leading edge in the serial trigger pass/fail testing

Command	Description
<code>MASK:USER:RECOrdlength</code>	Sets or returns the nominal record length for pulse mask testing
<code>MASK:USER:SEG<m></code>	Deletes the specified mask segment from the User mask
<code>MASK:USER:SEG<m>:NR_Pt?</code>	Returns the number of points that make up the specified User mask segment
<code>MASK:USER:SEG<m>:POINTS</code>	Sets or returns the X-Y user coordinates of all points in the specified User mask segment
<code>MASK:USER:TRIGTOSAMP</code>	Sets or returns the time, in seconds, from the (leading edge) trigger position to the pulse bit sampling position
<code>MASK:USER:VOFFSet</code>	Sets or returns the nominal vertical offset, in volts, used to vertically offset the input channels
<code>MASK:USER:VPOS</code>	Sets or returns the nominal vertical position, in divisions, used to vertically position the input channels
<code>MASK:USER:VSCALE</code>	Sets or returns the nominal vertical scale, in volts per division, used to vertically scale the input channels
<code>MASK:USER:WIDTH</code>	Sets or returns the nominal bit width in seconds
<code>RECALL:MASK</code>	Recalls a stored mask as the User mask
<code>SAVE:MASK</code>	Saves the User mask to a mass storage file

Math Command Group

Use the commands in the Math Command Group to create and define math waveforms. You can define and display up to four math waveforms simultaneously on four channel models and up to two on two channel models. Use the available math functions to define your math waveform.

The math waveform you create depends on sources listed in the math expression. If you change these sources, the math waveforms you previously defined will be affected.

Math expressions can be simple, containing no mathematical computation, such as CH1, which specifies that a waveform shows the signal source of channel 1. Math expressions can also be complex, consisting of 100 plus characters and comprising many sources, functions, and operands.

The acquisition of a live waveform can stop for several reasons: You can turn off the channel, stop the waveform (via Run/Stop from the Horiz/Acq menu), or stop the trigger (via Run/Stop from the Trig menu). When you turn off the channel, math continues and data is acquired but is not displayed. When you stop either the

waveform or the trigger, the math calculation stops, and the last math calculation performed is displayed.

When a live waveform update or reference waveform is altered, math waveforms containing those waveforms as sources are also updated to reflect the changes. Also, sources must exist but do not need to be displayed to be used in and to update math waveforms.

Command	Description
MATH<x>?	Returns the specified math waveform settings
MATH<x>:DEFine	Sets or returns the math<x> waveform definition for the specified waveform
MATH<x>:FILTer:MODE	Sets or returns the filter rise time parameter (centered or shifted)
MATH<x>:FILTer:RISetime	Sets or returns the filter rise time parameter
MATH<x>:LABel:NAME	Sets or returns the label string used for annotating the displayed math waveform
MATH<x>:LABel:XPOS	Sets or returns the X screen offset where the math waveform label is displayed
MATH<x>:LABel:YPOS	Sets or returns the Y screen offset where the math waveform label is displayed
MATH<x>:NUMAVg	Sets or returns the acquisition number at which the averaging algorithm will begin exponential averaging
MATH<x>:SPECTral?	Returns the specified math waveform spectral setups
MATH<x>:SPECTral:CENTER	Sets or returns the center frequency of the spectral analyzer output data span
MATH<x>:SPECTral:GATEPOS	Sets or returns the position of the center of the gate
MATH<x>:SPECTral:GATEWIDTH	Sets or returns the gate width input to the spectral analyzer
MATH<x>:SPECTral:LOCK	Sets or returns the state of the spectral locking for the specified math waveform
MATH<x>:SPECTral:MAG	Sets or returns the units of the SpectralMag function in the specified math string
MATH<x>:SPECTral:PHASE	Sets or returns the units of the SpectralPhase function in the specified math string
MATH<x>:SPECTral:REFLevel	Sets or returns the vertical position of the output data from the spectral analyzer
MATH<x>:SPECTral:REFLEVELOffset	Sets or returns the spectral reference level offset used for calculating the dB value
MATH<x>:SPECTral:RESBw	Sets or returns the resolution bandwidth of the spectral analyzer

Command	Description
MATH<x>:SPECTral:SPAN	Sets the top of the frequency span to a value that is closest to the specified value Or returns the specified math waveform's current frequency span value
MATH<x>:SPECTral:SUPPress	Sets or returns the phase suppression threshold
MATH<x>:SPECTral:UNWRap	Enables or disables or returns the state of the phase unwrap of the spectral analyzer output data
MATH<x>:SPECTral:WINDow	Sets or returns the window function used to multiply the input data to the spectral analyzer
MATH<x>:UNITString	Sets or returns the units used for the math waveform; command overrides the default unit string
MATH<x>:VERTical:POSition	Sets or returns the specified math waveform vertical position
MATH<x>:VERTical:SCALE	Sets or returns the specified math waveform vertical scale (per div)
MATHArbfit<x>:FILEpath	Sets the file path for a file of filter coefficients and reads the file
MATHArbfit<x>:READFile	Forces a reread of the filter file for the specified arbitrary filter
MATHVAR?	Sets or returns all 8 numerical values you can use within math expressions
MATHVAR:VAR<x>	Sets or returns a numerical value you can use within math expressions

Measurement Command Group

Use the commands in the Measurement Command Group to control the automated measurement system.

Up to eight automated measurements can be displayed on the screen. In the commands, these measurement readouts are named MEAS<x>, where <x> can be 1 through 8.

In addition to the eight displayed measurements, the measurement commands let you specify an additional measurement, IMMEd. The immediate measurement has no front-panel equivalent. Immediate measurements are never displayed. Because they are computed only when needed, immediate measurements slow the waveform update rate less than displayed measurements.

Whether you use displayed or immediate measurements, use the VALue query to obtain measurement results.

Measurement commands can set and query measurement parameters. You can assign parameters, such as waveform sources and reference levels, differently for each measurement.

Command	Description
MEASUrement?	Returns all measurement parameters
MEASUrement:ANNOtation:IMMEDStAte	Sets or returns the state of immediate measurement annotation
MEASUrement:ANNOtation:NUMX?	Returns the number of horizontal measurement annotations being displayed
MEASUrement:ANNOtation:NUMY?	Returns the number of vertical measurement annotations being displayed
MEASUrement:ANNOtation:StAte	Sets or returns the state of visible measurement annotations
MEASUrement:ANNOtation:TYPe	Sets or returns the type of annotations being used
MEASUrement:ANNOtation:X<x>?	Returns the value of the specified annotation
MEASUrement:ANNOtation:Y<x>?	Returns the value of the specified annotation
MEASUrement:GATing	Sets or returns the measurement gating
MEASUrement:IMMed?	Returns all immediate measurement setup parameters
MEASUrement:IMMed:DELay?	Returns information about the immediate delay measurement
MEASUrement:IMMed:DELay:DIREction	Sets or returns the search direction to use for immediate delay measurements
MEASUrement:IMMed:DELay:EDGE[1]	Sets or returns the slope of the edge used for immediate delay "from" waveform measurements
MEASUrement:IMMed:DELay:EDGE2	Sets or returns the slope of the edge used for immediate delay "to" waveform measurements
MEASUrement:IMMed:MEtHod	Specifies or queries the method used to calculate the 0% and 100% reference level for immediate measurements
MEASUrement:IMMed:NOISe	Sets or returns the location of the noise measurement on the eye waveform
MEASUrement:IMMed:REFLevel?	Returns the reference levels
MEASUrement:IMMed:REFLevel:ABSolute:HIGH	Sets or returns the high reference level
MEASUrement:IMMed:REFLevel:ABSolute:LOW	Sets or returns the low reference level
MEASUrement:IMMed:REFLevel:ABSolute:MID<x>	Sets or returns the middle reference levels
MEASUrement:IMMed:REFLevel:MEtHod	Sets or returns the method used to calculate measurements

Command	Description
MEASUrement:IMMed:REFLevel:PERCent:HIGH	Sets or returns the top level for rise time (90% level)
MEASUrement:IMMed:REFLevel:PERCent:LOW	Sets or returns the low level for rise time (10% level)
MEASUrement:IMMed:REFLevel:PERCent:MID<x>	Sets or returns the mid levels for measurements
MEASUrement:IMMed:SOUrce<x>	Sets or returns the source to measure “to” or “from” for phase or delay immediate measurements
MEASUrement:IMMed:SOUrce<x>:SIGType	Sets or returns the type of input signal used for the specified measurement source
MEASUrement:IMMed:TYPe	Sets or returns the type of the immediate measurement
MEASUrement:IMMed:UNIts?	Returns the units of the immediate measurement
MEASUrement:IMMed:VALue?	Returns the value of the immediate measurement
MEASUrement:MEAS<x>?	Returns all measurement parameters for the displayed measurement
MEASUrement:MEAS<x>:COUnT?	Returns the number of values accumulated since the last statistical reset
MEASUrement:MEAS<x>:DELAy?	Returns the delay measurement parameters for specified measurement
MEASUrement:MEAS<x>:DELAy:DIREction	Sets or returns the search direction to use for delay measurements
MEASUrement:MEAS<x>:DELAy:EDGE<x>	Sets or returns the slope of the edge to use for delay “from” or “to” waveform measurements
MEASUrement:MEAS<x>:MAXimum?	Returns the maximum value found since the last statistical reset
MEASUrement:MEAS<x>:MEAN?	Returns the mean value accumulated since the last statistical reset
MEASUrement:MEAS<x>:METHod	Sets or returns the method used to calculate the 0% and 100% reference level
MEASUrement:MEAS<x>:MINimum?	Returns the minimum value found since the last statistical reset
MEASUrement:MEAS<x>:NOISe	Sets or returns the location of the noise measurement on the eye waveform for MEAS<x>
MEASUrement:MEAS<x>:REFLevel?	Returns the reference levels
MEASUrement:MEAS<x>:REFLevel:ABSolute:HIGH	Sets or returns the top level for rise time (90% level)
MEASUrement:MEAS<x>:REFLevel:ABSolute:LOW	Sets or returns the low level for rise time (10%)

Command	Description
MEASUrement:MEAS<x>:REFLevel:ABSolute:MID<x>	Sets or returns the mid1 or mid2 level for measurements
MEASUrement:MEAS<x>:REFLevel:METHod	Sets or returns the reference level units used for measurement calculations
MEASUrement:MEAS<x>:REFLevel:PERCent:HIGH	Sets or returns the top level for rise time (90% level)
MEASUrement:MEAS<x>:REFLevel:PERCent:LOW	Sets or returns the low level for rise time (10% level)
MEASUrement:MEAS<x>:REFLevel:PERCent:MID<x>	Sets or returns the mid1 or mid2 level for delay measurements
MEASUrement:MEAS<x>:SOUrce<x>	Sets or returns the source to measure “from” or “to” for phase or delay measurements
MEASUrement:MEAS<x>:SOUrce<x>:SIGType	Sets or returns the type of input signal used for the specified measurement source for the specified measurement slot
MEASUrement:MEAS<x>:STATE	Sets or returns whether the specified measurement slot is computed and displayed
MEASUrement:MEAS<x>:STDdev?	Returns the standard deviation of values accumulated since the last statistical reset
MEASUrement:MEAS<x>:TYPE	Sets or returns the measurement<x> type
MEASUrement:MEAS<x>:UNIts?	Returns measurement<x> units
MEASUrement:MEAS<x>:VALue?	Returns the value of measurement<x>
MEASUrement:METHod	Sets or returns the method used for calculating reference levels
MEASUrement:NOISe	Sets or returns the location of the noise measurement on the eye waveform
MEASUrement:REFLevel:ABSolute:HIGH	Sets or returns the top reference level for rise time
MEASUrement:REFLevel:ABSolute:LOW	Sets or returns the low reference level for rise time
MEASUrement:REFLevel:ABSolute:MID<x>	Sets or returns the mid1 or mid2 reference level for measurements
MEASUrement:REFLevel:METHod	Sets or returns the method for assigning high and low reference levels
MEASUrement:REFLevel:PERCent:HIGH	Sets or returns the top reference percent level for rise time
MEASUrement:REFLevel:PERCent:LOW	Sets or returns the low reference percent level for rise time
MEASUrement:REFLevel:PERCent:MID<x>	Sets or returns the mid1 or mid 2 reference percent level for waveform measurements
MEASUrement:SOUrce<x>:SIGType	Sets or returns the type of input signal used for the specified measurement source

Command	Description
MEASUrement:STATIstics:COUnT	Clears existing measurement statistics from memory
MEASUrement:STATIstics:MODe	Turns measurement statistics on or off and sets or returns which pair of statistical accumulations is displayed
MEASUrement:STATIstics:WEIghting	Sets or returns the 'time constant' for mean and standard deviation statistical accumulations

Miscellaneous Command Group

Miscellaneous commands do not fit into other categories.

Several commands and queries are common to all 488.2-1987 devices on the GPIB bus. The 488.2-1987 standard defines these commands. The common commands begin with an asterisk (*) character.

Command	Description
AUXout?	Returns the auxiliary out setup
AUXout:EDGE	Sets or returns the direction in which the trigger output signal will transition when a trigger occurs
AUXout:SOUrce	Sets or returns the trigger source at the BNC connection
AUTOSet	Sets the vertical, horizontal, and trigger controls of the instrument to automatically acquire and display the selected waveform
BELI	In previous models, this command sounded the audio indicator. Provided for backward compatibility
CMDBatch	Turns command batching on or off Or returns the state of command batching
DATE	Sets or returns the date that the instrument can display
*DDT	Sets or returns the commands that will be executed by the group execute trigger
HEADer	Sets or returns the Response Header Enable State
HDR	Sets or returns the Response Header Enable State
ID?	Returns identifying information about the instrument and its firmware
*IDN?	Returns the instrument identification code

Command	Description
LOCK	Sets or returns the front panel lock state
*LRN?	Returns a listing of instrument settings
NEWpass	Changes the password for user protected data
PASSWord	Provides access for changing user protected data
REM	Specifies a comment, which is ignored by the instrument
ROSc:SOUrce	Sets or queries the selected source for the time base reference oscillator
ROSc:STATE?	Returns whether the time base reference oscillator is locked
ROSc:TRACking	Sets or queries the selected source for the time base reference oscillator. The reference oscillator locks to this source
SET?	Returns a listing of instrument settings
TEKSecure	Initializes both waveform and setup memories
TIME	Sets or returns the time displayed by the instrument
*TRG	Performs the group execute trigger (GET)
*TST?	Tests the GPIB interface and returns status
UNLock	Unlocks front panel
VERBose	Sets or returns the verbose state

Save and Recall Command Group

Use the commands in the Save and Recall Command Group to store and retrieve internal waveforms and settings. When you save a setup, you save all the settings of the instrument. When you recall a setup, the instrument restores itself to the state that it was in when you originally saved that setting.

Command	Description
*RCL	Restores the state of the instrument from a copy of the setting stored in memory
*SAV	Stores the current instrument state to a specified memory location
*SDS	Changes the specified setup to reference the factory setup instead of the user setup
DELEte:SETUp	Removes stored setups from memory and initializes the location with the factory default setups

Command	Description
DELEte:WAVEform	Deletes (one or all of) the stored reference waveforms from memory
FACtory	Resets the instrument to factory default settings
RECAIl:SETUp	Recalls saved instrument settings
RECAIl:WAVEform	Recalls a stored waveform to a reference location
SAVe:SETUp	Saves the current front-panel setup to a specified memory location or file
SAVe:WAVEform	Saves a waveform to one of four reference memory locations or a mass storage file
SAVe:WAVEform:FILEFormat	Sets or returns the format for saved waveforms
SETUp:NAME	Sets or returns the user-defined setup label

Search and Mark Command Group

Use Search and Mark commands to seek out and identify information in waveform records that warrant further investigation.

Command	Description
MARK	Moves to the next or previous reference mark, or queries the current mark setup
MARK:CREATE	Creates a mark on a specified waveform or all waveforms in a column
MARK:DELEte	Deletes a mark on a particular waveform, all waveforms in a column, the selected mark, or all marks
MARK:FREE?	Returns how many marks are available for use
MARK:SELEcted:END?	Returns the end of the selected mark, 0 to 100% of the waveform
MARK:SELEcted:FOCUS?	Returns the focus of the selected mark, 0 to 100% of the waveform
MARK:SELEcted:LABel	Set or queries the label for the selected mark
MARK:SELEcted:MARKSINCOLumn?	Returns the number of marks in the current zoom pixel column
MARK:SELEcted:OWNer?	Returns the owner of the selected mark
MARK:SELEcted:SOURCE?	Sets or returns the source waveform for the selected mark
MARK:SELEcted:START?	Returns the starting point of the selected mark, 0 to 100% of the waveform

Command	Description
MARK:SElected:STATe	Returns the on or off state of the selected mark. The selected mark is at or near the center of the display
MARK:SElected:ZOOm:POSition?	Returns the position of the selected mark, 0 to 100% of the zoom overview window
MARK:SElected:ZOOm:SCAle?	Returns the scale of the selected mark, 0 to 100% of the zoom overview window
MARK:TOTal?	Returns how many marks are currently in use
SEARCH:SEARCH<x>	Converts the specified search marks to the user marks. <x> can be 1 to 8
SEARCH:SEARCH<x>:COPy	Copies the search criteria to the trigger, the trigger criteria to a search, or copy search to search. <x> is the search number
SEARCH:SEARCH<x>:STATE	Selects which search is selected
SEARCH:SEARCH<x>:TOTAL?	Returns the total number of matches for the search. The total number of matches may be more than the number of marks placed
SEARCH:SEARCH<x>:TRIGger:A:DDRMemory:AUTOBitrate	Sets or queries the auto bit rate setting
SEARCH:SEARCH<x>:TRIGger:A:DDRMemory:AUTORelevel	Sets or queries the auto reference levels setting
SEARCH:SEARCH<x>:TRIGger:A:DDRMemory:BITRate	Sets or queries the DDR memory bit rate
SEARCH:SEARCH<x>:TRIGger:A:DDRMemory:DATASource	Sets or queries the DDR memory data source
SEARCH:SEARCH<x>:TRIGger:A:DDRMemory:REFLevel:DATA:HIGH	Sets or queries the value of the data HIGH reference level
SEARCH:SEARCH<x>:TRIGger:A:DDRMemory:REFLevel:DATA:LOW	Sets or queries the value of the data LOW reference level
SEARCH:SEARCH<x>:TRIGger:A:DDRMemory:REFLevel:DATA:MID	Sets or queries the value of the data MID reference level
SEARCH:SEARCH<x>:TRIGger:A:DDRMemory:REFLevel:STROBE:HIGH	Sets or queries the value of the strobe HIGH reference level
SEARCH:SEARCH<x>:TRIGger:A:DDRMemory:REFLevel:STROBE:LOW	Sets or queries the value of the strobe LOW reference level
SEARCH:SEARCH<x>:TRIGger:A:DDRMemory:REFLevel:STROBE:MID	Sets or queries the value of the strobe MID reference level
SEARCH:SEARCH<x>:TRIGger:A:DDRMemory:STANdard	Sets or queries the DDR standard type for a DDR Memory analysis search
SEARCH:SEARCH<x>:TRIGger:A:DDRMemory:STROBEsource	Sets or queries the strobe source for a DDR Memory analysis search

Command	Description
SEARCH:SEARCH<x>:TRIGger:A:EDGE:SLOpe:CH<x>	Sets or returns the slope for an edge trigger search to determine where to place a mark. <x> is the search number or the channel number
SEARCH:SEARCH<x>:TRIGger:A:EDGE:SLOpe:MATH<x>	Sets or returns the slope for an edge trigger search to determine where to place a mark. <x> is the search number or the math waveform number
SEARCH:SEARCH<x>:TRIGger:A:EDGE:SLOpe:REF<x>	Sets or returns the slope for an edge trigger search to determine where to place a mark. <x> is the search number or the reference waveform number
SEARCH:SEARCH<x>:TRIGger:A:EDGE:SOUrce	Sets or returns the source waveform for an edge trigger search to determine where to place a mark. <x> is the search number
SEARCH:SEARCH<x>:TRIGger:A:GLItch:POLarity:CH<x>	Sets or returns the polarity for a glitch trigger search to determine where to place a mark. <x> is the search number or channel number
SEARCH:SEARCH<x>:TRIGger:A:GLItch:POLarity:MATH<x>	Sets or returns the polarity for a glitch trigger search to determine where to place a mark. <x> is the search number or math waveform number
SEARCH:SEARCH<x>:TRIGger:A:GLItch:POLarity:REF<x>	Sets or returns the polarity for a glitch trigger search to determine where to place a mark. <x> is the search number or reference waveform number
SEARCH:SEARCH<x>:TRIGger:A:GLItch:TRIGIF	Sets or returns the accept or reject state for a glitch trigger search to determine where to place a mark. <x> is the search number
SEARCH:SEARCH<x>:TRIGger:A:GLItch:WIDth	Sets or returns the glitch width for a glitch trigger search to determine where to place a mark. <x> is the search number
SEARCH:SEARCH<x>:TRIGger:A:LEVel:CH<x>	Sets or returns the level for an edge trigger search to determine where to place a mark. <x> is the search number or the channel number. Each channel can have an independent level
SEARCH:SEARCH<x>:TRIGger:A:LEVel:MATH<x>	Sets or returns the math waveform level for an edge trigger search to determine where to place a mark. <x> is the search number or math waveform number
SEARCH:SEARCH<x>:TRIGger:A:LEVel:REF<x>	Sets or returns the specified reference waveform level for a trigger search to determine where to place a mark. SEARCH<x> is the search number and REF<x> is the reference channel number

Command	Description
SEARCH:SEARCH<x>:TRIGger:A:LOGIc:FUNctIon	Sets or returns the logic operator for a pattern or state trigger search to determine where to place a mark. <x> is the search number
SEARCH:SEARCH<x>:TRIGger:A:LOGIc:INPut:CH<x>	Sets or returns the Boolean logic criteria for a pattern or state trigger search to determine where to place a mark. <x> is the search number or the channel number
SEARCH:SEARCH<x>:TRIGger:A:LOGIc:INPut:MATH<x>	Sets or returns the Boolean logic criteria for a pattern or state trigger search to determine where to place a mark. <x> is the search number or the math waveform number
SEARCH:SEARCH<x>:TRIGger:A:LOGIc:INPut:REF<x>	Sets or returns the Boolean logic criteria for a pattern or state trigger search to determine where to place a mark. <x> is the search number or the reference channel number
SEARCH:SEARCH<x>:TRIGger:A:LOGIc:THReshold:CH<x>	Sets or returns the channel threshold level for a pattern or state trigger search to determine where to place a mark. SEARCH<x> is the search number and CH<x> is the channel number
SEARCH:SEARCH<x>:TRIGger:A:LOGIc:THReshold:MATH<x>	Sets or returns the math waveform threshold level for a pattern or state trigger search to determine where to place a mark. <x> is the search number or the Math waveform number
SEARCH:SEARCH<x>:TRIGger:A:LOGIc:THReshold:REF<x>	Sets or returns the reference waveform threshold level for a pattern or state trigger search to determine where to place a mark. <x> is the search number or the reference waveform number
SEARCH:SEARCH<x>:TRIGger:A:PATtern:WHEn	Sets or queries the pattern trigger pattern test that determines where to place a mark. <x> is the search number
SEARCH:SEARCH<x>:TRIGger:A:PATtern:WHEn:LESSLimit	Sets or queries the time the pattern trigger less limit test uses to determines where to place a mark. <x> is the search number
SEARCH:SEARCH<x>:TRIGger:A:PATtern:WHEn:MORELimit	Sets or queries the time the pattern trigger more limit test uses to determines where to place a mark. <x> is the search number
SEARCH:SEARCH<x>:TRIGger:A:PULse:SOUrce	Sets or returns the source waveform for a pulse trigger search to determine where to place a mark. <x> is the search number. This is the source for Glitch, Width, Runt, Timeout or Window searches.

Command	Description
SEARCH:SEARCH<x>:TRIGger:A:RUNT:POLarity:CH<x>	Sets or returns the polarity setting for a runt trigger search to determine where to place a mark. <x> is the search number or channel number
SEARCH:SEARCH<x>:TRIGger:A:RUNT:POLarity:MATH<x>	Sets or returns the polarity setting for a runt trigger search to determine where to place a mark. <x> is the search number or math waveform number
SEARCH:SEARCH<x>:TRIGger:A:RUNT:POLarity:REF<x>	Sets or returns the polarity setting for a runt trigger search to determine where to place a mark. <x> is the search number or reference waveform number
SEARCH:SEARCH<x>:TRIGger:A:RUNT:THReshold:HIGH:CH<x>	Sets or returns the channel threshold HIGH level for a runt trigger search to determine where to place a mark. <x> is the search number or the channel number
SEARCH:SEARCH<x>:TRIGger:A:RUNT:THReshold:HIGH:MATH<x>	Sets or returns the math waveform threshold HIGH level for a runt trigger search to determine where to place a mark. <x> is the search number or the math waveform number
SEARCH:SEARCH<x>:TRIGger:A:RUNT:THReshold:HIGH:REF<x>	Sets or returns the reference waveform threshold HIGH level for a runt trigger search to determine where to place a mark. <x> is the search number or the reference waveform number
SEARCH:SEARCH<x>:TRIGger:A:RUNT:THReshold:LOW:CH<x>	Sets or returns the channel threshold LOW level for a runt trigger search to determine where to place a mark. <x> is the search number or the channel number
SEARCH:SEARCH<x>:TRIGger:A:RUNT:THReshold:LOW:MATH<x>	Sets or returns the math waveform threshold LOW level for a runt trigger search to determine where to place a mark. <x> is the search number or the math waveform number
SEARCH:SEARCH<x>:TRIGger:A:RUNT:THReshold:LOW:REF<x>	Sets or returns the reference waveform threshold LOW level for a runt trigger search to determine where to place a mark. <x> is the search number or the reference waveform number
SEARCH:SEARCH<x>:TRIGger:A:RUNT:WHEn	Sets or returns the condition setting for a runt trigger search to determine where to place a mark. <x> is the search number
SEARCH:SEARCH<x>:TRIGger:A:RUNT:WIDth	Sets or returns the width setting for a runt trigger search to determine where to place a mark. <x> is the search number

Command	Description
SEARCH:SEARCH<x>:TRIGger:A:SETHold: CLOCK:EDGE	Sets or returns the clock slope setting for a setup/hold trigger search to determine where to place a mark. <x> is the search number
SEARCH:SEARCH<x>:TRIGger:A:SETHold: CLOCK:SOUrce	Sets or returns the clock source setting for a setup/hold trigger search to determine where to place a mark. <x> is the search number
SEARCH:SEARCH<x>:TRIGger:A:SETHold: CLOCK:THReshold:CH<x>	Sets or returns the clock threshold setting for a setup/hold trigger search to determine where to place a mark. <x> is the search number or channel number
SEARCH:SEARCH<x>:TRIGger:A:SETHold: CLOCK:THReshold:MATH<x>	Sets or returns the clock threshold setting for a setup/hold trigger search to determine where to place a mark. <x> is the search number or math waveform number
SEARCH:SEARCH<x>:TRIGger:A:SETHold: CLOCK:THReshold:REF<x>	Sets or returns the clock threshold setting for a setup/hold trigger search to determine where to place a mark. <x> is the search number or reference waveform number
SEARCH:SEARCH<x>:TRIGger:A:SETHold: DATA:SOUrce	Sets or returns the data source setting for a setup/hold trigger search to determine where to place a mark. <x> is the search number
SEARCH:SEARCH<x>:TRIGger:A:SETHold: DATA:THReshold:CH<x>	Sets or returns the data threshold setting for a setup/hold trigger search to determine where to place a mark. <x> is the search number or channel number
SEARCH:SEARCH<x>:TRIGger:A:SETHold: DATA:THReshold:MATH<x>	Sets or returns the data threshold setting for a setup/hold trigger search to determine where to place a mark. <x> is the search number or math waveform number
SEARCH:SEARCH<x>:TRIGger:A:SETHold: DATA:THReshold:REF<x>	Sets or returns the threshold high voltage level setting for a transition trigger search to determine where to place a mark. <x> is the search number or reference waveform number
SEARCH:SEARCH<x>:TRIGger:A:SETHold: HOLDTime	Sets or returns the hold time setting for a setup/hold trigger search to determine where to place a mark. <x> is the search number
SEARCH:SEARCH<x>:TRIGger:A:SETHold: SETTime	Sets or returns the setup time setting for a setup/hold trigger search to determine where to place a mark. <x> is the search number
SEARCH:SEARCH<x>:TRIGger:A:STATE: CLOCK:EDGE	Sets or returns the clock slope setting for a state trigger search to determine where to place a mark. <x> is the search number

Command	Description
SEARCH:SEARCH<x>:TRIGger:A:STATE:CLOCK:SOUrce	Sets or returns the clock source of the twelve waveforms for a state trigger search to determine where to place a mark. <x> is the search number. The hardware trigger is always on the channel CH4
SEARCH:SEARCH<x>:TRIGger:A:STATE:WHEn	Sets or queries the state trigger search to determine where to place a mark. <x> is the search number
SEARCH:SEARCH<x>:TRIGger:A:TIMEOut:POLarity:CH<x>	Sets or returns the polarity for a timeout trigger search to determine where to place a mark. <x> is the search number or channel number
SEARCH:SEARCH<x>:TRIGger:A:TIMEOut:POLarity:MATH<x>	Sets or returns the polarity for a timeout trigger search to determine where to place a mark. <x> is the search number or math waveform number
SEARCH:SEARCH<x>:TRIGger:A:TIMEOut:POLarity:REF<x>	Sets or returns the polarity for a timeout trigger search to determine where to place a mark. <x> is the search number or reference waveform number
SEARCH:SEARCH<x>:TRIGger:A:TIMEOut:TIMe	Sets or returns the time setting for a timeout trigger search to determine where to place a mark. <x> is the search number
SEARCH:SEARCH<x>:TRIGger:A:TRANSition:DELTATime	Sets or returns the transition time setting for a transition trigger search to determine where to place a mark.<x> is the search number
SEARCH:SEARCH<x>:TRIGger:A:TRANSition:POLarity:CH<x>	Sets or returns the polarity setting for a transition trigger search to determine where to place a mark. <x> is the search number or channel number
SEARCH:SEARCH<x>:TRIGger:A:TRANSition:POLarity:MATH<x>	Sets or returns the polarity setting for a transition trigger search to determine where to place a mark. <x> is the search number or math waveform number
SEARCH:SEARCH<x>:TRIGger:A:TRANSition:POLarity:REF<x>	Sets or returns the polarity setting for a transition trigger search to determine where to place a mark. <x> is the search number or reference waveform number
SEARCH:SEARCH<x>:TRIGger:A:TRANSition:THReshold:HIGh:CH<x>	Sets or returns the threshold high voltage level setting for a transition trigger search to determine where to place a mark. <x> is the search number or channel number
SEARCH:SEARCH<x>:TRIGger:A:TRANSition:THReshold:HIGh:MATH<x>	Sets or returns the threshold high voltage level setting for a transition trigger search to determine where to place a mark. <x> is the search number or math waveform number

Command	Description
SEARCH:SEARCH<x>:TRIGger:A: TRANSition:THReshold:HIGh:REF<x>	Sets or returns the threshold high voltage level setting for a transition trigger search to determine where to place a mark. <x> is the search number or reference waveform number
SEARCH:SEARCH<x>:TRIGger:A: TRANSition:THReshold:LOW:CH<x>	Sets or returns the threshold low voltage level setting for a transition trigger search to determine where to place a mark. <x> is the search number or channel number
SEARCH:SEARCH<x>:TRIGger:A: TRANSition:THReshold:LOW:MATH<x>	Sets or returns the threshold low voltage level setting for a transition trigger search to determine where to place a mark. <x> is the search number or math waveform number
SEARCH:SEARCH<x>:TRIGger:A: TRANSition:THReshold:LOW:REF<x>	Sets or returns the threshold low voltage level setting for a transition trigger search to determine where to place a mark. <x> is the search number or reference waveform number
SEARCH:SEARCH<x>:TRIGger:A: TRANSition:WHEn	Sets or returns the condition setting for a transition trigger search to determine where to place a mark. <x> is the search number
SEARCH:SEARCH<x>:TRIGger:A:TYPE	Sets or returns the trigger type setting for a search to determine where to place a mark. <x> is the search number NOTE. <i>Except EDGE all other options must be purchased.</i>
SEARCH:SEARCH<x>:TRIGger:A:WIDTH: HIGHLimit	Sets or returns the upper time limit setting for a width search to determine where to place a mark. <x> is the search number
SEARCH:SEARCH<x>:TRIGger:A:WIDTH: LOWLimit	Sets or returns the lower time limit setting for a width search to determine where to place a mark. <x> is the search number
SEARCH:SEARCH<x>:TRIGger:A:WIDTH: POLarity:CH<x>	Sets or returns the polarity for a width search to determine where to place a mark. <x> is the search number or channel number
SEARCH:SEARCH<x>:TRIGger:A:WIDTH: POLarity:MATH<x>	Sets or returns the polarity for a width search to determine where to place a mark. <x> is the search number or math waveform number
SEARCH:SEARCH<x>:TRIGger:A:WIDTH: POLarity:REF<x>	Sets or returns the polarity for a width search to determine where to place a mark. <x> is the search number or reference waveform number
SEARCH:SEARCH<x>:TRIGger:A:WIDTH: WHEn	Sets or queries the width search to determine where to place a mark. <x> is the search number

Command	Description
SEARCH:SEARCH<x>:TRIGger:A:WINDow: EVENT	Sets or queries the window search to determine where to place a mark. <x> is the search number
SEARCH:SEARCH<x>:TRIGger:A:WINDow: THReshold:HIGH:CH<x>	Sets or returns the channel waveform threshold HIGH level for a window search to determine where to place a mark. <x> is the search number or channel number
SEARCH:SEARCH<x>:TRIGger:A:WINDow: THReshold:HIGH:MATH<x>	Sets or returns the channel waveform threshold HIGH level for a window search to determine where to place a mark. <x> is the search number or math waveform number
SEARCH:SEARCH<x>:TRIGger:A:WINDow: THReshold:HIGH:REF<x>	Sets or returns the channel waveform threshold HIGH level for a window search to determine where to place a mark. <x> is the search number or reference number
SEARCH:SEARCH<x>:TRIGger:A:WINDow: THReshold:LOW:CH<x>	Sets or returns the channel waveform threshold LOW level for a window search to determine where to place a mark. <x> is the search number or channel number
SEARCH:SEARCH<x>:TRIGger:A:WINDow: THReshold:LOW:MATH<x>	Sets or returns the channel waveform threshold LOW level for a window search to determine where to place a mark. <x> is the search number or math waveform number
SEARCH:SEARCH<x>:TRIGger:A:WINDow: THReshold:LOW:REF<x>	Sets or returns the channel waveform threshold LOW level for a window search to determine where to place a mark. <x> is the search number or reference waveform number
SEARCH:SEARCH<x>:TRIGger:A:WINDow: WIDth	Sets or returns the width setting for a window search to determine where to place a mark. <x> is the search number
SEARCH:STOP	Sets or queries the stop of acquisitions when a search finds an event

Status and Error Command Group

Use the commands in the Status and Error command Group to determine the status of the instrument and control events.

Several commands and queries used with the instrument are common to all devices on the GPIB bus. The IEEE Std 488.2-1987 defines these commands and queries. The common commands begin with an asterisk (*) character.

Command	Description
*CLS	Clears status
*ESE	Sets or returns the bits in the Event Status Enable Register
*ESR?	Returns the contents of the Standard Event Status Register
*OPC	Generates the operation complete message in the standard event status register when all pending operations are finished Or returns "1" when all current operations are finished
*OPT?	Returns a list of options installed in the instrument
*PSC	Sets or returns the power on status flag
*PUD	Sets or returns a string of protected user data
*RST	Resets the instrument to factory default settings
*SRE	Sets or returns the bits in the Service Request Enable Register
*STB?	Returns the contents of the Status Byte Register
*WAI	Prevents the instrument from executing further commands until all pending operations finish
ALLEv?	Returns all events and their messages
BUSY?	Returns instrument status
DESE	Sets or returns the bits in the Device Event Status Enable Register
EVENT?	Returns event code from the event queue
EVMsg?	Returns event code, message from the event queue
EVQty?	Returns the number of events in the event queue

Trigger Command Group

Use the commands in the Trigger Command Group to control all aspects of triggering for the instrument.

There are two triggers: A and B. Where appropriate, the command set has parallel constructions for each trigger.

You can set the A or B triggers to edge mode. Edge triggering lets you display a waveform at or near the point where the signal passes through a voltage level of your choosing.

You can also set A or B triggers to pulse or logic modes. With pulse triggering, the instrument triggers whenever it detects a pulse of a certain width or height. Logic triggering lets you logically combine the signals on one or more channels. The instrument then triggers when it detects a certain combination of signal levels. Video triggering enables you to trigger on the most common Standard Definition, High Definition, and custom video standards. You can trigger on all fields, all lines, or individual video lines. Video trigger commands are only available on DPO7000 instruments.

If you have Option MTM (Mask Testing) installed, you also have access to a communication mode. When this mode is selected, several communication trigger commands are available that work in conjunction with the mask commands. Refer to Mask Command Group.

Command	Description
TRIGger	Forces a trigger event to occur or returns current trigger parameters for the instrument
TRIGger:A	Sets A trigger level to 50% or returns current A trigger parameters
TRIGger:{A B}:EDGE:COUPling	Sets or returns the type of coupling for the edge trigger
TRIGger:{A B}:EDGE:SLOpe	Sets or returns the slope for the edge trigger
TRIGger:{A B}:EDGE:SLOpe:AUX	Sets or returns the slope for the edge trigger for the AUX In input
TRIGger:{A B}:EDGE:SLOpe:CH<x>	Sets or returns the slope for the edge trigger for the channel
TRIGger:{A B}:EDGE:SOUrce	Sets or returns the source for the edge trigger
TRIGger:{A B}:LEVel	Sets or returns the level for the trigger
TRIGger:{A B}:LEVel:CH<x>	Sets or returns the level for the trigger for the channel
TRIGger:{A B}:EDGE?	bbvannReturns the source, coupling and source for the edge trigger
TRIGger:{A B}:EDGE:COUPling:CH<x>	Sets or queries the type of coupling for the A or B trigger for the specified channel
TRIGger:{A B}:LOGic:CLAss	Sets or returns the type of trigger logic
TRIGger:{A B}:LOGic:FUNction	Sets or returns the logical combination of the input channels for the logic trigger
TRIGger:{A B}:LOGic:INPut?	Returns the logic trigger input expected for channel 1, 2, and 3
TRIGger:{A B}:LOGic:INPut:CH<x>	Sets or queries the logical input for the logic trigger channel specified by x
TRIGger:{A B}:LOGic:PATtern:INPut:CH<x>	Sets or returns the logic pattern trigger input for the indicated channel
TRIGger:{A B}:LOGic:PATtern:WHEn	Sets or returns the condition for generating the logic pattern trigger

Command	Description
TRIGger:{A B}:LOGic:PATtern:WHEn:LESSLimit	Sets or returns the maximum time that the selected pattern may be true and still generate a logic pattern trigger
TRIGger:{A B}:LOGic:PATtern:WHEn:MORELimit	Sets or returns the minimum time that the selected pattern may be true and still generate a logic pattern trigger
TRIGger:{A B}:LOGic:PATtern?	Returns the conditions for generating a logic pattern trigger
TRIGger:{A B}:LOGic:SETHold:CLOCK:EDGE	Sets or returns the clock edge polarity for setup and hold triggering
TRIGger:{A B}:LOGic:SETHold:CLOCK:SOUrce	Sets or returns the clock source for the logic trigger setup and hold input
TRIGger:{A B}:LOGic:SETHold:CLOCK:THReshold	Sets or returns the clock voltage threshold for setup and hold trigger
TRIGger:{A B}:LOGic:SETHold:CLOCK:THReshold:CH<x>	Sets or returns the clock voltage threshold for setup and hold trigger for the channel
TRIGger:{A B}:LOGic:SETHold:CLOCK?	Returns clock edge polarity, voltage threshold and source input for setup/hold triggering oh good
TRIGger:{A B}:LOGic:SETHold:DATA:SOUrce	Sets or returns the data source for the setup and hold trigger
TRIGger:{A B}:LOGic:SETHold:DATA:THReshold	Sets or returns the data voltage threshold for setup and hold trigger
TRIGger:{A B}:LOGic:SETHold:DATA:THReshold:CH<x>	Sets or returns the data voltage threshold for setup and hold trigger for the channel
TRIGger:{A B}:LOGic:SETHold:DATA?	Returns the voltage threshold and data source for the setup/hold trigger
TRIGger:{A B}:LOGic:SETHold:HOLDTime	Sets or returns the hold time for the setup and hold violation triggering
TRIGger:{A B}:LOGic:SETHold:QUALify	Sets or returns the setup and hold violation trigger qualifications
TRIGger:{A B}:LOGic:SETHold:SETTime	Sets or returns the setup time for setup and hold violation triggering
TRIGger:{A B}:LOGic:SETHold?	Returns clock edge polarity, voltage threshold and source; data voltage threshold and source; and setup/hold times for setup and hold violation triggering
TRIGger:{A B}:LOGic:STATE:INPut:CH<x>	Sets or returns the slope for indicated channel of the logic state trigger
TRIGger:{A B}:LOGic:STATE:WHEn	Sets or returns the condition for generating a logic state trigger
TRIGger:{A B}:LOGic:STATE?	Returns the data input and trigger criteria for the logic state trigger

Command	Description
TRIGger:{A B}:LOGic:THReshold:CH<x>	Sets or returns the logic state trigger threshold voltage for the specified channel
TRIGger:{A B}:LOWerthreshold:CH<x>	Sets or returns CH<x> lower trigger level for TRIGger: LVLSrcpreference
TRIGger:{A B}:LOGic:THReshold?	Returns the threshold voltage for all channels in logic trigger
TRIGger:{A B}:PULse:CLAss	Sets or returns the type of pulse on which to trigger
TRIGger:{A B}:PULse:GLItch:POLarity	Sets or returns the polarity for the pulse glitch trigger
TRIGger:{A B}:PULse:GLItch:POLarity:CH<x>	Sets or returns the polarity for the A or B pulse glitch trigger for the channel
TRIGger:{A B}:PULse:GLItch:QUALify	Sets or returns the glitch trigger qualifications
TRIGger:{A B}:PULse:GLItch:TRIGIF	Sets or returns the acceptance or rejection of pulse glitch trigger, based on width
TRIGger:{A B}:PULse:GLItch:WIDTH	Sets or returns the width of the A pulse glitch trigger
TRIGger:{A B}:PULse:GLItch?	Returns the current A glitch pulse trigger parameters
TRIGger:{A B}:PULse:RUNT:POLarity	Sets or returns the polarity for the pulse runt trigger
TRIGger:{A B}:PULse:RUNT:POLarity:CH<x>	Sets or returns the polarity for the A or B pulse runt trigger for the channel
TRIGger:{A B}:PULse:RUNT:QUALify	Sets or returns the polarity for the A or B pulse runt trigger
TRIGger:{A B}:PULse:RUNT:THReshold:BOTh	Sets the upper and lower switching thresholds for the A pulse runt trigger
TRIGger:{A B}:PULse:RUNT:THReshold:HIGH	Sets or returns the upper limit for the A pulse runt trigger
TRIGger:{A B}:PULse:RUNT:THReshold:LOW	Sets or returns the lower limit for the A pulse runt trigger
TRIGger:{A B}:PULse:RUNT:THReshold?	Returns the upper and lower thresholds for the A pulse runt trigger
TRIGger:{A B}:PULse:RUNT:WHEN	Sets or returns the type of pulse width the trigger checks for when it uncovers a runt
TRIGger:{A B}:PULse:RUNT:WIDTH	Sets or returns the minimum width for A pulse runt trigger
TRIGger:{A B}:PULse:RUNT?	Returns the current A runt pulse trigger parameters
TRIGger:{A B}:PULse:SOURce	Sets or returns the source for the A pulse trigger
TRIGger:{A B}:PULse:TIMEOut:POLarity	Sets or returns the polarity for the A pulse timeout trigger

Command	Description
TRIGger:{A B}:PULse:TIMEOut:POLarity:CH<x>	Sets or returns the polarity for the A or B pulse timeout trigger for the channel
TRIGger:{A B}:PULse:TIMEOut:QUALify	Sets or returns the timeout trigger qualifications
TRIGger:{A B}:PULse:TIMEOut:Time	Sets or returns the pulse timeout trigger time
TRIGger:{A B}:PULse:TIMEOut?	Returns the parameters for the A pulse timeout trigger
TRIGger:{A B}:PULse:TRANSition:DELTAtime	Sets or returns the delta time used in calculating the transition value
TRIGger:{A B}:PULse:TRANSition:POLarity	Sets or returns the polarity for the A pulse transition trigger
TRIGger:{A B}:PULse:TRANSition:POLarity:CH<x>	Sets or returns the polarity for the A or B pulse transition trigger for the channel
TRIGger:{A B}:PULse:TRANSition:QUALify	Sets or returns the transition trigger qualifications
TRIGger:{A B}:PULse:TRANSition:THReshold:BOTH	Sets the upper and lower thresholds for the transition trigger
TRIGger:{A B}:PULse:TRANSition:THReshold:HIGh	Sets or returns the upper transition trigger threshold
TRIGger:{A B}:PULse:TRANSition:THReshold:LOW	Sets or returns the lower transition trigger threshold
TRIGger:{A B}:PULse:TRANSition:THReshold?	Returns the upper and lower threshold limits for the transition time trigger
TRIGger:{A B}:PULse:TRANSition:WHEn	Sets or queries whether to check for a transitioning signal that is faster or slower than the specified delta time for the transition time trigger
TRIGger:{A B}:PULse:TRANSition?	Returns the delta time, polarity, and both upper and lower threshold limits for the transition time trigger
TRIGger:{A B}:PULse:WIDth:HIGhLimit	Sets or returns the upper limit for the A pulse width trigger
TRIGger:{A B}:PULse:WIDth:LOWLimit	Sets or returns the lower limit for the pulse width trigger
TRIGger:{A B}:PULse:WIDth:POLarity	Sets or returns the polarity for the pulse width trigger
TRIGger:{A B}:PULse:WIDth:POLarity:CH<x>	Sets or returns the polarity for the A or B pulse width trigger for the channel
TRIGger:{A B}:PULse:WIDth:QUALify	Sets or returns the pulse width trigger qualifications
TRIGger:{A B}:PULse:WIDth:WHEn	Sets or returns the criteria for width specification of pulse width trigger events
TRIGger:{A B}:PULse:WIDth?	Returns the trigger pulse width parameters

Command	Description
TRIGger:{A B}:PULse:WINDow:EVENT	Sets or queries the window trigger event
TRIGger:{A B}:PULse:WINDow:QUALify	Sets or returns the window trigger qualifications
TRIGger:{A B}:PULse:WINDow:THReshold:BOTh	Sets both window thresholds
TRIGger:{A B}:PULse:WINDow:THReshold:HIGH	Sets or returns high window threshold
TRIGger:{A B}:PULse:WINDow:THReshold:LOW	Sets or returns low window threshold
TRIGger:{A B}:PULse:WINDow:THReshold?	Returns the upper and lower thresholds for the pulse window trigger
TRIGger:{A B}:PULse:WINDow:WIDTH	Sets or returns minimum width of violation
TRIGger:{A B}:PULse:WINDow?	Returns the current window pulse trigger parameters
TRIGger:{A B}:PULse?	Returns the pulse trigger parameters
TRIGger:{A B}:UPPPerthreshold:CH<x>	Sets or queries the CH<x> upper trigger level for TRIGger:LVLSrcpreference
TRIGger:A:COMMunication:{AM HDB3 B3ZS B6ZS B8ZS}:PULSEForm	Sets or returns the selected communication pulse form
TRIGger:A:COMMunication:{AM HDB3 B3ZS B6ZS B8ZS}:THReshold:HIGH	Sets the communication threshold high level
TRIGger:A:COMMunication:{AM HDB3 B3ZS B6ZS B8ZS}:THReshold:LOW	Sets the communication threshold low level
TRIGger:A:COMMunication:BITRate	Sets or returns the communication bit rate
TRIGger:A:COMMunication:CLOCK:POLarity	Sets or returns the polarity of the clock signal
TRIGger:A:COMMunication:CMI:PULSEForm	Selects the CMI pulse form
TRIGger:A:COMMunication:CODE	Sets the communication signal code
TRIGger:A:COMMunication:SOURce	Sets the communication source channel
TRIGger:A:COMMunication:SOURce:TYPE	Sets the type of communication source channel
TRIGger:A:COMMunication:STANDard	Selects the communication standard that identifies the code and bit rate
TRIGger:A:HOLDoff:ACTUal?	Returns the holdoff time actually used by the A trigger
TRIGger:A:HOLDoff:BY	Sets or returns the type of holdoff for the A trigger
TRIGger:A:HOLDoff:TIME	Sets or returns the A trigger holdoff time
TRIGger:A:HOLDoff?	Returns the A trigger holdoff parameters

Command	Description
TRIGger:A:LOGIc?	Returns all of the A trigger logic parameters
TRIGger:A:MODE	Sets or returns the A trigger mode
TRIGger:A:PULse:WINDow:POLarity	Sets or queries the pulse trigger window polarity of the selected trigger Source
TRIGger:A:PULse:WINDow:POLarity:CH<x>	Sets or queries the pulse trigger window polarity of the specified channel
TRIGger:A:TYPE	Sets or returns the type of A trigger
TRIGger:A:VIDeo:CUSTom?	Returns the custom video parameters for the A trigger
TRIGger:A:VIDeo:CUSTom:FORMat	Sets or returns the video scan format when the video standard is set to Custom
TRIGger:A:VIDeo:CUSTom:LINEPeriod	Sets or returns the custom video line period
TRIGger:A:VIDeo:CUSTom:SYNCInterval	Sets or returns the custom video sync interval
TRIGger:A:VIDeo:FIELD	Sets or returns the video field trigger
TRIGger:A:VIDeo:HOLDoff:FIELD	Sets or returns the trigger holdoff in video field units
TRIGger:A:VIDeo:LINE	Sets or returns the trigger delay as a number of video lines
TRIGger:A:VIDeo:POLarity	Sets or returns the polarity of the video trigger
TRIGger:A:VIDeo:SCAN	Sets or returns the video scan rate
TRIGger:A:VIDeo:SOURce	Sets or returns the video trigger source
TRIGger:A:VIDeo:STANdard	Sets or returns the video standard
TRIGger:A:VIDeo?	Returns the video parameters for the A trigger
TRIGger:AUXLevel	Sets or returns the level for the auxiliary trigger
TRIGger:B	Sets the B trigger level to 50% or returns the B trigger parameters
TRIGger:B:BY	Sets or returns B trigger time or event qualifiers
TRIGger:B:EVENTS:COUNt	Sets or returns the number of events that must occur before the B trigger occurs
TRIGger:B:EVENTS?	Returns the current B trigger events parameter
TRIGger:B:PULse:WINDow:POLarity	Sets or queries the pulse trigger window polarity of the selected trigger Source
TRIGger:B:PULse:WINDow:POLarity:CH<x>	Sets or queries the pulse trigger window polarity of the specified channel
TRIGger:B:RESET:SOURce	Sets or returns the source for the trigger reset
TRIGger:B:RESET:STATE	Sets or returns the state of the B trigger

Command	Description
TRIGger:B:RESET:THReshold	Sets or returns the threshold for the trigger reset
TRIGger:B:RESET:TIMEOut	Sets or returns the reset time for the timeout trigger reset
TRIGger:B:RESET:TRANSition	Sets or returns the type of transition required for a transition trigger reset
TRIGger:B:RESET:TYPe	Sets or returns the type of A→B sequential trigger reset
TRIGger:B:TIME	Sets or returns the B trigger delay time
TRIGger:B:STATE	Returns the current state of the triggering system
TRIGger:B:TYPe	Sets or returns the type of B trigger
TRIGger:ENHanced	Sets or returns the state of trigger position enhancement.
TRIGger:LVL:Srcpreference	Sets or returns how the trigger source and levels interact
TRIGger:STATE?	Returns the current state of the triggering system
TRIGger:SENSITivity	Set or returns the state of trigger sensitivity. When on, the instrument calculates a rolling average for trigger position enhancement

Vertical Command Group

Use the commands in the Vertical Command Group to control the vertical setup of all live (channel) waveforms for acquisition and to control the display of channel, reference, and math waveforms.

You may replace VOLts with SCALe in the vertical commands. This provides program compatibility with earlier models of Tektronix instruments.

Command	Description
AUXIn:BANdwidth	Sets or returns the selectable low-pass bandwidth limit filter of the AUX In input
AUXIn:COUPLing	Sets or returns the input attenuator coupling setting for the AUX In input
AUXIn:OFFSet	Sets or returns the vertical offset for the AUX In input
AUXIn:PRObe:AUTOZero	Sets the probe attached to the AUX In input to autozero
AUXIn:PRObe:DEGAUSS	Starts a degauss cycle of the probe attached to the AUX In input

Command	Description
AUXIn:PRObe:DEGAUSS:STATE?	Returns whether the probe attached to the AUX In input has been degaussed
AUXIn:PRObe:FORCEDRange	Sets the probe attached to the AUX In input to the default range of the probe, or the command returns the default range of the probe
AUXIn:PRObe:GAIN?	Returns the gain factor of the probe that is attached to the AUX In input
AUXIn:PRObe:ID:SERnumber?	Returns the probe serial number
AUXIn:PRObe:ID:TYPe?	Returns the probe type
AUXIn:PRObe:INPUTMode	Sets or returns one of the probe's four input modes
AUXIn:PRObe:INPUTMode:AOFFSet	Sets or returns the requested A mode offset control of the probe that is attached to the AUX In input
AUXIn:PRObe:INPUTMode:BOFFSet	Sets or returns the requested B mode offset control of the probe that is attached to the AUX In input
AUXIn:PRObe:INPUTMode:CMOFFSet	Sets or returns the requested common mode offset control of the probe that is attached to the AUX In input
AUXIn:PRObe:INPUTMode:DMOFFSet	Sets or returns the requested differential mode offset control of the probe that is attached to the AUX In input
AUXIn:PRObe:RANge	Sets or queries the set attenuation range of the probe on the AUX In input
AUXIn:PRObe:RESistance?	Returns the resistance factor of the probe that is attached to the AUX In input
AUXIn:PRObe:SET	Sets or queries aspects of probe accessory user interfaces, for example probe attenuation factors
AUXIn:PRObe:SIGnal	Sets or queries aspects of probe accessory user interfaces
AUXIn:PRObe:TIPType	Sets or returns the type of probe tip being used
AUXIn:PRObe:UNIts?	Returns a string describing the units of measure for the probe attached to the AUX In input
AUXIn:PROBEFunc:EXTAtten	Sets or returns the input-output ratio, of external attenuation or gain, between the signal and the AUX In input
AUXIn:PROBEFunc:EXTDBatten	Sets or returns the input-output ratio (expressed in decibel units) of external attenuation or gain between the signal and the instrument AUX In input

Command	Description
AUXIn:PROBEFunc:EXTUnits	Sets or returns the unit of measurement for the external attenuator of the AUX In input
CH<x>?	Returns vertical parameters for the specified channel
CH<x>:BANdwidth	Sets or returns the bandwidth of the specified channel
CH<x>:BANdwidth:ENHanced	Sets or queries either the “Bandwidth Enhancement (DSP) Enabled” or “Analog Only” option.
CH<x>:BANdwidth:ENHanced:APPLYtoall	Sets or queries whether the enhanced bandwidth filter applies to all active channels
CH<x>:BANdwidth:ENHanced:FORCe	Sets or returns the Force constant sample rate of the Digital Filters (DSP)
CH<x>:BANdwidth:ENHanced:STATE?	Returns the state of the bandwidth enhancement filter
	Sets or queries the bandwidth enhancement filter type
CH<x>:COUPling	Sets or returns the coupling setting for the specified channel
CH<x>:DESKew	Sets or returns the deskew time for the specified channel
CH<x>:LABel:NAME	Defines or returns the label for the channel waveform
CH<x>:LABel:XPOS	Sets or returns the X display coordinate for the channel waveform label
CH<x>:LABel:YPOS	Sets or returns the Y display coordinate for the channel waveform label
CH<x>:OFFSet	Sets or returns the channel offset
CH<x>:POSition	Sets or returns the channel vertical position
CH<x>:PROBe?	Returns the gain, resistance, units, and ID of the probe that is attached to the specified channel
CH<x>:PROBe:AUTOZero	Autozeros the probe attached to the specified channel
CH<x>:PROBe:DEGAUSS	Starts a degauss cycle of the probe attached to the specified channel
CH<x>:PROBe:DEGAUSS:STATE?	Returns whether the probe attached to the specified channel has been degaussed
CH<x>:PROBe:FORCEDRange	Sets the attached probe to its default range, or it returns the default range of the probe
CH<x>:PROBe:GAIN?	Returns the gain of the probe that is attached to the specified channel

Command	Description
CH<x>:PRObe:ID?	Returns the type and serial number of the probe that is attached to the specified channel
CH<x>:PRObe:ID:TYPE?	Returns the type of probe that is attached to the specified channel
CH<x>:PRObe:ID:SERnumber?	Returns the serial number of the probe that is attached to the specified channel
CH<x>:PRObe:INPUTMode	Sets or queries the input mode of the probe that is attached to the specified channel
CH<x>:PRObe:INPUTMode:AOffset	Sets or queries the requested A mode offset control of the probe that is attached to the specified channel
CH<x>:PRObe:INPUTMode:BOffset	Sets or queries the requested B mode offset control of the probe that is attached to the specified channel
CH<x>:PRObe:INPUTMode:CMOffset	Sets or queries the requested common mode offset control of the probe that is attached to the specified channel
CH<x>:PRObe:INPUTMode:DMOffset	Sets or queries the requested differential mode offset control of the probe that is attached to the specified channel
CH<x>:PRObe:RANge	Sets or returns the attenuation range of the probe on the designated channel
CH<x>:PRObe:RESistance?	Returns the resistance of the probe that is attached to the specified channel
CH<x>:PRObe:SET	Sets or queries aspects of probe accessory user interfaces, for example probe attenuation factors
CH<x>:PRObe:SIGnal	Sets or queries aspects of probe accessory user interfaces
CH<x>:PRObe:TIPtype	Sets or returns the type of probe tip being used on the specified channel
CH<x>:PRObe:UNIts?	Returns the units of the probe that is attached to the specified channel
CH<x>:PROBECal?	Returns the probe calibration status
CH<x>:PROBEFunc:EXTAtten	Sets the attenuation value for the specified channel to the specified scale factor Or returns the user-specified attenuation
CH<x>:PROBEFunc:EXTDBatten	Sets the attenuation value for the specified channel to the specified value, in decibels Or returns the user-specified attenuation, in decibels

Command	Description
CH<x>:PROBEFunc:EXTUnits	Sets the unit of measurement for the external attenuator of the specified channel Or returns the user-specified unit of measurement for the external attenuator
CH<x>:SCAlE	Sets or returns the vertical scale of the specified channel
CH<x>:TERmination	Sets channel input termination
REF<x>:HORizontal:POSition	Sets or returns the horizontal position of the specified reference waveform in percent of the waveform that is displayed to the right of the center vertical graticule
REF<x>:LABel?	Returns a branch query containing the waveform label name and the coordinates at which the label is displayed
REF<x>:LABel:NAME	Sets or returns the label of the designated waveform
REF<x>:LABel:XPOS	Sets or returns the position of the reference waveform label on the X axis
REF<x>:LABel:YPOS	Sets or returns the position of the reference waveform label on the Y axis
REF<x>:VERTical:POSition	Sets or returns the vertical position of the specified reference waveform
REF<x>:VERTical:SCAlE	Sets or returns the reference waveform vertical scale in vertical units/div
SElect?	Returns information on which waveforms are on or off and which waveform is selected
SElect:<wfm>	Turns on the specified waveform Or returns whether the specified channel is on or off
SElect:CH<x>	Sets or queries the displayed state of the specified channel waveform
SElect:CONTRol	Sets or returns the waveform controlled by the front panel

Waveform Transfer Command Group

Use the commands in the Waveform Transfer Command Group to transfer waveform data points to and from the instrument. Waveform data points are a collection of values that define a waveform. One data value usually represents one data point in the waveform record. When working with envelope waveforms, each data value is either the minimum or maximum of a min/max pair.

Before you transfer waveform data, you must specify the data format, record length, and waveform source.

Data Formats. Acquired waveform data uses eight or more bits to represent each data point. The number of bits used depends on the acquisition mode specified when you acquired the data. Data acquired in SAMple or ENVelope mode uses eight bits per waveform data point. Data acquired in AVERage mode uses up to 14 bits per point.

The instrument can transfer waveform data in either ASCII or binary format. You specify the format with the DATA:ENCdg command. The instrument uses signed, 4 byte integers and floating point values; it does not support unsigned floating point values.

ASCII data is represented by signed integer or floating point values. An example ASCII waveform data string may look like this:

```
CURVE<space>-110,-109,-110,-110,-109,-107,  
-109,-107,-106,-105,-103,-100,-97,-90,-84,-80
```

Use ASCII to obtain more readable and easier to format output than binary. However, ASCII may require more bytes to send the same values than it does with binary. This may reduce transmission speeds.

Binary data can be represented by signed integer or floating point values. The range of the values depends on the byte width specified. When the byte width is one, signed integer data ranges from -128 to 127, and positive integer values range from 0 to 255. When the byte width is two, the values range from -32768 to 32767. When a MATH (or REF that came from a MATH) is used, 32 bit floating point values are used that are four bytes in width.

The defined binary formats specify the order in which the bytes are transferred. The following are the four binary formats:

- RIBinary specifies signed integer data-point representation with the most significant byte transferred first.
- SRIBinary is the same as RIBinary except that the byte order is swapped, meaning that the least significant byte is transferred first. This format is useful when transferring data to PCs.
- RFBinary specifies floating point data-point representation with the most significant byte transferred first.
- SRFBinary is the same as RFBinary except that the byte order is swapped, meaning that the least significant byte is transferred first. This format is useful when transferring data to PCs.

Waveform Data and Record Lengths. You can transfer multiple points for each waveform record. You can transfer a portion of the waveform or you can transfer the entire record. You can use the DATA:START and DATA:STOP commands to specify the first and last data points of the waveform record.

When transferring data into the instrument, you must first specify the record length of the destination waveform record. You do this with the WFMInpre:NR_Pt

command. Next, specify the first data point within the waveform record. For example, when you set DATA:START to 1, data points will be stored starting with the first point in the record. The instrument will ignore the value set by DATA:STOP when reading in data. It will stop reading data when there is no more data to read or when it has reached the specified record length.

When transferring data from the instrument, you must specify the first and last data points in the waveform record. Setting DATA:START to 1 and DATA:STOP to the record length will always return the entire waveform.

Waveform Data Locations and Memory Allocation. The DATA:SOURce command specifies the waveform source when transferring a waveform from the instrument. Waveforms sent to the instrument are always stored in one of the four reference memory locations. Use the DATA:DESTination command to specify a reference memory location.

Waveform Preamble. Each waveform that you transfer has an associated waveform preamble that contains information such as the horizontal scale, the vertical scale, and other settings in effect when the waveform was created. Refer to the individual WFMInpre and WFMOupre commands for more information.

Scaling Waveform Data. Once you transfer the waveform data to the controller, you can convert the data points into voltage values for analysis using information from the waveform preamble.

Transferring Waveform Data from the Instrument.

You can transfer waveforms from the instrument to an external controller using the following sequence:

1. Select the waveform source(s) using DATA:SOURce.
2. Specify the waveform data format using DATA:ENCdg.
3. Specify the number of bytes per data point using WFMOupre:BYT_Nr.

Note: MATH waveforms (and REF waveforms that came from a MATH) are always set to four bytes.

4. Specify the portion of the waveform that you want to transfer using DATA:START and DATA:STOP.
5. Transfer waveform preamble information using WFMOupre.
6. Transfer waveform data from the instrument using CURVe.

Transferring Waveform Data to the Instrument.

1. Specify waveform reference memory using DATA:DESTination.
2. Set WFMInpre:NR_Pt to equal the number of data points to be sent.
3. Specify the waveform data format using WFMInpre:ENCdg.
4. Specify the number of bytes per data point using WFMInpre:BYT_Nr.
5. Specify first data point in the waveform record using DATA:START.
6. Transfer waveform preamble information using WFMInpre.
7. Transfer the waveform data using CURVe.

Note: FastAcq waveforms cannot be returned to the instrument via the CURVe command.

Command	Description
ALLOcate:WAVEform:REF<x>?	Returns the record length for the specified reference waveform, if active, or zero (0) if not active
CURVe	The command format transfers waveform data to the instrument (reference memory location specified by DATA:DESTination) The query format transfers waveform data from instrument specified by the DATA:SOURce command
CURVENext?	Returns unique waveform data from a new acquisition
CURVEStream	Transfers continuously the waveform data from the instrument as it is acquired
DATA	Sets the format and location of the waveform data that is transferred with the CURVe Command Or returns the format and location of the waveform data that is transferred with the CURVe? command
DATA:DESTination	Sets or returns the reference memory location for storing waveform data sent to the instrument
DATA:ENCdg	Sets or returns the format of outgoing waveform data
DATA:FRAMESTART	Sets or queries the starting data frame for waveform transfer
DATA:FRAMESTOP	Sets or queries the ending data frame for waveform transfer
DATA:SOURce	Sets or returns the location of waveform data transferred from the instrument

Command	Description
DATa:START	Sets or returns the starting point in waveform transfer
DATa:STOP	Sets or returns the ending data point in waveform transfer
WAVFrm?	Returns WFMOUTpre? and CURVe? data for the waveform as specified by the DATA:SOURce command
WAVFRMStream?	Returns WFMOUTPRE? and CURVESTREAM? data for the waveforms specified by the DATASOURCE command
WFMinpre?	Returns the waveform formatting specification to be applied to the next incoming CURVE command data
WFMinpre:BIT_Nr	Sets or returns the number of bits per binary waveform point
WFMinpre:BN_Fmt	Sets or returns the format of binary data for the incoming waveform
WFMinpre:BYT_Nr	Sets or returns the binary field data width for the first ordered waveform
WFMinpre:BYT_Or	Sets or returns the byte order of waveform points
WFMinpre:ENCdg	Sets or returns the type of encoding for incoming waveform data
WFMinpre:NR_Pt	Sets or returns the number of points in the transmitted waveform record
WFMinpre:PT_Fmt	Sets or returns the point format of incoming waveform data
WFMinpre:PT_Off	Sets or returns the trigger point within the incoming waveform data
WFMinpre:WFId	Allows a waveform extracted from the instrument to be more easily sent back
WFMinpre:XINcr	Sets or returns the horizontal sampling interval between incoming waveform points
WFMinpre:XUNit	Sets or returns the horizontal units of the incoming waveform
WFMinpre:XZEro	Sets or returns the (sub-sample) time between the trigger sample and the occurrence of the actual incoming waveform trigger
WFMinpre:YMUIt	Sets or returns the vertical scale factor, per digitizing level, of the incoming waveform points
WFMinpre:YOff	Sets or returns the vertical position of the incoming waveform in digitizing levels

Command	Description
WFMInpre:YUNit	Sets or returns the vertical units of the incoming waveform
WFMInpre:YZEro	Sets or returns the offset of the incoming waveform
WFMOutpre?	Returns the waveform formatting data for the waveform specified by the DATA:SOURCE command
WFMOutpre:BIT_Nr	Sets or returns the number of bits per waveform point that outgoing waveforms contain
WFMOutpre:BN_Fmt	Sets or returns the format of binary data for the waveform
WFMOutpre:BYT_Nr	Sets or returns the data width for the waveform
WFMOutpre:BYT_Or	Sets or returns the byte order of waveform points
WFMOutpre:ENCdg	Sets or returns the type of encoding for outgoing waveforms
WFMOutpre:NR_Pt?	Returns the number of points for the waveform transmitted in response to a CURVe? query
WFMOutpre:PT_Fmt?	Returns the point format for the waveform
WFMOutpre:PT_Off?	Returns the trigger point relative to DATA:START for the waveform
WFMOutpre:PT_ORder?	Returns whether the source waveform is DPO
WFMOutpre:WFId?	Returns a string describing the acquisition parameters for the waveform
WFMOutpre:XINcr?	Returns the horizontal sampling interval
WFMOutpre:XUNit?	Returns the horizontal units for the waveform
WFMOutpre:XZEro?	Returns the (sub-sample) time between the trigger sample and the occurrence of the actual waveform trigger
WFMOutpre:YMUlt?	Returns the vertical scale factor per digitizing level for the waveform
WFMOutpre:YOff?	Returns the vertical offset in digitizing levels for the waveform
WFMOutpre:YUNit?	Returns the vertical units for the waveform
WFMOutpre:YZEro?	Returns the vertical offset for the waveform

Command	Description
WFMinpre:NR_FR	Sets or returns one frame, indicating the number of frames in the transmitted waveform record
WFMOutpre:NR_FR?	Query-only command returns the number of frames for the DATA:SOURce waveform transmitted in response to a CURVe? query

Zoom Command Group

Zoom commands let you expand and position the waveform display horizontally and vertically, without changing the time base or vertical settings.

You can specify up to four zoom areas. You can also specify a zoomed waveform as a zoom source, which enables you to zoom in on a zoomed waveform.

Command	Description
ZOOM	Resets the zoom transforms to default values for all traces or live traces. The ZOOM query returns the current vertical and horizontal positioning and scaling of the display
ZOOM:GRAticule:SIZE	Sets or returns the size of the zoom graticule
ZOOM:HORizontal:POSition	Sets or queries the horizontal position around which the zoom waveform is displayed. It is freely movable within the confines of the acquired waveform (0% to 100%) and measured from left to right of the acquired waveform
ZOOM:HORizontal:SCAle	Sets or queries the zoom horizontal scale factor around which the zoom waveform is displayed
ZOOM:MATH<x>:HORizontal:POSition	Sets or queries the horizontal position of the specified math waveform
ZOOM:MATH<x>:HORizontal:SCAle	Sets or queries the zoom horizontal scale factor of the specified math waveform
ZOOM:MATH<x>:VERTical:POSition	Sets or queries the vertical position of the specified math waveform
ZOOM:MATH<x>:VERTical:SCAle	Sets or queries the vertical scale of the specified math waveform
ZOOM:MODe	Sets or returns the zoom mode
ZOOM:REF<x>:HORizontal:POSition	Sets or queries the horizontal position of the specified reference waveform
ZOOM:REF<x>:HORizontal:SCAle	Sets or queries the zoom horizontal scale factor of the specified reference waveform

Command	Description
ZOOm:REF<x>:VERTical:POSition	Sets or queries the vertical position of the specified reference waveform
ZOOm:REF<x>:VERTical:SCAle	Sets or queries the zoom vertical scale of the specified reference waveform
ZOOm:SCROLL:DIREction	Sets or returns the direction of AutoScroll for zoomed waveforms
ZOOm:SCROLL:LOCK	Sets or returns the state of Scroll Lock, on or off
ZOOm:SCROLL:SPEED	Sets or returns the speed of AutoScroll for zoomed waveforms
ZOOm:STATE	Specifies or returns a trace as zoomed, on or off
ZOOm:VERTical:POSition	Sets or queries the vertical position around which the zoom waveform is displayed. It is freely movable within the confines of the acquired waveform (0% to 100%) and measured from left to right of the acquired waveform
ZOOm:VERTical:SCAle	Sets or queries the zoom vertical scale factor around which the zoom waveform is displayed
ZOOm:ZOOM<x>	Sets or returns zoom factors for the specified zoom
ZOOm:ZOOM<x>:<wfm>:HORizontal:POSition	Sets or returns the horizontal zoom position for the specified waveform in the specified zoom
ZOOm:ZOOM<x>:<wfm>:HORizontal:SCAle	Sets or returns the horizontal zoom scale of the specified waveform in the specified zoom
ZOOm:ZOOM<x>:<wfm>:HORizontal:TIMEPosition	Sets or queries the zoom horizontal position of the specified waveform for the specified zoom in time
ZOOm:ZOOM<x>:<wfm>:VERTical:POSition	Sets or returns the vertical zoom position for the specified waveform in the specified zoom
ZOOm:ZOOM<x>:<wfm>:VERTical:SCAle	Sets or returns the vertical zoom scale for the specified waveform in the specified zoom
ZOOm:ZOOM<x>:SCROLLLock	Sets or returns Scroll Lock for the specified zoom
ZOOm:ZOOM<x>:<wfm>:DISplay	Sets or returns the display of the specified waveform for the specified zoom
ZOOm:ZOOM<x>:STATE	Sets or queries the specified zoom on or off, where x is an integer from 1 to 4 representing the desired zoom window

Commands Listed in Alphabetical Order

ACQUIRE:INTERPEIGHTBIT

This command sets or queries the interpolation acquisition mode of the instrument.

Group Acquisition

Syntax ACQUIRE:INTERPEIGHTBIT {AUTO|ON|OFF}
ACQUIRE:INTERPEIGHTBIT?

Arguments AUTO lets the instrument automatically select the interpolation acquisition mode.
ON turns on the eight bit interpolation mode.
OFF turns off the eight bit interpolation mode.
Trial

Examples ACQUIRE:INTERPEIGHTBIT ON sets the interpolation sampling mode ON.
ACQUIRE:INTERPEIGHTBIT? might return :ACQUIRE:INTERPEIGHTBIT
AUTO indicating the interpolation sampling mode is set to AUTO.

ACQUIRE:MODE

This command sets or queries the acquisition mode of the instrument. This affects all live waveforms. This command is equivalent to selecting Horizontal/Acquisition from the Horiz/Acq menu, and then choosing the desired mode from the Acquisition Mode group box.

Waveforms are the displayed data point values taken from acquisition intervals. Each acquisition interval represents a time duration set by the horizontal scale (time per division). The instrument sampling system always samples at the maximum rate and so an acquisition interval may include more than one sample.

The acquisition mode (which you set using this ACQUIRE:MODE command) determines how the final value of the acquisition interval is generated from the many data samples.

Group Acquisition

Syntax ACQUIRE:MODE
{SAMPLE|PEAKDETECT|HIRES|AVERAGE|WFMDB|ENVELOPE}

ACQUIRE:MODE?

Related Commands [ACQUIRE:NUMAVG](#), [CURVE](#)

Arguments

SAMPLE specifies that the displayed data point value is the first sampled value that is taken during the acquisition interval. In sample mode, all waveform data has 8 bits of precision. You can request 16 bit data with a [CURVE](#) query but the lower-order 8 bits of data will be zero. **SAMPLE** is the default mode.

PEAKdetect specifies the display of high-low range of the samples taken from a single waveform acquisition. The high-low range is displayed as a vertical column that extends from the highest to the lowest value sampled during the acquisition interval. **PEAKdetect** mode can reveal the presence of aliasing or narrow spikes.

HIRES specifies Hi Res mode where the displayed data point value is the average of all the samples taken during the acquisition interval. This is a form of averaging, where the average comes from a single waveform acquisition. The number of samples taken during the acquisition interval determines the number of data values that compose the average.

AVERAGE specifies averaging mode, in which the resulting waveform shows an average of **SAMPLE** data points from several separate waveform acquisitions. The instrument processes the number of waveforms you specify into the acquired waveform, creating a running exponential average of the input signal. The number of waveform acquisitions that go into making up the average waveform is set or queried using the [ACQUIRE:NUMAVG](#) command.

ENVELOPE specifies envelope mode, where the resulting waveform shows the **PEAKdetect** range of data points from several separate waveform acquisitions. The number of waveform acquisitions that go into making up the envelope waveform is set or queried using the [ACQUIRE:NUMENV](#) command.

WFMDB (Waveform Database) mode acquires and displays a waveform pixmap. A pixmap is the accumulation of one or more acquisitions.

The instrument acquires data after each trigger event using Sample mode; it then determines the pix map location of each sample point and accumulates it with stored data from previous acquisitions.

A Pix map is a two dimensional array. The value at each point in the array is a counter that reflects the hit intensity. Infinite and noninfinite persist display modes affect how pix maps are accumulated. Zoom, Math, FastAcq, FastFrame, XY, Roll, and Interpolated Time (IT) Sampling Mode are conflicting features to **WFMDB** acqMode. Turning on one of them generally turns the other one off. Selection of some standard masks (for example, eye masks, which require option **MTM**) changes the acquisition mode to **WFMDB**.

- Examples** ACQUIRE:MODE ENVELOPE sets the acquisition mode to display a waveform that is an envelope of many individual waveform acquisitions.
- ACQUIRE:MODE? might return :ACQUIRE:MODE AVERAGE, indicating that the displayed waveform is the average of the specified number of waveform acquisitions.

ACQUIRE:NUMACQ? (Query Only)

This query-only command returns the number of waveform acquisitions that have occurred since starting acquisition with the ACQUIRE:STATE RUN command. This value is reset to zero when any acquisition, horizontal, or vertical arguments that affect the waveform are changed. The maximum number of acquisitions that can be counted is $2^{30}-1$. The instrument stops counting when this number is reached. This is the same value that displays in the lower right of the screen.

Group Acquisition

Syntax ACQUIRE:NUMACQ?

Related Commands [ACQUIRE:STATE](#)

- Examples** ACQUIRE:NUMACQ? might return :ACQUIRE:NUMACQ 350, indicating that 350 acquisitions have occurred since executing an ACQUIRE:STATE RUN command.

ACQUIRE:NUMAVG

This command sets or queries the number of waveform acquisitions that make up an averaged waveform. Use the ACQUIRE:MODE command to enable the Average mode. Sending this command is equivalent to selecting Horizontal/Acquisition Setup from the Horiz/Acq menu, selecting the Acquisition tab, and choosing Average from the Acquisition Mode group box. Then enter the desired number of waveforms that will be used to make up an averaged waveform in the # of Wfms box.

Group Acquisition

Syntax ACQUIRE:NUMAVG <NR1>
ACQUIRE:NUMAVG?

Related Commands [ACQUIRE:MODE](#)

Arguments NR1 is the number of waveform acquisitions to average.

Examples ACQUIRE:NUMAVG 10 specifies that 10 waveform averages will be performed before exponential averaging starts.

ACQUIRE:NUMAVG? might return :ACQUIRE:NUMAVG 75, indicating that there are 75 acquisitions specified for averaging.

ACQUIRE:NUMENV

This command sets or queries the number of waveform acquisitions that make up an envelope waveform. Sending this command is equivalent to setting the # of Wfms in the Acquisition Setup menu when Envelope Acquisition mode is selected.

NOTE. Sending INFINITE as an argument sets 2e9 envelopes. The query response will be 2e9 not INFINITE.

Group Acquisition

Syntax ACQUIRE:NUMENV {<NR1>|INFINITE}
ACQUIRE:NUMENV?

Arguments NR1 is the number of waveform acquisitions to be enveloped.

INFINITE

Examples ACQUIRE:NUMENV 10 specifies that an enveloped waveform will show the result of combining 10 separately acquired waveforms.

ACQUIRE:NUMENV? might return :ACQUIRE:NUMENV 75, indicating that 75 acquisitions are acquired for enveloped waveforms.

ACQUIRE:NUMFRAMESACQUIRED? (Query Only)

This query-only command returns the number of frames acquired when in FastFrame Single Sequence and acquisitions are running. When the FastFrame single sequence stop condition is set to Stop Manually, this number counts past the number of frames which were requested as new frames are acquired, until STOP is pushed. When not in FastFrame Single Sequence, this value is the same number reported by ACQ:NUMACQ.

Group	Acquisition
Syntax	ACQuire:NUMFRAMESACQuired?
Related Commands	ACQuire:NUMACq?
Examples	ACQUIRE:NUMFRAMESACQUIRED? might return :ACQUIRE:NUMFRAMESACQUIRED 350, indicating that 350 frames have been acquired.

ACQuire:NUMSAMples

This command sets or queries the minimum number of acquired samples that make up a waveform database (WfmDB) waveform for single sequence mode and Mask Pass/Fail Completion Test. This is equivalent to setting the Waveform Database Samples in the Acquisition Mode side menu.

Group	Acquisition
Syntax	ACQuire:NUMSAMples {<NR1>} ACQuire:NUMSAMples?
Arguments	NR1 is the minimum number of acquired samples that make up a waveform database (WfmDB) waveform for single sequence mode and Mask Pass/Fail Completion Test. The default value is 16,000 samples. The range is 5,000 to 2,147,400,000 samples. In real time mode, if the entire trace is displayed, one triggered acquisition should acquire 5000 samples for a record length of 5000. If you want 5001 samples, the instrument will need to make two acquisitions (10,000 samples). If you request fewer samples than the record length, the number of samples will be the same as the record length.
Examples	ACQUIRE:NUMSAMPLES 5000 specifies that 5000 samples will be acquired in WfmDB mode for single sequence mode and Mask Pass/Fail Completion Test. ACQUIRE:NUMSAMPLES? might return :ACQUIRE:NUMSAMPLES 10000, indicating that there are 10,000 samples to be acquired in WfmDB mode for single sequence and Mask Pass/Fail Completion Test.

ACQUIRE:SAMPLINGMODE

This command sets or queries the sampling mode.

Group Acquisition

Syntax ACQUIRE:SAMPLINGMODE {RT|IT|ET}
ACQUIRE:SAMPLINGMODE?

Arguments RT sets the sampling mode to real time only.

IT sets the sampling mode to interpolation allowed (OFF in REPET).

ET sets the sampling mode to equivalent time allowed (ON in REPET).

The number of channels selected and the sampling speed affects the mode that the instrument uses to acquire data. At slow sampling speeds the instrument uses real time sampling. At fast sampling speeds, the instrument uses equivalent time sampling or interpolation. For speeds between these extremes, some instruments create waveform records differently, depending on the number of input channels selected.

Examples ACQUIRE:SAMPLINGMODE IT specifies that interpolation is allowed.

ACQUIRE:SAMPLINGMODE? might return: ACQUIRE:SAMPLINGMODE RT, indicating that sampling mode is real time only.

ACQUIRE:STATE

This command starts or stops acquisitions. When state is set to ON or RUN, a new acquisition will be started. If the last acquisition was a single acquisition sequence, a new single sequence acquisition will be started. If the last acquisition was continuous, a new continuous acquisition will be started.

If RUN is issued in the middle of completing a single sequence acquisition (for example, averaging or enveloping), the acquisition sequence is restarted, and any accumulated data is discarded. Also, the instrument resets the number of acquisitions. If the RUN argument is issued while in continuous mode, a reset occurs and acquired data continues to acquire.

If acquire:stopafter is SEQUENCE, pressing the front-panel RUN/STOP button is equivalent to sending these commands: ACQUIRE:STOPAFTER RUNSTOP and ACQUIRE:STATE.

Group Acquisition

Syntax ACQuire:STATE {OFF|ON|RUN|STOP|<NR1>}
ACQuire:STATE?

Related Commands [ACQuire:STOPAfter](#)

Arguments OFF stops acquisitions.
STOP stops acquisitions.
ON starts acquisitions.
RUN starts acquisitions.
NR1=0 stops acquisitions; any other value starts acquisitions.

Examples ACQUIRE:STATE RUN starts the acquisition of waveform data and resets the count of the number of acquisitions.
ACQUIRE:STATE? might return :ACQUIRE:STATE 0, indicating that the acquisition is stopped.

ACQuire:STOPAfter

This command sets or queries whether the instrument continually acquires acquisitions or acquires a single sequence. Pressing SINGLE on the front panel button is equivalent to sending these commands: ACQUIRE:STOPAFTER SEQUENCE and ACQUIRE:STATE 1.

Group Acquisition

Syntax ACQuire:STOPAfter {RUNSTop|SEQUence}
ACQuire:STOPAfter?

Related Commands [ACQuire:STATE](#)

Arguments RUNSTop specifies that the instrument will continually acquire data, if ACQuire:STATE is turned on.
SEQUence specifies that the next acquisition will be a single-sequence acquisition.

Examples ACQUIRE:STOPAFTER RUNSTOP sets the instrument to continually acquire data.
 ACQUIRE:STOPAFTER? might return: ACQUIRE:STOPAFTER SEQUENCE, indicating that the next acquisition the instrument makes will be of the single-sequence type.

ACQUIRE? (Query Only)

This query-only command returns the following current acquisition parameters:

- Stop after
- Acquisition state
- Mode
- Number of envelopes
- Number of averages
- Number of samples
- Sampling mode

Group Acquisition

Syntax ACQUIRE?

Related Commands [ACQUIRE:MODE](#), [ACQUIRE:NUMFRAMESACQUIRED?](#), [ACQUIRE:NUMAVG](#), [ACQUIRE:NUMENV](#), [ACQUIRE:STOPAFTER](#)

Examples ACQUIRE? might return the following string for the current acquisition parameters:
 :ACQUIRE:STOPAFTER RUNSTOP;STATE 1;MODE SAMPLE;NUMENV 10;NUMAVG 16;NUMSAMPLES 16000;SAMPLINGMODE IT.

ALIAS

This command sets or queries the state of alias functionality.

Group Alias

Syntax ALIAS {OFF|ON|<NR1>}
 ALIAS?

Related Commands [ALias:STATE](#)

Arguments OFF turns Alias expansion off. If a defined alias is sent when ALias:STATE is off, a command error (102) will be generated.

ON turns Alias expansion on. When a defined alias is received, the specified command sequence is substituted for the alias and executed.

NR1=0 disables Alias mode; any other value enables Alias mode.

Examples ALIAS ON turns the alias feature on. When a defined alias is received, the specified command sequence is substituted for the alias and executed.

ALIAS? might return :ALIAS:STATE 1, indicating that the alias feature is on.

ALias:CATalog? (Query Only)

This query-only command returns a list of the currently defined alias labels, separated by commas. If no aliases are defined, the query returns the string "".

Group Alias

Syntax ALias:CATalog?

Examples ALIAS:CATALOG? might return the string :ALIAS:CATALOG "SETUP1", "TESTMENU1", "DEFAULT" showing that there are three aliases named SETUP1, TESTMENU1, and DEFAULT.

ALias:DEFine

This command assigns a sequence of program messages to an alias label. These messages are then substituted for the alias whenever it is received as a command or query, provided that ALias:STATE has been turned on. The query form of this command returns the definitions of a selected alias.

NOTE. *Attempting to give two aliases the same name causes an error. To give a new alias the name of an existing alias, the existing alias must first be deleted.*

Group Alias

Syntax ALIAS:DEFINE <QString><,>{<QString>|<Block>}
ALIAS:DEFINE?

Related Commands [ALIAS:STATE](#)

Arguments The first <QString> is the alias label.

This label cannot be a command name. Labels must start with a letter and can contain only letters, numbers, and underscores; other characters are not allowed. The label must be less than or equal to 12 characters.

The second <QString> or <Block> is a complete sequence of program messages. The messages can contain only valid commands that must be separated by semicolons and must follow all rules for concatenating commands. The sequence must be less than or equal to 256 characters.

Examples ALIAS:DEFINE "ST1",":RECALL:SETUP 5;:AUTOSET EXECUTE;:SELECT:CH1 ON" defines an alias named "ST1" that sets up the instrument.

ALIAS:DEFINE? "ST1" returns :ALIAS:DEFINE "ST1",#246 :RECALL:SETUP 5;:AUTOSET EXECUTE;:SELECT:CH1 ON.

ALIAS:DELETE (No Query Form)

This command removes a specified alias and is identical to ALIAS:DELETE:NAME. An error message is generated if the named alias does not exist.

Group Alias

Syntax ALIAS:DELETE <QString>

Related Commands [*ESR?](#), [ALIAS:DELETE:ALL](#)

Arguments <QString> is the name of the alias to be removed. Using ALIAS:DELETE without specifying an alias causes an execution error. <QString> must be a previously defined value.

Examples ALIAS:DELETE "SETUP1" deletes the alias named SETUP1.

ALias:DELEte:ALL (No Query Form)

This command deletes all existing aliases.

Group Alias

Syntax ALIas:DELEte:ALL

Related Commands [ALias:DELEte](#), [ALias:DELEte:NAME](#)

Examples ALIAS:DELETE:ALL deletes all existing aliases.

ALias:DELEte:NAME (No Query Form)

This command removes a specified alias. An error message is generated if the named alias does not exist. This command is identical to ALIAS:DELETE.

Group Alias

Syntax ALIas:DELEte:NAME <QString>

Arguments <QString> is the name of the alias to remove. Using ALIAS:DELETE:NAME without specifying an alias causes an exception error. <QString> must be a previously defined alias.

Examples ALIAS:DELETE:NAME "STARTUP" deletes the alias named STARTUP.

ALias:STATE

This command turns aliases on or off and is identical to the ALIAS command. The query form of this command returns the state of the aliases.

Group Alias

Syntax ALIas:STATE {OFF|ON|<NR1>}
ALIas:STATE?

Arguments OFF turns alias expansion off. If a defined alias is sent when `ALIAS:STATE` is OFF, the instrument generates a command error (102).

ON turns alias expansion on. When a defined alias is received, the specified command sequence is substituted for the alias and executed.

`<NR1>=0` turns off aliases; any other value turns on aliases.

Examples `ALIAS:STATE OFF` turns off the alias feature.

`ALIAS:STATE?` might return `:ALIAS:STATE ON`, indicating that alias expansion is currently turned on.

ALLEV? (Query Only)

This query-only command prompts the instrument to return all events and their messages (delimited by commas), and removes the returned events from the Event Queue. Use the `*ESR?` query to enable the events to be returned. This command is similar to repeatedly sending `*EVMsg?` queries to the instrument.

Group Status and Error

Syntax ALLEV?

Related Commands [*ESR?](#), [EVMsg?](#)

Examples `ALLEV?` might return `:ALLEV 2225,"Measurement error, No waveform to measure; "420,"Query UNTERMINATED;"`.

ALLOCate:WAVEform:REF<x>? (Query Only)

This query-only command returns the record length for the specified reference waveform, if active, or zero (0) if not active (that is, no slot exists for the reference waveform).

Group Waveform Transfer

Syntax `ALLOCate:WAVEform:REF<x>?`

Examples ALLOCATE:WAVEFORM:REF3? might return 5000 if a 5000 point waveform was active in the reference 3 slot.

AUTOSet (No Query Form)

This command (no query format) sets the vertical, horizontal, and trigger controls of the instrument to automatically acquire and display the selected waveform. (To autoselect a video waveform, the video trigger must be set to video standard, not custom. Video arguments require video hardware.) This is equivalent to pressing the front-panel AUTOSET button. For a detailed description of autoselect functionality, see *Autoselect* in the index of the online help for your instrument.

Group Miscellaneous

Syntax AUTOSet {EXECute|UNDO|VIDeo|VLines|VFields}

Related Commands [DISplay:GRAticule](#)

Arguments EXECute autoselects the displayed waveform; this is equivalent to pressing the front-panel AUTOSET button. If the display is set to a PAL, MV, or IRE graticule, this argument forces the graticule display to full mode (frame, grid, and cross hair).

UNDO returns the instrument to the setting prior to executing an autoselect.

VIDeo autoselects the displayed waveform.

VLines autoselects the displayed waveform.

VFields autoselects the displayed waveform.

Examples AUTOSET VFields sets the instrument to trigger on all video fields.

AUXIn:BANdwidth

This command sets or queries the selectable low-pass bandwidth limit filter of the AUX In input. The bandwidth will change with an appropriate probe attached. This is equivalent to selecting Bandwidth from the Vertical menu.

The query form of this command always returns the maximum bandwidth of the AUX In input.

Group Vertical

Syntax AUXIn:BAWdwidth <NR3>
AUXIn:BAWdwidth?

Arguments <NR3> is one of the supported bandwidths on the attached probe.

Examples AUXIN: BANDWIDTH 10.0000E+9 sets the bandwidth of AUX In input to 10 GHz.

AUXIN: BANDWIDTH?, for DPO7054 instruments, might return :AUXIN: BANDWIDTH 500.0000E+06, indicating that there is no bandwidth limiting on the AUX In input.

AUXIn:COUPLing

This command sets or queries the input attenuator coupling setting for the AUX In input. The coupling will change with an appropriate probe attached. This command is equivalent to selecting Coupling from the Vertical menu.

Group Vertical

Syntax AUXIn:COUPLing <NR3>
AUXIn:COUPLing?

Arguments <NR3> is one of the supported input attenuator couplings on the attached probe.

Examples AUXIN: COUPLING GND sets the AUX In input to ground.

AUXIN: COUPLing? might return :AUXIN: COUPLing GND, indicating that AUX In input is set to GND coupling.

AUXIn:OFFSet

This command sets or queries the vertical offset for the AUX In input. This command is equivalent to selecting Offset from the Vertical menu.

This command offsets the vertical acquisition window (moves the level at the vertical center of the acquisition window) for the input. Visualize offset as scrolling the acquisition window towards the top of a large signal for increased offset values, and scrolling towards the bottom for decreased offset values. The resolution of the vertical window sets the offset increment for this control.

Offset adjusts only the vertical center of the acquisition window to help determine what data is acquired. The instrument always displays the input signal minus the

offset value. The channel reference marker will move to the vertical graticule position given by the negative of the offset value divided by the scale factor, unless that position is off-screen. If the computed coordinate for the reference mark is off-screen, the mark moves to the nearest screen limit and changes from a right-pointing arrow (→) to an arrow pointing in the appropriate off-screen direction.

Group Vertical

Syntax AUXIn:OFFSet <NR3>
AUXIn:OFFSet?

Arguments <NR3> is the offset value for the specified channel.

Examples AUXIN:OFFSet 2.0E-3 sets the offset for AUX In input to 2 mV.
AUXIN:OFFSet? might return :AUXIN:OFFSET 1.0000E-03, indicating that the offset for AUX In input is set to 1 mV.

AUXIn:PRObe:AUTOZero (No Query Form)

The command sets the probe attached to the AUX In input to autozero.

Group Vertical

Syntax AUXIn:PRObe:AUTOZero EXECute

Arguments EXECUTE sets the probe to autozero.

Examples AUXIN:PROBE:AUTOZERO EXECUTE sets the probe to autozero.

AUXIn:PRObe:DEGAUSS (No Query Form)

This command starts a degauss cycle of the probe attached to the AUX In input. The degauss cycle will change with an appropriate probe attached.

Group Vertical

Syntax `AUXIn:PRObe:DEGAUSS EXECute`

Arguments EXECUTE starts a probe degauss cycle.

Examples `AUXIN:PROBE:DEGAUSS EXECUTE`, degausses the probe attached to the AUX In input.

AUXIn:PRObe:DEGAUSS:STATE? (Query Only)

This command queries whether the probe attached to the AUX In input has been degaussed.

Group Vertical

Syntax `AUXIn:PRObe:DEGAUSS:STATE?`

Examples `AUXIN:PROBE:DEGAUSS:STATE?` might return `AUXIN:PROBE:DEGAUSS:STATE PASSED`, indicating that the probe has been degaussed.

AUXIn:PRObe:FORCEDRange

This command sets the probe attached to the AUX In input to the specified range, or the command queries the probe range.

Group Vertical

Syntax `AUXIn:PRObe:FORCEDRange <NR3>`
`AUXIn:PRObe:FORCEDRange?`

Arguments <NR3> specifies the probe range.

Examples If a TCP0030 current probe is attached the AUX IN input, `AUXIN:PROBE:FORCEDRANGE 5.0` sets the probe to its 5 Ampere range.

`AUXIN:PROBE:FORCEDRANGE` might return `:AUXIN:PROBE:FORCEDRANGE 10.0000E+36`, indicating that the probe range is set to 10.0000E+36 dB.

AUXIn:PRObe:GAIN? (Query Only)

This query-only command returns the gain factor of the probe that is attached to the AUX In input. The “gain” of a probe is the output divided by the input transfer ratio. For example, a common 10x probe has a gain of 0.1.

Group Vertical

Syntax AUXIn:PRObe:GAIN?

Examples AUXIN:PROBE:GAIN? might return :AUXIN:PROBE:GAIN 0.1000E+00, indicating that the attached 10x probe delivers 0.1 V to the AUX In BNC for every 1.0 V applied to the probe input.

AUXIn:PRObe:ID:SERnumber? (Query Only)

This query-only command returns the probe serial number.

Group Vertical

Syntax AUXIn:PRObe:ID:SERnumber?

Examples AUXIN:PROBE:ID:SERNUMBER? might return :AUXIN:PROBE:ID:SERNUMBER “B999999”, indicating that the probe serial number is set to B999999.

AUXIn:PRObe:ID:TYPE? (Query Only)

This query-only command returns the probe type.

Group Vertical

Syntax AUXIn:PRObe:ID:TYPE?

Examples AUXIN:PROBE:ID:TYPE? might return :AUXIN:PROBE:ID:TYPE “TAP1500”, indicating that the probe type is set to TAP1500.

AUXIn:PRObe:INPUTMode

This command sets or returns one of the probe's four input modes on the AUX In input.

Group Vertical

Syntax `AUXIn:PRObe:INPUTMode`
`{makeEnumList(signalPathMgr_probeTipMode)}`
`AUXIn:PRObe:INPUTMode?`

Arguments `DEFAULT` sets the probe to the default mode.
`DIFFERENTIAL` sets the probe to route differential signals to the host.
`COMMONMODE` sets the probe to route common-mode signals to the host.
`A` sets the probe to route single-ended A signals to the host.
`B` sets the probe to route single-ended B signals to the host.

Examples `AUXIN:PROBE:INPUTMODE A` sets the probe to route single-ended A signals to the host.
`AUXIN:PROBE:INPUTMODE?` might return `:AUXIN:PROBE:INPUTMODE DEFAULT`, indicating that the probe input mode on the AUXIN input is set to `DEFAULT`.

AUXIn:PRObe:INPUTMode:AOffset

This command sets or returns the requested A mode offset control of the probe that is attached to the AUX In input.

Group Vertical

Syntax `AUXIn:PRObe:INPUTMode:AOffset`
`AUXIn:PRObe:INPUTMode:AOffset?`

Arguments `NR3` specifies the A mode offset control.

Examples `AUXIN:PROBE:INPUTMODE:AOFFSET 0.2`, sets the A mode offset control to 0.2 V.

AUXIN:PROBE:INPUTMODE:AOFFSET? might return :AUXIN:PROBE:INPUTMODE:AOFFSET 0.0000, indicating that the A mode offset control is set to 0 V.

AUXIn:PRObe:INPUTMode:BOFFSet

This command sets or returns the requested B mode offset control of the probe that is attached to the AUX In input.

Group	Vertical
Syntax	AUXIn:PRObe:INPUTMode:BOFFSet AUXIn:PRObe:INPUTMode:BOFFSet?
Arguments	NR3 specifies the B mode offset control.
Examples	AUXIN:PROBE:INPUTMODE:BOFFSET 0.2 sets the B mode offset control to 0.2 V. AUXIN:PROBE:INPUTMODE:BOFFSET? might return :AUXIN:PROBE:INPUTMODE:BOFFSET? "0.0000", indicating that the B mode offset control is set to 0 V.

AUXIn:PRObe:INPUTMode:CMOFFSet

This command sets or returns the requested common mode offset control of the probe that is attached to the AUX In input.

Group	Vertical
Syntax	AUXIn:PRObe:INPUTMode:CMOFFSet AUXIn:PRObe:INPUTMode:CMOFFSet?
Arguments	NR3 specifies the common mode offset control
Examples	AUXIN:PROBE:INPUTMODE:CMOFFSET 0.2 sets the common mode offset control to 0.2 V.

AUXIN:PROBE:INPUTMODE:CMOFFSET? might return :AUXIN:PROBE:INPUTMODE:CMOFFSET? "0.0000", indicating that the common mode offset control is set to 0 V.

AUXIn:PRObe:INPUTMode:DMOFFSet

This command sets or returns the requested differential mode offset control of the probe that is attached to the AUX In input.

Group	Vertical
Syntax	AUXIn:PRObe:INPUTMode:DMOFFSet AUXIn:PRObe:INPUTMode:DMOFFSet?
Arguments	NR3 specifies the differential mode offset control.
Examples	AUXIN:PROBE:INPUTMODE:DMOFFSET 0.2 sets the differential mode offset control to 0.2 V. AUXIN:PROBE:INPUTMODE:DMOFFSET? might return :AUXIN:PROBE:INPUTMODE:DMOFFSET? "0.0000", indicating that the differential mode offset control is set to 0 V.

AUXIn:PRObe:RANge

This command controls or queries the set attenuation range of the probe on the AUX In input.

Group	Vertical
Syntax	AUXIn:PRObe:RANge {ATTEN1X ATTEN1_25X ATTEN1_5X ATTEN1_75X ATTEN2X ATTEN2_5X ATTEN3X ATTEN3_5X ATTEN4X ATTEN4_5X ATTEN5X ATTEN5_5X ATTEN6X ATTEN6_5X ATTEN7X ATTEN7_5X ATTEN8X ATTEN8_5X ATTEN9X ATTEN9_5X ATTEN10X ATTEN12_5X ATTEN15X ATTEN17_5X ATTEN20X ATTEN25X ATTEN30X ATTEN35X ATTEN40X ATTEN45X ATTEN50X ATTEN55X ATTEN60X ATTEN65X ATTEN70X ATTEN75X ATTEN80X ATTEN85X ATTEN90X ATTEN95X ATTEN100X ATTEN125X ATTEN150X ATTEN175X ATTEN200X ATTEN250X ATTEN300X ATTEN350X ATTEN400X ATTEN450X ATTEN500X ATTEN550X ATTEN600X ATTEN650X ATTEN700X ATTEN750X ATTEN800X ATTEN850X ATTEN900X ATTEN950X ATTEN1000X} AUXIn:PRObe:RANge?

Examples `AUXIN:PROBE:RANGE ATTEN10X` sets the probe attenuation to 10X.
`AUXIN:PROBE:RANGE?` might return `:AUXIN:PROBE:RANGE ATTEN1_25X`, indicating that the probe attenuation is set to 25X.

AUXIn:PRObe:RESistance? (Query Only)

This query-only command returns the resistance factor of the probe that is attached to the AUX In input.

Group Vertical

Syntax `AUXIn:PRObe:RESistance?`

Examples `AUXIN:PROBE:RESISTANCE?` might return `:AUXIN:PROBE:RESISTANCE 10.0000E+06`, indicating that the input resistance of the probe attached to the AUXIN input is set to 10 M Ω .

AUXIn:PRObe:SET

This command sets or queries aspects of probe accessory user interfaces, for example probe attenuation factors. The available arguments for this command will vary depending on the accessory you attach to the instrument auxiliary trigger input.

For the P7260 probe, you can select between two attenuation factors using either this GPIB command or the push switch on the probe. The probe enables the relevant path and adjusts the settings based on the characteristics of the path in use. The probe signal path selection is not kept in persistent storage. The probe will lose the selection if you reboot the instrument or remove the probe. Also, the instrument does not store the selection in the save/recall setup operation.

Group Vertical

Syntax `AUXIn:PRObe:SET {<QString>}`
`AUXIn:PRObe:SET?`

Arguments `QString` is a quoted string representing a settable aspect of the attached accessory. Example strings for some probes are shown as follows:

`ATTENUATION 5X` sets the P7260 probe to ± 0.75 V dynamic range with 6 GHz bandwidth and 5X attenuation.

ATTENUATION 25X sets the P7260 probe to ± 3 V dynamic range with 6 GHz bandwidth and 25X attenuation.

VTERMSOURCE AUTO sets the P7380SMA probe voltage termination source to auto.

VTERMSOURCE INTERNAL sets the P7380SMA probe voltage termination source to internal.

VTERMSOURCE EXTERNAL sets the P7380SMA probe voltage termination source to external.

Examples **AUXIN:PROBE:SET "ATTEN 25X"** sets the P7260 probe to the selection for ± 3 V dynamic range with 3 GHz bandwidth and 25X attenuation.

AUXIN:PROBE:SET? might return **:CH2:PROBE:SET "ATTENUATION 5X"** indicating that the P7260 probe is set to the selection for ± 0.75 V dynamic range with 6 GHz bandwidth and 5X attenuation.

AUXIN:PROBE:SET? "ATTEN" might return **:CH2:PROBE:SET "ATTENUATION 25X"**, indicating that the P7260 probe is set to the selection for ± 3 V dynamic range with 3 GHz bandwidth and 25X attenuation.

AUXIn:PRObe:SIGnal

This command sets or queries aspects of probe accessory user interfaces. The available arguments for this command will vary depending on the accessory you attach to the instrument.

Group Vertical

Syntax **AUXIn:PRObe:SIGna1 {PASS|BYPass}**
AUXIn:PRObe:SIGna1?

Arguments **PASS** opens a relay passing your signal to the instrument.
BYPASS closes a relay preventing your signal from reaching the instrument. During probe degauss, the signal should be bypassed.

Examples **AUXIN:PROBE:SIGNAL PASS** opens a relay passing your signal to the instrument.

AUXIN:PROBE:SIGNAL? might return **:AUXIN:PROBE:SIGNAL BYPASS**, indicating that the relay is closed preventing your signal from reaching the instrument.

AUXIn:PRObe:TIPType

This command sets or queries the type of probe tip being used.

Group	Vertical
Syntax	AUXIn:PRObe:TIPType {HBWstraightflex OTHER} AUXIn:PRObe:TIPType?
Arguments	HBWstraightflex lets the instrument know you are using a high bandwidth straight-flex probe tip. OTHER lets the instrument know you are not using a high bandwidth straight-flex probe tip.
Examples	AUXIN:PROBE:TIPTYPE HBWstraightflex sets the auxiliary input probe tip type to HBWstraightflex. AUXIN:PROBE:TIPTYPE? might return :AUXIN:PROBE:TIPTYPE OTHER, indicating the probe tip is not a HBWstraightflex type.

AUXIn:PRObe:UNIts? (Query Only)

This query-only command returns a string describing the units of measure for the probe attached to the AUX In input.

Group	Vertical
Syntax	AUXIn:PRObe:UNIts?
Examples	AUXIN:PROBE:UNITS? might return :AUXIN:PROBE:UNITS "V", indicating that the units of measure for the attached probe are volts.

AUXIn:PROBEFunc:EXTAtten

This command sets the input-output ratio, of external attenuation or gain, between the signal and the AUX In input.

The query form of this command returns the user-specified attenuation. Note that this command deals with an attenuation factor, not a gain factor, unlike [CH<x>:PRObe?](#) (This command returns a value independent of the external attenuation). For example, if you specify a 20X attenuation factor, the commands

return the following values (assuming that a 1x probe is presently attached, since the external attenuation is used in combination with the probe attenuation):

```
AUXIN:PROBE:EXTA? 20.00E+0
```

```
AUXIN:PROBE? 1.0E+0
```

This command is equivalent to selecting Attenuation from the Vertical menu, and then either viewing or setting Ext Atten.

Group Vertical

Syntax AUXIn:PROBEFunc:EXTatten <NR3>
AUXIn:PROBEFunc:EXTatten?

Related Commands [AUXIn:PROBEFunc:EXTDBatten](#)

Arguments <NR3> is the attenuation value, which is specified as a multiplier in the range from 1.00E-10 to 1.00E+10.

Examples AUXIN:PROBEFUNC:EXTATTEN 167.00E-3 sets specifies an external attenuation, which is connected between the user's input signal and the input of the probe attached to the AUX In input.

AUXIN:PROBEFUNC:EXTATTEN? might return :AUXIN:PROBEFUNC:EXTATTEN 1.0000E+00, indicating that the attached probe is connected directly to the user's signal.

AUXIn:PROBEFunc:EXTDBatten

This command sets the input-output ratio (expressed in decibel units) of external attenuation or gain between the signal and the instrument AUX In input.

The query form of this command returns the user-specified attenuation in decibels: 1X = 0 dB, 10X = 20 dB, 100X = 40 dB, etc.

This command is equivalent to selecting Attenuation from the Vertical menu, and then either viewing or setting Ext Att(dB).

Group Vertical

Syntax AUXIn:PROBEFunc:EXTDBatten <NR3>
AUXIn:PROBEFunc:EXTDBatten?

Related Commands [AUXIn:PROBEFunc:EXTDBatten](#)

Arguments <NR3> is the attenuation value, which is specified in the range from -200.00 dB to 200.00 dB.

Examples `AUXIN:PROBEFUNC:EXTDBATTEN 2.5` sets the attenuation value on the AUX IN input to 2.5 dB .

`AUXIN:PROBEFUNC:EXTDBATTEN?` might return
`:AUXIN:PROBEFUNC:EXTDBATTEEN 2.5000E+00`, indicating that the attenuation value on the AUX IN input is set to 2.5 dB.

AUXIn:PROBEFunc:EXTUnits

This command sets the unit of measurement for the external attenuator of the AUX In input. There is also a corresponding query that returns the user-specified unit of measurement for the external attenuator. Unless these units are set to the factory default string value of "None", they become the attenuated units of measurement for the input. It is assumed that the probe connected to the input is of the correct type to receive the output of the user's external transducer or network.

Group Vertical

Syntax `AUXIn:PROBEFunc:EXTUnits`
`AUXIn:PROBEFunc:EXTUnits?`

Related Commands [AUXIn:PRObe:UNIts?](#)

Arguments <str> can contain a string of up to eight characters to indicate the attenuation unit of measurement for the AUX In input. However, most instrument attenuators only display the first two characters.

Examples `AUXIN:PROBEFUNC:EXTUNITS "Pa"` sets the unit of measurement for the AUX IN external attenuator.

`AUXIN:PROBEFUNC:EXTUNITS?` might return `:AUXIN:PROBEFUNC:EXTUNITS "Pa"`, indicating that the AUX IN external attenuator units of measurement are Pascals.

AUXout? (Query Only)

This query-only command returns the auxiliary output setup and is equivalent to selecting External Signals. From the Utilities menu, and then viewing the current settings for the AUX OUT Configuration.

Group Miscellaneous

Syntax AUXout?

Related Commands [AUXout:SOURce](#)

Examples AUXOUT? might return :AUXOUT:SOURCE ATRIGGER;EDGE RISING, indicating that the source at the BNC connector is set to the A trigger and the polarity is set to the rising edge of the trigger output signal.

AUXout:EDGE

This command sets or queries the direction in which the trigger output signal will transition when a trigger occurs.

Group Miscellaneous

Syntax AUXout:EDGE {RISing|FALling}
AUXout:EDGE?

Arguments RISing sets the polarity to the rising edge.
FALling sets the polarity to the falling edge.

Examples AUXOUT:EDGE RISING sets the polarity to rising edge.
AUXOUT:EDGE? might return :AUXOUT:EDGE FALLING, indicating that the polarity is set to falling edge.

AUXout:SOURce

This command sets or queries the trigger source at the BNC connection. This command is equivalent to selecting AUX OUT Configuration from the Utilities menu and then selecting the desired Configuration setting.

Group Miscellaneous

Syntax AUXout:SOURCE {ATRIGGER|BTRIGGER|MAIN|DELAYED|EVENT|REFOUT}
AUXout:SOURCE?

Related Commands [AUXout?](#)

Arguments ATRIGGER sets the source at the BNC connector to the main trigger.
BTRIGGER sets the source at the BNC connector to the delayed trigger.
MAIN sets the source at the BNC connector to the main trigger.
DELAYED sets the source at the BNC connector to the delayed trigger.
EVENT sets the source at the BNC connector to a specified event.
REFOUT sets the source at the BNC connector to the reference output.

Examples AUXOUT:SOURCE? might return :AUXOUT:SOURCE ATRIGGER, indicating that the source at the BNC connector is set to the A trigger.

BELI (No Query Form)

This command was previously used to beep an audio indicator and is provided for backward compatibility.

Group Miscellaneous

Syntax BEL1

Examples BELL is accepted but does nothing.

BUSY? (Query Only)

This query-only command returns the status of the instrument. This command allows you to synchronize the operation of the instrument with your application program.

Group Status and Error

Syntax BUSY?

Related Commands [*OPC](#), [*WAI](#)

Returns <NR1>=0 means that the instrument is not busy processing a command whose execution time is extensive.
 <NR1>=1 means that the instrument is busy processing a command Commands that Generate an OPC Message(See Table 2-18.).

Examples BUSY? might return :BUSY 1, indicating that the instrument is currently busy.

*CAL? (Query Only)

This query-only command starts signal path compensation and returns the status upon completion.

Group Calibration

Syntax *CAL?

Related Commands [CALibrate:RESults:SPC?](#)

Returns 0 indicates SPC passed.
 -1 indicates SPC failed.
 3 indicates the instrument is still in the warm up phase and SPC was not run.

Examples *CAL? starts the internal signal path calibration and returns the status upon completion.

CALibrate? (Query Only)

This query returns the status of instrument calibration, including internal signal path calibration, factory calibration, and probe calibration.

Group Calibration

Syntax CALibrate?

Examples CALIBRATE? might return :CALIBRATE:INTERNAL:STATUS PASS;CALIBRATE:FACTORY:STATUS PASS0;:CALIBRATE:RESULTS:SPC PASS;:CALIBRATE:PROBESTATE:CH1 1;CH2 1;CH3 1;CH4 1, indicating the calibration status.

CALibrate:CALProbe:CH<x>? (Query Only)

This query-only command instructs the instrument to perform a probe calibration for the selected channel and returns the calibration status. The Channel <x> range is 1 through 4. This command is equivalent to selecting Probe Cal from the Vertical menu. You must warm up the instrument for at least 20 minutes before running this command.

NOTE. A probe query takes approximately 30 seconds to complete. No other commands will be executed until calibration is complete.

Group Calibration

Syntax CALibrate:CALProbe:CH<x>?

Related Commands CALibrate:PRObestate:CH<x>?, CH<x>:PROBECal?

Returns H -1
 Indicating the probe calibration failed for the selected channel.
 H 0
 Indicating the probe calibration passed for the selected channel.
 H 1
 Indicating the probe calibration is initialized for the selected channel.

Examples CALibrate:CALProbe:CH2? might return :CALIBRATE:CALPROBE:CH2 0, indicating the probe calibration passed for Channel 2.

CALibrate:INTERNAL (No Query Form)

This command (no query form) starts the internal signal path calibration (SPC) of the instrument. You can use the [CALibrate:INTERNAL:STATUS?](#) query to return the current status of the internal signal path calibration of the instrument.

Group Calibration

Syntax CALibrate:INTERNAL

Related Commands [CALibrate:RESults:SPC?](#)

Examples CALIBRATE:INTERNAL starts the internal signal path calibration of the instrument.

CALibrate:INTERNAL:START (No Query Form)

This command (no query form) starts the internal signal path calibration (SPC) of the instrument. This command is the same as the [CALibrate:INTERNAL](#) command. You can use the [CALibrate:INTERNAL:STATUS?](#) query to return the current status of the internal signal path calibration of the instrument.

Group Calibration

Syntax CALibrate:INTERNAL:START

Related Commands [CALibrate:RESults:SPC?](#)

Examples CALIBRATE:INTERNAL:START starts the internal signal path calibration of the instrument.

CALibrate:INTERNAL:STATUS? (Query Only)

This query-only command returns the current status of the internal signal path calibration.

Group Calibration

Syntax CALibrate:INTERNAL:STATUS?

Related Commands [*CAL?](#)

Returns This query will return one of the following:

- INIT indicates the instrument has not had internal signal path calibration run.
- WARMUP indicates the instrument has not warmed up for the required time to perform signal path calibration.
- PASS indicates that the signal path calibration completed successfully.
- FAIL indicates that the signal path calibration did not complete successfully.
- TEMPDRIFT indicates that the instrument has not reached a state of stable temperature adequate for performing signal path calibration.
- RUNNING indicates that the signal path calibration is currently running.

Examples CALIBRATE:INTERNAL:STATUS? might return
:CALIBRATE:INTERNAL:STATUS INIT, indicating that the
current status of the internal signal path calibration is that it has not been run.

CALibrate:PRObestate:CH<x>? (Query Only)

This query-only command returns the probe calibration status for the probe of the selected channel, 1 through 4.

Group Calibration

Syntax CALibrate:PRObestate:CH<x>?

Related Commands [CH<x>:PROBECal?](#)

Returns This query will return one of the following:

- -1 Indicating the probe calibration failed for the selected channel.
- 0 Indicating the probe calibration passed for the selected channel.
- 1 Indicating the probe calibration is initialized for the selected channel.
- 2 Indicating that the probe calibration for the selected channel is running.

Examples :CALIBRATE:PROBESTATE:CH1? might return
 :CALIBRATE:PROBESTATE:CH1 0, indicating that the probe
 calibration for Channel 1 passed.

CALibrate:RESults? (Query Only)

This query-only command returns the status of internal and factory calibrations, without performing any calibration operations. The results returned do not include the calibration status of attached probes. The CALibrate:RESults? query is intended to support GO/NoGO testing of the instrument calibration readiness: all returned results should indicate PASS status if the instrument is “fit for duty”. It is quite common, however, to use uncalibrated probes (particularly when the instrument inputs are connected into a test system with coaxial cables).

This command is equivalent to selecting Instrument Calibration from the Utilities menu and then viewing the contents of the Status field.

Group Calibration

Syntax CALibrate:RESults?

Related Commands *CAL?

Examples CALIBRATE:RESULTS? returns the status of all the calibration subsystems. The query might return :CALIBRATE:RESULTS:SPC PASS;FACTORY PASS, indicating that the status of internal and factory calibrations, without performing any calibration operations is set to PASS.

CALibrate:RESults:SPC? (Query Only)

This query-only command returns the results of the last SPC operation. However, this query does not cause an SPC to be run. This command is equivalent to selecting Instrument Calibration from the Utilities menu.

Group Calibration

Syntax CALibrate:RESults:SPC?

Related Commands *CAL?

Examples CALIBRATE:RESULTS:SPC? returns the results of the last SPC operation: either PASS, FAIL, WARMUP, TEMPDRIFT, INIT, or RUNNING.

CH<x>? (Query Only)

This query-only command returns the vertical parameters for the specified channel. The channel is specified by x. The value of x can range from 1 through 4. This command is similar to selecting Vertical Setup from the Vertical menu.

Group Vertical

Syntax CH<x>?

Examples CH1? might return the following vertical parameters for channel 1: :CH1:BANDWIDTH 1.0000E+09;COUPLING DC;DESKEW0.0000E+00;OFFSET 0.0000E+00;POSITION 0.0000E+00;SCALE 5.0000E-01;PROBCAL INIT;PROBE:GAIN 1.0000E+00;RESISTANCE 1.0000E+06;UNITS "V";ID:TYPE "1X";SERNUMBER "N/A";:CH1:PROBEFUNC:EXTATTEN 1.0000E+00;EXTUNITS "None";:CH1:LABEL:NAME "";XPOS 5;YPOS 5.

CH<x>:BANdwidth

This command sets or queries the selectable low-pass bandwidth limit filter of the specified channel. The channel is specified by x. The value of x can range from 1 through 4. This is equivalent to selecting Bandwidth from the Vertical menu.

The query form of this command always returns the approximate realized bandwidth of the channel.

Available arguments depend upon the instrument and the attached accessories.

Group Vertical

Syntax CH<x>:BANdwidth {TWEnty|ONEfi fty|TWOfi fty|FIVE|FUL1|<NR3>}
CH<x>:BANdwidth?

Arguments TWEnty sets the upper bandwidth limit to 20 MHz.
TWOfi fty sets the upper bandwidth limit to 250 MHz.
ONEfi fty sets the upper bandwidth limit to 150 MHz.

FIVE sets the upper bandwidth limit to 500 MHz.

FULL disables any optional bandwidth limiting. The specified channel operates at its maximum bandwidth.

<NR3> argument is a double-precision ASCII string. The instrument rounds this value to an available bandwidth using geometric rounding and then uses this value set the upper bandwidth.

Examples CH1:BANDWIDTH TWENTY sets the bandwidth of Channel 1 to 20 MHz.
 CH2:BANDWIDTH?, for DPO7054 instruments, might return :CH2:BANDWIDTH 500.0000E+06, indicating that there is no bandwidth limiting on Channel 2.
 For DPO7104 instruments, this query might return :CH2:BANDWIDTH 1.0000E+09 indicating that there is no bandwidth limiting on Channel 2.

CH<x>:BANDwidth:ENHanced

This command sets or queries the “Bandwidth Enhancement (DSP) Enabled” or “Analog Only” option.

NOTE. When possible, use the *CH<x>:BANDwidth* command to choose the enhanced bandwidth DSP filter.

Group Vertical

Syntax CH<x>:BANDwidth:ENHanced {AUTO|OFF}
 CH<x>:BANDwidth:ENHanced?

Arguments AUTO allows “Bandwidth Enhanced (DSP) Enabled”, filtering as possible.
 OFF allows “Analog Only”, preventing DSP filtering.

Examples CH1:BANDwidth:ENHANCED AUTO allows bandwidth enhancement filtering as possible.
 CH1:BANDwidth:ENHANCED? might return :CH1:BANDwidth:ENHANCED AUTO, indicating that the bandwidth will be enhanced if possible.

CH<x>:BANDwidth:ENHanced:APPLYtoall

This command sets or queries specified channel’s bandwidth and bandwidth enhanced selection, “DSP” or “Analog Only” to set the other channels the same.

Bandwidth achieved on each channel may further be limited while conditions, such as a lower bandwidth probe, that limited the bandwidth exist. A query will almost certainly return 0, as once the request is processed, ApplyToAll will return to its default state of OFF allowing the channels to continue operating independently.

Group Vertical

Syntax CH<x>:BANDwidth:ENHanced:APPLYtoall {ON|OFF|1|0}
CH<x>:BANDwidth:ENHanced:APPLYtoall?

Arguments ON sets other channels to bandwidth and bandwidth enhancement filters or analog only of the specified channel.

OFF is the default setting, each channel operates independently regarding bandwidth and bandwidth enhanced (DSP).

1 sets other channels to bandwidth and bandwidth enhancement filters or analog only of the specified channel.

0 is the default and each channel operates independently regarding bandwidth and bandwidth enhanced (DSP).

Examples CH1:BANDWIDTH:ENHANCED:APPLYTOALL ON sets the CH1 Bandwidth selection and Digital Filters (DSP) Enabled or Analog Only selection to the other 3 channels. The bandwidth set is influenced by the BW limitations of the channel. If CH1 is not physically limited and has requested 15.0 GHz (DSP) bandwidth, while CH2 has a P7313 probe attached which is limited to 12.5 GHz (HW). A request via CH1 ApplyToAll might result in 13 GHz (DSP) on CH2. If no other Bandwidth selections were made on CH2, subsequent removal of the probe on CH2 would result in 15 GHz (DSP) on CH2 .

CH:BANDWIDTH:ENHANCED:APPLYTOALL? might return
:CH:BANDWIDTH:ENHANCED:APPLYTOALL 0, indicating that each channel operates independently regarding bandwidth and bandwidth enhanced (DSP).

CH<x>:BANDwidth:ENHanced:FORCe

This command sets or returns the Force constant sample rate of the Digital Filters (DSP). The bandwidth Enhanced Filter provides you the ability to “Force” constant sample rate, keeping the system in the sample rate base. This is also known as Bandwidth Enhanced AUTO.

NOTE. *The bandwidth set is influenced by the requested bandwidth and its channel limitations.*

NOTE. *If Force is ON, a request to lower the sample rate below the DSP supported rate is rejected.*

Group Vertical

Syntax CH<x>:BANDwidth:ENHanced:FORCE {OFF|ON}
CH<x>:BANDwidth:ENHanced:FORCE?

Arguments OFF is the default setting; DSP filtering occurs when sample rate is supported.

ON forces the conditions appropriate for Digital Filtering (DSP) to occur. With this option system changes are made to achieve sample rate that Bandwidth Enhanced Digital Filters (DSP) operate in, a Horizontal Mode of Constant Sample Rate, appropriate DSP BW, and Bandwidth Enhanced Auto on the specified channel would all be selected. Incompatible features would be turned off for example, FastAcq would be inhibited.

Examples CH1:BANDWIDTH:ENHANCED:FORCE? might return
:CH1:BANDWIDTH:ENHANCED:FORCE ON, request to lower the
sample rate below the DSP supported rate would be rejected.

CH<x>:BANDwidth:ENHanced:STATE? (Query Only)

This query-only command returns the state of the bandwidth enhancement filter (DSP).

Group Vertical

Syntax CH<x>:BANDwidth:ENHanced:STATE?

Examples CH1:BANDWIDTH:ENHANCED:STATE? might return
:CH1:BANDWIDTH:ENHANCED:STATE 1, indicating the
bandwidth enhancement filter is on.

CH<x>:COUPling

This command sets or queries the input attenuator coupling setting for the specified channel. The channel is specified by x. The value of x can range from 1 through 4. This command is equivalent to selecting Coupling from the Vertical menu.

NOTE. *The available arguments depend on the instrument and the attached accessories.*

Group	Vertical
Syntax	CH<x>:COUPling {AC DC GND DCREJect} CH<x>:COUPling?
Arguments	<p>AC sets the specified channel to AC coupling.</p> <p>DC sets the specified channel to DC coupling.</p> <p>GND sets the specified channel to ground. Only a flat, ground-level waveform will be displayed.</p> <p>DCREJect sets DC Reject coupling when probes are attached that have that feature.</p>
Examples	<p>CH2:COUPLING GND sets Channel 2 to ground.</p> <p>CH3:COUPLING? might return :CH3:COUPLING DC, indicating that Channel 3 is set to DC coupling.</p>

CH<x>:DESKew

This command sets or queries the deskew time for the specified channel. The channel is specified by x. The value of x can range from 1 through 4. This command is equivalent to selecting Deskew from the Vertical Setup menu.

You can adjust the deskew time to add an independent, channel-based delay time to the delay (set by the horizontal position control and common to all channels) from the common trigger point to first sample taken for each channel. This lets you compensate individual channels for different delays introduced by their individual input hook ups.

Group Vertical

Syntax CH<x>:DESKew <NR3>
CH<x>:DESKew?

Arguments <NR3> is the deskew time for this channel, ranging from -25 ns to +25 ns with a resolution of 1 ps. Out-of-range values are clipped.

Examples CH4:DESKEW 5.0E-9 sets the deskew time for Channel 4 to 5 ns.
CH2:DESKEW? might return :CH2:DESKEW 2.0000E-09, indicating that the deskew time for Channel 2 is set to 2 ns.

CH<x>:LABel:NAME

This command sets or queries the label attached to the displayed waveform for the specified channel. The channel is specified by x. The value of x can range from 1 through 4. This command is equivalent to selecting Label from the Vertical menu.

Group Vertical

Syntax CH<x>:LABel:NAME <str>
CH<x>:LABel:NAME?

Arguments <str> is an alphanumeric character string, ranging from 1 through 32 characters in length.

Examples CH2:LABEL:NAME "Pressure" changes the waveform label for the Channel 2 waveform to "Pressure".
CH3:LABEL:NAME? might return :CH3:LABEL:NAME "Force", indicating that the waveform label for the Channel 3 waveform is "Force".

CH<x>:LABel:XPOS

This command sets or queries the X screen offset at which the label (attached to the displayed waveform of the specified channel) is displayed, relative to the left edge of the screen. The channel is specified by x. The value of x can range from 1 through 4. This command is equivalent to selecting Label from the Vertical menu and either viewing or setting X Pos.

Group Vertical

Syntax	CH<x>:LABe1:XPOS <NR1> CH<x>:LABe1:XPOS?
Arguments	<NR1> is the location (control in divisions) where the waveform label for the selected channel is displayed, relative to the left edge of the screen. Arguments should be integers ranging from 0 through 10.
Examples	CH3:LABEL:XPOS 5 moves the waveform label for the Channel 3 that it begins 5 divisions to the right of the left edge of the screen. CH2:LABEL:XPOS? might return :CH2:LABEL:XPOS 5, indicating that the waveform label for the Channel 2 currently 5 divisions to the right of the left edge of the screen.

CH<x>:LABe1:YPOS

This command sets or queries the Y screen offset at which the label (attached to the displayed waveform of the specified channel) is displayed, relative to the waveform handle. The channel is specified by x. The value of x can range from 1 through 4. This command is equivalent to selecting Label from the Vertical menu and either viewing or setting Y Pos.

Group	Vertical
Syntax	CH<x>:LABe1:YPOS <NR1> CH<x>:LABe1:YPOS?
Arguments	<NR1> is the location (in divisions) where the waveform label for the selected channel is displayed, relative to the waveform handle. Arguments should be integers ranging from 10 to -10.
Examples	CH3:LABe1:YPOS -2.5 moves the waveform label for the Channel 3 2.5 divisions below the waveform handle. CH2:LABe1:YPOS? might return :CH2:LABEL:YPOS 0, indicating that the waveform label for the Channel 2 is currently located at the waveform handle.

CH<x>:OFFSet

This command sets or queries the vertical offset for the specified channel. The channel is specified by x. The value of x can range from 1 through 4. This command is equivalent to selecting Offset from the Vertical menu.

This command offsets the vertical acquisition window (moves the level at the vertical center of the acquisition window) for the selected channel. Visualize offset as scrolling the acquisition window towards the top of a large signal for increased offset values, and scrolling towards the bottom for decreased offset values. The resolution of the vertical window sets the offset increment for this control.

Offset adjusts only the vertical center of the acquisition window for channel waveforms to help determine what data is acquired. The instrument always displays the input signal minus the offset value. The channel reference marker will move to the vertical graticule position given by the negative of the offset value divided by the scale factor, unless that position is off-screen. If the computed coordinate for the reference mark is off-screen, the mark moves to the nearest screen limit and changes from a right-pointing arrow (→) to an arrow pointing in the appropriate off-screen direction.

Group Vertical

Syntax CH<x>:OFFSet <NR3>
CH<x>:OFFSet?

Related Commands [CH<x>:POSition](#)

Arguments <NR3> is the offset value for the specified channel.

Examples CH3:OFFSet 2.0E-3 sets the offset for Channel 3 to 2 mV.

CH4:OFFSet? might return :CH4:OFFSET 1.0000E-03, indicating that the offset for Channel 4 is set to 1 mV.

CH<x>:POSition

This command sets or queries the vertical position of the specified channel. The channel is specified by x. The value of x can range from 1 through 4. The position value is applied to the signal before it is digitized. This command is equivalent to selecting Position/Scale from the Vertical menu and either viewing or setting Position.

Increasing the position value of a waveform causes the waveform to move up, and decreasing the position value causes the waveform to move down. Position adjusts only the display position of a waveform, whether it is a channel, math, or reference waveform. The position value determines the vertical graticule coordinate at which input signal values, minus the present offset setting for that channel, are displayed. For example, if the position for Channel 3 is set to 2.0

and the offset is set to 3.0, then input signals equal to 3.0 units are displayed 2.0 divisions above the center of the screen.

Group Vertical

Syntax CH<x>:POSition <NR3>
CH<x>:POSition?

Related Commands [CH<x>:OFFSet](#), [REF<x>:VERTical:POSition](#), [MATH<x>:VERTical:POSition](#)

Arguments <NR3> is the position value, in divisions from the center graticule, ranging from 8 to -8 divisions.

Examples CH2:POSition 1.3E+00 positions the Channel 2 input signal 1.3 divisions above the center graticule.
CH1:POSition? might return :CH1:POSITION -1.3000E+00, indicating that the current position of Channel 1 is 1.3 divisions below the center graticule.

CH<x>:PRObe? (Query Only)

This query-only command returns all information concerning the probe that is attached to the specified channel. The channel is specified by x. The value of x can range from 1 through 4.

Group Vertical

Syntax CH<x>:PRObe?

Related Commands [CH<x>:PROBECal?](#)

Examples CH2:PROBE? might return :CH2:PROBE:GAIN 1.0000E-01; RESISTANCE 1.0000E+07; UNITS "V"; ID:TYPE "10X" ; SERNUMBER "N/A" for a 10X probe, indicating that (among other parameters) the attenuation factor for the probe attached to Channel 2 is 100.0 mV (assuming that probe units are set to volts).

CH<x>:PRObe:AUTOZero (No Query Form)

This command sets the probe attached to the input to autozero. The channel is specified by x. The value of x can range from 1 through 4.

Group Vertical

Syntax CH<x>:PRObe:AUTOZero EXECute

Arguments EXECUTE sets the probe attached to the specified channel to autozero.

Examples CH1:PROBE:AUTOZERO EXECUTE sets the probe attached to the Channel 1 to autozero.

CH<x>:PRObe:DEGAUSS (No Query Form)

This command starts a degauss cycle of the probe attached to the specified channel. The channel is specified by x. The value of x can range from 1 through 4.

Group Vertical

Syntax CH<x>:PRObe:DEGAUSS EXECute

Arguments EXECUTE starts the degauss cycle.

Examples CH1:PROBE:DEGAUSS EXECUTE causes the probe attached to Channel 1 to degauss.

CH<x>:PRObe:DEGAUSS:STATE? (Query Only)

This command queries whether the probe attached to the specified channel has been degaussed.

Group Vertical

Syntax CH<x>:PRObe:DEGAUSS:STATE?

Examples CH2:PROBE:DEGAUSS:STATE? might return :CH2:PROBE:DEGAUSS:STATE PASSED, indicating that the probe attached to the Channel 2 has been degaussed.

CH<x>:PRObe:FORCEDRange

This command sets the attached probe to the specified range, or it queries the range of the probe attached to the specified channel. The channel is specified by x. The value of x can range from 1 through 4.

Group Vertical

Syntax CH<x>:PRObe:FORCEDRange <NR3>
CH<x>:PRObe:FORCEDRange?

Arguments <NR3> specifies the probe range.

Examples If a TCP0030 current probe is attached to the Channel 1 input, CH1:PROBE:FORCEDRANGE 5.0 sets the attached probe to its 5 Ampere range.
CH1:PROBE:FORCEDRANGE? might return :CH1:PROBE:FORCEDRANGE 2.5000, indicating that the range of the probe attached to the Channel 1 is set to 2.5 Ampere.

CH<x>:PRObe:GAIN? (Query Only)

This query-only command returns the gain factor of the probe that is attached to the specified channel. The channel is specified by x. The value of x can range from 1 through 4. The “gain” of a probe is the output divided by the input transfer ratio. For example, a common 10x probe has a gain of 0.1.

Group Vertical

Syntax CH<x>:PRObe:GAIN?

Related Commands [CH<x>:SCAlE](#)

Examples CH2:PROBE:GAIN? might return :CH2:PROBE:GAIN 0.1000E+00, indicating that the attached 10X probe delivers 0.1 V to the Channel 2 BNC for every 1.0 V applied to the probe input.

CH<x>:PRObe:ID? (Query Only)

This query-only command returns the type and serial of the probe that is attached to the specified channel. The channel is specified by x. The value of x can range from 1 through 4.

Group	Vertical
Syntax	CH<x>:PRObe:ID?
Examples	CH2:PROBE:ID? might return :CH2:PROBE:ID:TYPE "10X";SERNUMBER "N/A", indicating that a passive 10X probe of unknown serial number is attached to Channel 2.

CH<x>:PRObe:ID:SERnumber? (Query Only)

This query-only command returns the serial number of the probe that is attached to the specified channel. The channel is specified by x. The value of x can range from 1 through 4.

NOTE. For Level 0 and 1 probes, the serial number will be "N/A".

Group	Vertical
Syntax	CH<x>:PRObe:ID:SERnumber?
Examples	CH1:PROBE:ID:SERNUMBER? might return :CH1:PROBE:ID:SERNUMBER "B010289", indicating that the serial number of the probe attached to Channel 1 is B010289.

CH<x>:PRObe:ID:TYPE? (Query Only)

This query-only command returns the type of probe that is attached to the specified channel. The channel is specified by x. The value of x can range from 1 through 4. Level 2 (or higher) probes supply their exact product nomenclature; for Level 0 or 1 probes, a generic 'type string' of "nnX" is returned.

Group	Vertical
--------------	----------

Syntax CH<x>:PRObe:ID:TYPE?

Examples CH1:PROBE:ID:TYPE? might return :CH1:PROBE:ID:TYPE "P6203", indicating that P6203-type probe is attached to Channel 1.

CH<x>:PRObe:INPUTMode

This command sets or queries the input mode of the probe that is attached to the specified channel.

Group Vertical

Syntax CH<x>:PRObe:INPUTMode
{makeEnumList(signalPathMgr_probeTipMode)}
CH<x>:PRObe:INPUTMode?

Arguments DEFault sets to the default.
DIFFerential sets the probe to route differential signals to the host.
COMMONmode sets the probe to route common-mode signals to the host.
A sets the probe to route single-ended A signals to the host.
B sets the probe to route single-ended B signals to the host.

Examples CH1:PROBE:INPUTMODE 5.0 sets the attached probe to Channel 1 to its 5 Ampere range.
CH1:PROBE:INPUTMODE? might return :CH1:PROBE:INPUTMODE A, indicating that the input mode of the probe that is attached to the Channel 1 is set to DEFAULT

CH<x>:PRObe:INPUTMode:AOffset

This command sets or queries the requested A mode offset control of the probe that is attached to the specified channel.

Group Vertical

Syntax CH<x>:PRObe:INPUTMode:AOffset
CH<x>:PRObe:INPUTMode:AOffset?

Arguments NR3 specifies the A mode offset control.

Examples CH1:PROBE:INPUTMODE:AOFFSET 5.0 sets the requested A mode offset control of the probe that is attached to the Channel 1 to its 5 Ampere range.

CH1:PROBE:INPUTMODE:AOFFSET? might return
:CH1:PROBE:INPUTMODE:AOFFSET? 0.0000, indicating that the requested A mode offset control of the probe that is attached to the Channel 1 is set to 0.0.

CH<x>:PRObe:INPUTMode:BOFFSet

This command sets or queries the requested B mode offset control of the probe that is attached to the specified channel.

Group Vertical

Syntax CH<x>:PRObe:INPUTMode:BOFFSet
CH<x>:PRObe:INPUTMode:BOFFSet
CH<x>:PRObe:INPUTMode:BOFFSet?

Arguments NR3 specifies the B mode offset control.

Examples CH1:PROBE:INPUTMODE:BOFFSET 5.0 sets the requested B mode offset control of the probe that is attached to the Channel 1 to its 5 Ampere range.

CH1:PROBE:INPUTMODE:BOFFSET? might return
:CH1:PROBE:INPUTMODE:BOFFSET 0.0000, indicating that the requested A mode offset control of the probe that is attached to the Channel 1 is set to 0.0.

CH<x>:PRObe:INPUTMode:CMOFFSet

This command sets or queries the requested common mode offset control of the probe that is attached to the specified channel.

Group Vertical

Syntax CH<x>:PRObe:INPUTMode:CMOFFSet
CH<x>:PRObe:INPUTMode:CMOFFSet?

Arguments NR3 specifies the common mode offset control.

Examples CH1:PROBE:INPUTMODE:CMOFFSET 5.0 sets the requested common mode offset control of the probe that is attached to the Channel 1 to its 5 Ampere range.

CH1:PROBE:INPUTMODE:CMOFFSET? might return
:CH1:PROBE:INPUTMODE:CMOFFSET 0.0000, indicating that the requested common mode offset control of the probe that is attached to the Channel 1 is set to 0.0.

CH<x>:PRObe:INPUTMode:DMOFFSet

This command sets or queries the requested common mode differential mode offset control of the probe that is attached to the specified channel.

Group Vertical

Syntax CH<x>:PRObe:INPUTMode:DMOFFSet
CH<x>:PRObe:INPUTMode:DMOFFSet?

Arguments NR3 specifies the differential mode offset control.

Examples CH1:PROBE:INPUTMODE:DMOFFSET 5.0 sets the requested differential mode offset control of the probe that is attached to the Channel 1 to its 5 Ampere range.

CH1:PROBE:INPUTMODE:DMOFFSET? might return
:CH1:PROBE:INPUTMODE:DMOFFSET 0.0000, indicating that the requested differential mode offset control of the probe that is attached to the Channel 1 is set to 0.0.

CH<x>:PRObe:RANge

This command controls or queries the attenuation range of the probe on the designated channel.

Group Vertical

Syntax CH<x>:PRObe:RANge
{ATTEN1X|ATTEN1_25X|ATTEN1_5X|ATTEN1_75X|ATTEN2X|
ATTEN2_5X|ATTEN3X|ATTEN3_5X|ATTEN4X|ATTEN4_5X|
ATTEN5X|ATTEN5_5X|ATTEN6X|ATTEN6_5X|ATTEN7X|

```
ATTEN7_5X|ATTEN8X|ATTEN8_5X|ATTEN9X|ATTEN9_5X|
ATTEN10X|ATTEN12_5X|ATTEN15X|ATTEN17_5X|ATTEN20X|
ATTEN25X|ATTEN30X|ATTEN35X|ATTEN40X|ATTEN45X|
ATTEN50X|ATTEN55X|ATTEN60X|ATTEN65X|ATTEN70X|
ATTEN75X|ATTEN80X|ATTEN85X|ATTEN90X|ATTEN95X|
ATTEN100X|ATTEN125X|ATTEN150X|ATTEN175X|ATTEN200X|
ATTEN250X|ATTEN300X|ATTEN350X|ATTEN400X|ATTEN450X|
ATTEN500X|ATTEN550X|ATTEN600X|ATTEN650X|ATTEN700X|
ATTEN750X|ATTEN800X|ATTEN850X|ATTEN900X|ATTEN950X|
ATTEN1000X}
CH<x>:PRObe:RANGe?
```

Examples CH1:PROBE:RANGE ATTEN10X sets the attenuation range of the probe attached to Channel 1 to 10X.

CH1:PROBE:RANGE? might return :CH1:PROBE:RANGE ATTEN1_25X, indicating that the attenuation range of the probe on the designated Channel 1 is set to 25X.

CH<x>:PRObe:RESistance? (Query Only)

This query-only command returns the resistance factor of the probe that is attached to the specified channel. The channel is specified by x. The value of x can range from 1 through 4.

Group Vertical

Syntax CH<x>:PRObe:RESistance?

Examples CH2:PROBE:RESISTANCE? might return :CH2:PROBE:RESISTANCE 1.0000E+06, indicating that the input resistance of the probe attached to Channel 2 is 1 MΩ.

CH<x>:PRObe:SET

This command sets or queries aspects of probe accessory user interfaces, for example probe attenuation factors. The available arguments for this command will vary depending on the accessory you attach to the instrument.

For the P7260 probe, you can select between two attenuation factors using either this GPIB command or the push switch on the probe. The probe enables the relevant path and adjusts the set of available vertical settings based on the characteristics of the path in use. The probe signal path selection is not kept in persistent storage. The probe will lose the selection if you reboot the instrument.

or remove the probe. Also, the instrument does not store the selection in the save/recall setup operation.

Group Vertical

Syntax CH<x>:PRObe:SET {<QString>}
CH<x>:PRObe:SET?

Arguments QString is a quoted string representing a settable aspect of the attached accessory. Example strings for some probes are shown as follows:

ATTENUATION 5X sets the P7260 probe to ± 0.75 V dynamic range with 6 GHz bandwidth and 5X attenuation.

ATTENUATION 25X sets the P7260 probe to ± 3 V dynamic range with 6 GHz bandwidth and 25X attenuation.

VTERMSOURCE AUTO sets the P7380SMA probe voltage termination source to auto.

VTERMSOURCE INTERNAL sets the P7380SMA probe voltage termination source to internal.

VTERMSOURCE EXTERNAL sets the P7380SMA probe voltage termination source to external.

Examples "ATTEN 25X" sets the P7260 probe to the selection for ± 3 V dynamic range with 3 GHz bandwidth and 25X attenuation.

CH1:PRObe:SET? might return :CH2:PROBE:SET "ATTENUATION 5X" indicating that the P7260 probe is set to the selection for ± 0.75 V dynamic range with 6 GHz bandwidth and 5X attenuation.

CH2:PRObe:SET? "ATTEN" might return :CH2:PROBE:SET "ATTENUATION 25X", indicating that the P7260 probe is set to the selection for ± 3 V dynamic range with 3 GHz bandwidth and 25X attenuation.

CH<x>:PRObe:SIGnal

This command sets or queries aspects of probe accessory user interfaces. The available arguments for this command will vary depending on the accessory you attach to the instrument.

Group Vertical

Syntax CH<x>:PRObe:SIGna1 {PASS|BYPass}
CH<x>:PRObe:SIGna1?

Arguments PASS opens a relay passing your signal to the instrument.
BYPass closes a relay preventing your signal from reaching the instrument.
During probe degauss, the signal should be bypassed.

Examples CH2:PROBE:SIGNAL PASS opens a relay passing your signal on Channel 2 to the instrument.
CH1:PROBE:SIGNAL? might return :CH1:PROBE:SIGNAL BYPASS, indicating that the relay is closed preventing your Channel 1 signal from reaching the instrument.

CH<x>:PRObe:TIPType

This command sets or queries the type of probe tip being used on the specified channel.

Group Vertical

Syntax CH<x>:PRObe:TIPType {HBWStaightflex|OTHer}
CH<x>:PRObe:TIPType?

Arguments HBWStaightflex lets the instrument know you are using a high bandwidth straight-flex probe tip.
OTHer lets the instrument know you are not using a high bandwidth straight-flex probe tip.

Examples CH1:PROBE:TIPTYPEHBWSTRAIGHTFLEX sets the channel 1 probe tip type to HBWStaightflex.
CH1:PROBE:TIPTYPE? might return :CH1:PROBE:TIPTYPE OTHER, indicating the probe tip is not an HBWStaightflex type.

CH<x>:PRObe:UNIts? (Query Only)

This query-only command returns a string describing the units of measure for the probe attached to the specified channel. The channel is specified by x. The value of x can range from 1 through 4.

Group	Vertical
Syntax	CH<x>:PRObe:UNITs?
Related Commands	CH<x>:PROBEFunc:EXTUnits
Examples	CH4:PROBE:UNITS? might return :CH4:PROBE:UNITS "V", indicating that the units of measure for the probe attached to Channel 4 are volts.

CH<x>:PROBECal? (Query Only)

This query-only command returns the probe calibration state for the selected channel. The channel is specified by x. The value of x can range from 1 through 4. This command is equivalent to selecting Probe Cal from the Vertical menu.

Group	Vertical
Syntax	CH<x>:PROBECal?
Returns	This query will return one of the following: <ul style="list-style-type: none"> ■ FAIL signifies that the probe calibration has failed for the selected channel. ■ INIT signifies that the probe calibration has not yet been run for the selected channel. ■ PASS signifies the probe calibration has passed for the selected channel.
Examples	CH2:PROBECal? might return :CH2:PROBECAL PASS indicating that the probe calibration has passed for Channel 2.

CH<x>:PROBEFunc:EXTAtten

This command is used to specify the input-output ratio, of external attenuation or gain, between the signal and the instrument input channels.

The channel is specified by x. The value of x can range from 1 through 4.

The query form of this command returns the user-specified attenuation. Note that this command deals with an attenuation factor, not a gain factor, unlike [CH<x>:PROBe?](#) (This command returns a value independent of the external attenuation). For example, if you specify a 20x attenuation factor for channel 1,

the commands return the following values (assuming that a 1x probe is presently attached, since the external attenuation is used in combination with the probe attenuation):

```
CH1:PROBe:EXTA? 20.00E+0
```

```
CH1:PROBe? 1.0E+0
```

This command is equivalent to selecting Attenuation from the Vertical menu, and then either viewing or setting Ext Atten.

Group Vertical

Syntax CH<x>:PROBEFunc:EXTAtten <NR3>
CH<x>:PROBEFunc:EXTAtten?

Related Commands [CH<x>:PROBEFunc:EXTDBatten](#)

Arguments <NR3> is the attenuation value, which is specified as a multiplier in the range from 1.00E-10 to 1.00E+10.

Examples CH1:PROBEFunc:EXTATTEN 167.00E-3 specifies an external attenuation, which is connected between the user's input signal and the input of the probe attached to Channel 1.

CH2:PROBEFunc:EXTATTEN? might return :CH2:PROBEFunc:EXTATTEN 1.0000E+00, indicating that the probe attached to Channel 2 is connected directly to the user's signal.

CH<x>:PROBEFunc:EXTDBatten

Use this command to specify the input-output ratio (expressed in decibel units) of external attenuation or gain between the signal and the instrument input channels.

The channel is specified by x. The value of x can range from 1 through 4.

The query form of this command returns the user-specified attenuation in decibels: 1X = 0 dB, 10X = 20 dB, 100X = 40 dB, etc.

This command is equivalent to selecting Attenuation from the Vertical menu, and then either viewing or setting Ext Att (dB).

Group Vertical

Syntax CH<x>:PROBEFunc:EXTDBatten <NR3>
CH<x>:PROBEFunc:EXTDBatten?

Related Commands [CH<x>:PROBEFunc:EXTAtten](#)

Arguments <NR3> is the attenuation value, which is specified in the range from -200.00dB to 200.00 dB.

Examples CH3:PROBEFunc:EXTDBATTEN 2.5 specifies an external 2.5 dB attenuator on Channel 3.

CH1:PROBEFunc:EXTDBATTEN? might return
:CH1:PROBEFunc:EXTDBATTEEN 2.5000E+00, indicating that the attenuation for Channel 1 is 2.5 dB.

CH<x>:PROBEFunc:EXTUnits

This command sets the unit of measurement for the external attenuator of the specified channel. The channel is specified by x. The value of x can range from 1 through 4. There is also a corresponding query that returns the user-specified unit of measurement for the external attenuator. Unless these units are set to the factory default string value of "None", they become the attenuated units of measurement for that channel. It is assumed that the probe connected to the specified channel is of the correct type to receive the output of the user's external transducer or network.

Group Vertical

Syntax CH<x>:PROBEFunc:EXTUnits <str>
CH<x>:PROBEFunc:EXTUnits?

Related Commands [CH<x>:PRObe:UNIts?](#)

Arguments <str> can contain a string of up to eight characters to indicate the attenuation unit of measurement for the specified channel. However, most instrument attenuators only display the first two characters.

Examples CH4:PROBEFunc:EXTUNITS "Pa" sets the unit of measurement for the Channel 4 external attenuator.

CH2:PROBEFUNC:EXTUNITS? might return :CH2:PROBEFUNC:EXTUNITS "Pa", indicating that the Channel 2 external attenuator units of measurement are Pascals.

CH<x>:SCALE

This command sets or queries the vertical scale of the specified channel. The channel is specified by x. The value of x can range from 1 through 4. Sending this command is equivalent to selecting Vertical Setup from the Vertical menu and then viewing or setting the Scale.

Each waveform has a vertical scale parameter. For a signal with constant amplitude, increasing the Scale causes the waveform to be displayed smaller. Decreasing the scale causes the waveform to be displayed larger.

Scale affects all waveforms, but affects channel waveforms differently from other waveforms:

- For channel waveforms, this setting controls the vertical size of the acquisition window as well as the display scale. The range and resolution of scale values depends on the probe attached and any other external factors you have specified.
- For reference and math waveforms, this setting controls the display only, graphically scaling these waveforms and having no affect on the acquisition hardware.

Group Vertical

Syntax CH<x>:SCALE <NR3>
CH<x>:SCALE?

Related Commands [CH<x>:OFFSet](#), [CH<x>:POSition](#), [REF<x>:VERTical:SCALE](#), [MATH<x>:VERTical:SCALE](#)

Arguments <NR3> is the vertical channel scale in units per division.

Examples CH4:SCALE 100E-03 sets the Channel 4 scale to 100 mV per division.

CH2:SCALE? might return :CH2:SCALE 1.0000E+00, indicating that the current scale setting of Channel 2 is 1 V per division.

CH<x>:TERmination

This command sets the connected/disconnected status of a 50 Ω resistor, which may be connected between the specified channel's coupled input and instrument ground. The channel is specified by x. The value of x can range from 1 through 4. There is also a corresponding query that requests the termination parameter and translates this enumeration into one of the two float values. This command is equivalent to selecting Termination from the Vertical menu or toggling between termination values from the VERTICAL area of the front panel.

NOTE. *The available arguments depend on the instrument and the attached accessories.*

Group	Vertical
Syntax	CH<x>:TERmination <NR3> CH<x>:TERmination?
Arguments	<NR3> specifies the channel input resistance, which can be specified as 50 Ω or 1,000,000 Ω .
Examples	CH4:TERMINATION 50.0E+0 establishes 50 Ω impedance on Channel 1. CH2:TERMINATION? might return :CH2:TERMINATION 50.0E+0, indicating that Channel 2 is set to 50 Ω impedance.

*CLS (No Query Form)

This command (no query form) clears the following:

- Event Queue
- Standard Event Status Register
- Status Byte Register (except the MAV bit)

If the *CLS command immediately follows an <EOI>, the Output Queue and MAV bit (Status Byte Register bit 4) are also cleared. MAV indicates that information is in the output queue. The device clear (DCL) GPIB control message will clear the output queue and thus MAV. *CLS does not clear the output queue or MAV.

*CLS can suppress a Service Request that is to be generated by an *OPC. This will happen if a single sequence acquisition operation is still being processed when the *CLS command is executed.

Group Status and Error

Syntax *CLS

Related Commands DESE, *ESE, *ESR?, EVENT?, EVMsg?, *SRE, *STB?

Examples *CLS clears the instrument status data structures.

CMDBatch

This command sets or queries the state of command batching. By batching commands, database transactions can be optimized, increasing command throughput. Also, batching allows for ALL commands in an individual batch to be order independent and accomplish the same result as if the commands were coupled.

The Batch state is persistent and will be saved across power cycles, but will not be saved and recalled as part of a setup. In a setup scenario, the factory initial value is enabled.

Group Miscellaneous

Syntax CMDBatch {OFF|ON|<NR1>}
CMDBatch?

Arguments OFF turns command batching off.
ON turns command batching on.
<NR1> = 0 turns command batching off; any other value turns command batching on.

Examples CMDBATCh OFF disables command batching.
CMDBATCh? might return :CMDBATCh 1, indicating that command batching is turned on.

CURSor?

This query-only command returns all of the current cursor settings.

Group	Cursor
Syntax	CURSor?
Examples	<p>CURSOR? might return the following as the current cursor settings:</p> <pre>:CURSOR:STATE 1;FUNCTION VBARS;LINESTYLE SOLID;MODE INDEPENDENT;SOURCE1 CH1; SOURCE2 CH1;SCREEN:STYLE LINES; :CURSOR:VBARS:UNITS SECONDS;POSITION1 -1.6000E-6;POSITION2 1.6000E-6; :CURSOR:HBARS:POSITION1 300.0000E-3; POSITION2 -300.0000E-3;UNITS BASE; :CURSOR:WAVEFORM:POSITION1 -1.6000E-6;POSITION2 1.6000E-6; SOURCE2 CH1;UNITS BASE;STYLE LINE_X;:CURSOR:XY :PRODELTA 99.1000E+36;PRODUCT1 99.1000E+36;PRODUCT2 99.1000E+36; READOUT RECTANGULAR;RADIUS1 99.1000E+36;RADIUS2 99.1000E+36; RATDELTA 99.1000E+36;RATIO1 99.1000E+36;RATIO2 99.1000E+36; RDELTA 99.1000E+36;RECTX1 0.0000;RECTX2 0.0000;RECTY1 0.0000; RECTY2 0.0000;THDELTA 99.1000E+36;THETA1 99.1000E+36; THETA2 99.1000E+36;XDELTA 0.0000;YDELTA 0.0000.</pre>

CURSor:FUNction

This command sets or queries the cursor type. Sending this command is equivalent to selecting Cursor Type from the Cursors menu, and then choosing from the drop-down list.

Group	Cursor
Syntax	<pre>CURSor:FUNction {OFF HBArS VBArS SCREEN WAVEform} CURSor:FUNction?</pre>
Related Commands	CURSor:STATE
Arguments	<p>OFF removes the cursors from the display but does not change the cursor type.</p> <p>HBArS specifies horizontal bar cursors, which measure in vertical units.</p> <p>VBArS specifies vertical bar cursors, which measure in horizontal units.</p> <p>SCREEN specifies both horizontal and vertical bar cursors, which measure in horizontal and vertical units specified by the Cursor 1 and Cursor 2 Sources. Use these cursors to measure anywhere in the waveform display area.</p> <p>WAVEform specifies paired or split cursors in YT display format for measuring waveform amplitude and time. In XY and XYZ format, these cursors indicate the</p>

amplitude positions of an XY pair (Ch1 vs Ch2 voltage, where Ch1 is the X axis and Ch2 is the Y axis) relative to the trigger.

Examples `CURSOR:FUNCTION VBARS` selects the vertical bar cursors type.
`CURSOR:FUNCTION?` might return `:CURSOR:FUNCTION HBARS`, indicating that the horizontal bar cursors are currently selected.

CURSOR:HBARS? (Query Only)

This query-only command returns the current settings for the horizontal bar cursors.

Group Cursor

Syntax `CURSOR:HBARS?`

Examples `CURSOR:HBARS?` might return the horizontal bar setting as `:CURSOR:HBARS:POSITION1 320.0000E-03;POSITION2-320.0000E-03;UNITS BASE`.

CURSOR:HBARS:DELTA? (Query Only)

This query-only command returns the vertical difference between the two horizontal bar cursors.

Group Cursor

Syntax `CURSOR:HBARS:DELTA?`

Related Commands [CURSOR:HBARS:UNITS?](#)

Returns A floating point value with an exponent.

Examples `CURSOR:HBARS:DELTA?` might return `:CURSOR:HBARS:DELTA 5.0800E+00`, indicating that the voltage difference between the two cursors is 5.08 V.

CURSor:HBARS:POSITION<x>

This command sets or queries the horizontal bar cursor position relative to ground, which is expressed in vertical units (usually volts). The cursor is specified by x, which can be 1 or 2. This command is the equivalent to selecting Cursor Position from the Cursors menu, selecting the H Bars Cursor Type, and then viewing or editing the desired cursor position.

Group Cursor

Syntax CURSor:HBARS:POSITION<x> <NR3>
CURSor:HBARS:POSITION<x>?

Related Commands [CURSor:FUNction](#)

Arguments <NR3> specifies the cursor position relative to ground.

Examples CURSOR:HBARS:POSITION1 25.0E-3 positions Cursor 1 of the horizontal cursors at 25 mV.

CURSOR:HBARS:POSITION2? might return :CURSOR:HBARS:POSITION2 -64.0000E-03, indicating that Cursor 2 of the horizontal bar cursors is at -64 mV.

CURSor:HBARS:UNIts? (Query Only)

This query-only command returns the units for the horizontal bar cursors.

This query always returns BASE, indicating that the units for the horizontal bar cursors are those of the base waveform to which they were assigned.

Group Cursor

Syntax CURSor:HBARS:UNIts?

Examples CURSOR:HBARS:UNITS? always returns :CURSOR:HBARS:UNITS BASE indicating that the units for the horizontal bar cursors are base.

CURSor:LINEStyle

This command sets or queries the cursors line style used when cursors are displayed.

Group Cursor

Syntax CURSor:LINEStyle {SOLID|DASHed|SDASHed}
CURSor:LINEStyle?

Arguments SOLID displays the cursors as solid lines.
DASHed displays the cursors as dashed lines.
SDASHed displays the cursors as solid-dashed lines.

Examples CURSOR:LINESTYLE SOLID displays the cursors as solid lines.
CURSOR:LINESTYLE? might return :CURSOR:LINESTYLE DASHED, indicating that the cursors are displayed as dashed lines.

CURSor:MODE

This command sets or queries whether the two cursors move together in unison or separately. This command is the equivalent of selecting Cursor Mode from the Cursors menu, and then choosing from the drop-down list.

Group Cursor

Syntax CURSor:MODE {TRACk|INDePendent}
CURSor:MODE?

Arguments TRACk ties the navigational functionality of the two cursors together. For cursor 1 adjustments, this ties the movement of the two cursors together; however, cursor 2 continues to move independently of cursor 1.
INDePendent allows independent adjustment of the two cursors.

Examples CURSOR:MODE TRACk specifies that the cursor positions move in unison.
CURSOR:MODE? might return :CURSOR:MODE TRACk, indicating that the two cursors move in unison.

CURSor:SCREEN:STYle

This command sets or queries the cursor type for Screen mode.

Group Cursor

Syntax CURSor:SCREEN:STYle {LINE_X|LINES|X}
CURSor:SCREEN:STYle?

Arguments LINE_X specifies the cursor style to be a line with superimposed X.
LINES specifies the cursor style to be a line.
X specifies the cursor style to be an X.

Examples CURSOR:SCREEN:STYLE LINES sets the cursor style to lines.
CURSOR:SCREEN:STYLE? might return :CURSOR:SCREEN:STYLE X, indicating that the style for screen cursors is X.

CURSor:SCREEN:XPOSITION<x>

This command sets or queries the x position of the specified screen cursor. The cursor is specified by x, which can be 1 or 2. If the cursor is not specified, it defaults to cursor 1.

Group Cursor

Syntax CURSor:SCREEN:XPOSITION<x>
CURSor:SCREEN:XPOSITION<x>?

CURSor:SCREEN:YPOSITION<x>

This command sets or queries the y position of the specified screen cursor. The cursor is specified by x, which can be 1 or 2. If the cursor is not specified, it defaults to cursor 1.

Group Cursor

Syntax CURSor:SCREEN:YPOSITION<x>
CURSor:SCREEN:YPOSITION<x>?

CURSor:SOUrce<x>

This command sets or queries the source(s) for the currently selected cursor type. The cursor is specified by x, which can be 1 or 2. If the cursor is not specified, it defaults to cursor 1.

This command is equivalent to selecting Cursor Setup from the Cursors menu, and then choosing the desired cursor source.

Group Cursor

Syntax CURSor:SOUrce<x> {CH<x>|MATH<x>|REF<x>}
CURSor:SOUrce<x>?

Arguments CH<x> sets an input channel waveform as the cursor source. The valid channel waveform range is from 1 through 4.

MATH<x> sets a math waveform as the cursor source. The valid math waveform range is from 1 through 4.

REF<x> sets a reference waveform as the cursor source. The valid reference waveform range is from 1 through 4.

Returns Any valid waveform.

Examples CURSOR:SOURCE 1 CH2 sets the Cursor1 source to Channel 2.

CURSOR:SOURCE 2? might return :CURSOR:SOURCE2 CH2 indicating that the Cursor2 source is Channel 2.

CURSOR:SOURCE? might return :CURSOR:SOURCE1 CH2, indicating that the Cursor1 source is Channel 2. If you do not specify the cursor, the cursor 1 source is returned.

CURSor:STATE

This command sets or queries the state of cursors. Note that setting the cursor state does not modify the cursor type.

This command is equivalent to pressing the CURSOR button on the front panel.

Group Cursor

Syntax `CURSOR:STATE {ON|OFF|<NR1>}`
`CURSOR:STATE?`

Related Commands [CURSOR:FUNCTION](#)

Arguments ON displays the cursors.
OFF removes cursors from the display.
<NR1> = 0 disables the display cursors; any other value enables the display cursors.

Examples `CURSOR:STATE ON` displays the cursors.
`CURSOR:STATE?` might return `:CURSOR:STATE 1`, indicating that the cursors are active on the display.

CURSOR:VBARS

This command sets or queries the current settings for the vertical bar cursors or forces them to snap to positions specified by the `DATA:START` and `DATA:STOP` commands.

Group Cursor

Syntax `CURSOR:VBARS SNAP`
`CURSOR:VBARS?`

Related Commands [DATA:START](#), [DATA:STOP](#)

Arguments SNAP forces the position of vertical bar cursor 1 and 2 to snap to the waveform record points specified by the `DATA:START` and `DATA:STOP` commands, respectively.

Examples `CURSOR:VBARS SNAP` forces vertical bar cursor1 to the `DATA:START` position and vertical bar cursor 2 to the `DATA:STOP` position.
`CURSOR:VBARS?` might return the following vertical bar settings
`:CURSOR:VBARS:UNITS SECONDS;POSITION1 1.0000E-06;POSITION2 9.0000E-06.`

CURSOR:VBARS:DELTA? (Query Only)

This query-only command returns the horizontal difference between the two vertical bar cursors. The units are specified by the CURSOR:VBARS:UNITS command. The position can appear in units of Base or 1/Base.

Group Cursor

Syntax CURSOR:VBARS:DELTA?

Related Commands [CURSOR:VBARS:UNITS](#)

Returns A floating point value with an exponent.

Examples CURSOR:VBARS:DELTA? might return :CURSOR:VBARS:DELTA 1.0640E+00, indicating that the time between the vertical bar cursors is 1.064 s.

CURSOR:VBARS:POSITION<x>

This command sets or queries the horizontal position for vertical bar cursors. The cursor is specified by x, which can be 1 or 2. Values are with respect to trigger position or the zero reference point for the designated waveform (if horizontal units are not set to time). Use the CURSOR:VBARS:UNITS command to specify units. The position can appear in units of base or 1/base.

This command is the equivalent of selecting Cursor Setup from the Cursors menu, selecting V Bars Cursor Type, and then viewing or editing the desired cursor position.

Group Cursor

Syntax CURSOR:VBARS:POSITION<x> <NR3>
CURSOR:VBARS:POSITION<x>?

Related Commands [CURSOR:VBARS:UNITS](#)

Arguments <NR3> specifies the cursor position.

Returns A floating point value with an exponent.

Examples `CURSor:VBArS:POSITION2 9.00E-6` positions the cursor2 vertical bar cursor at 9 ms.

`CURSor:VBArS:POSITION1?` this command might return `:CURSOR:VBARS:POSITION1 1.0000E-06`, indicating that the cursor1 vertical bar is positioned at 1 ms.

CURSor:VBArS:POS<x>

This command sets or queries the horizontal position for vertical bar cursors. The cursor is specified by *x*, which can be 1 or 2. Values are with respect to trigger position or the zero reference point for the designated waveform (if horizontal units are not set to time). Use the `CURSor:VBArS:UNIts` command to specify units. The position can appear in units of base or 1/base.

This command is the equivalent of selecting Cursor Setup from the Cursors menu, selecting V Bars Cursor Type, and then viewing or editing the desired cursor position.

Group Cursor

Syntax `CURSor:VBArS:POS<x>`
`CURSor:VBArS:POS<x>?`

Related Commands [CURSor:VBArS:UNIts](#)

Arguments <NR3> specifies the cursor position.

Returns A floating point value with an exponent.

Examples `CURSor:VBArS:POS2 9.00E-6` positions the cursor2 vertical bar cursor at 9 ms.

`CURSor:VBArS:POS1?` this command might return `:CURSOR:VBARS:POS1 1.0000E-06`, indicating that the cursor1 vertical bar is positioned at 1 ms.

CURSor:VBArS:UNIts

This command sets or queries the units for the vertical bar cursors.

Group Cursor

Syntax CURSOR:VBARS:UNITS {SECONDS|HERTZ}
CURSOR:VBARS:UNITS?

Arguments SECONDS sets the units of the vertical bar cursors for the time domain (seconds).
HERTZ sets the units of the vertical bar cursors for the frequency domain (Hertz).

Returns A string for SECONDS or HERTZ, depending on the current vertical bar cursor units.

Examples CURSOR:VBARS:UNITS HERTZ sets the units of the vertical bar cursors to 1/seconds.
CURSOR:VBARS:UNITS? might return :CURSOR:VBARS:UNITS SECONDS, indicating that the units for the vertical bar cursor are currently set to seconds.

CURSOR:WAVEform

This command sets or queries the current settings for the waveform cursors or forces them to snap to positions specified by the DATA:START and DATA:STOP commands.

Group Cursor

Syntax CURSOR:WAVEform SNAP
CURSOR:WAVEform?

Related Commands [DATA:START](#), [DATA:STOP](#)

Arguments SNAP forces the position of waveform cursor 1 and 2 to snap to the waveform record points specified by the DATA:START and DATA:STOP commands, respectively.

Examples CURSOR:WAVEFORM SNAP forces waveform cursor1 to the DATA:START position and waveform cursor 2 to the DATA:STOP position.
CURSOR:WAVEFORM? might return the following waveform cursor settings :CURSOR:WAVEFORM:UNITS SECONDS; POSITION1 1.0000E-06; POSITION2 9.0000E-06.

CURSor:WAVEform:HDELTA? (Query Only)

This query-only command returns the horizontal difference between the waveform cursors. This is the absolute value of the horizontal position of the first cursor minus the horizontal position of the second cursor. This is equivalent to the waveform delta-time readout value.

Group Cursor

Syntax CURSor:WAVEform:HDELTA?

Examples CURSOR:WAVEFORM:HDELTA? might return :CURSOR:WAVEFORM:HDELTA 1.03E-9, indicating that the time between the waveform cursors is 1.03 ns.

CURSor:WAVEform:HPOS<x>? (Query Only)

This query-only command returns the position of the specified waveform cursor. The cursor is specified by x, which can be 1 or 2. This corresponds to the v1 or v2 (cursor 1 or cursor 2) cursor readout.

Group Cursor

Syntax CURSor:WAVEform:HPOS<x>?

Examples CURSOR:WAVEFORM:HPOS1? might return :CURSOR:WAVEFORM:HPOS2 0.247344970703, indicating that cursor 2 is at 247.3 mV with respect to ground on the source waveform.

CURSor:WAVEform:POSition<x>

This command sets or queries the position of a waveform cursor, which is constrained to be visible in the selected time base. (Use the CURSor:FUNctioN command to set the cursor function to Waveform.) The cursor is specified by x, which can be 1 or 2. This is equivalent to setting a value in the Position control in the Cursor1 or Cursor2 sections of the Cursor Setup dialog box (when Waveform is selected in the Function section).

Group Cursor

Syntax CURSor:WAVEform:POSition<x> {<NR3>}
 CURSor:WAVEform:POSition<x>?

Related Commands [CURSor:FUNCTion](#)

Arguments <NR3> specifies the cursor position measured relative to the time of the trigger point of the source waveform.

Examples CURSor:WAVEform:POSition2 9.00E-6 sets the waveform cursor 2 position to 9 μ s.

CURSor:WAVEform:POSition2? might return
 :CURSOR:WAVEFORM:POSITION2 51.0701402806E-009,
 indicating waveform cursor 2 is at 51.1 ns.

CURSor:WAVEform:STYLE

This command sets or queries the cursor type for Waveform mode.

Group Cursor

Syntax CURSor:WAVEform:STYle {LINE_X|LINES|X}
 CURSor:WAVEform:STYle?

Arguments LINE_X specifies the cursor style to be a line with superimposed X.
 LINES specifies the cursor style to be a line.
 X specifies the cursor style to be an X.

Examples CURSOR:WAVEFORM:STYLE LINES sets the cursor style to lines.

CURSOR:WAVEFORM:STYLE? might return :CURSOR:WAVEFORM:STYLE X,
 indicating that the style for waveform cursors is X.

CURSor:WAVEform:UNIts

This command sets or queries the units for waveform cursors.

Group Cursor

Syntax	CURSOR:WAVEform:UNITs BASE CURSOR:WAVEform:UNITs?
Arguments	BASE sets cursor units to base.
Examples	CURSOR:WAVEFORM:UNITS BASE sets the waveform cursor units to base. CURSOR:WAVEFORM:UNITS? might return :CURSOR:WAVEFORM:UNITS BASE, indicating that the units for waveform cursors are base.

CURSOR:WAVEform:VDELTA? (Query Only)

This query-only command returns the vertical difference between the waveform cursors. This is the absolute value of the vertical position of the first cursor minus the vertical position of the second cursor. This is equivalent to the waveform delta-voltage readout value.

Group	Cursor
Syntax	CURSOR:WAVEform:VDELTA?
Examples	CURSOR:WAVEFORM:VDELTA? might return :CURSOR:WAVEFORM:VDELTA 1.06E-3, indicating that the voltage between the waveform cursors is 1.06 mV.

CURSOR:XY? (Query Only)

This query-only command returns all of the XY cursor parameters.

NOTE. The values returned for all XY cursor readouts, that do not pertain to the current CURSOR:XY:READOUT setting, are returned as the IEEE representation of NAN (Not a Number): 99.1000E+36.

Group	Cursor
Syntax	CURSOR:XY?
Examples	CURSOR:XY? might return :CURSOR:XY:PRODELTA 99.1000E+36;PRODUCT1 99.1000E+36;PRODUCT2 99.1000E+36;READOUT RECTANGULAR;RADIUS1 99.1000E+36;RADIUS2 99.1000E+36;RATDELTA

99.1000E+36; RATIO 199.1000E+36;RATIO2 99.1000E+36;RDELTA
 99.1000E+36;RECTX1 1.0000;RECTX2 1.0200;RECTY1
 360.0001E-6;RECTY2360.0001E-6; THDELTA 99.1000E+36;THETA1
 99.1000E+36;THETA2 99.1000E+36;XDELTA 20.0000E-3;YDELTA 0.0000.

CURSOr:XY:PRODELta? (Query Only)

This query-only command returns the product of the difference between the cursors X positions and Y positions when the CURSOr:XY:READOUT is set to PRODUct. The $\Delta X \times \Delta Y$ value is calculated as (Cursor 2 X - Cursor 1 X) \times (Cursor 2 Y - Cursor 1 Y).

NOTE. This query is only valid when the CURSOr:XY:READOUT is set to PRODUct. If the readout is set other than product, the IEEE representation of NAN (Not a Number) is returned: 99.1000E+36.

Group	Cursor
Syntax	CURSOr:XY:PRODELta?
Examples	CURSOr:XY:PRODELTA? might return :CURSOr:XY:PRODELTA -24.9856, indicating that the $\Delta X \times \Delta Y$ value is -24.9856 VV.

CURSOr:XY:PRODUCT<x>? (Query Only)

This query-only command returns the product of the X and Y positions for the specified cursor when the CURSOr:XY:READOUT is set to PRODUct. The cursor is specified by x, which can be 1 or 2.

NOTE. This query is only valid when the CURSOr:XY:READOUT is set to PRODUct. If the readout is set other than product, the IEEE representation of NAN (Not a Number) is returned: 99.1000E+36.

Group	Cursor
Syntax	CURSOr:XY:PRODUCT<x>?

Examples `CURSOR:XY:PRODUCT1?` might return `:CURSOR:XY:PRODUCT1 806.4004E-3`, indicating that the product of the X position times the Y position for Cursor 1 is 806.4004 mV.

`CURSOR:XY:RADIUS<x>?` (Query Only)

This query-only command returns the radius of the specified cursor when the `CURSOR:XY:READOUT` is set to `POLARCoord`. The cursor is specified by `x`, which can be 1 or 2.

NOTE. This query is only valid when the `CURSOR:XY:READOUT` is set to `POLARCoord`. If the readout is set other than polar coordinates, the IEEE representation of NAN (Not a Number) is returned: `99.1000E+36`.

Group Cursor

Syntax `CURSOR:XY:RADIUS<x>?`

Examples `CURSOR:XY:RADIUS2?` might return `:CURSOR:XY:RADIUS2 4.9600`, indicating that the Cursor 2 radius is 4.9600 V.

`CURSOR:XY:RATDELta?` (Query Only)

This query-only command returns ratio of the difference between the cursors X position and Y position (ΔY , ΔX) when the `CURSOR:XY:READOUT` is set to `RATio`. The ratio is calculated as $(\text{Cursor 2 Y} - \text{Cursor 1 Y}) \div (\text{Cursor 2 X} - \text{Cursor 1 X})$.

NOTE. This query is only valid when the `CURSOR:XY:READOUT` is set to `RATio`. If the readout is set other than ratio, the IEEE representation of NAN (Not a Number) is returned: `99.1000E+36`.

Group Cursor

Syntax `CURSOR:XY:RATDELta?`

Examples `CURSOR:XY:RATDELTA?` might return `:CURSOR:XY:RATDELTA -1.0167`, indicating that the $\Delta Y/\Delta X$ ratio is -1.0167.

CURSor:XY:RATIO<x>? (Query Only)

This query-only command returns ratio the of the X (horizontal) and Y (vertical) position for the specified cursor when the [CURSor:XY:READOUT](#) is set to RATIo. The cursor is specified by x, which can be 1 or 2. The ratio is calculated as $Y \div X$.

NOTE. This query is only valid when the [CURSor:XY:READOUT](#) is set to RATIo. If the readout is set other than ratio, the IEEE representation of NAN (Not a Number) is returned: 99.1000E+36.

Group	Cursor
Syntax	CURSor:XY:RATIO<x>?
Examples	CURSor:XY:RATIO1? might return :CURSOR:XY:RATIO1 15.8730E-3 indicating that the ratio of the X and Y positions for Cursor 1 is 15.8730E-3.

CURSor:XY:RDELta? (Query Only)

This query-only command returns the delta radius (Δr) value when the is set to POLARCoord.

NOTE. This query is only valid when the [CURSor:XY:READOUT](#) is set to POLARCoord. If the readout is set other than polar coordinates, the IEEE representation of NAN (Not a Number) is returned: 99.1000E+36.

Group	Cursor
Syntax	CURSor:XY:RDELta?
Examples	CURSOR:XY:RDELTA? might return :CURSOR:XY:RDELTA 6.9600, indicating that the difference between the cursors radius is 6.9600 V.

CURSor:XY:READOUT

This command sets or queries the XY cursor readout (available when [DISplay:FORMat](#) is set to XY).

Group	Cursor
Syntax	CURSOR:XY:READOUT {RECTangular POLARCoord PRODUCT RATIO} CURSOR:XY:READOUT?
Related Commands	DISplay:FORMat
Arguments	<p>RECTangular displays the following values: X1, X2, ΔX, Y1, Y2, ΔY, t1, t2, Δt.</p> <p>POLARCoord displays the following values: r1, r2, Δr, q1, q2, Δq, t1, t2, Δt.</p> <p>PRODUCT displays the following values: X1 x Y1, X2 x Y2, ΔX x ΔY, t1, t2, ΔDt.</p> <p>RATIO displays the following values: Y1 , X1, Y2 , X2, ΔY , x ΔX, t1, t2, Δt.</p>
Examples	<p>CURSOR:XY:READOUT RECTangular sets the XY cursor readout to rectangular.</p> <p>CURSOR:XY:READOUT? might return :CURSOR:XY:READOUT RECTANGULAR, indicating that the XY cursor readout is set to rectangular mode.</p>

CURSOR:XY:RECTX<x>

This command sets or queries the X cursor position in rectangular coordinates. The cursor is specified by x, which can be 1 or 2.

NOTE. This query is only valid when the *CURSOR:XY:READOUT* is set to *RECTangular*. If the readout is set other than rectangular coordinates, the IEEE representation of NAN (Not a Number) is returned: 99.1000E+36.

Group	Cursor
Syntax	CURSOR:XY:RECTX<x> {<NR3>} CURSOR:XY:RECTX<x>?
Arguments	<NR3> is the X position of the specified cursor in rectangular coordinates.
Examples	<p>CURSOR:XY:RECTX2 5.04 sets the X position of Cursor 2 to 5.04 V in rectangular coordinates.</p> <p>CURSOR:XY:RECTX1? might return :CURSOR:XY:RECTX1 5.1200, indicating that the X position of Cursor 1 is set to 5.1200 in rectangular coordinates.</p>

CURSor:XY:RECTY<x>

This command sets or queries the Y cursor position in rectangular coordinates. The cursor is specified by x, which can be 1 or 2.

NOTE. This query is only valid when the *CURSor:XY:READOUT* is set to *RECTangular*. If the readout is set to other than rectangular coordinates, the IEEE representation of NAN (Not a Number) is returned: 99.1000E+36.

Group	Cursor
Syntax	CURSor:XY:RECTY<x> {<NR3>} CURSor:XY:RECTY<x>?
Arguments	<NR3> is the Y position of the specified cursor in rectangular coordinates.
Examples	CURSor:XY:RECTY1 2.5 sets the Y position of Cursor 1 to 2.5 V. CURSor:XY:RECTY2? might return :CURSOR:XY:RECTY2 4.8800, indicating that the position of Cursor 2 in rectangular coordinates is 4.88 V.

CURSor:XY:THDELta? (Query Only)

This query-only command returns the XY cursor angle delta in polar coordinates.

NOTE. This query is only valid when the *CURSor:XY:READOUT* is set to *POLARCoord*. If the readout is set other than polar coordinates, the IEEE representation of NAN (Not a Number) is returned: 99.1000E+36.

Group	Cursor
Syntax	CURSor:XY:THDELta?
Examples	CURSOR:XY:THDELTA? might return :CURSOR:XY:THDELTA 136.3748, indicating that the Dq XY cursor angle is 136.3748 degrees.

CURSor:XY:THETA<x>? (Query Only)

This query-only command returns the XY cursor angle in polar coordinates. The cursor is specified by x, which can be 1 or 2.

NOTE. This query is only valid when the *CURSor:XY:READOUT* is set to *POLARCoord*. If the readout is set other than polar coordinates, the IEEE representation of NAN (Not a Number) is returned: 99.1000E+36.

Group Cursor

Syntax CURSor:XY:THETA<x>?

Examples CURSor:XY:THETA2? might return :CURSOR:XY:THETA2 -89.0906, indicating that the Channel 2 XY cursor angle in polar coordinates is -89.0906 degrees.

CURSor:XY:XDELta? (Query Only)

This query-only command returns the XY cursor X delta value in rectangular coordinates.

NOTE. This query is only valid when the *CURSor:XY:READOUT* is set to *RECTangular*. If the readout is set to other than rectangular coordinates, the IEEE representation of NAN (Not a Number) is returned: 99.1000E+36.

Group Cursor

Syntax CURSor:XY:XDELta?

Examples CURSOR:XY:XDELTA? might return :CURSOR:XY:XDELTA 40.0000E-3, indicating that the DX value is 40 mV.

CURSor:XY:YDELta? (Query Only)

This query-only command returns the XY cursor Y delta value in rectangular coordinates.

NOTE. This query is only valid when the *CURSor:XY:READOUT* is set to *RECTangular*. If the readout is set to other than rectangular coordinates, the IEEE representation of NAN (Not a Number) is returned: 99.1000E+36.

Group	Cursor
Syntax	CURSor:XY:YDELta?
Examples	CURSOR:XY:YDELTA? might return :CURSOR:XY:YDELTA 40.0000E-6, indicating that the DY value is 40 μ V.

CURVe

This command transfers waveform data to and from the instrument. Each waveform that is transferred has an associated waveform preamble that contains information such as data format and scale.

The CURVe? query transfers data from the instrument. The data source is specified by the [DATA:SOURce](#) command. The first and last data points are specified by the [DATA:STARt](#) and [DATA:STOP](#) commands.

The CURVe command transfers waveform data to the instrument. The data is stored in the reference memory location specified by [DATA:DESTination](#), starting with the data point specified by [DATA:STARt](#). Only one waveform can be transferred at a time. The waveform will only be displayed if the reference is displayed.

Group	Waveform Transfer
Syntax	CURVe {<Block> <asc curve>} CURVe?
Related Commands	DATA:DESTination , DATA:SOURce , DATA:STARt , DATA:STOP , SAVe:WAVEform , SAVe:WAVEform:FILEFormat , WFMinpre? , WFMinpre:BYT_Nr , WFMinpre:NR_FR , WFMinpre:NR_FR?
Arguments	<p><Block> is the waveform data in binary format. The waveform is formatted as: #<x><yyy><data><newline>, where:</p> <ul style="list-style-type: none"> <x> is the number of y bytes. For example, if <yyy>=500, then <x>=3) <yyy> is the number of bytes to transfer. If width is 1, then all bytes on the bus are single data points. If width is 2, then all bytes on the bus are

2-byte pairs. If width is 4, then all bytes on the bus are 4-byte pairs. Use the [WFMinpre:BYT_Nr](#) command to set the width.

<data> is the curve data.

<newline> is a single byte new line character at the end of the data.

<asc curve> is the waveform data in ASCII format. The format for ASCII data is <NR1>[,<NR1>...], where each <NR1> represents a data point.

Examples

CURVE <Block> sets the format of the waveform data, transferred to and from the instrument, to binary format.

CURVE? with ASCII encoding, start and stop of 1 and 10 respectively, and a width set to 1 might return :CURVE 61,62,61,60,60,-59,-59,-58,-58,-59

NOTE. *Curve data is transferred from the instrument asynchronously and, depending upon the length of the curve record, such transfers can require several seconds to complete. During this time, the instrument will not respond to user controls. You can interrupt these asynchronous data transfers by sending a device clear message to the instrument or by interrupting the query with another command or query. Verify that curve data has been completely transferred.*

*It is recommended that you follow such queries with an *ESR? query and verify that the error bit returned and, if set, check the event queue to ascertain the reason for the error. If the error was caused by an interrupted query, then the asynchronous data transfer had not completed when the *ESR? query was sent. In this case, you may need increase your program's time-out value to ensure that all data is transferred and read.*

CURVENext? (Query Only)

This query-only command returns unique waveform data from the instrument. This query performs just like :CURVe?, except multiple uses guarantee that the waveform returned is always a new acquisition since the previous :CURVENext?. Note that if the instrument is acquiring waveform records at a slow rate (high resolution mode), you must configure the controller for long timeout thresholds. Data will not be transferred until a new waveform has been acquired since the previous :CURVENext? response.

Group Waveform Transfer

Syntax CURVENext?

Related Commands [CURVe?](#), [DATA:DESTination](#), [DATA:SOURce](#), [DATA:START](#), [DATA:STOP](#), [WFMOutpre?](#)

Examples CURVENEXT? This query with ASCII encoding, start and stop of 1 and 10 respectively, and a width set to 1 might return :CURVENEXT 61,62,61,60,60,-59,-59,-58,-58,-59.

CURVEStream

This query continuously transfers waveform data from the instrument as it is acquired. This command puts the instrument into a talk-only mode, allowing the controller to receive waveform records as fast as (and as soon as) they are acquired. Use the [DATA:SOURce](#) command to specify the waveform sources. The command does the same thing as the [CURVe](#) command.

- Control of the instrument through the user interface or other external client is not possible while in streaming mode.
- The GPIB controller must take the instrument out of this continuous talking mode to terminate the query and allow other input sources to resume communication with the instrument. The following options are available to transition out of streaming curve mode: send a device clear over the bus or send another query to the instrument (a MEPE Query Interrupted error will occur, but the instrument will be placed back into its normal talk/listen mode).
- Turning the waveform screen display mode off (:DISplay:WAVEform OFF) will increase waveform throughput during streaming mode.
- While in streaming mode, two extreme conditions can occur. If the waveform records are being acquired slowly (high resolution), configure the controller for long time-out thresholds, as the data is not sent out until each complete record is acquired. If the waveform records are being acquired rapidly (low resolution), and the controller is not reading the data off the bus fast enough, the trigger rate is slowed to allow each waveform to be sent sequentially.

Group Waveform Transfer

Syntax CURVEStream {<Block>|<asc curve>}
CURVEStream?

Related Commands [CURVe](#), [DATA:DESTination](#), [DATA:SOURce](#), [DATA:START](#), [DATA:STOP](#), [SAVE:WAVEform](#), [SAVE:WAVEform:FILEFormat](#), [WFMinpre?](#), [WFMinpre:BYT_Nr](#), [WFMOutpre?](#), [WFMinpre:NR_FR](#), [WFMOutpre:NR_FR?](#)

Arguments See the [CURVe](#) command.

Returns Waveform data in its native binary format. To save processing time, [DATA:ENCdg FASTEST](#) is set and waveform data is shipped in its raw native format.

DATA

This command sets or queries the format and location of the waveform data that is transferred with the [CURVe](#) command.

Group Waveform Transfer

Syntax DATA {INIT|SNAP}
DATA?

Related Commands [CURVe](#), [DATA:START](#), [DATA:STOP](#), [DATA:ENCdg](#), [SAVE:WAVEform:FILEFormat](#), [WFMinpre:NR_FR](#), [WFMinpre:NR_Pt](#), [WFMOupre:NR_FR?](#), [WFMOupre:NR_Pt?](#)

Arguments INIT initializes the waveform data parameters to their factory defaults.
SNAP sets DATA:START and DATA:STOP to match the current V Bar/Paired/Split cursor positions.

Examples DATA INIT initializes the waveform data parameters to their factory defaults.
DATA? might return :DATA:DESTINATION REF1;ENCDG RIBINARY;SOURCE CH1;START 1;STOP 1000;FRAMESTART 1;FRAMESTOP 1000.

DATA:DESTINATION

This command sets or queries the reference memory location for storing waveform data that is transferred into the instrument by the [CURVe](#) command.

Group Waveform Transfer

Syntax DATA:DESTINATION REF<x>
DATA:DESTINATION?

Related Commands [CURVe](#)

Arguments REF<x> is the reference where the waveform will be stored. The reference number is specified by x, which ranges from 1 through 4.

Examples DATA:DESTINATION? might return :DATA:DESTINATION REF3, indicating that reference 3 is the currently selected reference memory location for waveform data. DATA:DESTINATION REF1 indicates that incoming waveform data be stored in reference 1.

DATA:ENCdg

This command sets or queries the format of outgoing waveform data. This command is equivalent to setting [WFMOupre:ENCdg](#), [WFMOupre:BN_Fmt](#), and [WFMOupre:BYT_Or](#). Setting the DATA:ENGdg value causes the corresponding WFMOupre values to be updated and visa versa.

NOTE. Values are constrained (for outbound data) to the format of the data specified by DATA:SOUrce.

Group Waveform Transfer

Syntax DATA:ENCdg
 {ASCIi | FASTest | RIBinary | RPBinary | FPBinary | SRIBinary
 | SRPbinary | SFPbinary}
 DATA:ENCdg?

Related Commands [WFMOupre:ENCdg](#), [WFMOupre:BN_Fmt](#), [WFMOupre:BYT_Or](#)

Arguments

- **ASCIi** specifies the ASCII representation of signed INT, FLOAT. If ASCII is the value, then :BN_Fmt and :BYT_Or are ignored.

- **FASTest** specifies that the data be sent in the fastest possible manner consistent with maintaining accuracy and is interpreted with respect to the first waveform specified in the DATA:SOURce list.

:ENCdg will always be BIN, :BYT_Or will always be LSB, but :BN_Fmt and :BYT_Nr will depend on the first DATA:SOURce waveform. :BN_Fmt will be RI unless the waveform is internally stored as a floating point number, in which case the FP format will be used.

- **RIBinary** specifies signed integer data point representation with the most significant byte transferred first.

When :BYT_Nr is 1, the range is from -128 through 127. When :BYT_Nr is 2, the range is from -32,768 through 32,767. When :BYT_Nr is 8, then the waveform being queried has been set to Fast Acquisition mode. Center screen is 0 (zero). The upper limit is one division above the top of the screen and the lower limit is one division below the bottom of the screen. This is the default argument.

- **RPBinary** specifies the positive integer data-point representation, with the most significant byte transferred first.

When :BYT_Nr is 1, the range from 0 through 255. When :BYT_Nr is 2, the range is from 0 to 65,535. When :BYT_Nr is 8, then the waveform being queried has been set to Fast Acquisition mode. The center of the screen is 127. The upper limit is one division above the top of the screen and the lower limit is one division below the bottom of the screen.

- **FPBinary** specifies the floating point (width = 4) data.

The range is from -3.4×10^{38} to 3.4×10^{38} . The center of the screen is 0. The upper limit is one division above the top of the screen and the lower limit is one division below the bottom of the screen.

The **FPBinary** argument is only applicable to math waveforms or ref waveforms saved from math waveforms.

- **SRIBinary** is the same as **RIBinary** except that the byte order is swapped, meaning that the least significant byte is transferred first. This format is useful when transferring data to IBM compatible PCs.
- **SRPBinary** is the same as **RPBinary** except that the byte order is swapped, meaning that the least significant byte is transferred first. This format is useful when transferring data to PCs.
- **SFPBinary** specifies floating point data in IBM PC format. The **SFPBinary** argument only works on math waveforms or ref waveforms saved from math waveforms.

Table 2-15: DATA and WFMOupre Parameter Settings

DATA:ENCdg Setting	WFMOupre Settings			
	:ENCdg	:BN_Fmt	:BYT_Or	:BYT_NR
ASCii	ASC	N/A	N/A	1,2,4,8
FAStest	BIN	RI/FP	MSB	1,2,4
RIBinary	BIN	RI	MSB	1,2,8
RPBinary	BIN	RP	MSB	1,2,8
FPBinary	BIN	FP	MSB	4
SRIbinary	BIN	RI	LSB	1,2,8
SRPbinary	BIN	RP	LSB	1,2,8
SFPbinary	BIN	FP	LSB	4

Examples DATA:ENCDG RPBinary sets the data encoding format to be a positive integer where the most significant byte is transferred first.

DATA:ENCDG? might return DATA:ENCDG SRPBINARY for the format of the outgoing waveform data.

DATA:FRAMESTART

This command sets or queries the starting data frame for waveform transfer. This command allows for transferring partial frames of the waveform to and from the instrument.

Group Waveform Transfer

Syntax DATA:FRAMESTART <NR1>
DATA:FRAMESTART?

Arguments <NR1> is the first data frame that is transferred, which ranges from 1 to the number of acquired frames. Data is transferred from <NR1> to [DATA:FRAMESTOP](#) or the number a acquired frames, whichever is less. If <NR1> is greater than the number of acquired frames, then you will receive the last acquired frame. If no frames were acquired, then you receive the first frame which contains all nulls.

Returns The starting data frame for waveform transfer.

Examples [DATA:FRAMESTART](#) 10 specifies that the waveform transfer will begin with frame 10.

[DATA:FRAMESTART ?](#) might return `:DATA:FRAMESTART 214` indicating the first waveform frame that will be transferred.

DATA:FRAMESTOP

This command sets or queries the ending data frame for waveform transfer. This command allows for transferring partial frames of the waveform to and from the instrument.

Group Waveform Transfer

Syntax `DATA:FRAMESTOP <NR1>`
`DATA:FRAMESTOP?`

Arguments `<NR1>` is the last data frame that is transferred, which ranges from 1 to the number of acquired frames. If `<NR1>` is greater than the number of acquired frames, then you will receive up to the number of acquired frames. If both `DATA:FRAMESTART` and `DATA:FRAMESTOP` are greater than the number of acquired frames, then you will receive the last acquired frame. If no frames were acquired, then you receive the first frame which contains all nulls.

`DATA:FRAMESTART` and `DATA:FRAMESTOP` are order independent. The smaller number is used as in [CURVe](#) and [SAVe:WAVEform](#) queries.

To always transfer complete waveforms, set `DATA:FRAMESTART` to 1 and `DATA:FRAMESTOP` to the maximum number of acquired frames, or larger.

Returns The last data frame that will be transferred.

Examples [DATA:FRAMESTOP 1500](#) specifies that the waveform transfer will stop with frame 1500.

[DATA:FRAMESTOP ?](#) might return `:DATA:FRAMESTOP 14900` indicating the last waveform frame that will be transferred.

DATA:SOURce

This command sets or queries the location of waveform data that is transferred from the instrument by the [CURVe?](#) Query.

Group Waveform Transfer

Syntax DATA:SOURCE <wfm> [<,><wfm>]
DATA:SOURCE?

Related Commands [CURVe](#)

Arguments <wfm> is the location of the waveform data that will be transferred from the instrument to the controller.

Examples DATA:SOURCE CH1 specifies that the CH1 waveforms will be transferred in the next CURVe? query.

DATA:SOURCE? might return :DATA:SOURCE REF3, indicating that the source for the waveform data which is transferred using a CURVe? query is reference 3.

DATA:START

This command sets or queries the starting data point for waveform transfer. This command allows for the transfer of partial waveforms to and from the instrument.

Group Waveform Transfer

Syntax DATA:START <NR1>
DATA:START?

Related Commands [CURVe](#), [DATA](#), [DATA:STOP](#), [SAVE:WAVEform](#), [SAVE:WAVEform:FILEFormat](#), [WFMinpre:NR_Pt](#), [WFMOupre:NR_Pt?](#), [WFMinpre:NR_FR](#), [WFMOupre:NR_FR?](#)

Arguments <NR1> is the first data point that will be transferred, which ranges from 1 to the record length. Data will be transferred from <NR1> to DATA:STOP or the record length, whichever is less. If <NR1> is greater than the record length, the last data point in the record is transferred.

DATA:START and DATA:STOP are order independent. When DATA:STOP is greater than DATA:START, the values will be swapped internally for the CURVE? query.

Examples DATA:START 10 specifies that the waveform transfer will begin with data point 10.

DATA:START? might return :DATA:START 214, indicating that data point 214 is the first waveform data point that will be transferred.

DATA:STOP

This command sets or queries the last data point that will be transferred when using the [CURVe?](#) query. This command allows for the transfer of partial waveforms to the controller.

Changes to the record length value are not automatically reflected in the data:stop value. As record length is varied, the data:stop value must be explicitly changed to ensure the entire record is transmitted. In other words, curve results will not automatically and correctly reflect increases in record length if the distance from data:start to data:stop stays smaller than the increased record length.

NOTE. When using the [CURVe](#) command, [DATA:STOP](#) is ignored and [WFMinpre:NR_Pt](#) is used.

Group Waveform Transfer

Syntax DATA:STOP <NR1>
DATA:STOP?

Related Commands [CURVe](#), [DATA](#), [DATA:START](#), [SAVE:WAVEform](#), [SAVE:WAVEform:FILEFormat](#), [WFMinpre:NR_Pt](#), [WFMinpre:NR_FR](#), [WFMinpre:NR_FR?](#), [WFMinpre:NR_FR?](#)

Arguments <NR1> is the last data point that will be transferred, which ranges from 1 to the record length. If <NR1> is greater than the record length, then data will be transferred up to the record length. If both [DATA:START](#) and [DATA:STOP](#) are greater than the record length, the last data point in the record is returned.

[DATA:START](#) and [DATA:STOP](#) are order independent. When [DATA:STOP](#) is less than [DATA:START](#), the values will be swapped internally for the [CURVe?](#) query.

If you always want to transfer complete waveforms, set [DATA:START](#) to 1 and [DATA:STOP](#) to the maximum record length, or larger.

Examples DATA:STOP 15000 specifies that the waveform transfer will stop at data point 15000.

DATA:STOP? might return :DATA:STOP 14900, indicating that 14900 is the last waveform data point that will be transferred.

DATE

This command sets or queries the date that the instrument can display. This command is equivalent to selecting Set Date & Time from the Utilities menu and then setting the fields in the Date group box.

Group Miscellaneous

Syntax DATE <QString>
DATE?

Related Commands [TIME](#)

Arguments <QString> is a date in the form “yyyy-mm-dd” where yyyy refers to a four-digit year number, mm refers to a two-digit month number from 01 to 12, and dd refers to a two-digit day number in the month.

Examples DATE "2000-01-24" specifies that the date is set to January 24, 2000.
DATE? might return :DATE 2000-01-24, indicating the current date is set to January 24, 2000.

*DDT

This command allows you to specify a command or a list of commands that are executed when the instrument receives a [*TRG](#) command or the GET GPIB interface message. Define Device Trigger (*DDT) is a special alias that the *TRG command uses.

Group Miscellaneous

Syntax *DDT {<Block>|<QString>}
*DDT?

Related Commands [ALias](#), [*TRG](#)

Arguments <Block> is a complete sequence of program messages. The messages can contain only valid commands that must be separated by semicolons and must follow all rules for concatenating commands. The sequence must be less than or equal to 80 characters. The format of this argument is always returned as a query.

<QString> is a complete sequence of program messages. The messages can contain only valid commands that must be separated by semicolons and must follow all rules for concatenating commands. The sequence must be less than or equal to 80 characters.

Examples *DDT #OACQUIRE:STATE RUN specifies that the acquisition system will be started each time a *TRG command is sent.

DELEte:SETUp (No Query Form)

This command (no query form) changes the setup to reference the factory setup instead of the specific user setup slot. The content of the setup slot is unchanged, but the data will no longer be accessible to you.

This command is equivalent to selecting Delete from the File menu, and then clicking the specific setup you want to delete (user setups are shown as Setup-User and are ordered in the list from 1 through 10, if defined) or All Setups.

NOTE. *The setup information cannot be recovered once it has been deleted.*

Group Save and Recall

Syntax DELEte:SETUp {ALL | <NR1>}

Related Commands *RCL, RECAI:SETUp, *RST, *SAV, SAVe:SETUp, *SDS

Arguments ALL deletes all the stored setups.

<NR1> specifies a setup storage location to delete. Setup storage location values range from 1 through 10; using an out-of-range value causes an error.

Examples DELEte:SETUP ALL deletes all stored setups. All ten storage locations are initialized to the factory default setup.

DELEte:WAVEform (No Query Form)

This command (no query form) deletes one or all stored reference waveforms from memory.

This command is equivalent to selecting Delete from the File menu, and then choosing the reference waveform you want to delete; choosing All Refs deletes all of the reference waveforms.

Group Save and Recall

Syntax DELETE:WAVEform {ALL|REF<x>}

Related Commands [RECALL:WAVEform](#), [SAVE:WAVEform](#)

Arguments ALL specifies to delete all the stored reference waveforms.
REF<x> specifies to delete one of the reference memory locations. Reference memory location values range from 1 through 4.

Examples DELETE:WAVEFORM ALL removes all waveforms stored in reference memory.
DELETE:WAVEFORM REF2 removes the waveform stored at REF2.

DESE

This command sets and queries the bits in the Device Event Status Enable Register (DESER). The DESER is the mask that determines whether events are reported to the Standard Event Status Register (SESR), and entered into the Event Queue. For a more detailed discussion of the use of these registers, see Registers.

Group Status and Error

Syntax DESE <NR1>
DESE?

Related Commands [*CLS](#), [*ESE](#), [*ESR?](#), [EVENT?](#), [EVMsg?](#), [*SRE](#), [*STB?](#)

Arguments <NR1> The binary bits of the DESER are set according to this value, which ranges from 1 through 255. For example, DESE 209 sets the DESER to the binary value 11010001 (that is, the most significant bit in the register is set to 1, the next most significant bit to 1, the next bit to 0, etc.).

The power-on default for DESER is all bits set if *PSC is 1. If *PSC is 0, the DESER maintains the previous power cycle value through the current power cycle.

NOTE. Setting the *DESER* and *ESER* to the same value allows only those codes to be entered into the Event Queue and summarized on the ESB bit (bit 5) of the Status Byte Register. Use the **ESE* command to set the *ESER*.

Examples DESE 209 sets the DESER to binary 11010001, which enables the PON, URQ, EXE and OPC bits.

DESE? might return :DESE 186, showing that the DESER contains the binary value 10111010.

DIAG:CONTROL:HALT

This command determines or queries whether the next execution of diagnostics looping will stop on the first diagnostic failure that occurs or will continue to loop on the selected set of diagnostic functions. This command is equivalent to selecting Instrument Diagnostics from the Utilities menu and then enabling Halt on Fail.

Group Diagnostics

Syntax DIAG:CONTROL:HALT {ON|OFF|<NR1>}
DIAG:CONTROL:HALT?

Related Commands [DIAG:CONTROL:LOOP](#)

Arguments ON enables the halt function, causing the execution of diagnostics looping to halt at the first diagnostic failure that occurs.

OFF disables the halt looping function, allowing the instrument to continue to loop on the entire set of diagnostics, even if diagnostic failure occurs.

<NR1> = 0 enables the halt function; any other value disables the halt function.

Examples DIAG:CONTROL:HALT ON enables the halt function, causing the execution of diagnostics looping to halt at the first diagnostic failure that occurs.

DIAG:CONTROL:HALT? might return :DIAG:CONTROL:HALT 0, indicating that the halt function is enabled.

DIAG:CONTROL:LOOP

This command determines or queries whether the next execution of diagnostics executes once or continuously loops on the selected set of diagnostics (assuming

the halt control is set to off using the [DIAg:CONTROL:HALT](#) command or that the halt control is set to ON but no failures occur). This command is equivalent to selecting Instrument Diagnostics from the Utilities menu and then enabling Loop Control.

Group Diagnostics

Syntax DIAg:CONTROL:LOOP {ON|OFF|<NR1>}
DIAg:CONTROL:LOOP?

Related Commands [DIAg:CONTROL:HALT](#), [DIAg:STOP](#)

Arguments ON enables the loop function, causing the execution of diagnostics to continuously loop.
OFF disables the loop function, causing the instrument to execute the entire set of diagnostics once and then halt.
<NR1> = 0 enables the loop function; any other value disables the loop function.

Examples DIAg:CONTROL:LOOP ON enables the loop function.
DIAg:CONTROL:LOOP? might return :DIAg:CONTROL:LOOP 0, indicating that looping on diagnostics is enabled.

DIAg:EXECUTE (No Query Form)

This command (no query form) starts the execution of the currently selected set of diagnostics. This command is equivalent to selecting Instrument Diagnostics from the Utilities menu and then pressing Run.

Group Diagnostics

Syntax DIAg:EXECUTE

Related Commands [DIAg:STATE](#)

Examples DIAg:EXECUTE starts the execution of the entire set of diagnostics.

DIAG:FAILURES:CLEAR

This command sets and queries the clearing of pass/fail information from data structures, not the Event Log, at the start of diagnostic tests.

Group	Diagnostics
Syntax	DIAG:FAILURES:CLEAR {<NR1> OFF ON} DIAG:FAILURES:CLEAR?
Arguments	ON clears pass/fail information from data structures, not the Event Log, at the start of tests. OFF does not clear pass/fail information at the start of tests. <NR1> = 0 turns off the clearing the pass/fail information at the start of tests; any other value turns on the clearing of pass/fail information.
Examples	DIAG:FAILURES:CLEAR ON clears pass/fail information on the start of tests. DIAG:FAILURES:CLEAR? might return DIAG:FAILURES:CLEAR 1 indicating that pass/fail information will be cleared at the start of tests.

DIAG:ITEM? (Query Only)

This query-only command returns the diagnostics settings. This command is equivalent to selecting Instrument Diagnostics from the Utilities menu, and then reviewing the diagnostics settings.

This query-only command can be issued while diagnostics are still in progress.

Group	Diagnostics
Syntax	DIAG:ITEM? <NR1>
Related Commands	DIAG:ITEM:FAILURES? , DIAG:ITEM:NAME? , DIAG:ITEM:RESULT? , DIAG:ITEM:SUBITEMS?
Arguments	<NR1> sets the index item about which data will be returned, which ranges from 0 through 15.

Examples `DIAG:ITEM? 2` might return `:DIAG:ITEM 2,"Acquisition","Pass",0,8`, indicating that the acquisition test passed and that there were 0 failures of the 8 subitems for that test.

DIAG:ITEM:FAILURES? (Query Only)

This query-only command returns the total number of failures. This command is equivalent to selecting Instrument Diagnostics from the Utilities menu and then reviewing the Diagnostic Status.

This query-only command can be issued while diagnostics are still in progress.

Group Diagnostics

Syntax `DIAG:ITEM:FAILURES? <NR1>`

Related Commands [DIAG:ITEM?](#), [DIAG:ITEM:NAME?](#), [DIAG:ITEM:RESULT?](#), [DIAG:ITEM:SUBITEMS?](#)

Arguments `<NR1>` sets the index item about which data will be returned, which ranges from 0 through 15.

Examples `DIAG:ITEM:FAILURES? 2` might return `:DIAG:ITEM:FAILURES 2,0`, indicating that there were 0 failures for item 2.

DIAG:ITEM:NAME? (Query Only)

This query-only command returns the name of the selected menu item. This command is equivalent to selecting Instrument Diagnostics from the Utilities menu and then reviewing the Subsystem, Area and Test settings.

This query-only command can be issued while diagnostics are still in progress.

Group Diagnostics

Syntax `DIAG:ITEM:NAME? <NR1>`

Related Commands [DIAG:ITEM?](#), [DIAG:ITEM:FAILURES?](#), [DIAG:ITEM:RESULT?](#), [DIAG:ITEM:SUBITEMS?](#)

Arguments <NR1> sets the index item about which data will be returned, which ranges from 0 through 15.

Examples `DIAG:ITEM:NAME? 2` might return `:DIAG:ITEM:NAME 2,"Acquisition"` indicating that the selected menu item (2) is Acquisition.

DIAG:ITEM:RESULT? (Query Only)

This query-only command returns the result from the last execution of the item. This command is equivalent to selecting Instrument Diagnostics from the Utilities menu and then reviewing the Diagnostic Status.

This query-only command can be issued while diagnostics are still in progress.

Group Diagnostics

Syntax `DIAG:ITEM:RESULT? <NR1>`

Related Commands [DIAG:ITEM?](#), [DIAG:ITEM:NAME?](#), [DIAG:ITEM:FAILURES?](#), [DIAG:ITEM:SUBITEMS?](#)

Arguments <NR1> sets the index item about which data will be returned, which ranges from 0 through 15.

Examples `DIAG:ITEM:RESULT? 2` might return `:DIAG:ITEM:RESULT 2,"Pass"`, indicating that the item passed during the last execution.

`DIAG:ITEM:RESULT? 2` might return `:DIAG:ITEM:RESULT 2,"Fail"`, indicating that the item failed during the last execution.

`DIAG:ITEM:RESULT? 2` might return `:DIAG:ITEM:RESULT 2," "`, indicating that the item was not run.

DIAG:ITEM:SUBITEMS? (Query Only)

This query-only command returns the number of subitems associated with the item. This command is equivalent to selecting Instrument Diagnostics from the Utilities menu, choosing the Subsystem, Area or Test setting and then reviewing the resulting subitems.

This query-only command can be issued while diagnostics are still in progress.

Group	Diagnostics
Syntax	DIAG:ITEM:SUBITEMS? <NR1>
Related Commands	DIAG:ITEM? , DIAG:ITEM:NAME? , DIAG:ITEM:FAILURES? , DIAG:ITEM:RESULT?
Arguments	<NR1> sets the index item about which data will be returned, which ranges from 0 through 15.
Examples	DIAG:ITEM:SUBITEMS? 2 might return :DIAG:ITEM:SUBITEMS 2,8, indicating that there are 8 subitems associated with the selected item.

DIAG:LEVEL

This command sets or returns the selected level of diagnostic test hierarchy. This command is equivalent to selecting Instrument Diagnostics from the Utilities menu and then reviewing the Diagnostic Status.

Group	Diagnostics
Syntax	DIAG:LEVEL {SUBSYS AREA TEST} DIAG:LEVEL?
Arguments	SUBSYS sets diagnostic testing to the subsystem level. AREA sets diagnostic testing to the area level. TEST sets diagnostic testing to the test level.
Examples	DIAG:LEVEL AREA sets the level of diagnostic test hierarchy to Area. DIAG:LEVEL? might return :DIAG:LEVEL SUBSYSI, indicating that the current level of diagnostic test hierarchy is Subsys.

DIAG:LOOPS? (Query Only)

This query-only command returns the number of times that the selected diagnostics set was completed during the last diagnostic execution. This command is equivalent to selecting Instrument Diagnostics from the Utilities menu and then reviewing the Elapsed Loops.

This query-only command can be issued while diagnostics are still in progress.

Group Diagnostics

Syntax `DIAG:LOOPS?`

Examples `DIAG:LOOPS?` might return `:DIAG:LOOPS 5` indicating that the selected set of diagnostics was completed five times during the last diagnostic execution.

DIAG:NAME? (Query Only)

This query-only command returns the names of the subsystem, area, and test of the current diagnostic test. This command can be issued while diagnostics are still in progress.

Group Diagnostics

Syntax `DIAG:NAME?`

Related Commands [DIAG:NAME:AREA?](#), [DIAG:NAME:SUBSYS?](#), [DIAG:NAME:TEST?](#)

Examples `DIAG:NAME?` might return `:DIAG:NAME:SUBSYS "Processor";AREA "Memory";TEST"DRAMwalk1"`, indicating the subsystem name, area name, and test name of the currently selected diagnostic test.

DIAG:NAME:AREA? (Query Only)

This query-only command returns the selected area of the current diagnostic test. There are three levels of diagnostic test hierarchy: subsystem, area and test. This command is equivalent to selecting Instrument Diagnostics from the Utilities menu and then reviewing the Diagnostic Status.

This query-only command can be issued while diagnostics are still in progress.

Group Diagnostics

Syntax `DIAG:NAME:AREA?`

Related Commands [DIAg:NAME?](#), [DIAg:NAME:SUBSYS?](#), [DIAg:NAME:TEST?](#)

Examples `DIAG:NAME:AREA?` might return `:DIAG:NAME:AREA "Memory"` indicating the selected area name of the current diagnostic test.

DIAG:NAME:SUBSYS? (Query Only)

This query-only command returns the subsystem of the current diagnostic test. This command is equivalent to selecting Instrument Diagnostics from the Utilities menu and then reviewing the Diagnostic Status.

This query-only command can be issued while diagnostics are still in progress.

Group Diagnostics

Syntax `DIAG:NAME:SUBSYS?`

Related Commands [DIAg:NAME?](#), [DIAg:NAME:AREA?](#), [DIAg:NAME:TEST?](#)

Examples `DIAG:NAME:SUBSYS?` might return `:DIAG:NAME:SUBSYS "Acquisition"`, indicating the subsystem name of the current diagnostic test.

DIAG:NAME:TEST? (Query Only)

This query-only command returns the name of the current diagnostic test. This command is equivalent to selecting Instrument Diagnostics from the Utilities menu and then reviewing the Diagnostic Status.

This query-only command can be issued while diagnostics are still in progress.

Group Diagnostics

Syntax `DIAG:NAME:TEST?`

Related Commands [DIAg:NAME?](#), [DIAg:NAME:AREA?](#), [DIAg:NAME:SUBSYS?](#)

Examples `DIAG:NAME:TEST?` might return `:DIAG:NAME:TEST "diagDataFormatConf"`, indicating the test name of the current diagnostic test.

DIAG:NUMITEMS? (Query Only)

This query-only command returns the number of items on the currently selected level of test hierarchy, which ranges from 1 through 15. This command is equivalent to selecting Instrument Diagnostics from the Utilities menu and then reviewing the Diagnostic Status.

This query-only command can be issued while diagnostics are still in progress.

Group Diagnostics

Syntax DIAG:NUMITEMS?

Examples DIAG:NUMITEMS? might return :DIAG:NUMITEMS 7, indicating the number of items on the currently selected level of test hierarchy.

DIAG:RESuLts? (Query Only)

This query-only command returns an abbreviated status about the results of the last diagnostic (or test) execution. For a more explanatory status message, use the [DIAG:RESuLts:VERBose?](#) query. This command is equivalent to selecting Instrument Diagnostics from the Utilities menu and then reviewing the Diagnostic Status.

This query-only command can be issued while diagnostics are still in progress.

Group Diagnostics

Syntax DIAG:RESuLts?

Related Commands [DIAG:RESuLts:VERBose?](#)

Examples DIAG:RESULTS? might return :DIAG:RESULTS "135", indicating the specific failure code of the first test failure that occurred.

DIAG:RESULTS? might return :DIAG:RESULTS "Pass", indicating that the last diagnostic test passed.

DIAG:RESULTS? might return :DIAG:RESULTS "*****", indicating that the diagnostic test was not run.

DIAG:RESuLts:VERBoSe? (Query Only)

This query-only command returns a more explanatory message about the results of the last diagnostic (or test) execution than the [DIAG:RESuLts?](#) query. This command is equivalent to selecting Instrument Diagnostics from the Utilities menu and then reviewing the Diagnostic Status.

This query-only command can be issued while diagnostics are still in progress.

Group Diagnostics

Syntax `DIAG:RESuLts:VERBoSe?`

Related Commands [DIAG:RESuLts?](#)

Examples `DIAG:RESULTS:VERBOSE?` might return
`:DIAG:RESULTS:VERBOSE "DIAG ABORTED, ERROR 15 in A2D-Dmux
 1 interconnects".`

DIAG:SELEct:ALL (No Query Form)

This command (no query form) selects all available diagnostics. This command is equivalent to selecting Instrument Diagnostics from the Utilities menu and then choosing ALL from the Subsystem, Area and Test pull-down lists.

Group Diagnostics

Syntax `DIAG:SELEct:ALL ALL`

Related Commands [DIAG:NAME:AREA?](#), [DIAG:NAME:SUBSYS?](#), [DIAG:NAME:TEST?](#), [DIAG:EXECUTE](#)

Arguments ALL selects all available diagnostics.

Examples `DIAG:SELECT:ALL ALL` selects all available diagnostics.

DIAG:SElect:AREA

This command selects or queries an available diagnostic area. This command is equivalent to selecting Instrument Diagnostics from the Utilities menu and then selecting an Area from the pull-down list.

NOTE. *This command should be executed only if [DIAG:LEVEL](#) is currently set to [AREA](#).*

Group Diagnostics

Syntax `DIAG:SElect:AREA <NR1>`
`DIAG:SElect:AREA?`

Related Commands [DIAG:SElect:SUBSYS](#), [DIAG:SElect:TEST](#), [DIAG:SElect:LAST](#)

Arguments <NR1> selects a diagnostic area by number, which can range from 0 (zero selects all) through 15 (as specified by [DIAG:NUMITEMS?](#)).

Examples `DIAG:SELECT:AREA 1` selects Area 1 as the area to be diagnosed.
`DIAG:SELECT:AREA?` might return `:DIAG:SELECT:AREA 0`, indicating that all areas are selected.

DIAG:SElect:LAST

This command selects one or more diagnostic menu items to be executed via the [DIAG:EXECUTE](#) command. If you specify [DIAG:LEVEL SUBSYS](#), then menu items come from this diagnostic level and are limited to the value returned by the [DIAG:NUMITEMS?](#) query. For example, if the return from the [DIAG:NUMITEMS?](#) query is `:DIAG:NUMITEMS 5`, specifying `DIAG:SELECT:SUBSYS 2` indicates that diagnostics will start from subsystem 2 and that you can specify a range from 2 through 5 for `DIAG:SELECT:LAST`.

If you enter: `DIAG:SElect:LAST 2`, only subsystem 2 will be executed.
`DIAG:SElect:LAST 4`, subsystems 2 *through* 4 will be executed.

Group Diagnostics

Syntax `DIAG:SElect:LAST <NR1>`
`DIAG:SElect:LAST?`

Related Commands	DIAg:EXECUTE , DIAg:LEVEL , DIAg:NAME:AREA? , DIAg:NAME:SUBSYS? , DIAg:NAME:TEST? , DIAg:NUMITEMS? , DIAg:SElect:SUBSYS
Arguments	<NR1> selects an integer that identifies the number of the last item that will be executed when the DIAg:EXECUTE command is run.
Examples	DIAg:SELECT:LAST 2 specifies that (based on the example in the description above) only subsystem 2 will be executed. DIAg:SELECT:LAST? might return :DIAg:SELECT:LAST 5 , indicating that 5 is the last item of a group of items from the current level of test hierarchy.

[DIAg:SElect:SUBSYS](#)

This command selects or queries the available subsystem. This command is equivalent to selecting Instrument Diagnostics from the Utilities menu and then choosing a Subsystem from the drop-down list.

NOTE. This command should be executed only if [DIAg:LEVEL](#) is currently set to [SUBSYS](#).

Group	Diagnostics
Syntax	DIAg:SElect:SUBSYS <NR1> DIAg:SElect:SUBSYS?
Related Commands	DIAg:SElect:AREA , DIAg:SElect:LAST
Arguments	<NR1> selects a subsystem by number, which can range from 0 (zero selects ALL) through 15 (as limited by the return from DIAg:NUMITEMS?).
Examples	DIAg:SELECT:SUBSYS 1 selects Subsystem 1 as the subsystem to be diagnosed. DIAg:SELECT:SUBSYS? might return :DIAg:SELECT:SUBSYS 0 , indicating that all subsystems are selected.

DIAG:SElect:TEST

This command selects or queries one of the available tests. This command is equivalent to selecting Instrument Diagnostics from the Utilities menu and then choosing a Test from the drop-down list.

NOTE. *This command should be executed only if [DIAG:LEVEL](#) is currently set to [TEST](#).*

Group Diagnostics

Syntax [DIAG:SElect:TEST <NR1>](#)
[DIAG:SElect:TEST?](#)

Related Commands [DIAG:SElect:AREA](#), [DIAG:SElect:LAST](#), [DIAG:SElect:SUBSYS](#)

Arguments <NR1> selects a test by number, which can range from 0 (zero selects ALL) through 15 (as limited by the return from [DIAG:NUMITEMS?](#)).

Examples [DIAG:SELECT:TEST 1](#) selects Test 1 as the test to be executed.
[DIAG:SELECT:TEST?](#) might return [:DIAG:SELECT:TEST 0](#), indicating all tests have been selected.

DIAG:STATE

This command changes the instrument operating state. Depending on the argument, diagnostics capabilities are either turned on or off. This command is equivalent to opening the [DIAG:STATE](#) dialog (ON) or closing it (OFF).

Group Diagnostics

Syntax [DIAG:STATE {EXECUTE|ON|OFF|<NR1>}](#)
[DIAG:STATE?](#)

Related Commands [TEST:STOP](#)

Arguments	<p>EXECUTE starts execution of the diagnostics.</p> <p>ON puts the instrument into the state in which diagnostics can be run. This argument is thrown automatically if the DIAG:EXECUTE command is executed.</p> <p>OFF disables diagnostics capabilities and returns the instrument to a normal operating state.</p> <p><NR1> = 0 disables diagnostics capabilities and returns the instrument to a normal operating state; any other value enables diagnostics.</p>
Examples	<p>DIAG:STATE OFF turns off diagnostics capabilities and returns the instrument to a normal operating state.</p> <p>DIAG:STATE? might return :DIAG:STATE 0, indicating that diagnostics are disabled.</p>

DIAG:STOP (No Query Form)

This command (no query form) causes diagnostics (or test) execution to terminate at the end of the next low-level test. This command is equivalent to selecting Instrument Diagnostics from the Utilities menu and then clicking Abort.

Group	Diagnostics
Syntax	DIAG:STOP
Related Commands	TEST:STOP
Examples	DIAG:STOP terminates diagnostics (or test) execution at the end of the next low-level test.

DISplay? (Query Only)

This query-only command returns the current Display settings. This command is equivalent to selecting Display Setup from the Display menu and then viewing the contents of each tab.

Group	Display Control
Syntax	DISplay?

Examples DISPLAY? might return :DISPLAY:CLOCK 1;COLOR:PALETTE:IMAGEVIEW
 MONOGREEN; RECORDVIEW TEMPERATURE;USER:GRATICULE
 165,50,15;CH1 180,50,100; CH2 300,50,100;CH3
 60,50,100;CH4 240,50,100;REF1 0,90,0; REF2
 0,90,100;REF3 60,90,100;REF4 240,90,100;MATH1
 160,50,100; MATH2 40,60,100;MATH3 120,60,100;MATH4
 195,50,100; HISTOGRAM 320,50,100;CARET 150,50,100;MASK
 0,25,75;MASKHIGHLIGHT 140,50,100;;:DISPLAY:COLOR:MATHCOLOR
 DEFAULT;REFCOLOR DEFAULT; :DISPLAY:FILTER SINX;FORMAT
 YT;GRATICULE IRE;INTENSITY :WAVEFORM:IMAGEVIEW
 81.0000;RECORDVIEW 81.0000;;:DISPLAY :INTENSITY:AUTOBRIGHT
 0; :DISPLAY:PERSISTENCE OFF;STYLE DOTS;TRIGBAR OFF;TRIGT
 1; CURSORTICK LONG;VARPERSIST 2.6000;SCREENTEXT:STATE
 1; LABEL1:NAME "";XPOS 100;YPOS 5;;:DISPLAY:SCREENTEXT
 :LABEL2:NAME "THIS IS SCREEN TEXT";XPOS 100;YPOS 20;
 :DISPLAY:SCREENTEXT:LABEL3:NAME "";XPOS 100;YPOS 35;
 :DISPLAY:SCREENTEXT:LABEL4:NAME "";XPOS 100;YPOS 50;
 :DISPLAY:SCREENTEXT:LABEL5:NAME "";XPOS 100;YPOS 343;
 :DISPLAY:SCREENTEXT:LABEL6:NAME "";XPOS 100;YPOS 80;
 :DISPLAY:SCREENTEXT:LABEL7:NAME "";XPOS 100;YPOS 95;
 :DISPLAY:SCREENTEXT:LABEL8:NAME "";XPOS 100;YPOS 110;
 :DISPLAY:WAVEFORM 1.

DISplay:CLOCK

This command sets or queries the display of the date and time. This is equivalent to selecting Display Date & Time from the Display menu. The query form of this command returns an ON (1) or an OFF (0).

Group Display Control

Syntax DISp|ay:CLOCK {ON|OFF|<NR1>}
 DISp|ay:CLOCK?

Related Commands [DATE](#), [TIME](#)

Arguments ON enables display of date and time.
 OFF disables display of date and time.
 <NR1> = 0 disables display of date and time; any other value enables display of date and time.

Examples `DISPLAY:CLOCK ON` enables display of date and time.
`DISPLAY:CLOCK?` might return `:DISPLAY:CLOCK 1` indicating that the display of date and time is currently enabled.

DISplay:COLOr? (Query Only)

This query-only command returns the settings from the PALETTE, MATHCOLOR and REFCOLOR commands. This is equivalent to selecting Colors from the Display menu.

Group Display Control

Syntax `DISplay:COLOr?`

Arguments None

Examples `DISPLAY:COLOR?` might return `:DISPLAY:COLOR:PALETTE:IMAGEVIEW TEMPERATURE;RECORDVIEW NORMAL;USER:GRATICULE 165,50,15;CH1 180,50,100;CH2 300,50,100;CH3 60,50,100;CH4 240,50,100;REF1 0,90,0;REF2 0,90,100;REF3 60,90,100;REF4 240,90,100;MATH1 160,50,100;MATH2 40,60,100;MATH3 120,60,100;MATH4 195,50,100;HISTOGRAM 320,50,100;CARET 150,50,100;MASK 0,25,75;MASKHIGHLIGHT 140,50,100;:DISPLAY:COLOR:MATHCOLOR DEFAULT;REFCOLOR DEFAULT` indicating that the primary source waveform color is used for each math trace.

DISplay:COLOr:MATHCOLOR

This command sets or queries the color to be used for math traces, either in the standard palette's nominal Math color, or according to the color of the source waveform. This command is equivalent to selecting Display Setup from the Display menu and then choosing the Colors tab.

Group Display Control

Syntax `DISplay:COLOr:MATHCOLOR {DEFAULT|INHERIT}`
`DISplay:COLOr:MATHCOLOR?`

Related Commands [DISplay:COLOr:PALEtte:IMAGEView](#), [DISplay:COLOr:PALEtte:RECORDView](#)

Arguments DEFAULT sets color math traces in nominal palette math color, which is red.
 INHERIT sets color math traces in the source waveform color. Math waveforms are drawn in the same color as their primary source waveform.

Examples DISPLAY:COLOR:MATHCOLOR DEFAULT sets the color math traces in the nominal palette math color.
 DISPLAY:COLOR:MATHCOLOR? might return :DISPLAY:COLOR:MATHCOLOR INHERIT, indicating that the primary source waveform color is used for each math trace.

DISplay:COLOR:PALEtte:IMAGEView

This command sets or queries the color palette for all image view (DPO and WfmDB) traces.

Group Display Control

Syntax DISplay:COLOR:PALEtte:IMAGEView
 {NORMAl|MONOGREEN|MONOGRAY|TEMPERature|SPECTRa1|USER}
 DISplay:COLOR:PALEtte:IMAGEView?

Arguments NORMAl colors traces according to their channel. This is the default color palette.
 MONOGREEN colors traces green, emulating a traditional instrument color palette.
 MONOGRAY colors traces gray, emulating a monochrome instrument.
 TEMPERature
 All traces share a multicolored palette, where “intensity” is represented by hue; blue for least frequently hit, red for most frequently hit.
 SPECTRa1.
 All traces share a multicolored palette, where “intensity” is represented by hue; red for least frequently hit, blue for most frequently hit.
 USER.
 All traces share a user-defined palette.

Examples DISPLAY:COLOR:PALETTE:IMAGEVIEW MONOGRAY sets the palette for all display types.
 DISPLAY:COLOR:PALETTE:IMAGEVIEW? might return :DISPLAY:COLOR:PALETTE:IMAGEVIEW NORMAL, indicating that

the Normal color palette is currently selected, which colors traces according to their channel.

DISplay:COLOR:PALETTE:RECORDView

This command sets or queries the color palette for all record view (non image view) waveforms.

Group Display Control

Syntax DISplay:COLOR:PALETTE:RECORDview
 {NORMAL|MONOGREEN|MONOGRAY|TEMPERature|SPECTra1|USER}
 DISplay:COLOR:PALETTE:RECORDview?

Arguments NORMAL colors traces according to their channel. This is the default color palette.
 MONOGREEN colors traces green, emulating a traditional instrument color palette.
 MONOGRAY colors traces gray, emulating a monochrome instrument.
 TEMPERature colors all traces using a multicolored palette, where “intensity” is represented by hue; blue for least frequently hit, red for most frequently hit. All traces share this palette.
 SPECTra1 colors all traces using a multicolored palette, where “intensity” is represented by hue; red for least frequently hit, blue for most frequently hit. All traces share this palette.
 USER colors all traces using a user-defined palette. All traces share this palette.

Examples DISPLAY:COLOR:PALETTE:RECORDVIEW MONOGRAY sets the palette for all display types.
 DISPLAY:COLOR:PALETTE:RECORDVIEW? might return
 :DISPLAY:COLOR:PALETTE:RECORDVIEW NORMAL, indicating that the Normal color palette is currently selected, which colors traces according to their channel.

DISplay:COLOR:PALETTE:USER

This command queries the color palette for group settings. It outputs settings from the DISplay CARET, CH<x>, GRATICULE, HISTOGRAM, MASK, MASKHIGHLIGHT, MATH<x>, and REF<x> commands.

Group Display Control

Syntax	DISplay:COLOR:PALETTE:USER RESET DISplay:COLOR:PALETTE:USER?
Arguments	RESET sets all user palettes to their default values.
Examples	DISPLAY:COLOR:PALETTE:USER? might return :DISPLAY:COLOR:PALETTE:USER:GRATICULE 165,50,15;CH1 180,50,100;CH2 300 50,100;CH3 60,50,100;CH4 240,50,100;REF1 0,90,0;REF2 0,90,100;REF3 60,90,100;REF4 240,90,100;MATH1 160,50,100;MATH2 40,60,100;MATH3 120,60,100;MATH4 195,50,100;HISTOGRAM 320,50,100;CARET 150,50,100;MASK 0,25,75;MASKHIGHLIGHT 140,50,100.

DISplay:COLOR:PALETTE:USER:CAREt

This command sets or queries the caret color for the user palette. It assigns the HUE, light, Saturation (HLS) triplet used for the caret color. The caret is the solid, inverted delta positioned on the top graticule line, which indicates the trigger position within the waveform record.

Group	Display Control
Syntax	DISplay:COLOR:PALETTE:USER:CAREt <NR1>,<NR1>,<NR1> DISplay:COLOR:PALETTE:USER:CAREt?
Arguments	<NR1> Hue. Range of 0 to 360. <NR1> Lightness. Range of 0 to 100. <NR1> Saturation. Range of 0 to 100.
Examples	DISPLAY:COLOR:PALETTE:USER:CARET 330,75,100 sets the caret color hue to 330, the lightness to 75, and the saturation to 100. DISPLAY:COLOR:PALETTE:USER:CARET? might return :DISPLAY:COLOR:PALETTE:USER:CARET 250, 85, 90, indicating that the color hue is set at 250, the lightness is set to 85, and the saturation is set to 90.

DISplay:COLOR:PALEtte:USER:CH<x>

This command sets or queries the hue-lightness-saturation (HLS) triplet to be used for the specified channel color for the user palette. The channel is specified by x. The value of x can range from 1 through 4.

Group Display Control

Syntax DISplay:COLOR:PALEtte:USER:CH<x> <NR1>, <NR1>, <NR1>
DISplay:COLOR:PALEtte:USER:CH<x>?

Arguments <NR1> Hue. Range of 0 to 360.
<NR1> Lightness. Range of 0 to 100.
<NR1> Saturation. Range of 0 to 100.

Examples DISplay:COLOR:PALEtte:USER:CH1 330,75,100 sets a user palette of hue = 330, lightness = 75, and saturation = 100 for Channel 1.

DISplay:COLOR:PALEtte:USER:CH2? might return
:DISPLAY:COLOR:PALETTE:USER:CH2 325,65,100 indicating
that Channel 2 color for the user palette is set at 325 for hue, 65 for lightness,
and 100 for saturation.

DISplay:COLOR:PALEtte:USER:GRAticule

This command sets or queries the user palette graticule color. It assigns the hue-lightness-saturation triplet to be used for the graticule color for the user palette.

Group Display Control

Syntax DISplay:COLOR:PALEtte:USER:GRAticule <NR1>, <NR1>, <NR1>
DISplay:COLOR:PALEtte:USER:GRAticule?

Arguments <NR1> Hue. Range of 0 to 360.
<NR1> Lightness. Range of 0 to 100.
<NR1> Saturation. Range of 0 to 100.

Examples `DISPLAY:COLOR:PALETTE:USER:GRATICULE 330,75,100` sets the graticule color for the user palette.

`DISPLAY:COLOR:PALETTE:USER:GRATICULE?` might return `:DISPLAY:COLOR:PALETTE:USER:GRATICULE 300,60,85`, indicating that the user palette graticule color is assigned a hue of 300, a lightness of 60, and a saturation of 85.

DISplay:COLOR:PALEtte:USER:HIStogram

This command sets or queries the user palette histogram color. It assigns the hue-saturation-lightness (HLS) triplet to be used for the histogram color for the user palette.

Group Display Control

Syntax `DISplay:COLOR:PALEtte:USER:HIStogram <NR1>,<NR1>,<NR1>`
`DISplay:COLOR:PALEtte:USER:HIStogram?`

Arguments `<NR1>` Hue. Range of 0 to 360.
`<NR1>` Lightness. Range of 0 to 100.
`<NR1>` Saturation. Range of 0 to 100.

Examples `DISPLAY:COLOR:PALETTE:USER:HISTOGRAM 330,75,100` sets the histogram color for the user palette.

`DISPLAY:COLOR:PALETTE:USER:HISTOGRAM?` might return `:DISPLAY:COLOR:PALETTE:USER:HISTOGRAM 330,50,90`, indicating that the user palette histogram color is assigned a hue of 330, a lightness of 50, and a saturation of 90.

DISplay:COLOR:PALEtte:USER:MASK

This command sets or queries the user palette mask color. It assigns the hue-lightness-saturation (HLS) color for the mask color for the user palette.

Group Display Control

Syntax `DISplay:COLOR:PALEtte:USER:MASK <NR1>,<NR1>,<NR1>`
`DISplay:COLOR:PALEtte:USER:MASK?`

Arguments	<p><NR1> Hue. Range of 0 to 360.</p> <p><NR1> Lightness. Range of 0 to 100.</p> <p><NR1> Saturation. Range of 0 to 100.</p>
Examples	<p>DISPLAY:COLOR:PALETTE:USER:MASK 330,75,100 sets the mask color for the user palette.</p> <p>DISPLAY:COLOR:PALETTE:USER:MASK? might return :DISPLAY:COLOR:PALETTE:USER:MASK 330,50,90, indicating that the user palette mask color is assigned a hue of 330, a lightness of 50, and a saturation of 90.</p>

DISplay:COLOR:PALEtte:USER:MASKHighlight

This command sets or queries the user palette mask hits color. It assigns the hue-lightness-saturation (HLS) triplet to be used for the mask highlight (mask hits) color for the user palette.

Group	Display Control
Syntax	<p>DISplay:COLOR:PALEtte:USER:MASKHighlight <NR1>,<NR1>,<NR1></p> <p>DISplay:COLOR:PALEtte:USER:MASKHighlight?</p>
Arguments	<p><NR1> Hue. Range of 0 to 360.</p> <p><NR1> Lightness. Range of 0 to 100.</p> <p><NR1> Saturation. Range of 0 to 100.</p>
Examples	<p>DISPLAY:COLOR:PALETTE:USER:MASKHIGHLIGHT 330,75,100 sets the mask highlight (mask hits) color for the user palette.</p> <p>DISPLAY:COLOR:PALETTE:USER:MASKHIGHLIGHT? might return :DISPLAY:COLOR:PALETTE:USER:MASK:HIGHLIGHT 325,65,100, indicating that the user palette mask highlight color is assigned a hue of 325, a lightness of 65, and a saturation of 100.</p>

DISplay:COLOR:PALEtte:USER:MATH<x>

This command sets or queries the user palette math colors. It assigns the hue-lightness-saturation (HLS) triplet to be used for the specified math waveform for the user palette. The math waveform is specified by x. The value of x can range from 1 through 4.

Group	Display Control
Syntax	DISplay:COLOR:PALETTE:USER:MATH<x> <NR1>,<NR1>,<NR1> DISplay:COLOR:PALETTE:USER:MATH<x>?
Arguments	<NR1> Hue. Range of 0 to 360. <NR1> Lightness. Range of 0 to 100. <NR1> Saturation. Range of 0 to 100.
Examples	DISPLAY:COLOR:PALETTE:USER:MATH2 330,75,100 sets the color of the specified Math 2 waveform for the user palette. DISPLAY:COLOR:PALETTE:USER:MATH2? might return :DISPLAY:COLOR:PALETTE:USER:MATH2 345,75,98, indicating that the user palette color of the Math 2 waveform is set to a hue of 345, a lightness of 75, and a saturation of 98.

DISplay:COLOR:PALETTE:USER:REF<x>

This command sets or queries the user palette reference colors assigned to the reference waveforms. It assigns the hue-lightness-saturation (HLS) triplet to be used for the specified reference waveform color for the user palette. The reference waveform is specified by x. The value of x can range from 1 through 4.

Group	Display Control
Syntax	DISplay:COLOR:PALETTE:USER:REF<x> <NR1>,<NR1>,<NR1> DISplay:COLOR:PALETTE:USER:REF<x>?
Arguments	<NR1> Hue. Range of 0 to 360. <NR1> Lightness. Range of 0 to 100. <NR1> Saturation. Range of 0 to 100.
Examples	DISPLAY:COLOR:PALETTE:USER:REF1 330,75,100 sets the Reference 1 waveform color for the user palette. DISPLAY:COLOR:PALETTE:USER:REF2? might return :DISPLAY:COLOR:PALETTE:USER:REF2 300,90,100, indicating that the user palette color for Reference 2 waveform is assigned a hue of 300, and lightness of 90, and a saturation of 100.

DISplay:COLOr:PALEtte:USEr:WAVEform

This command sets or queries the user palette waveform colors. It assigns the hue-lightness-saturation (HLS) triplet to be used for the specified waveform for the user palette.

Group Display Control

Syntax DISplay:COLOr:PALEtte:USEr:WAVEform
 {HLS|TEMPERature|SPECTra1}
 DISplay:COLOr:PALEtte:USEr:WAVEform?

Arguments HLS sets the color of user waveforms to the hue, lightness, and saturation specified by the DISplay:COLOr:PALEtte:USEr:<wfm> commands.

TEMPERature sets the color of user waveforms to temperature.

SPECTra1 sets the color of user waveforms to spectral.

Examples DISPLAY:COLOR:PALETTE:USER:WAVEFORM SPECTRAL sets the user waveforms color palette to spectral.

DISPLAY:COLOR:PALETTE:USER:WAVEFORM? might return
 :DISPLAY:COLOR:PALETTE:USER:WAVEFORM TEMPERATURE, indicating that the color of user waveforms is set to temperature.

DISplay:COLOr:REFCOLOr

This command sets or queries the color to be used for reference traces, either in the standard palette's nominal REF color or according to the color of the source waveform. This command is equivalent to selecting Display Setup from the Display menu and then choosing the Colors tab.

Group Display Control

Syntax DISplay:COLOr:REFCOLOr {DEFAULT|INHERIT}
 DISplay:COLOr:REFCOLOr?

Related Commands [DISplay:INTENSITY:WAVEform:IMAGEView](#), [DISplay:INTENSITY:WAVEform:RECORDView](#)

Arguments	<p>DEFAULT assigns color reference traces to the nominal palette reference color, which is off-white.</p> <p>INHERIT assigns color reference traces to the source waveform color.</p>
Examples	<p>DISPLAY:COLOR:REFCOLOR DEFAULT assigns color reference traces to the nominal palette reference color, which is off-white.</p> <p>DISPLAY:COLOR:REFCOLOR? might return :DISPLAY:COLOR:REFCOLOR INHERIT, indicating that source waveform color is used for reference traces.</p>

DISplay:FILTer

This command sets or queries the type of interpolation to use for the display. Filtering only applies to normal-mode acquisition. The DISplay:FILTer command also provides selection for acquisition interpolation type. This command is equivalent to selecting Waveform Interpolation from the Display menu.

Group	Display Control
Syntax	<p>DISplay:FILTer {LINEAr SINX}</p> <p>DISplay:FILTer?</p>
Arguments	<p>LINEAr specifies linear interpolation, where acquired points are connected with straight lines.</p> <p>SINX specifies sin(x)/x interpolation, where acquired points are fit to a curve.</p>
Examples	<p>DISPLAY:FILTER SINX specifies sine-curve interpolation, when magnifying waveforms.</p> <p>DISPLAY:FILTER? might return :DISPLAY:FILTER LINEAr, indicating that straight-line interpolation is specified for magnifying waveforms.</p>

DISplay:FORMat

This command sets or queries the display format. This command is equivalent to selecting Format from the Display menu.

Group	Display Control
--------------	-----------------

Syntax `DISplay:FORMat {YT|XY|XYZ}`
`DISplay:FORMat?`

Arguments YT sets the display to a voltage versus time format and is the default mode.

XY argument displays one waveform against another. The source pairs that make up an XY trace are predefined and are listed in the following table. Selecting one source causes its corresponding source to be implicitly selected, producing a single trace from the two input waveforms.

XYZ argument is available only for four-channel instruments. For <4 GHz models, the argument combines channel 1 and channel 2 for X and Y coordinates and uses channel 3 to provide the intensity value for the sample. For ≥4 GHz models, the argument combines channel 1 and channel 3 for X and Y coordinates and uses channel 2 to provide the intensity value for the sample. XYZ groups channels 1, 2 and 3 to form a single trace. Other channel, math, and reference waveforms are turned off.

Table 2-16: XY Format Pairs

X-Axis Source	Y-Axis Source <4 GHz Models	Y-Axis Source ≥4 GHz Models
CH 1	CH 2	CH 3
CH 2		CH 4
CH 3	CH 4	
Ref 1	Ref 2	Ref 3
Ref 2		Ref 4
Ref 3	Ref 4	

Examples `DISPLAY:FORMAT YT` selects a voltage versus time format for the display.

`DISPLAY:FORMAT?` might return `:DISPLAY:FORMAT XY` is for the display format, indicating that the display is in the XY mode.

DISplay:GRAticule

This command selects or queries the type of graticule that is displayed. This command is equivalent to selecting Graticule Style from the Display menu.

Group Display Control

Syntax `DISplay:GRAticule`
`{CROSSHair|FRAME|FULL|GRID|IRE|NTSC|MV|PAL}`
`DISplay:GRAticule?`

Arguments	<p>CROSSHair specifies a frame and cross hairs.</p> <p>FRaME specifies a frame only.</p> <p>FULl specifies a frame, a grid and cross hairs.</p> <p>GRId specifies a frame and grid only.</p> <p>IRE specifies an IRE video graticule, and sets the vertical scale to 143 mV per division.</p> <p>NTSC specifies an NTSC video graticule (same as the IRE graticule), and sets the vertical scale to 133 mV per division.</p> <p>MV specifies an mV video graticule and sets the vertical scale to 133 mV per division. This graticule is used to measure PAL standard video signals.</p> <p>PAL specifies a PAL video graticule (same as the mV graticule) and sets the vertical scale to 133 mV per division. This graticule is used to measure PAL standard video signals.</p>
Examples	<p>DISPLAY:GRATICULE FRAME sets the graticule type to display the frame only.</p> <p>DISPLAY:GRATICULE? might return :DISPLAY:GRATICULE FULL, indicating that all graticule elements are selected.</p>

DISplay:INTENSITy? (Query Only)

This query-only command returns the waveform saturation level and screen saver settings. This command is equivalent to selecting Display Setup from the Display menu and choosing the Appearance tab.

Group	Display Control
Syntax	DISplay:INTENSITy?
Related Commands	DISplay:INTENSITy:WAVEform:IMAGEView , DISplay:INTENSITy:WAVEform:RECORDView
Arguments	None
Examples	<p>DISPLAY:INTENSITy? might return</p> <p>:DISPLAY:INTENSITy:WAVEform:IMAGEVIEW</p> <p>75.0000;RECORDVIEW 10.0000;:DISPLAY:INTENSITy:AUTOBRIGHT 1.</p>

DISplay:INTENSITy:WAVEform:IMAGEView

This command sets or queries the saturation level for image view waveforms.

Group Display Control

Syntax DISplay:INTENSITy:WAVEform:IMAGEView <NR2>
DISplay:INTENSITy:WAVEform:IMAGEView?

Related Commands [DISplay:INTENSITy:WAVEform:RECORDView](#)

Arguments <NR2> is the waveform saturation and ranges from 10 to 100 percent.

Examples DISPLAY:INTENSITY:WAVEFORM:IMAGEVIEW 100 sets the image view waveform saturation to 100 percent.

DISPLAY:INTENSITY:WAVEFORM:IMAGEVIEW? might return
:DISPLAY:INTENSITY:WAVEFORM:IMAGEVIEW 60.0000, indicating that the saturation level of the image view waveforms is currently set to 60 percent.

DISplay:INTENSITy:WAVEform:RECORDView

This command sets or queries the saturation level for record view waveforms.

Group Display Control

Syntax DISplay:INTENSITy:WAVEform:RECORDView <NR2>
DISplay:INTENSITy:WAVEform:RECORDView?

Related Commands [DISplay:INTENSITy:WAVEform:IMAGEView](#)

Arguments <NR2> is the waveform saturation and ranges from 10 to 100 percent.

Examples DISPLAY:INTENSITY:WAVEFORM:RECORDVIEW 100 sets the record view waveform saturation to 100 percent.

DISPLAY:INTENSITY:WAVEFORM:RECORDVIEW? might return
:DISPLAY:INTENSITY:WAVEFORM:RECORDVIEW 60.0000, indicating that the saturation of the record view waveforms is currently set to 60 percent.

DISplay:PERsistence

This command sets or queries the persistence aspect of the display. This affects the display only and is equivalent to selecting Display Persistence from the Display menu.

Group Display Control

Syntax DISplay:PERsistence {OFF|INFPersist|VARpersist}
DISplay:PERsistence?

Related Commands [DISplay:VARpersist](#)

Arguments OFF disables the persistence aspect of the display.
INFPersist sets a display mode where any pixels, once touched by samples, remain set until cleared by a mode change.
VARPersist sets a display mode where set pixels are gradually dimmed.

Examples DISPLAY: PERSISTENCE VARPERSIST sets the persistence aspect of the display to fade set pixels according to the time set in the [DISplay:VARpersist](#) command.
DISPLAY: PERSISTENCE? might return :DISPLAY: PERSISTENCE OFF, indicating that the persistence aspect of the display is disabled.

DISplay:PERsistence:RESET (No Query Form)

This query-only command controls the clearing of persistence data.

Group Display Control

Syntax DISplay:PERsistence:RESET

Related Commands [DISplay:PERsistence](#), [DISplay:VARpersist](#)

Examples DISPLAY: PERSISTENCE: RESET clears the display of persistence data.

DISplay:SCREEntext? (Query Only)

This query-only command returns all screen text settings.

Group Display Control

Syntax DISplay:SCREEntext?

Related Commands [DISplay:SCREEntext:STATE](#), [DISplay:SCREEntext:LABel<x>?](#), [DISplay:SCREEntext:LABel<x>:NAME](#), [DISplay:SCREEntext:LABel<x>:XPOS](#), [DISplay:SCREEntext:LABel<x>:YPOS](#)

Examples DISPLAY:SCREEntext? might reply: :DISPLAY:SCREEntext:STATE
0;LABel1:NAME "";XPOS 100;YPOS
5;:DISPLAY:SCREEntext:LABel2:NAME "";XPOS
100;YPOS 20;:DISPLAY:SCREEntext:LABel3:NAME "";;XPOS
100;YPOS 35;:DISPLAY:SCREEntext:LABel4:NAME "";XPOS 100;YPOS
50;:DISPLAY:SCREEntext:LABel5:NAME "";XPOS 100;YPOS
65;:DISPLAY:SCREEntext:LABel6:NAME "";XPOS 100;YPOS
80;:DISPLAY:SCREEntext:LABel7:NAME "";XPOS 100;YPOS
95;:DISPLAY:SCREEntext:LABel8:NAME "";XPOS 100;YPOS 110.

DISplay:SCREEntext:LABel<x>? (Query Only)

This query-only command returns the screen text setting for a given label. Specifically, it provides the name, horizontal position (XPOS), and vertical position (YPOS).

Group Display Control

Syntax DISplay:SCREEntext:LABel<x>?

Related Commands [DISplay:SCREEntext?](#), [DISplay:SCREEntext:STATE](#), [DISplay:SCREEntext:LABel<x>:NAME](#), [DISplay:SCREEntext:LABel<x>:XPOS](#), [DISplay:SCREEntext:LABel<x>:YPOS](#)

Examples DISPLAY:SCREEntext:LABel3? might return
:DISPLAY:SCREEntext:LABel3:NAME "THIS IS SCREEN
TEXT"; :XPOS 100; :YPOS 35, indicating that the name of Label 3 is THIS IS
SCREEN TEXT, and the label is position at 100 horizontally and at 35 vertically.

DISplay:SCREExt:LABel<x>:FONTCOLOR

This command sets or queries the screen text label font color. <x> is the label number, 1 through 8.

Group Display Control

Syntax DISplay:SCREExt:LABel<x>:FONTCOLOR <QString>
DISplay:SCREExt:LABel<x>:FONTCOLOR?

Arguments <QString> argument is the font color to be displayed for a given label.

Examples DISPLAY:SCREExt:LABel1:FONTCOLOR 0240120 sets the Label 1 font color to 0240120 with Hue of 0, Lightness of 240, and Saturation of 120.

DISPLAY:SCREExt:LABel3:FONTCOLOR? might return
:DISPLAY:SCREExt:LABel3:FONTCOLOR 16711680, indicating that the font color of the Label 1 is set to 16711680 with Hue of 167, Lightness of 116, and Saturation of 80.

DISplay:SCREExt:LABel<x>:FONTNAME

This command sets or queries the screen text label font name. <x> is the label number which ranges from 1 through 8.

Group Display Control

Syntax DISplay:SCREExt:LABel<x>:FONTNAME <QString>
DISplay:SCREExt:LABel<x>:FONTNAME?

Arguments <QString> argument is the font name to be displayed for a given label.

Examples DISPLAY:SCREExt:LABel1:FONTNAME ARIAL sets the Label 1 font name to Arial.

DISPLAY:SCREExt:LABel1:FONTNAME? might return
DISPLAY:SCREExt:LABel1:FONTNAME "Arial Narrow",
indicating that the Label 1 font name is set to Arial Narrow.

DISplay:SCREENText:LABel<x>:FONTSize

This command sets or queries the screen text label font size. <x> is the label number which ranges from 1 through 8.

Group Display Control

Syntax DISplay:SCREENText:LABel<x>:FONTSize <NR1>
DISplay:SCREENText:LABel<x>:FONTSize?

Arguments <NR1> is the font size to be displayed for a given label.

Examples DISPLAY:SCREENTEXT:LABEL1:FONTSIZE 11 sets the Label 1 font size to 11.
DISPLAY:SCREENTEXT:LABEL1:FONTSIZE? might return
DISPLAY:SCREENTEXT:LABEL1:FONTSIZE 9, indicating that the
Label 1 font size is set to 9.

DISplay:SCREENText:LABel<x>:FONTStyle

This command sets or queries the screen text label font style. <x> is the label number, 1 through 8.

Group Display Control

Syntax DISplay:SCREENText:LABel<x>:FONTStyle <QString>
DISplay:SCREENText:LABel<x>:FONTStyle?

Arguments <QString> argument is the font style to be displayed for a given label.

Examples DISPLAY:SCREENTEXT:LABEL1:FONTSTYLE BOLD sets the Label 1 font style to BOLD.
DISPLAY:SCREENTEXT:LABEL1:FONTSTYLE? might return
DISPLAY:SCREENTEXT:LABEL1:FONTSTYLE "Regular", indicating that the
Label 1 font style is Regular.

DISplay:SCREENText:LABel<x>:NAME

This command sets the text to be displayed for a given label. The label is specified by <x>. The value of <x> can range from 1 through 8.

Group	Display Control
Syntax	DISplay:SCREENText:LABel<x>:NAME <QString> DISplay:SCREENText:LABel<x>:NAME?
Related Commands	, DISplay:SCREENText:STATE, DISplay:SCREENText:LABel<x>:XPOS, DISplay:SCREENText:LABel<x>:YPOS
Arguments	<QString> argument is the text to be displayed for a given label.
Examples	DISPLAY:SCREENTEXT:LABEL2:NAME "THIS IS SCREEN TEXT" sets the screen text for Label 2 to THIS IS SCREEN TEXT. DISplay:SCREENText:LABEL2:NAME? might return :DISPLAY:SCREENTEXT:LABEL2:NAME "Mywaveform", indicating that the Label 2 screen text is set to MyWaveform.

DISplay:SCREENText:LABel<x>:STATE

This command sets the state to be displayed for a given label. <x> is the label number, 1 through 8.

Group	Display Control
Syntax	DISplay:SCREENText:LABel<x>:STATE {<NR1> OFF ON} DISplay:SCREENText:LABel<x>:STATE?
Arguments	OFF sets the screen text to not display. ON sets the screen text to display.
Examples	DISPLAY:SCREENTEXT:LABEL2:NAME ON sets the Label 2 screen text to display. DISplay:SCREENText:LABEL2:STATE? might return :DISPLAY:SCREENTEXT:LABEL2:STATE 1, indicating that the Label 2 screen text display is ON.

DISplay:SCREENText:LABel<x>:XPOS

This command sets the horizontal position of a given screen text label. The label is specified by x. The value of x can range from 1 through 8.

Group Display Control

Syntax DISplay:SCREENText:LABel<x>:XPOS <NR1>

Related Commands [DISplay:SCREENText:STATE](#), [DISplay:SCREENText:LABel<x>:NAME](#), [DISplay:SCREENText:LABel<x>:YPOS](#)

Arguments <NR1> sets the horizontal position of the screen text label. The value can range from 0 to 500.

Examples DISPLAY:SCREENTEXT:LABEL3:XPOS 100 sets the horizontal position of Label 3 to 100.

DISPLAY:SCREENTEXT:LABEL3:XPOS? might return
:DISPLAY:SCREENTEXT:LABEL3:XPOS 250, indicating that the screen Label 3 is horizontally positioned to 250.

DISplay:SCREENText:LABel<x>:YPOS

This command sets the vertical position of a given label. The label is specified by x. The value of x can range from 1 through 8.

Group Display Control

Syntax DISplay:SCREENText:LABel<x>:YPOS <NR1>

Related Commands [DISplay:SCREENText:STATE](#), [DISplay:SCREENText:LABel<x>:NAME](#), [DISplay:SCREENText:LABel<x>:XPOS](#)

Arguments <NR1> sets the vertical position of the screen text label. The value can range from 0 to 385.

Examples DISPLAY:SCREENTEXT:LABEL3:YPOS 100 sets the vertical position of Label 3 to 100.

DISPLAY:SCREENTEXT:LABEL3:YPOS? might return
:DISPLAY:SCREENTEXT:LABEL3:YPOS 192, indicating that screen Label 3 is
vertically positioned to 192.

DISplay:SCREExt:STATE

This command controls the display of screen text.

Group Display Control

Syntax DISplay:SCREExt:STATE {ON|OFF|<NR1>}

Related Commands [DISplay:SCREExt?](#), [DISplay:SCREExt:LABel<x>?](#), [DISplay:SCREExt:LABel<x>:NAME](#), [DISplay:SCREExt:LABel<x>:XPOS](#), [DISplay:SCREExt:LABel<x>:YPOS](#)

Arguments ON turns on the display of screen text.
OFF turns off the display of screen text.
<NR1> = 0 disables screen text; any other value enables screen text.

Examples DISPLAY:SCREENTEXT:STATE ON turns the screen text display on.
DISPLAY:SCREENTEXT:STATE? might return :DISPLAY:SCREENTEXT:STATE
1, indicating that the screen text is displayed.

DISplay:SHOWREmote

This command sets or queries the state of the remote display feature and is equivalent to selecting Display Remote from the Display menu. The query form of this command returns ON (1) or OFF (0).

This feature allows you to view waveforms and other graticule data on a remote display using remote control software like VNC (Virtual Network Computing) or Symantec pcAnywhere.

Group Display Control

Syntax DISplay:SHOWREmote {ON|OFF|NR1}
DISplay:SHOWREmote?

- Arguments** ON enables the remote display of waveform and other graticule data.
OFF disables the remote display of waveform and other graticule data.
NR1 = 0 disables remote display of waveform and other graticule data; any other value enables remote display of waveform and other graticule data.
- Examples** DISPLAY:SHOWREMOTE ON enables remote display of waveform and other graticule data.
DISPLAY:SHOWREMOTE? might return :DISPLAY:SHOWREMOTE 1, indicating that the remote display of waveform and other graticule data is currently enabled.

DISplay:STyle

This command sets or queries how the data is displayed for normal and FastAcq modes. This command is equivalent to selecting Display Style from the Display menu and choosing a style.

- Group** Display Control
- Syntax** DISplay:STyle {VECTors|DOTs|INTENSIFied}
DISplay:STyle?
- Arguments** VECTors connects adjacent data points. New points immediately replace old ones.
DOTs displays individual data points. New points immediately replace old ones.
INTENSIFied causes the display to show interpolated samples with dark spaces (Only the “real” samples are displayed).
When FastAcq mode is enabled, intensified samples display as dots. However, turning off FastAcq mode causes the display style to snap back to its previous setting.
- Examples** DISPLAY:STYLE VECTORS sets the display to connect adjacent data points.
DISPLAY:STYLE ? might return :DISPLAY:STYLE INTENSIFIED, indicating that interpolated samples are not displayed.

DISplay:TRIGBar

This command controls or queries the display of the trigger-level indicator bars. Indicator bars show where the trigger voltage level is set.

The instrument will only display the bar if the associated trigger source is also displayed. If both a main and a delayed trigger are displayed, then two bars will appear. One will accompany each source. If a logic trigger is selected, then multiple bars may appear. One will show the upper threshold and one will show the lower threshold. This command is equivalent to selecting Display Setup from the Display menu and then choosing the Objects tab.

Group	Display Control
Syntax	DISP <code>l</code> ay:TRIGBar {OFF SHORT LONG} DISP <code>l</code> ay:TRIGBar?
Arguments	<p>OFF removes the trigger indicator bar from the display.</p> <p>SHORT displays, as the indicator, a short arrow at the right side of the graticule for each displayed trigger signal.</p> <p>LONG displays, as the indicator, a horizontal line across the width of the graticule for each displayed trigger signal.</p>
Examples	<p>DISPLAY:TRIGBAR LONG sets the display to show a long trigger indicator bar (or bars).</p> <p>DISPLAY:TRIGBAR? might return :DISPLAY:TRIGBAR OFF, indicating that the indicator bar is removed from the display.</p>

DISP`l`ay:TRIGT

This command controls or queries the display of the trigger T. The trigger T shows where the trigger occurred on the waveform.

Group	Display Control
Syntax	DISP <code>l</code> ay:TRIGT {<NR1> OFF ON} DISP <code>l</code> ay:TRIGT?
Arguments	<p>OFF removes the trigger indicator T from the display.</p> <p>ON displays a T at the trigger point.</p> <p><NR1> = 0 disables the trigger T; any other value displays the trigger T.</p>

Examples `DISPLAY:TRIGT OFF` disables the trigger T.
`DISPLAY:TRIGT ?` might return `:TRIGT 1` indicating that the trigger T is displayed.

DISplay:VARpersist

This command sets or queries persistence decay time, which is the approximate decay time for a freshly struck persistence sample. This command is equivalent to selecting Display Setup from the Display menu, selecting the Appearance tab, and then entering the desired Persist Time.

Group Display Control

Syntax `DISplay:VARpersist <NR3>`
`DISplay:VARpersist?`

Related Commands [DISplay:PERStistence](#)

Arguments `<NR3>` indicates the persistence decay time setting in numeric seconds. The persistence time ranges from 50 ms to 100 s.

Examples `DISPLAY:VARPERSIST 5E-1` sets the persistence decay time to 500 ms.
`DISPLAY:VARPERSIST?` might return `:DISPLAY:VARPERSIST 5.0000E-01`, indicating that persistence decay time is currently set to 500 ms.

DISplay:WAVEform

This command controls or queries the display of acquisition and reference waveforms.

Group Display Control

Syntax `DISplay:WAVEform {<NR1>|OFF|ON}`
`DISplay:WAVEform?`

Arguments `OFF` removes the waveforms from the display.
`ON` displays waveforms on the display.

<NR1> = 0 removes waveforms from the display; any other value displays the waveforms.

Examples `DISPLAY:WAVEFORM OFF` removes waveforms from the display.
`DISPLAY:WAVEFORM?` might return `:WAVEFORM 1`, indicating that waveforms are displayed.

E-Mail (No Query Form)

This command (no query form) sends a test e-mail message or sets the current e-mail sent count to zero.

Group E-mail

Syntax `EMail {TEST|RESET}`

Arguments `TEST` argument sends a test e-mail message.
`RESET` argument sets the e-mail sent count to zero.

Examples `EMAIL TEST`
This command sends a test e-mail.
`EMAIL RESET` resets the sent mail count to zero.

E-Mail:ATtempts

This command sets or queries the number of times that an attempt will be made to send e-mail to the SMTP e-mail server. The default is 1.

Group E-mail

Syntax `EMail:ATtempts <NR1>`
`EMail:ATtempts?`

Arguments `NR1` can be 1 through 20. This number is the specified number of attempts that will be made to send e-mail to the SMTP server.

Examples `EMAIL:ATTEMPTS 15` specifies that 15 attempts will be made to send the e-mail to the SMTP e-mail server.

`EMAIL:ATTEMPTS?` might return `:EMAIL:ATTEMPTS 10`, indicating that 10 attempts will be made to send the e-mail to the SMTP e-mail server.

EMail:AUTHLogin

This command sets or queries the login name that will be used if the SMTP e-mail server requires one for authentication.

Group E-mail

Syntax `EMail:AUTHLogin {<QString>}`
`EMail:AUTHLogin?`

Arguments `<QString>` argument is a string that specifies the login name to be used with the SMTP e-mail server.

Examples `EMAIL:AUTHLOGIN kentb` specifies that kentb will be used as the login name with the SMTP e-mail server.

`EMAIL:AUTHLOGIN?` might return `:EMAIL:AUTHLOGIN "bobk"`, indicating that bobk will be used as the login name used with the SMTP e-mail server.

EMail:AUTHPassword (No Query Form)

This command (no query form) sets the password that will be used if the SMTP e-mail server requires one for authentication.

Group E-mail

Syntax `EMail:AUTHPassword {<QString>}`

Arguments `<QString>` argument is a string that specifies the password to be used with the SMTP e-mail server.

Examples `EMAIL:AUTHPASSWORD "123xyz"` specifies that 123xyz will be used as the password with the SMTP e-mail server.

EMail:COUNT? (Query Only)

This query only command returns the number of e-mails that have been sent since Email on Event was armed. The range of values returned can be from 0 to 50.

Group E-mail

Syntax EMAIL:COUNT?

Examples EMAIL:COUNT? might return :EMAIL:COUNT 15, indicating that 15 e-mails have been sent since e-mail on event was armed.

EMail:FROM

This command sets or queries the From line in the e-mail. The default for the From line is the instrument model and serial number.

Group E-mail

Syntax EMAIL:FROM {<QString>}
EMAIL:FROM?

Arguments <QString> argument is a string that is placed in the From line of the e-mail. An example is "johnz".

Examples EMAIL:FROM "kentb" specifies that kentb will be placed in the From line of the e-mail.

EMAIL:FROM? might return :EMAIL:FROM "BOBK", indicating that bobk will appear in the From line of the e-mail.

EMail:HOSTwanted

This command sets or queries the host name that will be used when e-mail is sent to the SMTP e-mail server if the DPO host name will not work.

Group E-mail

Syntax EMail:HOSTwanted {<QString>}
 EMail:HOSTwanted?

Arguments <QString> argument is a string that specifies the host name to be used with the SMTP e-mail server if the default DPO host name will not work.

Examples EMAIL:HOSTWANTED "LazyEight" specifies that LazyEight will be used as the host name when sending e-mail to the SMTP e-mail server.

EMAIL:HOSTWANTED? might return :EMAIL:HOSTWANTED "LazyEight", indicating that LazyEight is the host name used with the SMTP e-mail server.

EMail:IMAGE

This command sets or queries whether a screen image is included in e-mail. If this command is set to ON, the format and content of the screen image included is specified using the EXPORT commands within the Hard Copy Command group.

Group E-mail

Syntax EMail:IMAGe {ON|OFF|NR1}
 EMail:IMAGe?

Related Commands [EXPort](#)

Arguments ON argument enables the inclusion of a screen image in e-mail.

OFF argument disables the inclusion of a screen image in e-mail.

<NR1> = 0 disables the inclusion of a screen image in e-mail; any other value enables the inclusion of a screen image in e-mail.

Examples EMAIL:IMAGe 1 enables the inclusion of a screen image in e-mail.

EMAIL:IMAGe? might return :EMAIL:IMAGe 0 indicating that a screen image is not included in the e-mail.

EMail:MASK

This command sets or queries whether e-mail is sent when a mask test failure occurs.

Group	E-mail
Syntax	EMail:MASK {ON OFF <NR1>} EMail:MASK?
Arguments	ON argument enables sending e-mail when a mask test failure occurs. OFF disables sending e-mail when a mask test failure occurs. <NR1> = 0 disables sending e-mail when a mask test failure occurs; any other value enables sending e-mail when a mask test failure occurs.
Examples	EMAIL:MASK 1 enables sending e-mail when a mask test failure occurs. EMAIL:MASK? might return :EMAIL:MASK 0, indicating that e-mail will not be sent when a mask test failure occurs.

EMail:MAXSize

This command sets or queries the maximum size (in megabytes) of e-mail that can be sent to the SMTP server.

Group	E-mail
Syntax	EMail:MAXSize {<NR1>} EMail:MAXSize?
Arguments	<NR1> can be 0 through 2000 (megabytes). This is the maximum size of each e-mail that can be sent to the SMTP server.
Examples	EMAIL:MAXSIZE 5 sets the maximum size of each e-mail enclosure to 5 megabytes of data. EMAIL:MAXSIZE? might return :EMAIL:MAXSIZE 10, indicating that each e-mail sent to the SMTP server can contain up to 10 megabytes of data.

EMail:MEASUrement

This command sets or queries whether measurement data is included as an attachment to e-mail. You must specify the saved measurement selection and the measurement format using the Email on Event setup menu. There are no remote commands for this purpose.

Group	E-mail
Syntax	EMail:MEASUREMENT {ON OFF <NR1>} EMail:MEASUREMENT?
Arguments	ON enables the inclusion of measurement data in e-mail. OFF disables the inclusion of measurement data in e-mail. <NR1> = 0 disables the inclusion of measurement data in the e-mail; any other value enables including measurement data in the e-mail.
Examples	EMAIL:MEASUREMENT 1 enables the inclusion of measurement data in e-mail. EMAIL:MEASUREMENT? might return :EMAIL:MEASUREMENT 0, indicating that measurement data is not included in the e-mail.

EMail:NUMEMails

This command sets or queries the number of e-mails you can send when Email on Event is armed, from 1 to 50. This limit is to restrict e-mail floods.

Group	E-mail
Syntax	EMail:NUMEMails {<NR1>} EMail:NUMEMails?
Related Commands	EMail
Arguments	<NR1> can be 1 through 50. This is the number of e-mails you can send before the number of sent e-mails must be reset with the EMail RESet command.
Examples	EMAIL:NUMEMAILS 10 sets the number of e-mails that can be sent to 10. EMAIL:NUMEMAILS? might return :EMAIL:NUMEMAILS 5, indicating that five e-mails can be sent.

EMail:SMTPPort

This command sets or queries the SMTP port number that the e-mail server uses if other than the default of 25.

Group	E-mail
Syntax	EMail:SMTPPort {<NR1>} EMail:SMTPPort?
Arguments	<NR1> can be 1 through 65535. This number specifies the TCPIP port number.
Examples	EMAIL:SMTPPORT55 specifies that the SMTP e-mail server will communicate on TCPIP port 55. EMAIL:SMTPPORT? might return :EMAIL:SMTPPORT 10, indicating that TCPIP port 10 will be used to communicate with the SMTP e-mail server.

EMail:SMTPServer

This command sets or queries the address of the SMTP mail server.

Group	E-mail
Syntax	EMail:SMTPServer <string> EMail:SMTPServer?
Arguments	<string> argument is the address of the SMTP mail server that will handle the mail service request. For example, "smtp.tek.com".
Examples	EMAIL:SMTPSERVER "smtp.tek.com" sets the SMTP mail server to smtp.tek.com. This will be the mail server used for mail service requests. EMAIL:SMTPSERVER? might return :EMAIL:SMTPSERVER "SMTP.TEK.COM", indicating that the SMTP mail sever is set to SMTP.tek.com.

EMail:STATUS? (Query Only)

This query only command returns the status of the last e-mail you attempted to send.

Group	E-mail
Syntax	EMail:STATUS?

- Returns** The status might be one of the following strings:
- PASS - indicates that the last e-mail message sent was successful or that no email message was attempted.
 - FAIL - indicates that the last e-mail message attempted was not sent.
 - SEND - indicates that an e-mail message is currently being sent.
 - HOST_FAIL - indicates that the instrument failed to connect to the SMTP server.
 - CONNECTION_FAIL - indicates that the SMTP server refused the connection.

Examples EMAIL:STATUS? might return :EMAIL:STATUS FAIL, indicating that the e-mail failed to be sent.

EMail:TIMEOut

This command sets or queries the global timeout in seconds. The default is 30 seconds. You use this timeout for socket connections and may need to change it from the default on some networks.

Group E-mail

Syntax EMail:TIMEOut <NR1>
EMail:TIMEOut?

Arguments <NR1> argument is the global timeout in seconds. The value for NR1 can be 0 through 500.

Examples EMAIL:TIMEOUT 60 that 60 seconds will be used for network connection timeouts.

EMAIL:TIMEOUT? might return :EMAIL:TIMEOUT 30, indicating that the default of 30 seconds is set for network connection timeouts.

EMail:TO

This command sets or queries the address of the recipient(s) of an e-mail.

Group E-mail

Syntax	EMail:TO <string> EMail:TO?
Arguments	<string> argument is the e-mail address of the recipient (or recipients). Multiple addresses are separated with semicolons (;). For example, "johndoe@tek.com;billsmith@tek.com" specifies that both johndoe and billsmith at tek.com will receive e-mail when the event occurs. The length of this string is limited to 252 characters.
Examples	EMAIL:TO "johndoe@tek.com" will send e-mail to johndoe@tek.com when the event occurs. EMAIL:TO? might return :EMAIL:TO "billsmill@tek.com", indicating that the billsmith@tek.com will receive e-mail when the event occurs.

EMail:TRIGger

This command sets or queries whether e-mail is sent when a trigger occurs. The e-mail is sent after the acquisition is complete.

Group	E-mail
Syntax	EMail:TRIGger {ON OFF <NR1>} EMail:TRIGger?
Arguments	ON argument enables sending e-mail when a trigger occurs. OFF disables sending e-mail when a trigger occurs. <NR1> = 0 disables sending e-mail when a trigger occurs; any other value enables sending e-mail when a trigger occurs.
Examples	EMAIL:TRIGGER 1 enables sending e-mail when a trigger occurs. EMAIL:TRIGGER? might return :EMAIL:TRIGGER 0, indicating that e-mail will not be sent when a trigger occurs.

EMail:WAVEform

This command sets or queries whether waveform data is included in e-mail. The waveforms to be included, the start and stop points (and, or, frames for Fast Frame mode), and the data formats are specified by the [DATA](#) and [WFMOutpre?](#) commands within the Waveform Transfer Command group.

Group E-mail

Syntax EMAIL:WAVEFORM {ON|OFF|<NR1>}
EMAIL:WAVEFORM?

Arguments ON enables the inclusion of waveform data in e-mail.
OFF disables the inclusion of waveform data in e-mail.
<NR1> = 0 disables the inclusion of waveform data in the e-mail; any other value enables including waveform data in the e-mail.

Examples EMAIL:WAVEFORM 1 enables the inclusion of waveform data in e-mail.
EMAIL:WAVEFORM? might return :EMAIL:WAVEFORM 0, indicating that waveform data is not included in the e-mail.

*ESE

This command sets and queries the bits in the Event Status Enable Register (ESER). The ESER prevents events from being reported to the Status Byte Register (STB). For a more detailed discussion of the use of these registers, see Registers.

Group Status and Error

Syntax *ESE <NR1>
*ESE?

Related Commands [*CLS](#), [DESE](#), [*ESR?](#), [EVENT?](#), [EVMsg?](#), [*SRE](#), [*STB?](#)

Arguments <NR1> specifies the binary bits of the ESER according to this value, which ranges from 0 through 255.

The power-on default for the ESER is 0 if *PSC is 1. If *PSC is 0, the ESER maintains the previous power cycle value through the current power cycle.

NOTE. *Setting the DESER and the ESER to the same values allows only those codes to be entered into the Event Queue and summarized on the ESB bit (bit 5) of the Status Byte Register. Use the DESE command to set the DESER.*

Examples *ESE 209 sets the ESER to binary 11010001, which enables the PON, URQ, EXE, and OPC bits.

*ESE? might return 186, showing that the ESER contains the binary value 10111010.

*ESR? (Query Only)

This query-only command returns the contents of the Standard Event Status Register (SESR). *ESR? also clears the SESR (since reading the SESR clears it). For a more detailed discussion of the use of these registers, see Registers.

Group Status and Error

Syntax *ESR?

Related Commands [ALLEv?](#), [*CLS](#), [DESE](#), [*ESE](#), [EVENT?](#), [EVMsg?](#), [*SRE](#), [*STB?](#)

Examples *ESR? might return 213, showing that the SESR contains the binary value 11010101.

EVENT? (Query Only)

This query-only command returns an event code from the Event Queue that provides information about the results of the last [*ESR?](#) read. EVENT? also removes the returned value from the Event Queue.

Group Status and Error

Syntax EVENT?

Related Commands [ALLEv?](#), [*CLS](#), [DESE](#), [*ESE](#), [*ESR?](#), [EVMsg?](#), [*SRE](#), [*STB?](#)

Examples EVENT? might return :EVENT 110, showing that there was an error in a command header.

EVMsg? (Query Only)

This query-only command removes a single event code from the Event Queue that is associated with the results of the last ***ESR?** read and returns the event code along with an explanatory message. For more information, see Event Handling.

Group Status and Error

Syntax EVMsg?

Related Commands [ALLEv?](#)

[*CLS](#), [DESE](#), [*ESE](#), [*ESR?](#), [EVENT?](#), [*SRE](#), [*STB?](#)

Returns The event code and message in the following format:

```
<Event Code><Comma><QString>[<Event Code><Comma><QString>...]<QString>::= <Message>;[<Command>]
```

where <Command> is the command that caused the error and may be returned when a command error is detected by the instrument. As much of the command will be returned as possible without exceeding the 60 character limit of the <Message> and <Command> string combined. The command string is right-justified.

Examples EVMMSG? might return :EVMMSG 110,"Command header error".

EVQty? (Query Only)

This query-only command returns the number of event codes that are in the Event Queue. This is useful when using the [ALLEv?](#) query, since it lets you know exactly how many events will be returned.

Group Status and Error

Syntax EVQty?

Related Commands [ALLEv?](#), [EVENT?](#), [EVMsg?](#)

Examples EVQTY? might return :EVQTY 3, indicating the number of event codes in the Event Queue.

EXPort

This command sends a copy of the waveform to the file path specified by [EXPort:FILENAME](#). The EXPort query returns image format and file information.

Group	Hard Copy
Syntax	EXPort START EXPort?
Arguments	START initiates the export.
Examples	EXPORT START initiates export to the file specified file by EXPort:FILENAME. EXPORT? returns the export formatting and file path. The query might return :EXPORT:FILENAME "untitled"; FORMAT BMP;IMAGE NORMAL; PALETTE COLOR;VIEW FULLSCREEN "C:\TekScope\Images\hcFILE.BMP".

EXPort:FILENAME

This command sets or returns the file/path that will be sent export data on the next [EXPort](#) command.

Group	Hard Copy
Syntax	EXPort:FILENAME <file path> EXPort:FILENAME?
Related Commands	HARDCopy
Arguments	<file path> specifies that the hard copy is sent to the named file. <file path> is a quoted string that defines the file name and path. Input the file path using the form <drive>:<dir>/<filename>.<drive> and one or more <dir>s are optional. The file path cannot exceed 128 characters. If you don't specify the path with <drive>: and one or more <dir>s, the default location is "C:\TekScope\Images". While filename extensions are not required, they are highly recommended.
Examples	EXPORT:FILENAME "TEK.BMP" sets TEK.BMP as the selected file name. The next export will be sent to this file in the default hard copy directory.

EXPORT:FILENAME? might return :EXPORT:FILENAME
"C:\TekScope\Images\TEK.BMP" as the selected file.

EXPort:FORMat

This command sets or returns the image format for exporting waveforms to a file.

Group Hard Copy

Syntax EXPort:FORMat {BMP|JPEG|PNG|PCX|TIFF}
EXPort:FORMat?

Arguments BMP specifies BMP image format.
JPEG specifies JPEG image format.
PNG specifies PNG image format.
PCX specifies PCX image format.
TIFF specifies TIFF image format.

Examples EXPORT:FORMAT BMP sets the export format to BMP.
EXPORT:FORMAT? might return :EXPORT:FORMAT JPEG, indicating that waveforms will be exported in the JPEG format.

EXPort:PALEtte

This command sets or returns the export color palette.

Group Hard Copy

Syntax EXPort:PALEtte {COLOR|INKSaver|BLACKANDwhite}
EXPort:PALEtte?

Arguments COLOR Hardcopy output is color.
INKSaver Hardcopy output saves ink.
BLACKANDwhite Hardcopy output is black and white.

Examples EXPORT:PALETTE sets the export color palette to Color.
 EXPORT:PALETTE? might return :EXPORT PALETTE COLOR indicating the hard copy output will be in color.

EXPort:READOuts

This command sets or queries the area on the screen where the readout appear for export. This command is equivalent to selecting Export Setup from the File menu and setting the Readouts Below Graticule in the control window.

Group Hard Copy

Syntax EXPort:READOuts {OFFGRaticule|ONGRaticule}
 EXPort:READOuts?

Arguments OFFGRATICULE places the readouts off the graticule area.
 ONGRATICULE places the readouts on the graticule area for export.

Examples EXPORT:READOUTS OFFGRATICULE places the readouts off the graticule area.
 EXPORT:READOUTS? might return :EXPORT READOUTS ONGRATICULE, indicating the readout on the graticule area for export.

EXPort:VIEW

This command sets or returns the area of the screen to be exported.

Group Hard Copy

Syntax EXPort:VIEW {FULLSCREEN|GRaticule|FULLNOMenu}
 EXPort:VIEW?

Arguments FULLSCREEN displays both the graticule and menu areas of the screen.
 GRaticule displays only the graticule area of the screen.
 FULLNOMenu displays the full screen but hides any menus or toolbars.

Examples `EXPORT:VIEW FULLSCREEN` sets the exported view area to Full Screen.
`EXPORT:VIEW?` might return `:EXPORT:VIEW GRATICULE`, indicating that only the graticule area of the screen will be exported.

FACTory (No Query Form)

This command (no query form) resets the instrument to its factory default settings.

This command is equivalent to pressing the DEFAULT SETUP button located on the instrument front panel or selecting Recall Default Setup from the File menu.

This command resets the instrument settings to factory defaults:

- Clears the Event Status Enable Register.
- Clears the Service Request Enable Register.
- Sets the Device Event Status Enable Register to 255.
- Sets the Power On Status Clear Flag to TRUE.
- Purges all defined aliases.
- Sets the macro defined by *DDT to a “zero-length field”.
- Clears the pending operation flag and associated operations.

This command does not reset the following:

- The state of the GPIB (IEEE Std 488.1-1987) interface.
- The selected GPIB address.
- Calibration data that affects device specifications.
- Protected user data.
- Stored settings.
- The current password (if you set one).

Group Save and Recall

Syntax `FACTory`

Related Commands `*PSC`, `*RCL`, `RECALL:SETUp`, `*RST`, `*SAV`, `SAVe:SETUp`

Arguments None

Examples `FACTORY` resets the instrument to its factory default settings.

FASTAcq? (Query Only)

This query-only command returns the state of Fast Acquisitions. This command is equivalent to pressing the FASTACQ button on the front panel.

Group Acquisition

Syntax `FASTAcq?`

Examples `FASTAcq?` might return the following string for the current acquisition parameters:
`:FASTAcq:STATE 0.`

FASTAcq:HIACQRATE

This command sets or queries the state of FastAcq optimization for capturing the details with a higher sample rate.

Group Acquisition

Syntax `FASTAcq:HIACQRATE {<NR1> | OFF | ON}`
`FASTAcq:HIACQRATE?`

Arguments `ON` sets FastAcq optimization for capturing rare events with more acquisitions.
`OFF` sets FastAcq optimization for capturing details with a higher sample rate.
`<NR1> = 0` sets FastAcq optimization for capturing details with a higher sample rate; any other value sets FastAcq optimization for capturing rare events with more acquisitions.

Examples `FASTAcq:HIACQRATE ON` sets optimizes FastAcq for capturing rare events with more acquisitions.

`FASTAcq:HIACQRATE?` might return `:FASTAcq:HIACQRATE 0`, indicating that the FastAcq is optimized for capturing details with a higher sample rate.

FASTAcq:STATE

This command sets or queries the state of Fast Acquisitions. This command is equivalent to the FASTACQ button on the front panel.

Group	Acquisition
Syntax	FASTAcq:STATE {ON OFF <NR1>} FASTAcq:STATE?
Arguments	ON enables Fast Acquisitions mode. OFF disables Fast Acquisitions mode. <NR1> = 0 disables Fast Acquisitions mode; any other value enables Fast Acquisitions mode.
Examples	FASTAcq:STATE ON enables the Fast Acquisitions mode. FASTAcq:STATE? might return :FASTAcq:STATE 1, indicating that Fast Acquisitions mode is currently active.

FILESystem? (Query Only)

This query-only command returns the directory listing of the current working directory. This query is the same as the FILESystem:DIR? query.

Group	File System
Syntax	FILESystem?
Related Commands	FILESystem:COPy , FILESystem:CWD , FILESystem:DELEte , FILESystem:DIR? , FILESystem:PRInt , FILESystem:READFile , FILESystem:REName , FILESystem:WRITEFile
Arguments	None.
Examples	FILESYSTEM? might return :FILESYSTEM:DIR, ".","..","myFile.txt","myWaveform.wfm".

FILESystem:COpy (No Query Form)

This command (no query form) copies a named file to a new file. The new file may be in a totally separate directory than the old file. You can only copy one file at a time using this command. Wild card characters are not allowed.

Group File System

Syntax FILESystem:COpy {<source file path>,<destination file path>}

Related Commands [FILESystem:CWD](#), [FILESystem:DELEte](#)

Arguments <file path> is a quoted string that defines the file name and path. If the file path is within the current working directory, you need only specify the file name.

Examples FILESYSTEM:COpy "C:\MYDIR\TEK00001.SET",
"C:\ANOTHERDIR\COPYOFTEK001.SET" copies the file named
TEK00001.SET, located in the MYDIR directory on the C drive to a file named
COPYOFTEK001.SET in the ANOTHERDIR directory on the C drive.

FILESystem:CWD

This command sets or queries the current working directory for FILESystem GPIB commands. The default working directory is "C:\TekScope". Anytime that you use this command to change the directory, the directory that you specify is retained as the current working directory until you either change the directory or you delete the directory. If you delete the current working directory, the instrument resets current working directory to the default directory (C:\TekScope) the next time the instrument is powered on or the next time you execute a file system command. The current working directory is retained between power cycles.

This command supports the permutations of file and directory names that are supported by Microsoft Windows:

- Relative path names; for example, ".\Temp"
- Absolute path names; for example, "C:\Windows\System"
- Implied relative path names; for example "newfile.txt" becomes "C:\TekScope\newfile.txt" if the current working directory is "C:\TekScope"

Group File System

Syntax FILESystem:CWD {<new working directory path>}

Arguments <new working directory path> is a quoted string that defines the current working; a directory name can be up to 128 characters.

Examples FILESYSTEM:CWD "C:\TekScope\images" sets the current working directory to images.

FILESYSTEM:CWD? might return :FILESYSTEM:CWD
"C:\TekScope\waveforms", indicating that the current working directory is set to Waveforms.

FILESystem:DELEte (No Query Form)

This command (no query form) deletes a named file. It does not delete directories. Use the [FILESystem:RMDir](#) command to delete a directory.

Group File System

Syntax FILESystem:DELEte <file path>

Related Commands [FILESystem:COPy](#), [FILESystem:CWD](#), [FILESystem:RMDir](#)

Arguments <file path> is a quoted string that defines the file name and path. If the file path is within the current working directory, you need only specify the file name.

Examples FILESYSTEM:DELETE "NOT_MINE.SET" deletes the file named NOT_MINE.SET from the current working directory.

FILESystem:DIR? (Query Only)

This query-only command returns a comma separated list of quoted strings. Each string contains the name of a file or directory in the current working directory.

Group File System

Syntax FILESystem:DIR?

Related Commands [FILESystem:CWD](#), [FILESystem:MKDir](#)

Arguments None

Examples FILESYSTEM:DIR? returns a list of files and directories in the current working directory.

FILESystem:MKDir (No Query Form)

This command (no query form) creates a new directory.

Group File System

Syntax FILESystem:MKDir <directory path>

Related Commands [FILESystem:CWD](#), [FILESystem:DIR?](#)

Arguments <directory path> is a quoted string that specifies the directory to create.

Examples FILESYSTEM:MKDIR "C:\NewDirectory" creates the directory named *NewDirectory* at the root of the C drive.

These two commands create the directory MyNewSubDirectory within the existing directory MyDirectory at the root of the C drive:

```
FILESYSTEM:CWD "C:\MyDirectory"; FILESYSTEM:MKDIR  
"MyNewSubDirectory"
```

This, of course, assumes that *C:\MyDirectory* already existed and was not a read-only directory.

FILESystem:PRInt (No Query Form)

This command (no query form) prints a named file to a named port. This command is the same as the [FILESystem:READFile](#) command.

This command is not IEEE 488.2 compliant for the following reasons:

- The command produces output on the 488.2 bus. Queries, not commands, are the only message units that should produce output on the 488.2 bus. Errors may not be recognized if they occur while data is being output in response to this command. This will be evident if a command is sent to the instrument before all of the data generated by this command has been read. In such cases, you should send a device clear message to the instrument.
- The command does not use a standard 488.2 output format. The closest defined format is the indefinite format of ARBITRARY BLOCK PROGRAM DATA encoding. However, this command output omits the initial '#0' characters needed for that format.
- Newlines, ASCII value 10, can be included in the output data. Output on the bus can be terminated by newlines. The output of this command is only terminated by <EOI>.

Group File System

Syntax FILESystem:PRInt <filepath>, GPIb

Related Commands [FILESystem:CWD](#), [FILESystem:READFile](#)

Arguments <file path> is a quoted string that defines the file name and path. If the file path is within the current working directory, you need only specify the file name. GPIb specifies that the hard copy is sent out of the GPIB port. GPIb is the only port allowed for this command.

Examples FILESYSTEM:PRINT "C:\TEK00000.IBM", GPIB sends the file named TEK00000.IBM out of the GPIB port.

FILESystem:READFile (No Query Form)

This command (no query form) prints a named file to a named port. It is identical to the [FILESystem:PRInt](#) command.

This command is not IEEE 488.2 compliant for the following reasons:

- The command produces output on the 488.2 bus. Queries, not commands, are the only message units that should produce output on the 488.2 bus. Errors may not be recognized if they occur while data is being output in response to this command. This will be evident if a command is sent to the instrument before all of the data generated by this command has been read. In such cases, you should send a device clear message to the instrument.
- The command does not use a standard 488.2 output format. The closest defined format is the indefinite format of ARBITRARY BLOCK PROGRAM DATA encoding. However, this command output omits the initial '#0' characters needed for that format.
- Newlines, ASCII value 10, can be included in the output data. Output on the bus can be terminated by newlines. The output of this command is only terminated by <EOI>.

Group File System

Syntax FILESystem:READFile <filepath>

Related Commands [FILESystem:CWD](#), [FILESystem:PRInt](#)

Arguments <file path> is a quoted string that defines the file name and path. If the file path is within the current working directory, you need only specify the file name.

Examples FILESYSTEM:READFILE "C:\TEK00000.IBM" sends the file named TEK00000.IBM out of the GPIB port.

FILESystem:REName (No Query Form)

This command (no query form) assigns a new name to an existing file.

Group File System

Syntax FILESystem:REName <old file path>,<new file path>

Related Commands [FILESystem:CWD](#)

Arguments <old file path> is a quoted string that defines the file name and path. If the file path is within the current working directory, you need only specify the file name.

<new file path> is a quoted string that defines the file name and path. If the file path is within the current working directory, you need only specify the file name.

Examples FILESYSTEM:RENAME "C:\TEK00000.SET", "C:\MYSETTING.SET" gives the file named TEK00000.SET the new name of MYSETTING.SET. The file remains in the root directory on the C drive.

FILESystem:RMDir (No Query Form)

This command (no query form) deletes a named directory. The directory cannot contain any files. If there are files in the directory, they must first be deleted. The directory must not be a read-only directory.

Group File System

Syntax FILESystem:RMDir <directory path>

Related Commands [FILESystem:CWD](#)

Arguments <directory path> is a quoted string that defines the file name and path. If the file path is within the current working directory, you need only specify the file name.

Examples FILESYSTEM:RMDIR "C:\OldDirectory" removes the directory named OldDirectory from the root of the C drive.

FILESystem:WRITEFile (No Query Form)

This command (no query form) copies the block data from the GPIB port to a named file.

Group File System

Syntax FILESystem:WRITEFile <file path>, <data>

Related Commands [FILESystem:CWD](#)

Arguments <file path> is a quoted string that defines the file name and path. If the file path is within the current working directory, you need only specify the file name.

<data> can be either DEFINITE LENGTH or INDEFINITE LENGTH ARBITRARY BLOCK PROGRAM DATA encoding as described in IEEE 488.2.

Examples FILESYSTEM:WRITEFILE "C:\SomeNewFile.txt",#221 1.23 2.54 8.22 -1.22<EOI> creates a file named "SomeNewFile.txt" on the root of the C drive, containing the string of 21 characters " 1.23 2.54 8.22 -1.22". This is an example of using the definite length arbitrary block.

FILESYSTEM:WRITEFILE "C:\SomeNewFile.txt",#0 This is a test<NL+EOI> creates a file named "SomeNewFile.txt" on the root of the C drive, containing the string "This is a test." This is an example of using the indefinite length arbitrary block. The newline character (0x0a) is required.

FILESYSTEM:WRITEFILE "C:\SomeNewFile.txt",#221 1.23 2.54 8.22 -1.22<NL+EOI> creates a file named "SomeNewFile.txt" on the root of the C drive, containing the string of 21 characters " 1.23 2.54 8.22 -1.22". Because the data argument is indefinite format arbitrary block program data, it may contain any 8-bit values, including newline characters (hexadecimal 0a). The fact that newline characters are allowed makes this command deviate from the strictest interpretation of the IEEE488.2 specification.

HARDCopy

This command sends a copy of the screen display to the port specified by HARDCopy:PORT. This command is equivalent to pressing the PRINT button on the front panel. When printing to a file, the file format is Windows Bitmap Image (BMP).

The HARDCopy query returns the port and file path.

Group Hardcopy

Syntax HARDCopy START
HARDCopy?

Related Commands *WAI, *CLS

Arguments START initiates a screen copy to a file or the default system printer, as specified by the :HARDCopy:PORT selection. The default system printer is set within the Windows operating system. If you need information about how to set the default system printer, refer to Microsoft Windows online help.

NOTE. Use the **WAI* command between *HARDCopy START* commands to ensure that the first hard copy is complete before starting another.

Examples HARDCOPY START initiates a screen copy to a file or the default system printer, as specified by the :HARDCopy:PORT selection.

HARDCOPY? returns the hard copy file path and the selected port. The query might return :HARDCOPY:FILENAME "C:\TekScope\Images\hcFILE.BMP";PORT FILE.

HARDCopy:FILENAME

This command sets or returns the file that will be sent hardcopy data on the next HARDCopy command (if the HARDCopy:PORT is set to FILE).

Group Hardcopy

Syntax HARDCopy:FILENAME <file path>
HARDCopy:FILENAME?

Related Commands [HARDCopy](#)

Arguments <file path> specifies that the hard copy is sent to the named file. <file path> is a quoted string that defines the file name and path. Input the file path using the form <drive>:<dir>/<filename>. <drive> and one or more <dir>s are optional. The file path cannot exceed 128 characters. If you don't specify the path with <drive>: and one or more <dir>s, the default location is "C:\TekScope\Screen Captures". While filename extensions are not required, they are highly recommended.

Examples HARDCOPY:FILENAME "TEK.BMP" sets TEK.BMP as the selected file name. The next hard copy will be sent to this file in the default hard copy directory, if the :HARDCopy:PORT selection is FILE.

HARDCOPY:FILENAME? might return :HARDCOPY:FILENAME "C:\TekScope\Screen Captures\TEK.BMP" as the selected file.

HARDCopy:LAYout

This command sets or returns the page orientation for hard copy.

Group Hardcopy

Syntax `HARDCopy:LAYout {PORTRait|LANDscape}`
`HARDCopy:LAYout?`

Arguments `PORTRait` orients the screen image vertically on the printed page.
`LANDscape` orients the screen image horizontally on the printed page.

Examples `HARDCOPY:LAYOUT LANDSCAPE` sets the hard copy page orientation to Landscape.
`HARDCOPY:LAYOUT?` might return `:HARDCOPY:LAYOUT PORTRAIT`, indicating that the hard copy page orientation is set to portrait.

HARDCopy:PALEtte

This command sets or returns the hard copy color palette.

Group Hardcopy

Syntax `HARDCopy:PALEtte {COLOR|INKSaver|BLACKANDWhite}`
`HARDCopy:PALEtte?`

Arguments `COLOR` argument sets the hard copy output to color.
`INKSaver` argument sets the hard copy output to save ink.
`BLACKANDWhite` argument sets the hard copy output to black and white.

Examples `HARDCOPY:PALETTE COLOR` sets the hard copy output to Color.
`HARDCOPY:PALETTE?` might return `:HARDCOPY:PALETTE GRAYSCALE`, indicating that the output for hard copy will be in gray scale.

HARDCopy:PORT

This command selects or returns whether the hard copy data will be sent to a file or printed on the next hard copy command (for example, the `HARDCopy START` command). This is equivalent to selecting Print in the File menu and then either choosing Print to file or specifying the default printer. If `FILE` is selected then the `EXPORT` setup commands are used to create the file. If `PRINTER` is selected then the `HARDCOPY` commands are used to send the data to the printer.

Group Hardcopy

Syntax `HARDCopy:PORT {FILE|PRINTER}`
`HARDCopy:PORT?`

Related Commands [HARDCopy](#), [HARDCopy:FILENAME](#)

Arguments `FILE` argument specifies that the hard copy is stored in the file specified in the [HARDCopy:FILENAME](#) command.

`PRINTER` argument specifies that the hard copy is sent to the printer specified in the Print dialog box.

Examples `HARDCOPY:PORT FILE` specifies that the hard copy is stored in the file specified in the [HARDCopy:FILENAME](#) command.

`HARDCOPY:PORT?` might return `:HARDCOPY:PORT FILE` indicating that hard copies are sent to the specified file.

The following commands sequence lets you to specify an inksaver data hard copy is stored in a file:

```
*RST
HARDCOPY:PORT FILE
HARDCOPY:PALETTE INKSAVER
HARDCOPY:FILENAME "FILE_INKSAVER"
HARDCOPY START
```

The following commands sequence lets you to specify a color data hard copy is stored in a file:

```
HARDCOPY:PALETTE COLOR
HARDCOPY:FILENAME :FILE COLOR"
HARDCOPY START
```

Both files will be the same since they are directed to a file. If they were directed to a printer then the printouts would be different.

HARDCopy:READOuts

This command sets or queries the area on a hardcopy where the readout appear. This command is equivalent to selecting Page Setup from the File menu and setting the Readouts Below Graticule in the control window.

Group Hardcopy

Syntax `HARDCopy:READOuts {OFFGRaticule|ONGRaticule}`
`HARDCopy:READOuts?`

- Arguments** OFFGRATICULE places the readouts off the graticule area.
 ONGRATICULE places the readouts on the graticule area on hardcopies.

HARDCopy:VIEW

This command sets or returns the area of the screen to be hard copied.

Group Hardcopy

Syntax HARDCopy:VIEW {FULLSCREEN|GRATICULE|FULLNOMENU}
 HARDCopy:VIEW?

- Arguments** FULLSCREEN sets the area to be hard copied to both the graticule and menu areas of the screen.
 GRATICULE sets the area to be hard copied to only the graticule area of the screen.
 FULLNOMENU sets the area to be hard copied to full screen but hides any menus or toolbars.

Examples HARDCOPY:VIEW FULLSCREEN sets the hard copy area to Full Screen.
 HARDCOPY:VIEW? might return :HARDCOPY:VIEW GRATICULE, indicating that only the graticule area of the screen will be hard copied.

HDR

This command is identical to the HEADer query and is included for backward compatibility purposes.

Group Miscellaneous

Syntax HDR {OFF|ON|<NR1>}
 HDR?

Related Commands [HEADer](#), [VERBose](#)

- Arguments** OFF sets the Response Header Enable State to false. This causes the instrument to omit headers on query responses, so that only the argument is returned.

ON sets the Response Header Enable State to true. This causes the instrument to include headers on applicable query responses. You can then use the query response as a command.

<NR1> = 0 sets the Response Header Enable State to false; any other value sets this state to true, which causes the instrument to send headers on query responses.

Examples HDR OFF specifies that the instrument omits headers on query responses, so that only the argument is returned.

HDR? might return :HEADER 1, indicating that the instrument is including headers on applicable query responses.

HEADer

This command sets or queries the Response Header Enable State that causes the instrument to either include or omit headers on query responses.

NOTE. *This command does not affect IEEE Std 488.2-1987 Common Commands (those starting with an asterisk); these commands never return headers. This command does make a corresponding change in the Response Header Enable State of the opposite interface (physical or virtual GPIB interface). Refer to Introduction for more information.*

Group Miscellaneous

Syntax HEADer {OFF|ON|<NR1>}
HEADer?

Related Commands [HDR](#), [VERBose](#)

Arguments OFF sets the Response Header Enable State to false. This causes the instrument to omit headers on query responses, so that only the argument is returned.

ON sets the Response Header Enable State to true. This causes the instrument to include headers on applicable query responses. You can then use the query response as a command.

<NR1> = 0 sets the Response Header Enable State to false; any other value sets this state to true.

Examples HEADER OFF specifies that the instrument omits headers on query responses, so that only the argument is returned.

HEADER? might return :HEADER 1, indicating that the instrument is including headers on applicable query responses.

HIStogram? (Query Only)

This query-only command returns all histogram parameters; it queries the state of all histogram parameters that the user can set. This command is equivalent to selecting Waveform Histograms from the Measure menu.

Group Histogram

Syntax HIStogram?

Related Commands [MEASUrement:METhod](#)

Examples HISTOGRAM? might return the histogram parameters as :HISTOGRAM:BOXPCNT 30.0000,25.1000,70.0000,75.2000;DISPLAY LINEAR;STATE 1;FUNCTION VERTICAL;SIZE 2.0000;SOURCE CH1.

HIStogram:BOX

This command defines or returns the left, top, right, and bottom boundaries of the histogram box, in source waveform coordinates. This command is equivalent to selecting Waveform Histograms from the Measure menu and then setting Limits for Left, Right, Top, and Bottom in the appropriate boxes. The command is similar to the [HIStogram:BOXPent](#) command except that command uses percentage coordinates to define the boundaries of the histogram box.

NOTE. *This command implicitly clears the histogram count and statistics for the histogram and histogram source data when HIStogram:STATE is turned on.*

Group Histogram

Syntax HIStogram:BOX <NR3>,<NR3>,<NR3>,<NR3>
HIStogram:BOX?

Related Commands [HIStogram:BOXPent](#)

Arguments <NR3> specifies the left position of the histogram box in source waveform coordinates.

<NR3> specifies the top position of the histogram box in source waveform coordinates.

<NR3> specifies the right position of the histogram box in source waveform coordinates.

<NR3> specifies the bottom position of the histogram box in source waveform coordinates.

Examples HISTOGRAM:BOX 1E-9, 0.250, 2E-9, 0.500 defines the coordinates of the histogram box in source waveform coordinates.

HISTOGRAM:BOX? might return :HISTOGRAM:BOX 1.0000E-09, 0.2500, 2.0000E-09, 0.5000, which identifies the coordinates of the histogram box in source waveform coordinates.

HIStogram:BOXPcnt

This command defines or queries the left, top, right, and bottom positions of the histogram box, in percentage coordinates. The upper left has the value 0,0 and the lower right has the value 100, 100. Any value outside the range of 0 to 100 is clipped. This command is similar to the [HIStogram:BOX](#) command except that this command uses percentage coordinates to define the boundaries of the histogram box.

NOTE. This command implicitly clears the histogram count and statistics for the histogram and histogram source data when *HIStogram:STATE* is turned on.

Group Histogram

Syntax HIStogram:BOXPcnt <NR2>, <NR2>, <NR2>, <NR2>
HIStogram:BOXPcnt?

Related Commands [HIStogram:BOX](#)

Arguments <NR2> specifies the left position of the histogram box in percentage coordinates. The default value is 30.0.

<NR2> specifies the top position of the histogram box in percentage coordinates. The default value is 25.1.

<NR2> specifies the right position of the histogram box in percentage coordinates. The default value is 70.0.

<NR2> specifies the bottom position of the histogram box in percentage coordinates. The default value is 75.2.

Examples HISTOGRAM:BOXPCNT 30.0,25.0,70.0,75.0 sets the left boundary of the histogram box to 30% of the graticule (3 divisions from the left edge); the top boundary to 25% of the graticule ($0.25 \times 8 = 2.0$ divisions from the top edge); the right boundary to 70% of the graticule (7 divisions from the left edge); and the bottom boundary to 75% of the graticule ($0.75 \times 8 = 6.0$ divisions from the top edge).

HISTOGRAM:BOXPCNT? might return :HISTOGRAM:BOXPCNT
30.0000,25.1000,70.0000,75.2000.

HISTogram:COUNT (No Query Form)

This command (no query form) clears the count and statistics for the histogram and the histogram source data. If the histogram is on, then counting restarts. This command is equivalent selecting Waveform Histograms from the Measure menu and then clicking the Reset button.

Group Histogram

Syntax HISTogram:COUNT RESET

Related Commands [HISTogram:BOX](#), [HISTogram:BOXPent](#)

Examples HISTOGRAM:COUNT RESET clears the count and statistics for the histogram and the histogram source data.

HISTogram:DATA? (Query Only)

This query-only command returns an ASCII comma-separated list of histogram data numbers. This command returns 252 values for vertical histograms and 1000 values for horizontal histograms. The first and last value are not displayed, and are used for over range and under range tracking.

NOTE. *You must set the histogram state to ON before sending this query or the system will generate an error indicating: "Source waveform is not active".*

Group	Histogram
Syntax	HISTogram:DISplay {OFF LOG LINEAr} HISTogram:DISplay?
Related Commands	HISTogram:MODE , HISTogram:STATE
Arguments	<p><OFF> disables the histogram display but allows histogram data to accumulate. This argument provides for backward compatibility with older DPO Series instruments; it does not affect a change in the display scaling of the histogram. When queried, HISTogram:DISplay? will return OFF if the histogram state or mode has been disabled using the HISTogram:MODE or HISTogram:STATE commands.</p> <p><LOG> sets the histogram display to logarithmic scaling.</p> <p><LINEAR> sets the histogram display to linear scaling. This is the default setting.</p>
Examples	<p>HISTOGRAM:DISPLAY LOG sets the histogram scaling to be the log count of each histogram bin.</p> <p>HISTOGRAM:DISPLAY? might return :HISTOGRAM:DISPLAY LOG indicating that the current histogram display scaling is the log count of each histogram bin.</p>

HISTogram:FUNCTION

This command either selects the type of histogram to create or returns the current histogram type. This command is equivalent to selecting Waveform Histogram from the Measure menu and then choosing either Horizontal or Vertical from the Histogram Mode group box.

Group	Histogram
Syntax	HISTogram:FUNCTION {HORizontal VERTical} HISTogram:FUNCTION?
Related Commands	HISTogram:MODE , HISTogram:STATE
Arguments	<p>HORizontal displays a horizontally positioned histogram that shows time distribution.</p> <p>VERTical displays a vertically positioned histogram that shows a voltage distribution (or another distribution such as amperes).</p>

Examples HISTOGRAM:FUNCTION HORIZONTAL sets the histogram mode to the horizontal display mode.

HISTOGRAM:FUNCTION? might return :HISTOGRAM:FUNCTION VERTICAL, indicating that the vertical display mode is selected for the histogram.

HIStogram:MODe

This command selects the type of histogram to create or disables the histogram display. The query form either returns the current histogram type or that histogram display is disabled. This command is equivalent to selecting Waveform Histogram from the Measure menu and then choosing from the Histogram Mode group box.

HIStogram:MODe is functionally equivalent to the [HIStogram:FUNcTion](#) and [HIStogram:STATE](#) commands and is included for backward compatibility purposes.

Group Histogram

Syntax HIStogram:MODe {HORizontal|VERTical|OFF}
HIStogram:MODe?

Related Commands [HIStogram:FUNcTion](#), [HIStogram:STATE](#), [HIStogram:DISplay](#)

Arguments HORizontal enables a horizontally positioned histogram that shows time distribution.

VERTical enables a vertically positioned histogram that shows a voltage distribution (or another distribution such as amperes).

OFF disables collection of the histogram measurement.

Examples HISTOGRAM:MODE HORIZONTAL sets the type of histogram created to horizontal, which displays a horizontally positioned histogram that shows time distribution.

HISTOGRAM:MODE? might return :HISTOGRAM:MODE OFF, indicating that histogram display is disabled.

HIStogram:SIZe

This command sets or queries the width or height of the histogram on the screen. This is equivalent to selecting Waveform Histograms from the Measure menu and then entering a value in the Histogram Size box.

Group	Histogram
Syntax	HISTogram:SIZE <NR3> HISTogram:SIZE?
Related Commands	HISTogram:DISplay
Arguments	<NR3> specifies the histogram size. The value can vary from 0.1 to 8.0 divisions in HORizontal mode and from 0.1 to 10.0 divisions in VERTical mode. Resolution is to the nearest pixel.
Examples	HISTOGRAM:SIZE 2.0 sets the size of the histogram to 2.0 divisions. HISTOGRAM:SIZE? might return :HISTOGRAM:SIZE 2.0000E+01, indicates the histogram size is set to 2.0 divisions.

HISTogram:SOURce

This command sets or queries which source will be compared against the histogram box when the histogram testing is enabled. This is equivalent to selecting Waveform Histograms from the Measure menu and then choosing the desired waveform source. The waveform need not be displayed for histograms to run. You might want the channel displays disabled so you can see a full-screen histogram and not have waveform data confuse the display.

Group	Histogram
Syntax	HISTogram:SOURce {CH<x> MATH<x> REF<x>} HISTogram:SOURce?
Related Commands	HISTogram:DISplay
Arguments	CH<x> selects a channel waveform as the source for the histogram. The x variable can be expressed as an integer ranging from 1 through 4. MATH<x> selects a math waveform as the source for the histogram. The x variable can be expressed as an integer ranging from 1 through 4. REF<x> selects a reference waveform as the source for the histogram. The x variable can be expressed as an integer ranging from 1 through 4.

- Examples** HISTOGRAM:SOURCE CH1 enables the Channel 1 waveform to be compared against the histogram box. The default time base, Main, is used for the histogram display.
- HISTOGRAM:SOURCE? might return :HISTOGRAM:SOURCE CH1, indicating that the waveform for Channel 1 is the source for the histogram.

HIStogram:STATE

This command sets or queries whether the histogram calculations are enabled. This is equivalent to selecting Waveform Histograms from the Measure menu.

- Group** Histogram
- Syntax** HIStogram:STATE {ON|OFF|<NR1>}
HIStogram:STATE?
- Related Commands** [HIStogram:MODE](#), [MEASUrement:METHOD](#)
- Arguments** <ON> enables histogram calculations.
<OFF> disables the histogram calculations.
<NR1> = 0 disables histogram calculations; any other value enables histogram calculations.
- Examples** HISTOGRAM:STATE ON enables histogram calculations.
HISTOGRAM:STATE? might return :HISTOGRAM:STATE 0, indicating that histogram calculations are currently disabled.

HORizontal? (Query Only)

This query-only command returns all settings for the horizontal commands.

- Group** Horizontal
- Syntax** HORizontal?
- Examples** HORIZONTAL? might return the following horizontal settings
:HORIZONTAL:DELAY:MODE 0;POSITION 50.0000;TIME

```
0.00000000000;:HORIZONTAL:MAIN:INTERPRATIO 1.0000;POSITION  
50.0000;UNITS:STRING "s";:HORIZONTAL:ROLL  
AUTO;MODE AUTO;MODE:AUTO:LIMITRECORDLEN  
200000;:HORIZONTAL:MODE:RECORDLENGTH 1000;SAMPLERATE  
40.0000E+9;SCAL.
```

HORizontal:ACQDURATION? (Query Only)

This query returns the timebase duration.

Group Horizontal

Syntax HORizontal:ACQDURATION?

Returns <NR3>

Examples HORIZONTAL:ACQDURATION? might return :HORIZONTAL:ACQDURATION
5.0E-9, indicating the acquisition duration is 5.0 us.

HORizontal:ACQLENGTH? (Query Only)

This query returns the record length.

Group Horizontal

Syntax HORizontal:ACQLENGTH?

Returns <NR1>

Examples HORIZONTAL:ACQLENGTH? might return :HORIZONTAL:ACQLENGTH 50000,
indicating the acquisition record length is 50000 points.

HORizontal:DIVisions? (Query Only)

This query-only command returns the number of graticule divisions over which the waveform is displayed.

Group	Horizontal
Syntax	HORizontal:DIVisions?
Arguments	None.
Examples	HORIZONTAL:DIVISIONS? might return :HORIZONTAL:DIVISIONS 10.0000, indicating that the waveform is displayed across ten division.

HORizontal:FASTframe? (Query Only)

This query-only command returns all of the settings for the horizontal FastFrame commands.

Group	Horizontal
Syntax	HORizontal:FASTframe?
Examples	HORIZONTAL:FASTFRAME? might return :HORIZONTAL:FASTFRAME:STATE 1;READOUTS 0;SUMFRAME NONE;MULTIPLEFRAMES:MODE OVERLAY;FRAMESTART:CH1 1;CH2 1;CH3 1;CH4 1;MATH1 1;MATH2 1;MATH3 1;MATH4 1;REF1 1;REF2 1;REF3 1;REF4 1;:HORIZONTAL:FASTFRAME:MULTIPLEFRAMES:NUMFRAMES:CH1 2;CH2 2;CH3 2;CH4 2;MATH1 2;MATH2 2;MATH3 2;MATH4 2;REF1 2;REF2 2;REF3 2;REF4 2;:HORIZONTAL:FASTFRAME:LENGTH 500;COUNT 2;SELECTED:CH1 2;CH2 2;CH3 2;CH4 2;MATH1 2;MATH2 2;MATH3 2;MATH4 2;REF1 2;REF2 2;REF3 2;REF4 2;:HORIZONTAL:FASTFRAME:REF:SOURCE CH4;FRAME 1;:HORIZONTAL:FASTFRAME:TRACK ALL.

HORizontal:FASTframe:COUNT

This command sets or queries FastFrame frame count. This command is equivalent to selecting Fast Frame Setup from the Horiz/Acq menu and entering a value in the Frame Count box. FastFrame captures a series of triggered acquisitions with minimal intervening time.

Group	Horizontal
--------------	------------

Syntax `HORizontal:FASTframe:COUNT <NR1>`
`HORizontal:FASTframe:COUNT?`

Related Commands [HORizontal:MODE:RECOrdlength](#)

Arguments `<NR1>` indicates the number of frames to acquire.

Examples `HORIZONTAL:FASTFRAME:COUNT 2` sets up FastFrame mode to acquire two frames (segments) of data.

`HORIZONTAL:FASTFRAME:COUNT?` might return `:HORIZONTAL:FASTFRAME:COUNT 4`, indicating that FastFrame mode is currently set to acquire 4 frames of data.

HORizontal:FASTframe:MAXFRames? (Query Only)

This query only command returns the maximum number of FastFrame frames which can be acquired at the current frame length.

Group Horizontal

Syntax `HORizontal:FASTframe:MAXFRames?`

Related Commands

Examples `HORIZONTAL:FASTFRAME:MAXFRAMES?` might return `HORIZONTAL:FASTFRAME:MAXFRAMES 3`, indicating that the maximum number of FastFrame frames which can be acquired at the current frame length is 3.

HORizontal:FASTframe:MULtipleframes:FRAMEStart:<wfm>

This command sets or queries the start frame number on the specified waveform for the FastFrame multiple frames feature. Valid waveforms include `CH<x>`, `MATH<x>`, and `REF<x>`. The value of `x` can be an integer ranging from 1 through 4. The multiple frames feature supports displaying multiple frames in an overlaid manner.

Group Horizontal

Syntax	<code>HORizontal:FASTframe:MULTipleframes:FRAMEStart:<wfm> <NR1></code> <code>HORizontal:FASTframe:MULTipleframes:FRAMEStart:<wfm>?</code>
Related Commands	HORizontal:FASTframe:MULTipleframes:NUMFRames:<wfm> , HORizontal:FASTframe:MULTipleframes:MODE , HORizontal:FASTframe:COUNT
Arguments	<NR1> specifies the start frame number on the specified waveform.
Examples	<code>HORIZONTAL:FASTFRAME:MULTIPLEFRAMES:FRAMESTART:CH1 3</code> sets the start frame number to frame 3 on Channel 1. <code>HORIZONTAL:FASTFRAME:MULTIPLEFRAMES:FRAMESTART:CH1?</code> might return <code>:HORIZONTAL:FASTFRAME:MULTIFRAMES:FRAMESTART:CH1 3</code> , indicating that the start frame number is frame 3 for Channel 1.

HORizontal:FASTframe:MULTipleframes:MODE

This command sets or queries the mode for the FastFrame multiple frames feature. This feature displays multiple frames in an overlaid manner.

Group	Horizontal
Syntax	<code>HORizontal:FASTframe:MULTipleframes:MODE</code> {OFF OVERlay ONLYOVERlay} <code>HORizontal:FASTframe:MULTipleframes:MODE?</code>
Related Commands	HORizontal:FASTframe:MULTipleframes:FRAMEStart:<wfm> , HORizontal:FASTframe:MULTipleframes:NUMFRames:<wfm> , HORizontal:FASTframe:COUNT
Arguments	OFF turns off the multiple frames mode. OVERlay sets the multiple frames mode to overlay.
Examples	<code>HORIZONTAL:FASTFRAME:MULTIPLEFRAMES:MODE OFF</code> turns off the multiple frames mode. <code>HORIZONTAL:FASTFRAME:MULTIPLEFRAMES:MODE?</code> might return <code>:HORIZONTAL:FASTFRAME:MULTIPLEFRAMES:MODE OFF</code> , indicating that the multiple frames mode is off.

HORizontal:FASTframe:MULTipleframes:NUMFRames:<wfm>

This command sets or queries the number of frames on the specified waveform for the FastFrame multiple frames feature. The multiple frames feature supports displaying multiple frames in an overlaid manner.

Group Horizontal

Syntax `HORizontal:FASTframe:MULTipleframes:NUMFRames:<wfm> <NR1>`
`HORizontal:FASTframe:MULTipleframes:NUMFRames:<wfm>?`

Related Commands [HORizontal:FASTframe:MULTipleframes:FRAMEStart:<wfm>](#), [HORizontal:FASTframe:MULTipleframes:MODE](#), [HORizontal:FASTframe:COUNT](#)

Arguments <wfm> specifies the waveform source. Valid waveforms include CH<x>, MATH<x>, and REF<x>. Express the x variable as an integer ranging from 1 through 4.

<NR1> represents the number of frames on the specified waveform.

Examples `HORIZONTAL:FASTFRAME:MULTIPLEFRAMES:NUMFRAMES:CH1 3` sets the number of frames to 3 on Channel 1.

`HORIZONTAL:FASTFRAME:MULTIPLEFRAMES:NUMFRAMES:CH1?` might return `:HORIZONTAL:FASTFRAME:MULTIPLEFRAMES:NUMFRAMES:CH1 1`, indicating that the number of frames on Channel 1 is 3.

HORizontal:FASTframe:REF:FRame

This command sets or queries the FastFrame reference frame number. The Reference Frame number is used to calculate time differences for each frame and displays those differences in the graticule. This command is equivalent to selecting FastFrame Setup in the Horiz/Acq menu and entering a value in the Time Stamps/Frame box.

Group Horizontal

Syntax `HORizontal:FASTframe:REF:FRame <NR1>`
`HORizontal:FASTframe:REF:FRame?`

Related Commands [HORizontal:FASTframe:REF:SOURce](#), [HORizontal:FASTframe:TIMESTAMP:DELTA:<wfm>?](#), [HORizontal:FASTframe:TIMESTAMP:REF?](#), [HORizontal:FASTframe:TRACK](#)

Arguments <NR1> specifies the FastFrame reference frame.

Examples `HORIZONTAL:FASTFRAME:REF:FRAME 2` sets the FastFrame reference frame to 2.

`HORIZONTAL:FASTFRAME:REF:FRAME?` might return `:HORIZONTAL:FASTFRAME:REF:FRAME 3`, indicating that the FastFrame reference frame is currently set to 3.

HORizontal:FASTframe:REF:SOURce

This command sets or queries FastFrame Reference waveform source. This is equivalent to selecting FastFrame Setup from the Horiz/Acq menu and choosing the reference source.

Group Horizontal

Syntax `HORizontal:FASTframe:REF:SOURce <wfm>`
`HORizontal:FASTframe:REF:SOURce?`

Related Commands [HORizontal:FASTframe:REF:FRAME](#), [HORizontal:FASTframe:TIMESTAMP:DELTA:<wfm>?](#), [HORizontal:FASTframe:TIMESTAMP:REF?](#), [HORizontal:FASTframe:TRACK](#)

Arguments <wfm> specifies the FastFrame Reference waveform source. Valid waveforms include CH<x> and MATH<x> The x variable can be expressed as an integer ranging from 1 through 4.

Examples `HORIZONTAL:FASTFRAME:REF:SOURCE CH2` sets the horizontal FastFrame waveform reference source to Channel 2.

`HORIZONTAL:FASTFRAME:REF:SOURCE?` might return `:HORIZONTAL:FASTFRAME:REF:SOURCE CH2`, indicating that the FastFrame waveform source is currently set to Channel 2.

HORizontal:FASTframe:SELECTED:CH<x>

This command sets or queries the FastFrame selected frame number on the specified waveform.

Group Horizontal

Syntax HORizontal:FASTframe:SELECTED:CH<x> <NRF>
HORizontal:FASTframe:SELECTED:CH<x>?

Arguments <NRF> is the selected frame number.

Examples HORIZONTAL:FASTFRAME:SELECTED:CH1 5 selects frame 5 on Channel 1.
HORIZONTAL:FASTFRAME:SELECTED:CH1? might return
:HORIZONTAL:FASTFRAME:SELECTED:CH1 5, indicating frame 5
on Channel 1 is selected.

HORizontal:FASTframe:SELECTED:MATH<x>

This command sets or queries the FastFrame selected frame number on the specified waveform.

Group Horizontal

Syntax HORizontal:FASTframe:SELECTED:MATH<x> <NRF>
HORizontal:FASTframe:SELECTED:MATH<x>?

Arguments <NRF> is the selected frame number.

Examples HORIZONTAL:FASTFRAME:SELECTED:MATH2 4 selects frame 4 on Math 2
waveform.
HORIZONTAL:FASTFRAME:SELECTED:MATH1? might return
:HORIZONTAL:FASTFRAME:SELECTED:MATH1 5, indicating that frame 5 on
Math 1 waveform is selected.

HORizontal:FASTframe:SELECTED:REF<x>

This command sets or queries the FastFrame selected frame number on the specified waveform.

Group	Horizontal
Syntax	HORizontal:FASTframe:SELECTED:REF<x> <NRF> HORizontal:FASTframe:SELECTED:REF<x>?
Arguments	<NRF> is the selected frame number.
Examples	HORIZONTAL:FASTFRAME:SELECTED:REF1 1 selects frame 1 on Reference 1 waveform. HORIZONTAL:FASTFRAME:SELECTED:REF1? might return :HORIZONTAL:FASTFRAME:SELECTED:REF1 25, indicating frame 25 on Reference 1 waveform is the selected frame.

HORizontal:FASTframe:SELECTED:SOUrce

This command sets or returns the FastFrame source waveform. This is equivalent to selecting FastFrame Setup from the Horiz/Acq menu, and then choosing the waveform source. Valid waveforms include CH<x> and MATH<x>. The x variable can be expressed as an integer ranging from 1 through 4.

Group	Horizontal
Syntax	HORizontal:FASTframe:SELECTED:SOUrce <NR1> HORizontal:FASTframe:SELECTED:SOUrce?
Related Commands	HORizontal:FASTframe:TRACk , HORizontal:FASTframe:TIMEStamp:DELTA:<wfm>? , HORizontal:FASTframe:TIMEStamp:REF?
Arguments	<NR1> specifies the selected frame number on the specified waveform.
Examples	HORIZONTAL:FASTFRAME:SELECTED:SOURCE CH2 sets the FastFrame source to Channel 2. HORIZONTAL:FASTFRAME:SELECTED:SOURCE? might return :HORIZONTAL:FASTFRAME:SELECTED:SOURCE CH1, indicating that the selected source is Channel 1.

HORizontal:FASTframe:SEquence

This command sets or queries the FastFrame single-sequence mode stop condition.

Group	Horizontal
Syntax	HORizontal:FASTframe:SEquence {FIRst LAST} HORizontal:FASTframe:SEquence?
Arguments	FIRst sets single sequence to stop after n frames. LAST sets single sequence to stop manually.
Examples	HORIZONTAL:FASTFRAME:SEQUENCEFIRst sets single-sequence mode to stop after n frames. HORIZONTAL:FASTFRAME:SEQUENCE? might return :HORIZONTAL:FASTFRAME:SEQUENCE LAST, indicating the FastFrame single-sequence mode is stop manually.

HORizontal:FASTframe:STATE

This command sets or returns the state of FastFrame acquisition. This is equivalent to setting FastFrame to On in the FastFrame Setup menu. FastFrame lets users capture a series of triggered acquisitions with minimal time between them.

The digitizing instrument in FastFrame mode is ready to accept a continuous burst of triggers 400 ms after the controller sends the [ACQUIRE:STATE RUN](#) command.

Group	Horizontal
Syntax	HORizontal:FASTframe:STATE {ON OFF <NR1>} HORizontal:FASTframe:STATE?
Related Commands	ACQUIRE:STATE
Arguments	<ON> turns on horizontal FastFrame. <OFF> turns off horizontal FastFrame. <NR1> = 0 turns off horizontal FastFrame; any other value turns on horizontal FastFrame.

Examples `HORIZONTAL:FASTFRAME:STATE ON` turns on horizontal FastFrame.

`HORIZONTAL:FASTFRAME:STATE?` might return
`:HORIZONTAL:FASTFRAME:STATE 0`, indicating that the current state of FastFrame is off.

HORizontal:FASTframe:SUMFrame

This command sets or queries the summary frame mode. When ENvelope is selected, the last frame in a FastFrame acquisition is an envelope of all the prior frames in the acquisition. When AVERAGE is selected, the last frame is replaced with a frame that is the computed average of all the prior frames in the acquisition. For the summary frame control to be active, the number of frames must be two or greater.

Group Horizontal

Syntax `HORizontal:FASTframe:SUMFrame {NONE|ENvelope|AVERAGE}`
`HORizontal:FASTframe:SUMFrame?`

Arguments `NONE` turns off the summary mode for FastFrame. This is the default setting.

`ENvelope` argument displays the last frame in a FastFrame acquisition as an envelope of all the prior frames in the acquisition.

`AVERAGE` argument displays the last frame in a FastFrame acquisition as a frame that is the computed average of all the prior frames in the acquisition.

Examples `HORIZONTAL:FASTFRAME:SUMFRAME NONE` turns off the summary frame feature.

`HORIZONTAL:FASTFRAME:SUMFRAME?` might return
`:HORIZONTAL:FASTFRAME:SUMFRAME AVERAGE`, indicating that the summary mode for FastFrame is set to `AVERAGE` and will display the last frame in the acquisition as the average of all the prior frames in the acquisition.

HORizontal:FASTframe:TIMESTAMP:ALL:<wfm>? (Query Only)

This query-only command returns the frame number and time stamp for each frame between requested frames, inclusive, within the specified waveform. Argument order is unimportant. Valid waveforms include `CH<x>`, `MATH<x>` and `REF<x>`. The `x` variable can be expressed as an integer ranging from 1 through 4.

The format of the output is as follows:

DD MON YYYY HH:MM:SS.xxx xxx xxx xxx

- DD MON YYYY is day, month, and year
- HH:MM:SS is hours, minutes, and seconds
- .xxx xxx xxx xxx is fractions of a second to picoseconds

Group Horizontal

Syntax HOrizontal:FASTframe:TIMESTamp:ALL:<wfm>? <NR1>, <NR1>

Arguments <NR1> specifies the selected “from” frame number within the specified waveform.
<NR1> specifies the selected “to” frame number within the specified waveform.

Examples HORIZONTAL:FASTFRAME:TIMESTAMP:ALL:CH2? 4,1 might return
:HORIZONTAL:FASTFRAME:TIMESTAMP:ALL:CH1 4,1,“02 Mar 2000
20:10:54.542 037 272 620” This is the list of time stamps from frame 1 through
frame 4 on Channel 1.

HORizontal:FASTframe:TIMESTamp:BETween:<wfm>? (Query Only)

This query-only command returns the relative trigger for the delta time between the specified frames, within the specified waveform. Valid waveforms include CH<x>, MATH<x> and REF<x>. The x variable can be expressed as an integer ranging from 1 through 4.

The format of the delta time output is as follows:

HH:MM:SS.xxx xxx xxx xxx

- HH:MM:SS is hours, minutes, and seconds
- .xxx xxx xxx xxx is fractions of a second to picoseconds

Group Horizontal

Syntax HOrizontal:FASTframe:TIMESTamp:BETween:<wfm>? <NR1>, <NR1>

Arguments <NR1> specifies the selected “from” frame number within the specified waveform.
<NR1> specifies the selected “to” frame number within the specified waveform.

Examples `HORIZONTAL:FASTFRAME:TIMESTAMP:BETWEEN:CH1? 5,2` might return `:HORIZONTAL:FASTFRAME:TIMESTAMP:BETWEEN:CH1 5,2,"00:00:00.010 000 540 624"` This is the delta of Channel 1's Time Stamp frame 5 - Time Stamp frame 2 (TS[5]-TS[2]).

HORizontal:FASTframe:TIMEStamp:DELTA:<wfm>? (Query Only)

This query-only command returns the relative time between the triggers of the FastFrame Selected and the FastFrame Reference, within the specified waveform. Valid waveforms include CH<x>, MATH<x>, and REF<x>. The x variable can be expressed as an integer ranging from 1 through 4.

The format of the output is as follows:

HH:MM:SS.xxx xxx xxx xxx

- HH:MM:SS is hours, minutes, and seconds
- .xxx xxx xxx xxx is fractions of a second to picoseconds

Group Horizontal

Syntax `HORizontal:FASTframe:TIMEStamp:DELTA:<wfm>?`

Examples `HORIZONTAL:FASTRAME:TIMESTAMP:DELTA:CH1?` might return `:HORIZONTAL:FASTFRAME:TIMESTAMP:DELTA:CH1 "00:00:00.006 000 306 556"` This is the delta time stamp of FastFrame Selected Frame on Channel 1 - FastFrame Reference Frame (TS[C1 Selected]-TS[Reference]).

HORizontal:FASTframe:TIMEStamp:FRAME:<wfm>? (Query Only)

This query-only command returns the absolute trigger date and time for the specified frame and waveform. Valid waveforms include CH<x>, MATH<x> and REF<x>. The x variable can be expressed as an integer ranging from 1 through 4.

The format of the output is as follows:

DD MON YYYY HH:MM:SS.xxx xxx xxx xxx

- DD MON YYYY is day, month, and year
- HH:MM:SS is hours, minutes, and seconds
- .xxx xxx xxx xxx is fractions of a second to picoseconds

Group Horizontal

Syntax	<code>HORizontal:FASTframe:TIMESamp:FRAME:<wfm>? <NR1></code>
Arguments	<NR1> is the frame number for which the timestamp will be returned on the specified waveform.
Examples	<code>HORIZONTAL:FASTFRAME:TIMESTAMP:FRAME:CH1? 10</code> might return : <code>HORIZONTAL:FASTFRAME:TIMESTAMP:FRAME:CH1 10,"02 Mar 2000 20:10:54.536 036 928 432"</code> which is the time stamp of Channel 1, frame 10.

HORizontal:FASTframe:TIMESamp:REF? (Query Only)

This query-only command returns the absolute trigger date and time for FastFrame reference.

The format of the output is as follows:

DD MON YYYY HH:MM:SS.xxx xxx xxx xxx

- DD MON YYYY is day, month, and year
- HH:MM:SS is hours, minutes, and seconds
- .xxx xxx xxx xxx is fractions of a second to picoseconds

Group Horizontal

Syntax `HORizontal:FASTframe:TIMESamp:REF?`

Related Commands [HORizontal:FASTframe:REF:FRame](#), [HORizontal:FASTframe:REF:SOUrce](#)

Examples `HORIZONTAL:FASTFRAME:TIMESTAMP:REF?` might return
:`HORIZONTAL:FASTFRAME:TIMESTAMP:REF "02 Mar 2000 20:10:54.533 036 838 784"` This is the time stamp of FastFrame Reference.

HORizontal:FASTframe:TIMESamp:SELECTED:<wfm>? (Query Only)

This query-only command returns the absolute trigger date and time for the FastFrame Selected, within the specified waveform. Valid waveforms include CH<x>, MATH<x> and REF<x>. The x variable can be expressed as an integer ranging from 1 through 4.

The format of the output is as follows:

DD MON YYYY HH:MM:SS.xxx xxx xxx xxx

- DD MON YYYY is day, month, and year
- HH:MM:SS is hours, minutes, and seconds
- .xxx xxx xxx xxx is fractions of a second to picoseconds

Group Horizontal

Syntax `HORizontal:FASTframe:TIMESamp:SELECTED:<wfm>?`

Related Commands [HORizontal:FASTframe:SELECTED:SOUrce](#)

Examples `HORIZONTAL:FASTFRAME:TIMESTAMP:SELECTED:REF1?` might return `:HORIZONTAL:FASTFRAME:TIMESTAMP:SELECTED:REF1 "02 MAR 2000 20:10:54:539 037 145 340"` This is the time stamp of FastFrame Selected on Reference 1 waveform.

HORizontal:FASTframe:TRACK

This command sets up or returns the state of FastFrame tracking feature. This command is equivalent to selecting FastFrame Setup from the Horiz/Acq menu and then clicking the desired Frame Tracking state.

When FastFrame Track is set to “live”, the channel and math waveforms are locked together. Adjusting a channel waveform also adjusts a related math waveform. All reference waveforms are also locked together but they are separate from channel and math waveforms.

For example, when you set the Selected Frame Source Ch1 to Frame 3, then Selected Frame Ch2, Ch3, Ch4, Math1, Math2, Math3 and Math4 are also set to Frame 3.

When you set the Selected Frame Source Ref1 to Frame 2, then Selected Frame Ref2, Ref3 and Ref4 are also set to Frame 2. If the Frame Tracking is set to Live, changing Selected Frame Ch1 will not affect the Selected Frame Ref1 frame of the Reference Frame setting.

When FastFrame Track is set to “all”, the channel, math and reference waveforms are locked together. Adjusting a channel waveform also adjusts the related math and reference waveforms.

For example, when you set the Selected Frame Source Ch1 to Frame 3, then Selected Frame Ch2, Ch3, Ch4, Math1, Math2, Math3, Math4, Ref1, Ref2, Ref3 and Ref4 are also set to Frame 3.

Group	Horizontal
Syntax	<code>HORizontal:FASTframe:TRACK {LIVE ALL}</code> <code>HORizontal:FASTframe:TRACK?</code>
Related Commands	HORizontal:FASTframe:REF:FRAMe , HORizontal:FASTframe:REF:SOURce , HORizontal:FASTframe:SELECTED:SOURce
Arguments	LIVE sets FastFrame Track to Live. ALL sets FastFrame Track to All.
Examples	<code>HORIZONTAL:FASTFRAME:TRACK LIVE</code> sets FastFrame Track to live. <code>HORIZONTAL:FASTFRAME:TRACK?</code> might return <code>:HORIZONTAL:FASTFRAME:TRACK ALL</code> , indicating that all FastFrame Selected Frames and the FastFrame Reference will be locked together.

HORizontal:FASTframe:XZero:ALL:CH<x>? (Query Only)

This command queries the time from the trigger to the start of the specified frames on the specified channel.

Group	Horizontal
Syntax	<code>HORizontal:FASTframe:XZero:ALL:CH<x>? <NR1>,<NR1></code>
Arguments	<NR1> specifies the first and last frame of a range of frames.
Examples	<code>HORIZONTAL:FASTFRAME:XZERO:ALL:CH1? 1,4</code> might return <code>:HORIZONTAL:FASTFRAME:XZERO:ALL:CH1 1,4,"1:</code> <code>2.5265E-009","2: 3.9010E-010","3: 3.8285E-009","4:</code> <code>1.3237E-009"</code> , giving the first 4 XZERO times for Channel 1.

HORizontal:FASTframe:XZero:ALL:REF<x>? (Query Only)

This command queries the time from the trigger to the start of the specified frames on the specified reference.

Group	Horizontal
Syntax	<code>HORizontal:FASTframe:XZero:ALL:REF<x>? <NR1>,<NR1></code>
Arguments	<NR1> specifies the first and last frame of a range of frames.
Examples	<code>HORIZONTAL:FASTFRAME:XZERO:ALL:REF1? 1,3</code> might return <code>:HORIZONTAL:FASTFRAME:XZERO:ALL:REF1 1,3,"1: 2.5265E-009", "2: 3.9010E-010", "3: 3.8285E-009"</code> , giving the first 3XZERO times for Reference 1.

HORizontal:FASTframe:XZero:FRame:CH<x>? (Query Only)

This command queries the time from the trigger to the start of the specified frame on the specified channel.

Group	Horizontal
Syntax	<code>HORizontal:FASTframe:XZero:FRame:CH<x>? <NR1></code>
Arguments	<NR1> specifies a frame on the specified channel.
Examples	<code>HORIZONTAL:FASTFRAME:XZERO:FRAME:CH1? 3</code> might return <code>:HORIZONTAL:FASTFRAME:XZERO:FRAME:CH1 3,3.8285E-9</code> , indicating the time from the trigger to the start of frame 3 on Channel 1 is 3.83 ns.

HORizontal:FASTframe:XZero:FRame:REF<x>? (Query Only)

This command queries the time from the trigger to the start of the specified frame on the specified reference.

Group	Horizontal
Syntax	<code>HORizontal:FASTframe:XZero:FRame:REF<x>? <NR1></code>
Arguments	<NR1> specifies a frame on the specified reference.

Examples `HORIZONTAL:FASTFRAME:XZERO:FRAME:REF1? 3` might return
`:HORIZONTAL:FASTFRAME:XZERO:FRAME:REF1 3,3.8285E-9`, indicating
the time from the trigger to the start of frame 3 on Reference 1 is 3.83 ns.

HORizontal:FASTframe:XZero:REF? (Query Only)

This command sets or queries the time from the trigger to the trigger sample on the reference waveform.

Group Horizontal

Syntax `HORizontal:FASTframe:XZero:REF?`

Examples `HORIZONTAL:FASTFRAME:XZERO:REF1?` might return
`:HORIZONTAL:FASTFRAME:XZERO:REF 35.1000E-12`, indicating
that the Reference 1 waveform trigger sample occurred 35.1 ps after the trigger.

HORizontal:FASTframe:XZero:SELECTED:CH<x>? (Query Only)

This command sets or queries the time from the trigger to the trigger sample on the selected channel. CH<x> can be CH1, CH2, CH3, or CH4.

Group Horizontal

Syntax `HORizontal:FASTframe:XZero:SELECTED:CH<x>?`

Examples `HORIZONTAL:FASTFRAME:XZERO:SELECTED:CH1?` might return
`:HORIZONTAL:FASTFRAME:XZERO:SELECTED:CH1 35.1000E-12`, indicating
that the selected Channel 1 trigger sample occurred 35.1 ps after the trigger.

HORizontal:FASTframe:XZero:SELECTED:REF<x>? (Query Only)

This command sets or queries the time from the trigger to the trigger sample on the selected reference waveform. REF<x> can be REF1, REF2, REF3, or REF4.

Group Horizontal

Syntax `HORizontal:FASTframe:XZero:SELECTED:REF<x>?`

Examples `HORizontal:FASTframe:XZERO:SELECTED:REF1?` might return
`:HORIZONTAL:FASTFRAME:XZERO:SELECTED:REF1 35.1000E-12`,
 indicating that the selected Reference 1 waveform trigger sample occurred 35.1 ps
 after the trigger.

HORizontal:MAIn? (Query Only)

This query-only command returns the time per division of the time base. This command is equivalent to selecting Position/Scale from the Horiz/Acq menu.

Group Horizontal

Syntax `HORizontal:MAIn?`

Related Commands [HORizontal:MODE:SCALE](#)

Examples `HORIZONTAL:MAIN?` might return `:HORIZONTAL:MAIN:INTERPRATIO`
`1.0000;SCALE 40.0000E-9;POSITION 50.0000;SAMPLERATE`
`1.2500E+9;UNITS:STRING "s".`

HORizontal[:MAIn]:DELay:MODE

This command sets or queries the time base trigger delay mode. This command is equivalent to choosing Delay Mode On from the Horiz/Acq menu.

Group Horizontal

Syntax `HORizontal[:MAIn]:DELay:MODE {ON|OFF|<NR1>}`
`HORizontal[:MAIn]:DELay:MODE?`

Related Commands [HORizontal\[:MAIn\]:DELay:TIME](#)

Arguments `ON` enables the time base trigger delay mode.
`OFF` disables the time base trigger delay mode.
`<NR1> = 0` disables the time base trigger delay mode, any other value enables the
 time base trigger delay mode.

Examples `HORIZONTAL:DELAY:MODE ON` enables the time base trigger delay mode.

`HORIZONTAL:DELAY:MODE?` might return `:HORIZONTAL:DELAY:MODE 1`, indicating that the time base trigger delay mode is currently enabled.

HORizontal[:MAIn]:DELay:POSition

This command sets or queries the time base position when Horizontal Delay Mode is turned on. This command is equivalent to selecting Horizontal/Acquisition Setup from the Horiz/Acq menu and then entering a Ref Point value.

Group Horizontal

Syntax `HORizontal[:MAIn]:DELay:POSition <NR3>`
`HORizontal[:MAIn]:DELay:POSition?`

Related Commands [HORizontal\[:MAIn\]:DELay:TIME](#)

Arguments `<NR3>` is from 0 to ≈ 100 and is the percentage of the waveform that is displayed left of the center graticule.

NOTE. *The upper limit of the waveform position is slightly limited by a value that is determined from the record length (upper limit = $100 - 1/\text{record length}$).*

Examples `HORIZONTAL:DELAY:POSITION 5E+1` sets the time base trigger delay position to 50 percent.

`HORIZONTAL:DELAY:POSITION?` might return
`:HORIZONTAL:MAIN:DELAY:POSITION 5.0000E+01`,
 indicating that the time base trigger delay position is currently set to 50 percent.

HORizontal[:MAIn]:DELay:TIME

This command sets or queries the time base trigger delay time. This command is equivalent to selecting Position/Scale from the Horiz/Acq menu and choosing a value for Horiz Delay.

Group Horizontal

Syntax `HORizontal[:MAIn]:DELay:TIME <NR3>`
`HORizontal[:MAIn]:DELay:TIME?`

Related Commands [HORizontal\[:MAIn\]:DELay:MODE](#), [HORizontal\[:MAIn\]:DELay:POSition](#)

Arguments <NR3> specifies the time base trigger delay time setting, typically represented in seconds.

Examples `HORIZONTAL:DELAY:TIME 5.0E-3` sets the time base trigger delay time to 5 ms.
`HORIZONTAL:DELAY:TIME?` might return `:HORIZONTAL:MAIN:DELAY 5.0000E-05`, indicating that the time delay setting is 5 μ s.

HORizontal:MAIn:INTERPRatio? (Query Only)

This query-only command returns the Horizontal Main time base interpolation ratio. The ratio is useful for calculating the maximum sampling rate when users request sampling rates that are faster than the maximum rate specified by the acquisition hardware.

The default maximum sampling rate as specified by the acquisition hardware is 1.

An interpolation ratio other than 1 means that displayed and retrieved waveforms contain additional points that are derived through interpolation. At such times, the retrieved waveform data is actually 16-bit data. You should set the data width accordingly.

Group Horizontal

Syntax `HORizontal:MAIn:INTERPRatio?`

Examples `HORIZONTAL:MAIN:INTERPRATIO?` might return
`:HORIZONTAL:MAIN:INTERPRATIO 10.0`.

HORizontal[:MAIn]:POSition

Group Horizontal

Syntax `HORizontal[:MAIn]:POSition <NR3>`
`HORizontal[:MAIn]:POSition?`

Related Commands [HORizontal\[:MAIn\]:DELay:MODE](#)

Arguments <NR3> argument can range from 0 to ≈ 100 and is the percentage of the waveform that is displayed left of the center graticule.

NOTE. *The upper limit of the waveform position is slightly limited by a value that is determined from the record length (upper limit = $100 - 1/\text{record length}$).*

Examples `HORIZONTAL:MAIN:POSITION 5.000E+01` sets the horizontal position of the waveform such that 10 percent of the waveform is to the left of center of the screen.

`HORIZONTAL:MAIN:POSITION?` might return `:HORIZONTAL:MAIN:POSITION 5.0000E+01`, indicating that the horizontal position of the waveform on the screen is currently set to 50 percent.

HORizontal:MAIn:UNIts

This command sets or returns the units for the horizontal time base. It is equivalent to setting the `HORizontal:MAIn:UNIts:STRing`.

Group Horizontal

Syntax `HORizontal:MAIn:UNIts <STRing>`
`HORizontal:MAIn:UNIts?`

Related Commands [HORizontal:MAIn:UNIts:STRing](#)

Arguments <STRing> is the time base units string.

Examples `HORIZONTAL:MAIN:UNITS "LUM"` sets the time base multiplier to 5.5, the units to lumens and the time base units offset to 2.9.

`HORIZONTAL:MAIN:UNITS?` might return `:HORIZONTAL:MAIN:UNITS:STRING "lum"`.

HORizontal:MAIn:UNIts:STRing

This command sets or returns the units string for the horizontal time base.

Group	Horizontal
Syntax	<code>HORizontal:MAIn:UNIts:STRing <string></code> <code>HORizontal:MAIn:UNIts:STRing?</code>
Related Commands	HORizontal:MAIn:UNIts
Arguments	<string> is the time base units string.
Examples	<p><code>HORIZONTAL:MAIN:UNITS:STRING "LUM"</code> sets the units string for the time base trigger delay to lumens.</p> <p><code>HORIZONTAL:MAIN:UNITS:STRING?</code> might return <code>:HORIZONTAL:MAIN:UNITS:STRING "lum"</code>, indicating that the units string for the time base trigger delay is set to lumens.</p>

HORizontal:MODE

This command set or queries the horizontal mode. Auto mode is the factory default.

Group	Horizontal
Syntax	<code>HORizontal:MODE {AUTO CONStant MANuaL}</code> <code>HORizontal:MODE?</code>
Related Commands	HORizontal:MODE:AUTO:LIMITrecordlen , HORizontal:MODE:RECOrdlength , HORizontal:MODE:SAMPLERate , HORizontal:MODE:SCALE
Arguments	<p><code>AUTO</code> selects the automatic horizontal model. Auto mode attempts to keep record length constant as you change the time per division setting. Record length is read only.</p> <p><code>CONSTANT</code> selects the constant horizontal model. Constant mode attempts to keep sample rate constant as you change the time per division setting. Record length is read only.</p> <p><code>MANUAL</code> selects the manual horizontal model. Manual mode lets you change sample mode and record length. Time per division or Horizontal scale is read only.</p>

Examples `HORIZONTAL:MODE AUTO` sets the horizontal mode to auto.

`HORIZONTAL:MODE?` might return `:HORIZONTAL:MODE MANUAL`, indicating that the horizontal mode is manual.

HORizontal:MODE:AUTO:LIMITrecordlen

This command sets or queries the record length limit used by the auto horizontal mode.

Group Horizontal

Syntax `HORizontal:MODE:AUTO:LIMITrecordlen <NR1>`
`HORizontal:MODE:AUTO:LIMITrecordlen?`

Arguments `<NR1>` is the record length limit in samples.

Examples `HORIZONTAL:MODE:AUTO:LIMITRECORDLEN 1000` sets the record length limit to 1000 samples.

`HORIZONTAL:MODE:AUTO:LIMITRECORDLEN?` might return `:HORIZONTAL:MODE:AUTO:LIMITRECORDLEN 1000000`, indicating that the record length limit is set to 1,000,000 samples.

HORizontal:MODE:RECOrdlength

This command sets or queries the record length.

Group Horizontal

Syntax `HORizontal:MODE:RECOrdlength <NR1>`
`HORizontal:MODE:RECOrdlength?`

Arguments `<NR1>` is the record length in samples. Manual mode lets you change the record length, while the record length is read only for Auto and Constant mode.

Examples `HORIZONTAL:MODE:RECORDLENGTH 1000` sets the record length to 1000 samples.

HORIZONTAL:MODE:RECORDLENGTH? might return
:HORIZONTAL:MODEL:RECORDLENGTH 1000000, indicating that
the record length is set to 1,000,000 samples

HORizontal:MODE:SAMPLERate

This command sets or queries the sample rate.

Group Horizontal

Syntax HORizontal:MODE:SAMPLERate <NR1>
HORizontal:MODE:SAMPLERate?

Arguments <NR1> is the sample rate in samples per second.

Examples HORIZONTAL:MODE:SAMPLERATE 1e6 sets the sample rate to 1 million samples
per second.

HORIZONTAL:MODE:SAMPLERATE? might return
:HORIZONTAL:MODEL:SAMPLERATE 5.0000E+6, indicating that
the sample rate is set to 5 million samples per second.

HORizontal:MODE:SCALE

This command sets or queries the horizontal scale.

Group Horizontal

Syntax HORizontal:MODE:SCALE <NR1>
HORizontal:MODE:SCALE?

Arguments <NR1> is the horizontal scale in seconds per division. The horizontal scale is
read only for Manual mode.

Examples HORIZONTAL:MODE:SCALE 2e-9 sets the horizontal scale to 2 ns per division.

HORIZONTAL:MODE:SCALE? might return :HORIZONTAL:MODEL:SCALE
20.0000E-6, indicating that the horizontal scale is set to 10 μ s per division.

HORizontal:ROLL

This command sets or queries the Roll Mode status. Use Roll Mode when you want to view data at very slow sweep speeds. It is useful for observing data samples on the screen as they occur. This command is equivalent to selecting Horizontal/Acquisition Setup from the Horiz/Acq menu, selecting the Acquisition tab, and setting the Roll Mode to Auto or Off.

Group Horizontal

Syntax `HORizontal:ROLL {AUTO|OFF|ON}`
`HORizontal:ROLL?`

Arguments AUTO enables Roll Mode, if the time/division is set appropriately.
 OFF disables Roll Mode.
 ON enables Roll Mode, if the time/division is set appropriately.

Examples `HORIZONTAL:ROLL ON` enables Roll Mode.
`HORIZONTAL:ROLL?` might return `:HORIZONTAL:ROLL OFF`, indicating that the Roll Mode is disabled.

HORizontal:TIMESTAMP:CH<x>? (Query Only)

This query returns the horizontal timebase for the channel. The channel is specified by x. The value of x can range from 1 through 4.

Group Horizontal

Syntax `HORizontal:TIMESTAMP:CH<x>?`

Examples `HORIZONTAL:TIMESTAMP:CH1?` might return `:HORIZONTAL:TIMESTAMP:CH1 "timestamp not available"`, indicating that the timebase for the Channel 1 is not available.

HORizontal:TIMESTAMP:REF<x>? (Query Only)

This query returns the horizontal timebase for the reference waveform. The reference is specified by x. The value of x can range from 1 through 4.

Group Horizontal

Syntax HORIZONTAL:TIMESTAMP:REF<x>?

Examples HORIZONTAL:TIMESTAMP:REF1? might return :HORIZONTAL:TIMESTAMP:REF1 "timestamp not available", indicating that the timebase for the Reference 1 waveform is not available.

ID? (Query Only)

This query-only command returns identifying information about the instrument and related firmware.

Group Miscellaneous

Syntax ID?

Related Commands [*IDN?](#)

Examples ID? might return :TEK/DPO7104,CF:91.1CT,FV:4.0.0, indicating that the instrument model number is set to TEK/DPO7104, configured format is set to CF:91.1CT, and firmware version number is set to FV:4.0.0 .

*IDN? (Query Only)

This query-only command returns the instrument identification code.

Group Miscellaneous

Syntax *IDN?

Related Commands [ID?](#)

Examples *IDN? might return :TEKTRONIX,DPO7104,10000001,CF:91.1CT FV:01.00.912,, indicating the instrument model number, serial number, configured number, and firmware version number.

LIMit? (Query Only)

This query-only command returns all settings for the Limit commands.

NOTE. *The command works only if the LT Limit Test option is enabled.*

Group	Limit Test
Syntax	LIMit?
Examples	LIMIT? might return :LIMIT:BEEP 0;COMPARE:CH1 NONE;CH2 NONE;CH3 NONE;CH4 NONE;REF1 NONE;REF2 NONE;REF3 NONE;REF4 NONE;MATH1 NONE;MATH2 NONE;MATH3 NONE;MATH4 NONE;:LIMIT:HARDCOPY 0;STATE 0;TEMPLATE:DESTINATION REF1;SOURCE CH2;TOLERANCE:HORIZONTAL 40.0000E-3;VERTICAL 40.0000E-3;:LIMIT:SRQ 0;STOPONVIOLATION 0;SAVEWFM 0;SAVEWFM:FILENAME "C:/TekScope/waveforms/";:LIMIT:LOG 0;EMAIL 0;HIGHLIGHTHITS 1;LOCK 1.

LIMit:BEEP

This command causes the instrument to beep when the waveform data exceeds the limits set in the limit test (LIMit:STATE must be on).

NOTE. *The command works only if the LT Limit Test option is enabled.*

Group	Limit Test
Syntax	LIMit:BEEP {OFF ON <NR1>} LIMit:BEEP?
Related Commands	LIMit:STATE
Arguments	OFF argument disables the beep. ON argument enables the beep. <NR1> A 0 disables the beep, any other value enables the beep.

- Examples** `LIMIT:BEEP ON` causes a beep when any waveform data exceeds the limits specified in the limit test.
- `LIMIT:BEEP?` might return `:LIMIT:BEEP 0`, indicating that the instrument will not beep when waveform data exceeds the limits specified in the limit test.

LIMit:COMpare (No Query Form)

This command resets the Limit Test comparison template.

NOTE. *The command works only if the LT Limit Test option is enabled.*

- Group** Limit Test
- Syntax** `LIMit:COMpare {RESet}`
- Arguments** `RESet` resets the Limit template to “None.”
- Examples** `LIMIT:COMPARE RESET` sets the Limit template to None.

LIMit:COMpare:CH<x>

This command sets or queries the template against which to compare the waveform acquired from the channel specified by x. The template can be a waveform saved in any of the reference locations (REF1 through REF4) or none.

NOTE. *The command works only if the LT Limit Test option is enabled.*

- Group** Limit Test
- Syntax** `LIMit:COMpare:CH<x> {NONE|REF<x>}`
`LIMit:COMpare:CH<x>?`
- Arguments** `NONE` turns off template testing for the channel specified by `CH<x>`.
- `CH<x>` selects which channel waveform to use as the template against which to compare the waveforms acquired by the specified channel (`CH<x>`).

- Examples** `LIMIT:COMPARE:CH1 REF1` specifies REF1 as the template waveform against which to compare waveforms acquired using Channel 1.
- `LIMIT:COMPARE:CH2?` might return `:LIMIT:COMPARE:CH2 REF4`, indicating that the waveform acquired by Channel 2 is compared to the template waveform stored in REF4.

LIMit:COMpare:MATH<x>

This command sets or queries the template against which to compare the math waveform specified by *x*, which can be 1 through 4. The template can be a waveform saved in any of the reference locations (REF1 through REF4) or none.

NOTE. *The command works only if the LT Limit Test option is enabled.*

- Group** Limit Test
- Syntax** `LIMit:COMpare:MATH<x> {NONE|REF<x>}`
`LIMit:COMpare:MATH<x>?`
- Arguments** `NONE` argument turns off template testing for the math waveform specified by `MATH<x>`.
- `REF<x>` argument selects which reference waveform to use as the template against which to compare the math waveform specified by `MATH<x>`.
- Examples** `LIMIT:COMPARE:MATH1 REF1` specifies REF1 as the template waveform against which to compare Math 1 waveform.
- `LIMIT:COMPARE:MATH2?` might return `:LIMIT:COMPARE:MATH2 REF4`, indicating that the Math 2 waveform is compared to the template waveform stored in REF4.

LIMit:COMpare:REF<x>

This command sets or queries the template against which to compare the reference waveform specified by *x*, which can be 1 through 4. The template can be a waveform saved in any of the reference locations (REF1 through REF4) or none.

NOTE. *The command works only if the LT Limit Test option is enabled.*

Group	Limit Test
Syntax	LIMit:COMpare:REF<x> {NONE REF<x>} LIMit:COMpare:REF<x>?
Arguments	NONE argument turns off template testing for the reference waveform specified by REF<x>. REF<x> argument selects which reference waveform to use as the template against which to compare the reference waveform specified by REF<x>.
Examples	LIMIT:COMPARE:REF2 REF1 specifies REF2 as the template waveform against which to compare Reference 1. LIMIT:COMPARE:REF2? might return :LIMIT:COMPARE:REF2 REF4, indicating that the Reference 4 waveform is compared to the template waveform stored in REF2.

LIMit:EMail

This command sets or queries whether an e-mail is generated when the source waveform data exceeds the limits specified for the limit test.

NOTE. *The command works only if the LT Limit Test option is enabled.*

Group	Limit Test
Syntax	LIMit:EMail {OFF ON <NR1>} LIMit:EMail?
Arguments	OFF disables generating an e-mail when the source waveform exceeds the test limits. ON enables generating an e-mail when the source waveform exceeds the test limits. <NR1> = 0 disables the e-mail feature so that when the source waveform data exceeds the limits set by the limit test, an e-mail is not generated; any other value enables the e-mail feature so that when the source waveform data exceeds the limits set by the limit test, an e-mail is generated. For queries, a 0 is returned if the e-mail feature is off; a 1 is returned if the e-mail feature is on.

Examples `LIMIT:EMAIL 1` enables the e-mail feature so that when the source waveform data exceeds the limits set by the limit test, an e-mail is generated.

`LIMIT:EMAIL?` might return `:LIMIT:EMAIL 0`, indicating that the e-mail feature is disabled and that an e-mail will not be generated when the source waveform exceeds the limits of the limit test.

LIMit:HARDCopy

This command sets or queries whether a hard copy operation is executed on the waveform when any waveform data exceeds the limit set in the limit test. LIMit:STATE must be set to ON for the hard copy operation to execute. The hard copy operation uses the port and prints in the format and layout specified by the HARDCopy commands.

NOTE. *The command works only if the LT Limit Test option is enabled.*

Group Limit Test

Syntax `LIMit:HARDCopy {OFF|ON|<NR1>}`
`LIMit:HARDCopy?`

Related Commands [HARDCopy:FILENAME](#), [HARDCopy:PORT](#), [LIMit:STATE](#)

Arguments OFF disables the hard copy operation.

ON turns on the hard copy operation for the waveform when any waveform data exceeds the limits set by the limit test.

<NR1> = 0 disables the hard copy operation; any other value turns on the hard copy operation for the waveform when any waveform data exceeds the limits set by the limit test. For queries, a 0 is returned if the hard copy operation is off; a 1 is returned if the hard copy operation is on.

Examples `LIMIT:HARDCOPY ON` specifies that the hard copy operation will occur for the waveform when any waveform data exceeds the limits specified in the limit test.

`LIMIT:HARDCOPY?` might return `:LIMIT:HARDCOPY 0`, indicating that the hardcopy operation is disabled.

LIMit:HIGHLIGHTHits

This command sets or queries whether violation highlighting occurs when limit testing is active, and, if the RESET argument is set, clears the highlighting.

NOTE. *The command works only if the LT Limit Test option is enabled.*

Group Limit Test

Syntax LIMit:HIGHLIGHTHits {OFF|ON|<NR1>}
LIMit:HIGHLIGHTHits?

Arguments OFF disables violation highlighting when limit testing is active.
ON enables violation highlighting when limit testing is active.
<NR1> = 0 disables the violation highlighting when limit testing is active; any other value enables the violation highlighting feature when limit testing is active. For queries, a 0 is returned if the violation highlighting feature is off; a 1 is returned if the violation highlighting feature is on.

Examples LIMIT:HIGHLIGHTHITS 1 enables the violation highlighting when the limit testing is active.
LIMIT:HIGHLIGHTHITS? might return :LIMIT:HIGHLIGHTHITS 0, indicating that the violation highlighting feature is disabled.

LIMit:HIGHLIGHTHits:RESet (No Query Form)

This command resets the hits highlighting for limit testing.

NOTE. *The command works only if the LT Limit Test option is enabled.*

Group Limit Test

Syntax LIMit:HIGHLIGHTHits:RESet

Examples LIMIT:HIGHLIGHTHITS:RESET resets the violation highlighting displayed while limit testing.

LIMit:LOCK

This command sets or queries whether vertical scaling and positioning affect both source and template for template comparison pairs.

NOTE. *The command works only if the LT Limit Test option is enabled.*

Group	Limit Test
Syntax	LIMit:LOCK {OFF ON <NR1>} LIMit:LOCK?
Arguments	OFF disables the lock feature. ON enables the lock feature. <NR1> = 0 disables the lock feature; any other value enables the lock feature. For queries, a 0 is returned if the lock feature is off; a 1 is returned if the lock feature is on.
Examples	LIMIT:LOCK ON enables the lock feature so that vertical scaling and positioning affect both the source and the template for template comparison pairs. LIMIT:LOCK? might return :LIMIT:LOCK 0, indicating that the lock feature is disabled.

LIMit:LOG

This command sets or queries whether a log file is saved when the source waveform data exceeds the test limits.

NOTE. *The command works only if the LT Limit Test option is enabled.*

Group	Limit Test
Syntax	LIMit:LOG {OFF ON <NR1>} LIMit:LOG?
Arguments	OFF disables saving a log file when the source waveform exceeds the test limits. ON enables saving a log file when the source waveform exceeds the test limits.

<NR1>= 0 disables the save log file feature so that when the source waveform data exceeds the limits set by the limit test, a log file is not saved; any other value enables the save log file feature so that when the source waveform data exceeds the limits set by the limit test, a log file is saved. For queries, a 0 is returned if the save log file feature is off; a 1 is returned if the save log file feature is on.

Examples `LIMIT:LOG 1` enables the save log file feature so that when the source waveform data exceeds the limits set by the limit test, a log file is saved.

`LIMIT:LOG?` might return `:LIMIT:LOG 0`, indicating that the save log file feature is disabled and that a log file will not be saved when the source waveform exceeds the limits of the limit test.

LIMit:SAVEWFM

This command sets or queries whether the source waveform is saved when the source waveform data exceeds the test limits.

NOTE. *The command works only if the LT Limit Test option is enabled.*

Group Limit Test

Syntax `LIMit:SAVEWFM {OFF|ON|<NR1>}`
`LIMit:SAVEWFM?`

Arguments `OFF` disables saving the source waveform when it exceeds the test limits.

`ON` enables saving the source waveform when it exceeds the test limits.

<NR1> = 0 disables the save waveform feature so that when the source waveform data exceeds the limits set by the limit test, the source waveform is not saved; any other value enables the save waveform feature so that when the source waveform data exceeds the limits set by the limit test, the source waveform is saved. For queries, a 0 is returned if the save waveform feature is off; a 1 is returned if the save waveform feature is on.

Examples `LIMIT:SAVEWFM 1` enables the save waveform feature so that when the source waveform data exceeds the limits set by the limit test, the source waveform is saved.

`LIMIT:SAVEWFM?` might return `:LIMIT:SAVEWFM 0`, indicating that the save waveform feature is disabled and that the source waveform will not be saved when it exceeds the limits of the limit test.

LIMit:SAVEWFM:FILENAME

This command sets or queries the path where waveforms or log files will be saved when the waveform data exceeds the limits set by the limit test.

NOTE. *The command works only if the LT Limit Test option is enabled.*

Group	Limit Test
Syntax	LIMit:SAVEWFM:FILENAME {<string>} LIMit:SAVEWFM:FILENAME?
Arguments	<string> argument is a string containing the path of where the waveform will be saved.
Examples	LIMIT:SAVEWFM:FILENAME "C:/TekScope/waveforms" sets the path where a waveform will be saved when it exceeds the limits of the limit test. LIMIT:SAVEWFM:FILENAME? might return :LIMIT:SAVEWFM:FILENAME "C:/TekScope/waveforms", indicating the path where the waveform will be saved when it exceeds the limits of the limit test.

LIMit:SRQ

This command sets or queries whether a Service Request Interrupt (SRQ) is generated when the waveform data falls outside of the test limits.

NOTE. *The command works only if the LT Limit Test option is enabled.*

Group	Limit Test
Syntax	LIMit:SRQ {OFF ON <NR1>} LIMit:SRQ?
Arguments	OFF disables generation of an SRQ when the waveform data falls outside of the limits set by the limit test. ON enables generation of an SRQ when the waveform data falls outside of the limits set by the limit test. If an SRQ is generated, the instrument sends the status event "Limit testing failed."

<NR1> = 0 disables sending an SRQ when the waveform data falls outside of the limits set by the limit test; any other value enables generation of an SRQ when the waveform data falls outside of the limits set by the limit test. For queries, a 0 is returned if SRQ is off; a 1 is returned if the SRQ is on.

Examples `LIMIT:SRQ 1` specifies that an SRQ will be generated when the waveform data falls outside of the limits set by the limit test. If an SRQ is generated, an status event of “Limit testing failed” is output.

`LIMIT:SRQ?` might return `:LIMIT:SRQ 0`, indicating that an SRQ will not be generated when the waveform data falls outside of the limits set by the limit test.

LIMit:STATE

This command sets limit testing on or off or queries whether limit testing is in effect.

NOTE. *The command works only if the LT Limit Test option is enabled.*

Group Limit Test

Syntax `LIMit:STATE {OFF|ON|<NR1>}`
`LIMit:STATE?`

Arguments `OFF` disables limit testing.
`ON` turns on limit testing of waveforms.
`<NR1> = 0` disables the limit testing operation; any other value turns on limit testing of waveforms. For queries, a 0 is returned if limit testing is off; a 1 is returned if the limit testing is on.

Examples `LIMIT:STATE ON` specifies that limit testing of waveforms is on.
`LIMIT:STATE?` might return `:LIMIT:STATE 0`, indicating that the limit testing of waveforms is off.

LIMit:STATus? (Query Only)

This command queries the state of limit testing.

NOTE. *The command works only if the LT Limit Test option is enabled.*

Group	Limit Test
Syntax	LIMit:STATUS?
Examples	LIMIT:STATUS? might return :LIMIT:STATUS PASS, indicating that the limit test is passing.

LIMit:STOPOnviolation

This command sets or queries whether acquisitions are stopped when the waveform data exceeds the test limits.

NOTE. *The command works only if the LT Limit Test option is enabled.*

Group	Limit Test
Syntax	LIMit:STOPOnviolation {OFF ON <NR1>} LIMit:STOPOnviolation?
Arguments	<p>OFF disables the stop on violation feature.</p> <p>ON enables the stop on violation feature so that when the waveform data exceeds the limits set by the limit test, acquisitions are stopped.</p> <p><NR1>= 0 disables the stop on violation feature; any other value enables the stop on violation feature so that when the waveform data exceeds the limits set by the limit test, acquisitions are stopped. For queries, a 0 is returned if the stop on violation feature is off; a 1 is returned if the stop on violation feature is on.</p>
Examples	<p>LIMIT:STOPONVIOLATION 1 enables the stop on violation feature so that when the waveform data exceeds the limits set by the limit test, acquisitions are stopped.</p> <p>LIMIT:STOPONVIOLATION? might return :LIMIT:STOPONVIOLATION 0, indicating that the stop on violation feature is disabled.</p>

LIMit:TEMPLate:DESTination

This command sets or queries the destination reference waveform that the [LIMit:TEMPLate:STORe](#) command will use.

NOTE. *The command works only if the LT Limit Test option is enabled.*

Group	Limit Test
Syntax	LIMit:TEMPLate:DESTination {REF1 REF2 REF3 REF4} LIMit:TEMPLate:DESTination?
Arguments	REF<x> specifies the reference waveform destination in which the template waveform is to be stored.
Examples	LIMIT:TEMPLATE:DESTINATION REF2 specifies that the template waveform referred to with the LIMit:TEMPLate:STORe command is stored as the REF2 waveform. LIMIT:TEMPLATE:DESTINATION? might return :LIMIT:TEMPLATE:DESTINATION REF3, indicating the REF3 waveform is used to store the template waveform referred to with the LIMit:TEMPLate:STORe command.

LIMit:TEMPLate:SOURce

This command sets or queries the channel, math waveform, or reference waveform that the LIMit:TEMPLate:STORe command will use.

NOTE. *The command works only if the LT Limit Test option is enabled.*

Group	Limit Test
Syntax	LIMit:TEMPLate:SOURce {CH1 CH2 CH3 CH4 MATH1 MATH2 MATH3 MATH4 REF1 REF2 REF3 REF4} LIMit:TEMPLate:SOURce?
Arguments	CH<x> specifies the channel used by the LIMit:TEMPLate:STORe command. Math<x> specifies the math waveform used by the LIMit:TEMPLate:STORe command. REF<x> specifies the reference waveform used by the LIMit:TEMPLate:STORe command.
Examples	LIMIT:TEMPLATE:SOURCE CH2 specifies that the template waveform for limit tests is the waveform currently acquired using Channel 2. LIMIT:TEMPLATE:SOURCE? might return :LIMIT:TEMPLATE:SOURCE MATH3, indicating that the template waveform for limit tests is the waveform currently stored as the Math 3 waveform.

LIMit:TEMPLate:STORE (No Query Form)

This command (no query form) saves the specified source waveform to the specified reference or file name.

NOTE. *The command works only if the LT Limit Test option is enabled.*

Group Limit Test

Syntax LIMit:TEMPLate:STORE <wfm>,{REF<x>|<file path>}

Arguments <wfm> specifies the waveform that will be saved as the template. The source of the waveform can be CH<x> (where x is 1 through 4 for four channel instruments), MATH<x>, or Ref<x> (where x is 1 through 4).

REF<x> specifies a reference location in which the template waveform will be stored. The reference waveform specified by x, which can be 1 through 4.

<file path> specifies a file path where the template waveform will be stored. This argument is a quoted string.

Examples LIMIT:TEMPLATE:STORE CH3,REF1 creates a template reference waveform, REF1, using Channel 3 as its source.

LIMIT:TEMPLATE:STORE CH1,"TEMPLATE.WFM" creates a template reference waveform, template.wfm, using Channel 1 as the source.

LIMit:TEMPLate:TOLerance:HORizontal

This command sets or queries the amount, in units of horizontal divisions, by which the source waveform is varied horizontally when creating the destination waveform.

NOTE. *The command works only if the LT Limit Test option is enabled.*

Group Limit Test

Syntax LIMit:TEMPLate:TOLerance:HORizontal <NR3>
LIMit:TEMPLate:TOLerance:HORizontal?

Arguments	<NR3> is the amount, in horizontal divisions, by which the current source waveform is allowed to deviate from the template waveform without exceeding the limits set in the limit test. The range is 0 to 5 divisions.
Examples	<p>LIMIT:TEMPLATE:TOLERANCE:HORIZONTAL 1.0 specifies that the current waveform is close enough to the template waveform if it is within ± 1.0 horizontal division.</p> <p>LIMIT:TEMPLATE:TOLERANCE:HORIZONTAL? might return :LIMIT:TEMPLATE:TOLERANCE:HORIZONTAL 2.0, indicating that the current waveform is close enough to the template waveform if it is within ± 2.0 horizontal divisions.</p>

LIMit:TEMPlate:TOLerance:VERTical

This command sets or queries the amount, in units of vertical divisions, by which the source waveform is varied vertically when creating the destination waveform.

NOTE. *The command works only if the LT Limit Test option is enabled.*

Group	Limit Test
Syntax	LIMit:TEMPlate:TOLerance:VERTical <NR3> LIMit:TEMPlate:TOLerance:VERTical?
Arguments	<NR3> is the amount, in vertical divisions, by which the current source waveform is allowed to deviate from the template waveform without exceeding the limits set in the limit test. The range is 0 to 5 divisions.
Examples	<p>LIMIT:TEMPLATE:TOLERANCE:VERTICAL 1.0 specifies that the current waveform is close enough to the template waveform if it is within ± 1.0 vertical division.</p> <p>LIMIT:TEMPLATE:TOLERANCE:VERTICAL? might return :LIMIT:TEMPLATE:TOLERANCE:VERTICAL 2.0, indicating that the current waveform is close enough to the template waveform if it is within ± 2.0 vertical divisions.</p>

LOCK

This command enables or disables all front-panel buttons and knobs, including the touch screen. There is no front panel equivalent.

Group Miscellaneous

Syntax LOCK {ALL|NONE}
LOCK?

Related Commands [UNLock](#)

Arguments ALL disables all front panel controls.
NONE enables all front panel controls. This is equivalent to the UNLock ALL command.
If the instrument is in the Remote With Lockout State (RWLS), the LOCK NONE command has no effect. For more information, see the ANSI/IEEE Std 488.1-1987 Standard Digital Interface for Programmable Instrumentation, section 2.8.3 on RL State Descriptions.

Examples LOCK ALL locks the front panel controls.
LOCK? might return :LOCK NONE, indicating that the front panel controls are enabled by this command.

*LRN? (Query Only)

This query-only command returns the commands that list the instrument settings (except for configuration information for the calibration values), allowing you to record or “learn” the current instrument settings. You can use these commands to return the instrument to the state it was in when you made the *LRN? query. This command is identical to the [SET?](#) Command.

Group Miscellaneous

Syntax *LRN?

Related Commands [SET?](#)

Examples *LRN? might return the following response: :ACQUIRE:STOPAFTER
RUNSTOP;STATE 1;MODE SAMPLE;NUMENV
10;NUMAVG 16;NUMSAMPLES 16000;SAMPLINGMODE
IT;:FASTACQ:STATE 0;:APPLICATION:GPKNOB1:ACTIVE
0;:APPLICATION:GPKNOB2:ACTIVE 0;:APPLICATION:WINDOW:HEIGHT
236;WIDTH 640;:APPLICATION:SCOPEAPP:STATE

```
RUNNING;WINDOW FULLSCREEN;:APPLICATION:EXTAPP:STATE
NOTRUNNING;:VARIABLE:EVENT:REPORT BOTH;:AUXOUT:SOURCE
ATRIGGER;EDGE FALLING;:CMDBATCH 1;:HEADER 1;:LOCK
NONE;:ROSC:SOURCE INTERNAL;:VERBOSE 1;:ALIAS:STATE
0;:DISPLAY:CLOCK 1;COLOR:PALETTE:IMAGEVIEW
TEMPERATURE;RECORDVIEW NORMAL;USER:GRATICULE 165,50,15;CH1
180,50,100;CH2 300,50,100;CH3 60,50,100;CH4 240,50,100;REF1
0,90,0;REF2 0,90,100;REF3 60,90,100;REF4 240,90,100;MATH1
160,50,100;MATH2 40,60,100;MATH3 120,60,100;MATH4
195,50,100;HISTOGRAM 320,50,100;CARET 150,50,100;MASK
0,25,75;MASKHIGHLIGHT 140,50,100;:DISPLAY:COLOR:MATHCOLOR
DEFAULT.
```

MARK

This commands moves to the next or previous reference mark, or it queries the current mark setup.

Group Search and Mark

Syntax MARK {NEXT|PREVIOUS}
MARK?

Arguments NEXT moves to the next reference mark on the right.
PREVIOUS moves to the next reference mark on the left.

Examples MARK NEXT moves to the next reference mark on the right.
MARK? might return :MARK:SELECTED:STATE 1;START
64.4000;FOCUS 64.4000;ZOOM:POSITION 64.4000;SCALE
-3.1416;:MARK:SELECTED:END 64.4000;SOURCE
CH1;OWNER SEARCH1;MARKSINCOLUMN 1;LABEL "+Edge:
Level=420.32mV";:MARK:FREE 1011;TOTAL 13, which is the current
mark setup.

MARK:CREATE (No Query Form)

This command creates a mark on a specified waveform or all waveforms in a column.

Group Search and Mark

Syntax MARK:CREATE {CH<x> | MATH<x> | REF<x> | COLUMN}

Arguments CH<x> creates the mark on a channel waveform, where <x> is the channel number.
 MATH<x> creates the mark on the math waveform.
 REF<x> creates the mark on a reference waveform, where <x> is the reference waveform number.
 COLUMN creates marks on all waveforms in the current zoom pixel column.

Examples MARK:CREATE CH1 creates a mark on Channel 1.

MARK:DELEte (No Query Form)

This command deletes a mark on a particular waveform, all waveforms in a column, the selected mark, or all marks.

Group Search and Mark

Syntax MARK:DELEte {CH<x> | MATH<x> | SELECTED | REF<x> | ALL | COLUMN}

Arguments CH<x> deletes the mark on a channel waveform, where <x> is the channel number.
 MATH<x> deletes the mark on the math waveform.
 SELECTED deletes the mark on the selected waveform.
 REF<x> deletes the mark on a reference waveform, where <x> is the reference waveform number.
 ALL deletes all marks on all waveforms.
 COLUMN deletes marks on all waveforms in the current zoom pixel column.

Examples MARK:DELETE CH1 deletes the mark on the Channel 1 waveform.

MARK:FREE? (Query Only)

This query-only command returns how many marks are available for use.

Group Search and Mark

Syntax MARK:FREE?

Examples MARK:FREE? might return :MARK:FREE 1011, indicating there are 1,011 marks available for use.

MARK:SElected:END? (Query Only)

This query-only command returns the end of the selected mark, 0 to 100% of the waveform.

Group Search and Mark

Syntax MARK:SElected:END?

Examples MARK:SELECTED:END? might return :MARK:SELECTED:END 93.0000, indicating that the selected mark is at 93% of the waveform.

MARK:SElected:FOCUS? (Query Only)

This query-only command returns the focus of the selected mark, 0 to 100% of the waveform.

Group Search and Mark

Syntax MARK:SElected:FOCUS?

Examples MARK:SELECTED:FOCUS? might return :MARK:SELECTED:FOCUS 50.0000, indicating that the selected mark is at 50% of the waveform.

MARK:SElected:LABel

This command sets or queries the label for the selected mark.

Group Search and Mark

Syntax MARK:SElected:LABel <QString>
MARK:SElected:LABel?

Arguments <QString> is the quoted string label for the mark.

Examples MARK:SELECTED:LABEL "Test 42.3" sets the selected mark to a User mark and changes the mark description to Test 42.3.

MARK:SELECTED:LABEL? might return :MARK:SELECTED:LABEL "+Edge: level=420.32mV", indicating that the label description for the selected mark is +Edge: level=420.32mV.

MARK:SELEcted:MARKSINCOLumn? (Query Only)

This query-only command returns the number of marks in the current zoom pixel column.

Group Search and Mark

Syntax MARK:SELEcted:MARKSINCOLumn?

Arguments MARK:SELEcted:MARKSINCOLumn? might return :MARK:SELEcted:MARKSINCOLumn 1, indicating there is 1 mark in the pixel column.

MARK:SELEcted:OWNer? (Query Only)

This query-only command returns the owner of the selected mark.

Group Search and Mark

Syntax MARK:SELEcted:OWNer?

Examples MARK:SELEcted:OWNER? might return: :MARK:SELEcted:OWNER SEARCH1, indicating that the selected mark is a Search1 mark.

MARK:SELEcted:SOURCE? (Query Only)

This query-only command returns the source waveform for the selected mark.

Group Search and Mark

Syntax MARK:SElected:SOURCE?

Examples MARK:SELECTED:SOURCE? might return :MARK:SELECTED:SOURCE CH2, indicating that Channel 2 is the selected mark source.

MARK:SElected:STARt? (Query Only)

This query-only command returns the starting point of the selected mark, 0 to 100% of the waveform.

Group Search and Mark

Syntax MARK:SElected:STARt?

Examples MARK:SELECTED:STARt? might return :MARK:SELECTED:STARt 5.8000, indicating that the selected mark start location is 5.8% of the waveform.

MARK:SElected:STATE

This command sets or queries the on or off state of the selected mark. The selected mark is at or near the center of the display. If you press the Set/Clear button, this mark will disappear.

Group Search and Mark

Syntax MARK:SElected:STATE {<NR1>|OFF|ON}
MARK:SElected:STATE?

Arguments OFF argument disables selected mark.

ON argument enables the selected mark.

<NR1>= 0 disables the selected mark; any other value enables the selected mark. For queries, a 0 is returned if the selected mark state is off; a 1 is returned if the selected mark state is on.

Examples MARK:SELECTED:STATE ON turns the selected mark state on.

MARK:SELECTED:STATE? might return :MARK:SELECTED:STATE 0, indicating the selected mark state is off.

MARK:SElected:ZOOM:POSITION? (Query Only)

This query-only command returns the position of the selected mark, of the zoom overview window. If the return value is less than zero then the zoom scale will not be changed when Next or Prev makes this the selected mark.

Group Search and Mark

Syntax MARK:SElected:ZOOM:POSITION?

Examples MARK:SELECTED:ZOOM:POSITION? might return :MARK:SELECTED:ZOOM:POSITION 27.7000, indicating that the position is 27.7%.

MARK:SElected:ZOOM:SCALE? (Query Only)

This query-only command returns the scale of the selected mark of the zoom overview window. The returned value might be < 0 (for example from Search), which means that the zoom scale will not be changed when Next or Prev makes this the selected mark.

Group Search and Mark

Syntax MARK:SElected:ZOOM:SCALE?

Examples MARK:SELECTED:ZOOM:SCALE? might return :MARK:SELECTED:ZOOM:SCALE 5.0, indicating that the zoom scale value 5.0 will be used when a mark is the selected mark.

MARK:TOTAL? (Query Only)

This query-only command returns how many marks are currently in use.

Group Search and Mark

Syntax MARK:TOTAL?

Examples MARK:TOTAL? might return :MARK:TOTAL 210, indicating that 210 marks are in use.

MASK? (Query Only)

This query-only command returns the states of all settable mask parameters.

Group Mask

Syntax MASK?

Examples MASK? might return the following response: :MASK:FILTER 0;AUTOADJUST 0;AUTOADJUST:HDELTA 10;VDELTA 10;:MASK:AUTOSET:AUTOADJUST 1;HPOS 1;HSCALE 1;MODE MANUAL;OFFSETADJ 1;TRIGGER 1;VPOS 1;VSCALE 1;STANDARD NONE;USER:ONE 0.0000;ZERO 0.0000;TYPE NORMALIZED;:MASK:SOURCE CH1;COUNT:FAILURES 0;HITS 0;SEG1: 3A 4D 41 53 4B 3A 46 49 4C 54 45 52 20 30 3B 41 55 54 4F 41 44 4A 55 53 54 3A 48 44 45 4C 54 41 20 31 30 3B 56 44 45 4C 54 41 20 31 30 3B 3A 4D 41 53 4B 3A 41 55 54 4F 53 45 54 3A 41 55 54 4F 41 44 4A 55 53 54 20 31 3B 48 50 4F 53 20 31 3B 48 53 43 41 4C 45 20 31 3B 4D 4F 44 45 20 4D 41 4E 55 41 4C 3B 4F 46 46 53 45 54 41 44 4A 20 31 3B 54 52 49 47 47 45 52 20 31 3B 56 50 4F 53 20 31 3B 56 53 43 41 4C 45 20 31 3B 53 54 41 4E 44 41 52 44 20 4E 4F 4E 45 3B 55 53 45 52 3A 4F 4E 45 20 30 2E 30 30 30 30 3B 5A 45 52 4F 20 30 2E 30 30 30 3B 54 59 50 45 20 4E 4F 52 4D 41 4C 49 5A 45 44 3B 3A 4D 41 53 4B 3A 53 4F 55 52 43 45 20 43 48 31 3B 43 4F 55 4E 54 3A 46 41 49 4C 55 52 45 53 20 30 3B 48 49 54 53 20 30 3B 53 45 47 31 3A mask? :MASK:FILTER 0;AUTOADJUST 0;AUTOADJUST:HDELTA 10;VDELTA 10;:MASK:AUTOSET:AUTOADJUST 1;HPOS 1;HSCALE 1;MODE MANUAL;OFFSETADJ 1;TRIGGER 1;VPOS 1;VSCALE 1;STANDARD NONE;USER:ONE 0.0000;ZERO 0.0000;TYPE NORMALIZED;:MASK:SOURCE CH1;COUNT:FAILURES 0;HITS 0.

MASK:AUTOAdjust

This command optimizes or queries the signal position within the mask to minimize hits. It sets a mode so that the MASK:SOURCE waveform is compared against the mask and is shifted up, down, left, or right to minimize the hits.

Group Mask

Syntax MASK:AUTOAdjust {ON|OFF|<NR1>}
MASK:AUTOAdjust?

- Arguments** ON enables the autoadjust function.
OFF disables the autoadjust function.
<NR1> = 0 disables the autoadjust function; any other value enables it.
- Examples** MASK:AUTOADJUST ON enables the autoadjust function.
MASK:AUTOADJUST? might return :MASK:AUTOADJUST 1, indicating that the autoadjust function is enabled.

MASK:AUTOAdjust:HDELTA

This command sets or returns how far autofit searches horizontally.

Autofit moves the waveform vertically and/or horizontally to reduce the number of hits within a given mask. If infinite or variable persistence is enabled, these movements will clear any persistent data. If Autofit makes frequent adjustments, there might be very little or even no persistent data displayed.

- Group** Mask
- Syntax** MASK:AUTOAdjust:HDELTA {<NR3>}
MASK:AUTOAdjust:HDELTA?
- Arguments** <NR3> is a floating point number that represents a percent of a division.
- Examples** MASK:AUTOADJUST:HDELTA 0.6 sets the horizontal autofit search to 0.6 division.
MASK:AUTOADJUST:HDELTA? might return :MASK:AUTOADJUST:HDELTA 2, indicating that the horizontal autofit search is set to 2 divisions.

MASK:AUTOAdjust:VDELTA

This command sets or returns how far autofit searches vertically.

Autofit moves the waveform vertically and/or horizontally to reduce the number of hits within a given mask. If infinite or variable persistence is enabled, these movements will clear any persistent data. If Autofit makes frequent adjustments, there might be very little or even no persistent data displayed.

- Group** Mask

Syntax MASK:AUTOAdjust:VDELTA {<NR3>}
 MASK:AUTOAdjust:VDELTA?

Arguments <NR3> is a floating point number that represents a percent of a division.

Examples MASK:AUTOADJUST:VDELTA 0.6 sets the vertical autofit search to 0.6 of a division.
 MASK:AUTOADJUST:VDELTA? might return :MASK:AUTOADJUST:VDELTA 2, indicating that the vertical autofit search is set to 2 divisions.

MASK:AUTOSet:AUTOAdjust

This command sets or returns whether the instrument settings are automatically matched to signal characteristics and specific mask requirements. It controls what happens at the end of a mask autose. If ON, the horz/vert auto adjustment is run ONCE to potentially improve the result of mask autose.

This command, like all the MASK:AUTOSET commands, affects only an autose on a standard mask, not the general instrument autose function.

Group Mask

Syntax MASK:AUTOSet:AUTOAdjust {ON|OFF|<NR1>}
 MASK:AUTOSet:AUTOAdjust?

Arguments ON enables the autose:autoadjust function.
 OFF disables the autose:autoadjust function.
 <NR1> = 0 disables the autose:autoadjust function; any other value enables it.

Examples MASK:AUTOSET:AUTOADJUST ON enables the autose autoadjust function.
 MASK:AUTOSET:AUTOADJUST? might return :MASK:AUTOSET:AUTOADJUST 1, indicating that the autose:autoadjust function is enabled.

MASK:AUTOSet:HPOS

This command controls whether the autose algorithm will attempt to change the horizontal position of the signal while attempting to do a mask autose. The default is ON.

This command, like all the MASK:AUTOSET commands, affects only an autosest on a standard mask, not the general instrument autosest function.

Group	Mask
Syntax	MASK:AUTOSet:HPOS {ON OFF <NR1>} MASK:AUTOSet:HPOS?
Arguments	ON enables the autosest:hpos function. OFF disables the autosest:hpos function. <NR1> = 0 disables the autosest:hpos function; any other value disables enables it.
Examples	MASK:AUTOSET:HPOS ON enables the autosest:hpos function. MASK:AUTOSET:HPOS? might return :MASK:AUTOSET:HPOS 1, indicating that the autosest:hpos function is enabled.

MASK:AUTOSet:HSCALE

This command controls whether the autosest algorithm will attempt to change the horizontal scale while attempting a mask autosest.

This command, like all the MASK:AUTOSET commands, affects only an autosest on a standard mask, not the general instrument autosest function.

Group	Mask
Syntax	MASK:AUTOSet:HSCALE {ON OFF <NR1>} MASK:AUTOSet:HSCALE?
Arguments	ON enables the autosest:hscale function. OFF disables the autosest:hscale function. <NR1> = 0 disables the autosest:hscale function; any other value enables it.
Examples	MASK:AUTOSET:HSCALE ON enables the autosest:hscale function. MASK:AUTOSET:HSCALE? might return :MASK:AUTOSET:HSCALE 1, indicating that the autosest:hscale function is enabled.

MASK:AUTOSet:MODE

This command controls whether a mask autosegment will be automatically done after a standard mask is selected. The autosegment will never happen if the standard mask is selected from GPIB, since a “SET?” sent back to the oscilloscope should not perform a mask autosegment.

The default value is: manual.

This command, like all the MASK:AUTOSET commands, affects only an autosegment on a standard mask, not the general instrument autosegment function.

Group Mask

Syntax MASK:AUTOSet:MODE {MANua1|AUTO}
MASK:AUTOSet:MODE?

Arguments MANua1 mask autosegment is set manually.
AUTO mask autosegment is set automatically.

Examples MASK:AUTOSET:MODE AUTO sets the mask autosegment manually.
MASK:AUTOSET:MODE? might return :MASK:AUTOSET:MODE MANUAL, indicating that the mask autosegment is set manually.

MASK:AUTOSet:OFFSETAdj

This command sets mask autosegment not to enforce the rule that, for pulse standards, require 0 V to be in a certain place in the mask. Instead, mask autosegment will attempt to measure the DC offset in the signal and use oscilloscope offset or position controls to compensate for the DC offset in the signal.

This command, like all the MASK:AUTOSET commands, affects only an autosegment on a standard mask, not the general instrument autosegment function.

Group Mask

Syntax MASK:AUTOSet:OFFSETAdj {ON|OFF|<NR1>}
MASK:AUTOSet:OFFSETAdj?

Arguments ON enables the autosegment:offsetadj function.
OFF disables the autosegment:offsetadj function.

<NR1> = 0 disables the autose:offsetadj function; any other value enables it.

Examples MASK:AUTOSET:OFFSETADJ ON enables the autose:offsetadj function.

MASK:AUTOSET:OFFSETADJ? might return :MASK:AUTOSET:OFFSETADJ 1, indicating that the autose:offsetadj function is enabled.

MASK:AUTOSet:STANdard

This command selects the standard mask in a mask autose.

This command, like all the MASK:AUTOSET commands, affects only an autose on a standard mask, not the general instrument autose function.

Conditions This command is only valid if the instrument has Option MTM installed.

Group Mask

Syntax MASK:AUTOSet:STANdard
 {ATATXG1|ATATXG2|ATATXG3|ATARXG1|ATARXG2
 |ATARXG3|CLOCKCoax|CLOCKSymmetrical|D1|D2
 |DS0Contra|DS0Double|DS0Single|DS0Timing|DS1
 |DS1A|DS1C|DS2RATESymmetrical|DS2RATECoax
 |DS2|DS3|DS4NA|DS4NA_Max
 |E1Symmetrical|E1Coax|E2|E3|E4_0|E4_1|ENET100FX
 |ENET100STP |ENET100UTP |ENET1250|ENET1000BCX_NTP2
 |ENET1000BCX_ATP2|ENET1000BCX_ATP3|ENETXAU_Near
 |ENETXAU_Far|FC133|FC266|FC531|FC1063|FC1063Draft
 |FC2125|FC133E|FC266E|FC531E|FC1063E|FC1063E_NBT
 |FC1063E_NDT|FC1063E_NGT|FC1063E_ABT|FC1063E_ADT
 |FC1063E_AGT|FC1063E_ABR|FC1063E_ADR|FC1063E_AGR
 |FC2125E_NBT|FC2125E_NDT|FC2125E_NGT|FC2125E_ABT
 |FC2125E_ADT|FC2125E_AGT|FC2125E_ABR|FC2125E_ADR
 |FC2125E_AGR|FC4250E_ABR|FC4250E_ABT|FC4250E_ADR
 |FC4250E_ADT|FC4250E_AGR|FC4250E_AGT|FC4250E_NBT
 |FC4250E_NDT|FC4250E_NGT|FST1|FST2|FST3|FST4
 |FST5|FST6|FW1394BS400BT1|FW1394BS400BT2
 |FW1394BS800BT1|FW1394BS800BT2|FW1394BS1600BT1
 |FW1394BS1600BT2|FW1394BS400B|FW1394BS800B
 |FW1394BS1600B|G703DS1|G703DS3|HST1|HST2
 |HST3|HST4|HST5|HST6|INF2_5G
 |INF2_5GE|NONE|OC1|OC3|OC12|OC48|OC48_FEC
 |RATE32Mbit|RATE97Mbit|RIO_DRV500M|RIO_DRV750M
 |RIO_DRV1G|RIO_DRV1_5G|RIO_DRV2G|RIO_EDRV500M
 |RIO_EDRV750M |RIO_EDRV1G|RIO_EDRV1_5G|RIO_EDRV2G
 |RIO_RCV500M|RIO_RCV750M|RIO_RCV1G|RIO_RCV1_5G
 |RIO_RCV2G|RIO_SERIAL_1G|RIO_SERIAL_2G|RIO_SERIAL_3G

```
| SFI5_XMITADATA2 | SFI5_XMITCDATA2 | SFI5_XMITACLK2
| SFI5_XMITCCLK2 | SFI5_RCVBDATA2 | SFI5_RCVDDATA2
| SFI5_RCVBCLK2 | SFI5_RCVDCLK2 | SFI5_XMITADATA3
| SFI5_XMITCDATA3 | SFI5_XMITACLK3 | SFI5_XMITCCLK3
| SFI5_RCVBDATA3 | SFI5_RCVDDATA3 | SFI5_RCVBCLK3
| SFI5_RCVDCLK3 | PCIEXPRESS_Xmit | PCIEXPRESS_Rcv
| SAS1_5_IR | SAS1_5_CR | SAS1_5_XR | SAS1_5_IR_AASJ
| SAS1_5_CR_AASJ | SAS1_5_XR_AASJ | SAS1_5_SATA
| SAS3_0_IR | SAS3_0_CR | SAS3_0_XR | SAS3_0_IR_AASJ
| SAS3_0_CR_AASJ | SAS3_0_XR_AASJ | SAS3_0_SATA
| STM0_1 | STM0_0 | STM0_HDBX | STM1E_0 | STM1E_1 | STS1Pulse
| STS1Eye | STS3 | STS3_Max | TFI5_2 | TFI5_3
| USERMask | VIDEO270 | VIDEO292M | VIDEO360 | VSROC192}
MASK:AUTOSet:STANDARD?
```

Arguments

ATATXG1 (Serial ATA, G1 Tx, 1.5 Gb/s)
 ATATXG2 (Serial ATA, G2 Tx, 3.0 Gb/s)
 ATATXG3 (Serial ATA, G3 Tx).
 ATARXG1 (Serial ATA, G1 Rx 1.5 Gb/s)
 ATARXG2 (Serial ATA, G2, Rx, 3.0 Gb/s)
 ATARXG3 (Serial ATA, G3, Rx)
 G703D1 (ITU-T, G703 (10/98), DS1 Rate, 1.544 Mb/s)
 DS1 (ANSI T1.102-1993 (R1999), DS1, 1.544 Mb/s)
 DS1A (ANSI T1.102-1993 (R1999), DS1A, 2.048 Mb/s)
 DS1C (ANSI T1.102-1993 (R1999), DS1C, 3.152 Mb/s)
 DS2 (ANSI T1.102-1993 (R1999), DS2, 6.312 Mb/s)
 DS3 (ANSI T1.102-1993 (R1999), DS3, 44.736 Mb/s)
 DS4NA (ANSI T1.102-1993 (R1999), DS4NA, 139.26 Mb/s)
 DS4NA_Max (ANSI T1.102-1993 (R1999), DSNA Max Output, 139.26 Mb/s)
 DS2RATECoax (ITU-T, G703 (10/98), D2 Rate Coax, 6.312 Mb/s)
 DS2RATESymmetrical (ITU-T, G703 (10/98), D2 Rate Sym, 6.312 Mb/s)
 E1Coax (ITU-T, G703 (10/98), E1 Coax Pair, 2.048 Mb/s)
 E1Symmetrical (ITU-T, G703 (10/98), E1 Sym Pair, 2.048 Mb/s)
 E2 (ITU-T, G703 (10/98), , 8.448 Mb/s)
 RATE32Mbit (ITU-T, G703 (10/98), 32.064 Mb/s)
 E3 (ITU-T, G703 (10/98), E3, 34.368 Mb/s)

E4_0 (ITU-T, G703 (10/98), E4 Binary 0)

E4_1 (ITU-T, G703 (10/98), E4 Binary 1)

ENET100STP (IEEE Std 802.3 and ANSI X3.263-1995, 100 Base-Tx, STP, 125 Mb/s)

ENET100UTP (IEEE Std 802.3 and ANSI X3.263-1995, 100 Base-Tx, UTP, 125 Mb/s)

ENET1250 (IEEE Std 802.3 and ANSI X3.263-1995, GB Ethernet, 1.25 Gb/s)

FC133 (ANSI X3.230-1999 NCITS 1235D/Rev 11, Optical, 132.8 Mb/s)

FC266 (ANSI X3.230-1999 NCITS 1235D/Rev 11, Optical, 265.6 Mb/s)

FC531 (ANSI X3.230-1999 NCITS 1235D/Rev 11, Optical, 531.2 Mb/s)

FC1063 (ANSI X3.230-1999 NCITS 1235D/Rev 11, Optical, 1.065 Gb/s)

FC1063Draft (ANSI X3.230-1999 NCITS 1235D/Rev 11, Optical, Draft Rev 11)

FC2125 (ANSI X3.230-1999 NCITS 1235D/Rev 11, Optical, 2.125)

FC133E (ANSI X3.230-1999 NCITS 1235D/Rev 11, Electrical 132.8 Mb/s)

FC266E (ANSI X3.230-1999 NCITS 1235D/Rev 11, Electrical, 132.8 Mb/s)

FC531E (ANSI X3.230-1999 NCITS 1235D/Rev 11, Electrical, 531.2 Mb/s)

FC1063E (ANSI X3.230-1999 NCITS 1235D/Rev 11, Electrical, 1.0625 Gb/s)

FC1063E_NBT (ANSI X3.230-1999 NCITS 1235D/Rev 11, Norm, Beta, Transm)

FC1063E_NDT (ANSI X3.230-1999 NCITS 1235D/Rev 11, Norm, Delta, Transm)

FC1063E_NGT (ANSI X3.230-1999 NCITS 1235D/Rev 11, Norm, Gamma, Transm)

FC1063E_ABT (ANSI X3.230-1999 NCITS 1235D/Rev 11, Abs, Beta, Transm)

FC1063E_ADT (ANSI X3.230-1999 NCITS 1235D/Rev 11, Abs, Beta, Transm)

FC1063E_AGT (ANSI X3.230-1999 NCITS 1235D/Rev 11, Abs, Gamma, Transm)

FC1063E_ABR (ANSI X3.230-1999 NCITS 1235D/Rev 11, Abs, Beta, Recv)

FC1063E_ADR (ANSI X3.230-1999 NCITS 1235D/Rev 11, Abs, Delta, Recv)

FC1063E_AGR (ANSI X3.230-1999 NCITS 1235D/Rev 11, Abs, Gamma, Recv)

FC2125E_NBT (ANSI X3.230-1999 NCITS 1235D/Rev 11, Norm, Beta, Transm)

FC2125E_NDT (ANSI X3.230-1999 NCITS 1235D/Rev 11, Norm, Delta, Transm)

FC2125E_NGT (ANSI X3.230-1999 NCITS 1235D/Rev 11, Norm, Gamma, Transm)

FC2125E_ABT (ANSI X3.230-1999 NCITS 1235D/Rev 11, Abs, Beta, Transm)
FC2125E_ADT (ANSI X3.230-1999 NCITS 1235D/Rev 11, Abs, Delta, Transm)
FC2125E_AGT (ANSI X3.230-1999 NCITS 1235D/Rev 11, Abs, Gamma, Transm)
FC2125E_ABR (ANSI X3.230-1999 NCITS 1235D/Rev 11, Abs, Beta, Recv)
FC2125E_ADR (ANSI X3.230-1999 NCITS 1235D/Rev 11, Abs, Delta, Recv)
FC2125E_AGR (ANSI X3.230-1999 NCITS 1235D/Rev 11, Abs, Gamma, Recv)
ENET1000BCX_NTP2 (1000B-CX Norm, TP2, 1.25 Gb/s)
ENET1000BCX_ATP2 (1000B-CX Abs, TP2, 1.25 Gb/s)
ENET1000BCX_ATP3 (1000B-CX Abs, TP3, 1.25 Gb/s)
ENETXAUI_Near (10 Gigabit Attachment Unit Interface (XAUI), Near, 3.125 Gb/s)
ENETXAUI_Far (10 Gigabit Attachment Unit Interface (XAUI), Far, 3.125 Gb/s)
FST1 (USB, FS:T1, 12 Mb/s)
FST2 (USB, FS:T2, 12 Mb/s)
FST3 (USB, FS:T3, 12 Mb/s)
FST4 (USB, FS:T4: 12 Mb/s)
FST5 (USB, FS:T5, 12 Mb/s)
FST6 (USB, FS:T6, 12 Mb/s)
FW1394BS400BT1 (IEEE 1394b, S400b T1, 491.5 Mb/s)
FW1394BS400BT2 (IEEE 1394b, S400b T2, 491.5 Mb/s)
FW1394BS800BT1 (IEEE 1394b, S800b T1, 983.0 Mb/s)
FW1394BS800BT2 (IEEE 1394b, S800b T2, 983.0 Mb/s)
FW1394BS1600BT1 (IEEE 1394b, S1600b T1, 1.966 Gb/s)
FW1394BS1600BT2 (IEEE 1394b, S1600b T2, 1.966 Gb/s)
FW1394BS400B (IEEE 1394b, S400 Optical, 491.5 Mb/s)
FW1394BS800B (IEEE 1394b, S800 Optical, 988.0 Mb/s)
FW1394BS1600B (IEEE 1394b, S1600 Optical, 1.966 Gb/s)
G703DS3 (ITU-T, G703 (10/98))
HST1 (USB, HS:T1, 480 Mb/s)
HST2 (USB, HS:T2, 480 Mb/s)

HST3 (USB, HS:T3, 480 Mb/s)
HST4 (USB, HS:T4, 480 Mb/s)
HST5 (USB, HS:T5, 480 Mb/s)
HST6 (USB, HS:T6, 480 Mb/s)
INF2_5G (InfiniBand, IBTA Spec 1.0a, 2.5 Optical, 2.5 Gb/s)
INF2_5GE (InfiniBand, IBTA Spec 1.0a, 2.5 Electrical, 2.5 Gb/s)
OC1 (GR 253-CORE Issue 3 9/21/2000 OC1/STM0, 51.84 Mb/s)
OC3 (GR 253-CORE Issue 3 9/21/2000 OC1/STM1, 155.52, Mb/s)
OC12 (GR 253-CORE Issue 3 9/21/2000 OC1/STM4, 622.08 Mb/s)
OC48 (GR 253-CORE Issue 3 9/21/2000 OC1/STM16, 2.4883 Gb/s)
OC48_FEC (Forward Error Correction - CSA8000 mask, 2.666 Gb/s)
PCIEXPRESS_Xmit (PCI Express Transmitter, 2.5 Gb/s)
PCIEXPRESS_Rcv (PCI Express Receiver, 2.5 Gb/s)
RATE97Mbit (ITU-T, G703 (10/98), 97 Mbit, 97.728 Mb/s)
RIO_DRV500M (Rapid IO Driver, 500 Mb/s)
RIO_DRV750M (Rapid IO Driver, 750 Mb/s)
RIO_DRV1G (Rapid IO Driver, 1 Gb/s)
RIO_DRV1_5G (Rapid IO Driver, 5 Gb/s)
RIO_DRV2G (Rapid IO Driver, 2 Gb/s)
RIO_EDRV500M (Rapid IO Extended Driver, 500 Mb/s)
RIO_EDRV750M (Rapid IO Extended Driver, 750 Mb/s)
RIO_EDRV1G (Rapid IO Extended Driver, 1 Gb/s)
RIO_EDRV1_5G (Rapid IO Extended Driver, 1.5 Gb/s)
RIO_EDRV2G (Rapid IO Extended Driver, 2 Gb/s)
RIO_RCV500M (Rapid IO Receiver, 500 Mb/s)
RIO_RCV750M (Rapid IO Receiver, 750 Mb/s)
RIO_RCV1G (Rapid IO Receiver, 1 Gb/s)
RIO_RCV1_5G (Rapid IO Receiver, 1.5 Gb/s)
RIO_RCV2G (Rapid IO Receiver, 2 Gb/s)
RIO_SERIAL_1G (Rapid IO Serial, 1.25 Gb/s)
RIO_SERIAL_2G (Rapid IO Serial, 2.5 Gb/s)

RIO_SERIAL_3G (Rapid IO Serial, 3.25 Gb/s)

SFI5_XMITADATA2 (SFI15 Transmit: Test Point A Data Signal 2, 2.488 Gb/s)

SFI5_XMITCDATA2 (SFI15 Transmit: Test Point C Data Signal 2, 2.488 Gb/s)

SFI5_XMITACLK2 (SFI15 Transmit: Test Point A Clock Signal 2, 2.488 Gb/s)

SFI5_XMITCCLK2 (SFI15 Transmit: Test Point C Clock Signal 2, 2.488 Gb/s)

SFI5_RCVBDATA2 (SFI15 Receive: Test Point B Data Signal 2, 2.488 Gb/s)

SFI5_RCVDDATA2 (SFI15 Receive: Test Point D Data Signal 2, 2.488 Gb/s)

SFI5_RCVBCLK2 (SFI15 Receive: Test Point B Clock Signal 2, 2.488 Gb/s)

SFI5_RCVDCLK2 (SFI15 Receive: Test Point D Clock Signal 2, 2.488 Gb/s)

SFI5_XMITADATA3 (SFI15 Transmit: Test Point A Data Signal 3, 3.125 Gb/s)

SFI5_XMITCDATA3 (SFI15 Transmit: Test Point C Data Signal 3, 3.125 Gb/s)

SFI5_XMITACLK3 (SFI15 Transmit: Test Point A Clock Signal 3, 3.125 Gb/s)

SFI5_XMITCCLK3 (SFI15 Transmit: Test Point C Clock Signal 3, 3.125 Gb/s)

SFI5_RCVBDATA3 (SFI15 Receive: Test Point B Data Signal 3, 3.125 Gb/s)

SFI5_RCVDDATA3 (SFI15 Receive: Test Point D Data Signal 3, 3.125 Gb/s)

SFI5_RCVBCLK3 (SFI15 Receive: Test Point B Clock Signal 3, 3.125 Gb/s)

SFI5_RCVDCLK3 (SFI15 Receive: Test Point D Clock Signal 3, 3.125 Gb/s)

STM1E_0 (ITU-T, G703 (10/98), STM1E Binary 0)

STM1E_1 (ITU-T, G703 (10/98), STM1E Binary 1)

STS1Pulse (ANSI T1.102-1993 (R1999), STS-1 Pulse, 51.84 Mb/s)

STS1Eye (ANSI T1.102-1993 (R1999), STS-1 Eye, 51.84 Mb/s)

STS3 (ANSI T1.102-1993 (R1999), STS-3, 155.52 Mb/s)

STS3_Max (ANSI T1.102-1993 (R1999), STS-3 Max Output, 155.52 Mb/s)

TFI15_2 (TFI-5, 2.488 Gb/s)

TFI15_3 (TFI-5, 3.1104 Gb/s)

USERMask

VIDEO292M (SMPTE, 1.485 Gb/s)

VSROC192 (VSR OC192/STM64, 1.24416 Gb/s)

Examples `MASK:AUTOSET:STANDARD E1COAX` selects the E1 Coax standard mask.

`MASK:AUTOSET:STANDARD?` might return `:MASK:AUTOSET:STANDARD E1COAX`, indicating that the E1 Coax mask is selected as the current mask standard.

MASK:AUTOSet:TRIGger

This command specifies whether a mask [AUTOSet](#) affects the trigger level. Other trigger settings such as type of trigger are not changed by autoset. The default is ON.

This command, like all the mask autoset commands, affects only an autoset on a standard mask, not the general instrument autoset function.

Group Mask

Syntax `MASK:AUTOSet:TRIGger {ON|OFF|<NR1>}`
`MASK:AUTOSet:TRIGger?`

Arguments ON enables the autoset:trigger function.
 OFF disables the autoset:trigger function.
 <NR1> = 0 disables the autoset:trigger function; any other value enables it.

Examples `MASK:AUTOSET:TRIGGER ON` enables the autoset:trigger function.

`MASK:AUTOSET:TRIGGER?` might return

`:MASK:AUTOSET:TRIGGER 1`, indicating that the autoset:trigger function is enabled.

MASK:AUTOSet:USER:ONE

This command sets or queries the level 1 value used by autoset for user masks.

Group Mask

Syntax `MASK:AUTOSet:USER:ONE <NR3>`
`MASK:AUTOSet:USER:ONE?`

Related Commands [MASK:AUTOSet:USER:TYPE](#), [MASK:AUTOSet:USER:ZERO](#)

Arguments <NR3> sets the level 1 value used by autosect for user masks.

Examples MASK:AUTOSET:USER:ONE 1 sets the autosect for 1 in user masks is 1.0 volts.
 MASK:AUTOSET:USER:ONE? might return :MASK:AUTOSET:USER:ONE 0.0000, indicating that the autosect is using 0.0 volts for 1 in user masks.

MASK:AUTOSet:USER:TYPE

This command sets or queries how autosect scales a mask.

Group Mask

Syntax MASK:AUTOSet:USER:TYPE {ABSolute|NORMALIZED}
 MASK:AUTOSet:USER:TYPE?

Related Commands [MASK:AUTOSet:USER:ONE](#), [MASK:AUTOSet:USER:ZERo](#)

Arguments ABSOLUTE tells autosect to use the values supplied by [MASK:AUTOSet:USER:ONE](#) and [MASK:AUTOSet:USER:ZERo](#) for the one and zero of the mask.
 NORMALIZED tells autosect to determine the mask one and zero by looking at the mask.

Examples MASK:AUTOSET:USER:TYPE NORMALIZED sets the autosect scales in a mask to normalize.
 MASK:AUTOSET:USER:TYPE? might return :MASK:AUTOSET:USER:TYPE NORMALIZED, indicating that the autosect is set to normalize scales in a mask.

MASK:AUTOSet:USER:ZERo

This command sets or queries the level 0 used by autosect for user masks.

Group Mask

Syntax MASK:AUTOSet:USER:ZERo <NR3>
 MASK:AUTOSet:USER:ZERo?

Related Commands [MASK:AUTOSet:USER:TYPE](#), [MASK:AUTOSet:USER:ONE](#)

Arguments <NR3> sets the zero level that autoset uses for user masks.

Examples MASK:AUTOSET:USER:ZERO 1.000 sets the autoset for zero in user masks to scales in a mask to normalize.

MASK:AUTOSET:USER:ZERO? might return :MASK:AUTOSET:USER:ZERO 0.0000, indicating that the autoset is using 0.0 volts for zero in user masks.

MASK:AUTOSet:VPOS

This command controls whether the mask autoset algorithm will affect the vertical position (or offset) of the signal while attempting to autoset. The default is ON.

This command, like all the mask autoset commands, affects only an autoset on a standard mask, not the general instrument autoset function.

Group Mask

Syntax MASK:AUTOSet:VPOS {ON|OFF|<NR1>}
MASK:AUTOSet:VPOS?

Arguments ON enables the autoset:vpos function.
OFF disables the autoset:vpos function.
<NR1> = 0 disables the autoset:vpos function; any other value enables it.

Examples MASK:AUTOSET:VPOS ON enables the autoset:vpos function.
MASK:AUTOSET:VPOS? might return :MASK:AUTOSET:VPOS 0.0000, indicating that the autoset:vpos function is disabled.

MASK:AUTOSet:VSCALE

This command controls whether the mask autoset algorithm will affect the vertical scale while attempting to autoset.

This command, like all the mask autoset commands, affects only an autoset on a standard mask, not the general instrument autoset function.

Group Mask

Syntax MASK:AUTOSet:VSCALE {ON|OFF|<NR1>}
MASK:AUTOSet:VSCALE?

Arguments ON enables the autose:vscale function.
OFF disables the autose:vscale function.
<NR1> = 0 disables the autose:vscale function; any other value enables it.

Examples MASK:AUTOSET:VSCALE ON enables the autose:vscale function.
MASK:AUTOSET:VSCALE? might return :MASK:AUTOSET:VSCALE 0.0000,
indicating that the autose:vscale function is disabled.

MASK:COpy:USER (No Query Form)

This command copies the currently displayed mask to the user mask.

Group Mask

Syntax MASK:COpy:USER

Examples MASK:COpy:USER copies the current mask to the user mask.

MASK:COUnT (No Query Form)

This command resets to zero the number of hits for all mask segments on the specified source.

Group Mask

Syntax MASK:COUnT RESET

Arguments RESET sets to zero the number of hits for all mask segments on the specified source.

Examples MASK:COUnT resets to zero the number of hits for all mask segments on the specified source.

MASK:COUNT:FAILURES? (Query Only)

This query-only command returns the number of pass/fail tests that have failed. The default is 0. Pass/fail testing must be enabled.

Group Mask

Syntax MASK:COUNT:FAILURES?

Returns <NR1>

Examples MASK:COUNT:FAILURES? might return :MASK:COUNT:FAILURES 0, showing that no tests have failed.

MASK:COUNT:HITS? (Query Only)

This query-only command returns the number of hits on all mask segments. Hit counting must be turned on.

Group Mask

Syntax MASK:COUNT:HITS?

Returns <NR1>

Examples MASK:COUNT:HITS? might return :MASK:COUNT:HITS 0, showing there were no hits from any source on any mask segments.

MASK:COUNT:SEG<m>:HITS? (Query Only)

This query-only command returns the number of hits in mask segment <m>. Hit counting must be turned on.

Group Mask

Syntax MASK:COUNT:SEG<m>:HITS?

Arguments	<m> is the mask segment number.
Returns	<NR1>
Examples	MASK:COUNT:SEG1:HITS? might return :MASK:COUNT:SEG1:HITS 0, showing that there have been no hits.

MASK:COUNT:STATE

This command sets or queries the mask hits count state; it controls whether mask counting is being done. [MASK:DISplay](#) must be ON to enable MASK:COUNT:STATE to count mask violations.

Group	Mask
Syntax	MASK:COUNT:STATE {OFF ON <NR1>} MASK:COUNT:STATE?
Arguments	ON turns on mask counting. OFF turns off mask counting. This is the default state. <NR1> = 0 turns off mask hit counting, and other values turn on mask hit counting.
Examples	MASK:COUNT:STATE ON turns on mask hit counting. MASK:COUNT:STATE? might return :MASK:COUNT:STATE 1, indicating that the mask counting is on.

MASK:COUNT:TESTS? (Query Only)

This query-only command returns the number of pass/fail tests that have occurred.

Group	Mask
Syntax	MASK:COUNT:TESTS?
Returns	<NR1>

Examples MASK:COUNT:TESTS? might return :MASK:COUNT:TESTS 50, showing 50 tests have occurred.

MASK:COUNT:TOTAl? (Query Only)

This query-only command returns the sum of all hits in all mask segments. This command is the same as MASK:COUNT:HITS? and is kept for compatibility with other Tektronix instruments.

Group Mask

Syntax MASK:COUNT:TOTAl?

Returns <NR1>

Examples MASK:COUNT:TOTAL? might return :MASK:COUNT:TOTAL50, showing 50 hits have occurred.

MASK:COUNT:VIOLATIONS? (Query Only)

This query-only command returns the number of test violations that have occurred in the current pass/fail test. A test violation occurs when any part of a waveform falls within any mask segment. The default is 0.

Group Mask

Syntax MASK:COUNT:VIOLATIONS?

Related Commands [MASK:COUNT:TESTS?](#), [MASK:COUNT:TOTAl?](#), [MASK:COUNT:WAVEFORMS?](#), [MASK:TEST:REPeat](#)

Returns <NR1>

Examples MASK:COUNT:VIOLATIONS? might return :MASK:COUNT:VIOLATIONS 50, showing that 50 test violations have occurred.

MASK:COUNT:WAVEFORMS? (Query Only)

This query-only command returns the number of waveforms that have been acquired and processed during pass/fail testing.

Group Mask

Syntax MASK:COUNT:WAVEFORMS?

Related Commands [MASK:COUNT:TESTS?](#), [MASK:COUNT:TOTAL?](#), [MASK:COUNT:VIOLATIONS?](#)

Returns <NR1>

Examples MASK:COUNT:WAVEFORMS? might return :MASK:COUNT:WAVEFORMS 1000, showing that 1,000 waveforms have been acquired and processed.

MASK:DISplay

This command sets or queries whether or not defined masks are displayed on the screen. This is useful for temporarily turning off user-defined masks without deleting them. It is also useful for removing a standard mask from the screen, but leaving it as the selected standard. Mask counting, mask testing, and mask autoset are unavailable if the mask display is Off. The default is On.

Group Mask

Syntax MASK:DISplay {OFF|ON|<NR1>}
MASK:DISplay?

Arguments ON shows the masks on the display. This is the default value.

OFF removes the masks from the display.

<NR1> = 0 removes the masks from the display; any other value shows the masks on the display.

Examples MASK:DISPLAY ON sets the display to show the defined masks.

MASK:DISPLAY? might return :MASK:DISPLAY 1, indicating that the defined masks on the screen are displayed.

MASK:FILTer

This command sets or returns whether the selected digital filter will be run on the waveform data. The filter simulates optical hardware. That is, it simulates different hardware for each of several different optical standards.

The digital filter runs on OC1, OC3, OC12, OC48, FC133, FC266, FC531, FC1063, FC2125Draft, Gigabit Ethernet, Infiniband 2.5Gb, 1394b, 393Mb, 786.4 3Mb, 1.572 Gb

Group Mask

Syntax MASK:FILTer {OFF|ON|<NR1>}
MASK:FILTer?

Related Commands [ACQuire:MODE](#)

Arguments ON enables the digital filter.
OFF disables the digital filter.
<NR1> = 0 disables the digital filter; any other value enables it.

Examples MASK:FILTER ON enables the digital filter.
MASK:FILTER? might return :MASK:FILTER 1, indicating that the selected digital filter will be run on the waveform data.

MASK:HIGHLIGHTHits

This command sets or returns whether or not hits in a mask are highlighted in different colors than other waveform data. The default is On.

Group Mask

Syntax MASK:HIGHLIGHTHits {OFF|ON|<NR1>}
MASK:HIGHLIGHTHits?

Arguments ON enables the mask:highlighthits function.
OFF disables the mask:highlighthits function.
<NR1> = 0 disables the mask:highlighthits function; any other value enables it.

Examples `MASK:HIGHLIGHTHITS ON` enables the mask highlighthits function.
`MASK:HIGHLIGHTHITS?` might return `:MASK:HIGHLIGHTHITS 1`, indicating that the mask:highlighthits function is enabled.

MASK:INVert

This command controls whether the mask is drawn inverted. It has no effect if this mask cannot be inverted. The default is Off (Positive).

Group Mask

Syntax `MASK:INVert {OFF|ON|<NR1>}`

Arguments `ON` Negative
 `OFF` Positive
 `<NR1> = 0` disables the mask:invert function; any other value enables it.

Examples `MASK:INVERT ON` enables the mask invert function.
`MASK:INVERT?` might return `:MASK:INVERT 1`, indicating that the mask is drawn inverted.

MASK:LOCK

This command sets or returns the mask lock to waveform mode. It locks the mask to the waveform such that changes to the horizontal and/or vertical scale settings redraws the mask segments in proportion. This feature allows for expanding horizontal and/or vertical settings to zoom in on waveforms and masks to visually examine violation areas in more detail.

Group Mask

Syntax `MASK:LOCK {OFF|ON|<NR1>}`
 `MASK:LOCK?`

Arguments `ON` turns on mask lock to waveform.
 `OFF` turns off mask lock to waveform.

<NR1> = 0 turns off mask lock to waveform and any other value turns on mask lock to waveform.

Examples MASK:LOCK ON turns on mask lock to waveform.

MASK:LOCK? might return :MASK:LOCK 1, indicating that the mask lock to waveform mode is enabled.

MASK:MARgin:PERCent

This command sets or queries the mask margin percentage. If you set a positive mask margin percentage, the polygon expands and the mask test will be more difficult to pass due to the expanded test area. If you set a negative mask margin percentage, the polygon shrinks and the mask test will be easier to pass due to the smaller area.

Group Mask

Syntax MASK:MARgin:PERCent <NR3>
MASK:MARgin:PERCent?

Arguments <NR3> values range from -50.0 to +50.0. The default is 5.

Examples MASK:MARGIN:PERCENT 25 sets the mask margin percentage to 25.

MASK:MARGIN:PERCENT? might return :MASK:MARGIN:PERCENT 1.0000000000E+001, indicating that the mask margin is set to 10%.

MASK:MARgin:STATE

This command sets or returns the state of the mask margins.

Group Mask

Syntax MASK:MARgin:STATE {OFF|ON|<NR1>}
MASK:MARgin:STATE?

Arguments ON turns on mask margins.

OFF turns off mask margins. The currently displayed margined mask is erased and the original mask is displayed.

<NR1> = 0 turns off mask margins; any other integer turns on the selected mask margins.

Examples MASK:MARGIN:STATE ON turns on mask margins.

MASK:MARGIN:STATE? might return :MASK:MARGIN:STATE 1, indicating that the mask margins are on.

MASK:MASKPRE:AMPLitude

This command sets or returns the current mask's nominal pulse amplitude in volts. The query form of this command returns the nominal pulse amplitude of the displayed mask. The set form of this command only affects the current (displayed) mask.

Group Mask

Syntax MASK:MASKPRE:AMPLitude <NR3>
MASK:MASKPRE:AMPLitude?

Related Commands [MASK:MASKPRE:VSCale](#)

Arguments <NR3> is a floating number that sets the nominal pulse amplitude in volts.

Examples MASK:MASKPRE:AMPLITUDE 2.4 sets the current mask nominal pulse amplitude to 2.4 volts.

MASK:MASKPRE:AMPLITUDE? might return :MASK:MASKPRE:AMPLITUDE 1, indicating that the current mask's nominal pulse amplitude is set to 1.0 V.

MASK:MASKPRE:HSCAle

This command sets or returns the nominal timing resolution used to draw the mask, in time/division. The query form of this command returns the nominal timing resolution of the displayed mask. The set form of this command only affects the current (displayed) mask.

Group Mask

Syntax MASK:MASKPRE:HSCALE <NR3>
MASK:MASKPRE:HSCALE?

Related Commands [MASK:MASKPRE:HTRIGPOS](#)

Arguments <NR3> is a floating point number that sets the mask drawing timing resolution.

Examples MASK:MASKPRE:HSCALE 40E-9 sets the nominal timing resolution used to draw the mask pulse shape to 40 nanoseconds per division.

MASK:MASKPRE:HSCALE? might return :MASK:MASKPRE:HSCALE 1, indicating that the current mask's nominal timing resolution is to 1 nanosecond per divisions.

MASK:MASKPRE:HTRIGPOS

This command sets or returns the nominal trigger position (pulse leading edge) used to draw the mask as a fraction of the display width. The query form of this command returns the nominal trigger position of the displayed mask. The set form of this command only affects the current (displayed) mask.

Group Mask

Syntax MASK:MASKPRE:HTRIGPOS <NR3>
MASK:MASKPRE:HTRIGPOS?

Related Commands [MASK:MASKPRE:HSCALE](#)

Arguments <NR3> is a floating point number in the range of 0.0 to 1.0 that sets the trigger points as a fraction of the display width, referenced from the left edge of the graticule. The number 0.0 represents the left edge.

Examples MASK:MASKPRE:HTRIGPOS 0.6 sets the current mask nominal pulse leading edge position to the sixth horizontal graticule division.

MASK:MASKPRE:HTRIGPOS? might return :MASK:MASKPRE:HTRIGPOS 0.8, indicating that the trigger position is set to eight horizontal graticule divisions.

MASK:MASKPRE:PATTERNBITS

This command sets or returns the number of bits used for serial trigger for the User mask standard. For example, DS1 requires six bits: four leading zeros, a one, and a trailing zero. The query form of this command returns the serial bit value of the displayed mask. The set form of this command only affects the current (displayed) mask.

Group Mask

Syntax MASK:MASKPRE:PATTERNBITS <NR1>
MASK:MASKPRE:PATTERNBITS?

Related Commands [MASK:MASKPRE:PRESAMPBITS](#)

Arguments <NR1> is an integer that sets the number of bits.

Examples MASK:MASKPRE:PATTERNBITS 6 sets the current mask number of serial pattern bits to 6.

MASK:MASKPRE:PATTERNBITS? might return :MASK:MASKPRE:PATTERNBITS 8, indicating that the number of bits for serial trigger of the user mask standard is set to 8.

MASK:MASKPRE:PRESAMPBITS

This command sets or returns the number of bits before the (isolated one) pulse leading edge in the serial trigger pass/fail testing. For example, DS1 has four leading zeros. The query form of this command returns the presample bit value of the displayed mask. The set form of this command only affects the current (displayed) mask.

Group Mask

Syntax MASK:MASKPRE:PRESAMPBITS <NR1>
MASK:MASKPRE:PRESAMPBITS?

Related Commands [MASK:MASKPRE:PATTERNBITS](#)

Arguments <NR1> is an integer that sets the number of bits before the trigger pulse.

- Examples** MASK:MASKPRE:PRESAMPBITS 4 sets the current mask number of bits before the trigger pulse to 4.
- MASK:MASKPRE:PRESAMPBITS? might return :MASK:MASKPRE:PRESAMPBITS 8, indicating that the presample bit value of the displayed mask is set to 8.

MASK:MASKPRE:RECOrdlength

This command sets or returns the nominal record length for pulse mask testing. The query form of this command returns the record length value of the displayed mask. The set form of this command only affects the current (displayed) mask.

- Group** Mask
- Syntax** MASK:MASKPRE:RECOrdlength <NR1>
MASK:MASKPRE:RECOrdlength?
- Arguments** <NR1> is an integer number that sets the record length.
- Examples** MASK:MASKPRE:RECORDLENGTH 500 sets the current mask record length to 500 points.
- MASK:MASKPRE:RECORDLENGTH? might return :MASK:MASKPRE:RECORDLENGTH 400, indicating that the nominal record length for pulse mask testing is set to 400.

MASK:MASKPRE:TRIGTOSAMP

This command sets or returns the time, in seconds, from the (leading edge) trigger position to the pulse bit sampling position. The query form of this command returns the time value of the displayed mask. The set form of this command only affects the current (displayed) mask.

- Group** Mask
- Syntax** MASK:MASKPRE:TRIGTOSAMP <NR3>
MASK:MASKPRE:TRIGTOSAMP?
- Related Commands** [MASK:MASKPRE:WIDth](#)

- Arguments** <NR3> is the floating point number that sets the time to the pulse bit sampling position.
- Examples** MASK:MASKPRE:TRIGTOSAMP 162E-9 sets the current mask time from the (leading edge) trigger position to the pulse bit sampling position to 162 nanoseconds.
- MASK:MASKPRE:TRIGTOSAMP? might return :MASK:MASKPRE:TRIGTOSAMP 100, indicating that the time value of the displayed mask is set to 100 nanoseconds.

MASK:MASKPRE:VOFFSet

This command sets or returns the nominal vertical offset, in volts, used to vertically offset the input channels. The query form of this command returns the offset value of the displayed mask. The set form of this command only affects the current (displayed) mask.

Group Mask

Syntax MASK:MASKPRE:VOFFSet <NR3>
MASK:MASKPRE:VOFFSet?

Related Commands [MASK:MASKPRE:VPOS](#), [MASK:MASKPRE:VSCALE](#)

Arguments <NR3> is a floating point number that sets the nominal vertical offset in volts.

Examples MASK:MASKPRE:VOFFSET 0.0 sets the current mask nominal vertical offset to 0.0 volts.

MASK:MASKPRE:VOFFSET? might return :MASK:MASKPREVOFFSET 1.0000, indicating that the offset value of the displayed mask is set to 1.0 volts.

MASK:MASKPRE:VPOS

This command sets or returns the nominal vertical position, control in divisions, used to vertically position the input channels. The query form of this command returns the vertical position value of the displayed mask. The set form of this command only affects the current (displayed) mask.

Group Mask

Syntax MASK:MASKPRE:VPOS <NR3>
MASK:MASKPRE:VPOS?

Related Commands [MASK:MASKPRE:VOFFSet](#), [MASK:MASKPRE:VSCALE](#)

Arguments <NR3> is a floating point number that sets the nominal vertical position control in divisions.

Examples MASK:MASKPRE:VPOS -0.8 sets the current mask nominal vertical position to -0.8 divisions.

MASK:MASKPRE:VPOS? might return :MASK:MASKPRE:VPOS 1.0000, indicating that the vertical position value of the displayed mask is set to 1.0 divisions.

MASK:MASKPRE:VSCALE

This command sets or returns the nominal vertical scale, in volts per division, used to vertically scale the input channels. The query form of this command returns the vertical scale value of the displayed mask. The set form of this command only affects the current (displayed) mask.

Group Mask

Syntax MASK:MASKPRE:VSCALE <NR3>
MASK:MASKPRE:VSCALE?

Related Commands [MASK:MASKPRE:VOFFSet](#), [MASK:MASKPRE:VPOS](#)

Arguments <NR3> is a floating point number that sets the nominal bit width in seconds.

Examples MASK:MASKPRE:VSCALE 200E-3 sets the current mask nominal vertical scale to 200 millivolts per division.

MASK:MASKPRE:VSCALE? might return :MASK:MASKPRE:VSCALE 400.0000E-3, indicating that the vertical position value of the displayed mask is set to 400 millivolts per division.

MASK:MASKPRE:WIDTH

This command sets or returns the nominal bit width in seconds. The query form of this command returns the bit width value of the displayed mask. The set form of this command only affects the current (displayed) mask.

Group Mask

Syntax MASK:MASKPRE:WIDTH <NR3>
MASK:MASKPRE:WIDTH?

Related Commands [MASK:MASKPRE:TRIGTOSAMP](#)

Arguments <NR3> is a floating point number that sets the nominal bit width in seconds. This number is the time of one bit of data where $\text{bit width} = 1 / (\text{data rate of the signal})$.

Examples MASK:MASKPRE:WIDTH 648E-9 sets the current mask nominal bit width to 648 nanoseconds (1.544 Mbits/second).
MASK:MASKPRE:WIDTH? might return :MASK:MASKPRE:WIDTH 500.0000E-9, indicating that the bit width value of the displayed mask is set to 500 nanoseconds.

MASK:POLarity

This command sets or returns the input waveform polarity for the pass/fail test. It controls whether to test positive pulse, negative pulse, or both during pass/fail testing. This command only applies when [MASK:TEST:STATE](#) is on.

Group Mask

Syntax MASK:POLarity {BOTH|NEGATIVE|POSITIVE}
MASK:POLarity?

Related Commands [MASK:TEST:STATE](#)

Arguments BOTH enables testing for both positive and negative pulses. The instrument tests positive pulses on the mask:source waveform until $\frac{1}{2}$ of the waveform has been tested. Then the instrument inverts the mask and performs the remaining tests.

NEGATIVE enables testing on negative pulses.

POSITIVE enables testing on positive pulses. This is the default.

Examples MASK:POLARITY BOTH sets pass/fail to test both positive (normal) and negative (inverted) waveforms.

MASK:POLARITY? might return :MASK:POLARITY POSITIVE, indicating that the input waveform polarity for the pass/fail test is set to positive.

MASK:SEG<m> (No Query Form)

This command deletes the specified mask segment from the current mask.

Group Mask

Syntax MASK:SEG<m> DELEte

Arguments <m> is an integer that specifies the mask segment number to delete from the current mask.

DELETE removes the specified mask segment from the mask.

Examples MASK:SEG3 DELETE deletes mask segment three from the current mask.

MASK:SEG<m>:NR_Pt? (Query Only)

This query-only command returns the number of points that make up the specified mask segment of the current mask. Each mask point consists of an X-Y pair of coordinates.

Group Mask

Syntax MASK:SEG<m>:NR_Pt?

Arguments <m> is an integer number that specifies a mask segment number of the current mask.

Returns <NR1> is 0 to 50.

Examples MASK:SEG2:NR_PT? might return :MASK:SEG2:NR_PT 5.

MASK:SEG<m>:POINTS

This command sets or returns the X-Y user coordinates of all points in the current mask segment. The set form defines new points in the current mask, replacing any existing points in the current mask segment; it sets or returns the vertices for a particular segment in the current mask.

Group Mask

Syntax MASK:SEG<m>:POINTS <NR3>,<NR3>[,<NR3>,<NR3>]
 MASK:SEG<m>:POINTS?

Arguments <m> is an integer that specifies the current mask segment number.

<NR3> refers to the coordinates of one of the vertices in the Current mask. Each pair of numbers represents the horizontal and vertical coordinates of a mask segment vertex. The pairs must be listed in a counterclockwise order. If the vertical or horizontal scale or position is changed after this command and then the query form of this command is issued, the value returned from the instrument will not be the same. If just one pair is input, it is ignored and the current mask segment is marked as undefined. The default is no points in the current mask segment.

Examples MASK:SEG2:POINTS -2.3E-9, 44E-3, -2.5E-9, 47E-3, 1.2E-9, 44E-3 defines the points in current mask segment 2.

MASK:SEG2:POINTS? might return :MASK:SEG2:POINTS 0.0000, 0.0000, indicating that the X-Y user coordinates of all points in the Current mask segment are set to 0,0.

MASK:SOURce

This command sets or reports which source will be compared against the mask(s) when counting is turned on; it controls which trace to use in mask counting. It also affects mask autoselect and how triggering is set up when you select the mask.

Group Mask

Syntax MASK:SOURce {CH[1-4]|MATH[1-4]|REF[1-4]}
 MASK:SOURce?

Arguments	<p>CH<1-4> selects a channel waveform to be compared against the specified mask. The range for is 1 through 4.</p> <p>MATH<1-4> selects a math waveform to be compared against the specified mask. The range for is 1 through 4.</p> <p>REF<1-4> selects a reference waveform to be compared against the specified mask. The range is 1 through 4.</p>
Examples	<p>MASK:SOURCE CH1 enables CH1 to be compared against the mask. Since a timebase is not specified, the default, Main, is used.</p> <p>MASK:SOURCE? might return :MASK:SOURCE CH1,MAIN, indicating that the Channel 1 waveform will be compared against the mask using the Main timebase.</p>

MASK:STANdard

This command deletes the existing mask (if any) and sets the selected standard mask. If **MASK:COUNt:STATE** is ON, mask counting starts immediately. The query form of this command returns the current mask standard.

NOTE. *There are several available mask standards that require a higher bandwidth than permitted for some instruments. In such cases, a warning is posted to the standard event system upon selection of any of these standards. To ensure that the mask you select is fully supported by the instrument, always check the event status register after selecting a mask standard.*

The following warning event is posted if the mask exceeds the instrument bandwidth: 2318,“Consider system bandwidth when testing at this bit rate.”

Conditions	This command is only valid for instruments with Option MTM installed.
Group	Mask
Syntax	<pre>MASK:STANdard {ATARXG1 ATARXG2 ATARXG3 ATATXG1 ATATXG2 ATATXG3 CLOCKCoax CLOCKSymmetrical D1 D2 DS0Contra DS0Double DS0Single DS0Timing DS1 DS1A DS1C DS2 DS2RATECoax DS2RATESymmetrical DS3 DS4NA DS4NA_Max E1Coax E1Symmetrical E2 E3 E4_1 E4_0 ENET1000BCX_ATP2 ENET1000BCX_ATP3 ENET1000BCX_NTP2 ENET100FX ENET100STP ENET100UTP ENET1250 ENETXAUl_Far ENETXAUl_Near FC1063 FC1063Draft FC1063E FC1063E_ABR FC1063E_ABT FC1063E_ADR FC1063E_ADT</pre>

| FC1063E_AGR |
 FC1063E_AGT | FC1063E_NBT | FC1063E_NDT | FC1063E_NGT | FC133 |
 FC133E | FC2125 | FC2125E_ABR | FC2125E_ABT | FC2125E_ADR | FC2125E_ADT |
 FC2125E_AGR | FC2125E_AGT | FC2125E_NBT | FC2125E_NDT
 | FC2125E_NGT | FC266 | FC266E | FC4250E_ABR | FC4250E_ABT
 | FC4250E_ADR | FC4250E_ADT | FC4250E_AGR
 | FC4250E_AGT | FC4250E_NBT | FC4250E_NDT
 | FC4250E_NGT | FC531 | FC531E | FST1 | FST2 | FST3
 | FST4 | FST5 | FST6 | FW1394BS1600B |
 FW1394BS1600BT1 | FW1394BS1600BT2 | FW1394BS400B
 | FW1394BS400BT1 |
 FW1394BS400BT2 | FW1394BS800B | FW1394BS800BT1 | FW1394BS800BT2 |
 G703DS1 | G703DS3 | HST1 | HST2 | HST3 | HST4 | HST5 | HST6 | INF2_5G |
 INF2_5GE | NONE | OC1 | OC12 | OC3 | OC48 | OC48_FEC | PCIEXPRESS_Rcv |
 PCIEXPRESS_Xmit | RATE32Mbit | RATE97Mbit | RIO_DRV1G
 | RIO_DRV1_5G |
 RIO_DRV2G | RIO_DRV500M | RIO_DRV500M | RIO_DRV750M | RIO_EDRV1G |
 RIO_EDRV1_5G | RIO_EDRV2G | RIO_EDRV500M | RIO_EDRV500M |
 RIO_EDRV750M | RIO_RCV1G | RIO_RCV1_5G | RIO_RCV2G
 | RIO_RCV500M | RIO_RCV500M | RIO_RCV750M | RIO_SERIAL_1G
 | RIO_SERIAL_2G | RIO_SERIAL_3G |
 SFI5_RCVBCLK2 | SFI5_RCVBCLK3 | SFI5_RCVBDATA2 | SFI5_RCVBDATA3 |
 SFI5_RCVDCLK2 | SFI5_RCVDCLK3 | SFI5_RCVDDATA2 | SFI5_RCVDDATA3 |
 SFI5_XMITACLK2 | SFI5_XMITACLK3 | SFI5_XMITADATA2 | SFI5_XMITADATA3 |
 SFI5_XMITCCLK2 | SFI5_XMITCCLK3 | SFI5_XMITCDATA2
 | SFI5_XMITCDATA3 |
 STM0_0 | STM0_1 | STM0_HDBX | STM1E_1 | STM1E_0 | STS1Eye
 | STS1Pulse | STS3 | STS3_Max | TFI5_2 | TFI5_3 | USERMask | VIDEO270
 | VIDEO292M | VIDEO360 | VSROC192 | SAS1_5_IR | SAS1_5_CR | SAS1_5_XR
 | SAS1_5_IR_AASJ | SAS1_5_CR_AASJ | SAS1_5_XR_AASJ
 | SAS1_5_SATA | SAS3_0_IR | SAS3_0_CR | SAS3_0_XR
 | SAS3_0_IR_AASJ | SAS3_0_CR_AASJ | SAS3_0_XR_AASJ | SAS3_0_SATA }
 MASK: STANDARD?

Related Commands [ACQUIRE:MODE](#)

Arguments

- ATARXG1 (Serial ATA, G1 Rx 1.5 Gb/s)
- ATARXG2 (Serial ATA, G2, Rx, 3.0 Gb/s)
- ATARXG3 (Serial ATA, G3, Rx)
- ATATXG1 (Serial ATA, G1 Tx, 1.5 Gb/s)
- ATATXG2 (Serial ATA, G2 Tx, 3.0 Gb/s)
- H ATATXG3 (Serial ATA, G3 Tx)
- CLOCKCoax
- CLOCKSymmetrical
- D1

D2

DS0Contra (ITU-T, G703 (10/98), 64 kb/s)

DS0Double (ITU-T, G703 (10/98), 64 kb/s)

DS0Single (ITU-T, G703 (10/98), 64 kb/s)

DS0Timing (ITU-T, G703 (10/98), 64 kb/s)

DS1 (ANSI T1.102-1993 (R1999), DS1, 1.544 Mb/s)

DS1A (ANSI T1.102-1993 (R1999), DS1A, 2.048 Mb/s)

DS1C (ANSI T1.102-1993 (R1999), DS1C, 3.152 Mb/s)

DS2 (ANSI T1.102-1993 (R1999), DS2, 6.312 Mb/s)

DS2RATECoax (ITU-T, G703 (10/98), D2 Rate Coax, 6.312 Mb/s)

DS2RATESymmetrical (ITU-T, G703 (10/98), D2 Rate Sym, 6.312 Mb/s)

DS3 (ANSI T1.102-1993 (R1999), DS3, 44.736 Mb/s)

DS4NA (ANSI T1.102-1993 (R1999), DS4NA, 139.26 Mb/s)

DS4NA_Max (ANSI T1.102-1993 (R1999), DSNA Max Output, 139.26 Mb)

E1Coax (ITU-T, G703 (10/98), E1 Coax Pair, 2.048 Mb/s)

E1Symmetrical (ITU-T, G703 (10/98), E1 Sym Pair, 2.048 Mb/s)

E2 (ITU-T, G703 (10/98), E2, 8.448 Mb/s)

E3 (ITU-T, G703 (10/98), E3, 34.368 Mb/s)

E4_0 (ITU-T, G703 (10/98), E4 Binary 0)

E4_1 (ITU-T, G703 (10/98), E4 Binary 1)

ENET100FX

ENET100STP (IEEE Std 802.3 and ANSI X3.263-1995, 100 Base-Tx, STP, 125 Mb/s)

ENET100UTP (IEEE Std 802.3 and ANSI X3.263-1995, 100 Base-Tx, UTP, 125 Mb/s)

ENET1000BCX_ATP2 (1000B-CX Abs, TP2, 1.25 Gb/s)

ENET1000BCX_ATP3 (1000B-CX Abs, TP3, 1.25 Gb/s)

ENET1000BCX_NTP2 (1000B-CX Norm, TP2, 1.25 Gb/s)

ENET1250 (IEEE Std 802.3 and ANSI X3.263-1995, GB Ethernet, 1.25 Gb/s)

ENETXAUI_FAR (10 Gigabit Attachment Unit Interface (XAUI), Far, 3.125 Gb/s)

ENETXAUI_Near (10 Gigabit Attachment Unit Interface (XAUI), Near, 3,125 Gb/s)

FC133 (ANSI X3.230-1999 NCITS 1235D/Rev 11, Optical, 132.8 Mb/s)
FC133E (ANSI X3.230-1999 NCITS 1235D/Rev 11, Electrical 132.8 Mb/s)
FC266 (ANSI X3.230-1999 NCITS 1235D/Rev 11, Optical, 265.6 Mb/s)
FC266E (ANSI X3.230-1999 NCITS 1235D/Rev 11, Electrical, 132.8 Mb/s)
FC531 (ANSI X3.230-1999 NCITS 1235D/Rev 11, Optical, 531.2 Mb/s)
FC531E (ANSI X3.230-1999 NCITS 1235D/Rev 11, Electrical, 531.2 Mb/s)
FC1063 (ANSI X3.230-1999 NCITS 1235D/Rev 11, Optical, 1.065 Gb/s)
FC1063E (ANSI X3.230-1999 NCITS 1235D/Rev 11, Electrical, 1.0625 Gb/s)
FC1063E_ABT (ANSI X3.230-1999 NCITS 1235D/Rev 11, Abs, Beta, Transm)
FC1063E_ADT (ANSI X3.230-1999 NCITS 1235D/Rev 11, Abs, Beta, Transm)
FC1063E_AGT (ANSI X3.230-1999 NCITS 1235D/Rev 11, Abs, Gamma, Transm)
FC1063E_NBT (ANSI X3.230-1999 NCITS 1235D/Rev 11, Norm, Beta, Transm)
FC1063E_NDT (ANSI X3.230-1999 NCITS 1235D/Rev 11, Norm, Delta, Transm)
FC1063E_NGT (ANSI X3.230-1999 NCITS 1235D/Rev 11, Norm, Gamma, Transm)
FC1063E_ABR (ANSI X3.230-1999 NCITS 1235D/Rev 11, Abs, Beta, Recv)
FC1063E_ADR (ANSI X3.230-1999 NCITS 1235D/Rev 11, Abs, Delta, Recv)
FC1063E_AGR (ANSI X3.230-1999 NCITS 1235D/Rev 11, Abs, Gamma, Recv)
FC1063Draft (ANSI X3.230-1999 NCITS 1235D/Rev 11, Optical, Draft Rev 11)
FC2125 (ANSI X3.230-1999 NCITS 1235D/Rev 11, Optical, 2.125)
FC2125E_ABT (ANSI X3.230-1999 NCITS 1235D/Rev 11, Abs, Beta, Transm)
FC2125E_ADT (ANSI X3.230-1999 NCITS 1235D/Rev 11, Abs, Delta, Transm)
FC2125E_AGT (ANSI X3.230-1999 NCITS 1235D/Rev 11, Abs, Gamma, Transm)
FC2125E_NBT (ANSI X3.230-1999 NCITS 1235D/Rev 11, Norm, Beta, Transm)
FC2125E_NDT (ANSI X3.230-1999 NCITS 1235D/Rev 11, Norm, Delta, Transm)
FC2125E_NGT (ANSI X3.230-1999 NCITS 1235D/Rev 11, Norm, Gamma, Transm)
FC2125E_ABR (ANSI X3.230-1999 NCITS 1235D/Rev 11, Abs, Beta, Recv)
FC2125E_ADR (ANSI X3.230-1999 NCITS 1235D/Rev 11, Abs, Delta, Recv)
FC2125E_AGR (ANSI X3.230-1999 NCITS 1235D/Rev 11, Abs, Gamma, Recv)

FC4250E_ABT (ANSI X3.230-1999 NCITS 1235D/Rev 4.0, Abs, Beta, Transm)
 FC4250E_ADT (ANSI X3.230-1999 NCITS 1235D/Rev 4.0, Abs, Delta, Transm)
 FC4250E_AGT (ANSI X3.230-1999 NCITS 1235D/Rev 4.0, Abs, Gamma, Transm)
 FC4250E_NBT (ANSI X3.230-1999 NCITS 1235D/Rev 4.0, Norm, Beta, Transm)
 FC4250E_NDT (ANSI X3.230-1999 NCITS 1235D/Rev 4.0, Norm, Delta, Transm)
 FC4250E_NGT (ANSI X3.230-1999 NCITS 1235D/Rev 4.0, Norm, Gamma, Transm)
 FC4250E_ABR (ANSI X3.230-1999 NCITS 1235D/Rev 4.0, Abs, Beta, Recv)
 FC4250E_ADR (ANSI X3.230-1999 NCITS 1235D/Rev 4.0, Abs, Delta, Recv)
 FC4250E_AGR (ANSI X3.230-1999 NCITS 1235D/Rev 4.0, Abs, Gamma, Recv)
 FST1 (USB, FS:T1, 12 Mb/s)
 FST2 (USB, FS:T2, 12 Mb/s)
 FST3 (USB, FS:T3, 12 Mb/s)
 FST4 (USB, FS:T4: 12 Mb/s)
 FST5 (USB, FS:T5, 12 Mb/s)
 FST6 (USB, FS:T6, 12 Mb/s)
 FW1394BS400B (IEEE 1394b, S400 Optical, 491.5 Mb/s)
 FW1394BS400BT1 (IEEE 1394b, S400b T1, 491.5 Mb/s)
 FW1394BS400BT2 (IEEE 1394b, S400b T2, 491.5 Mb/s)
 FW1394BS800B (IEEE 1394b, S800 Optical, 988.0 Mb/s)
 FW1394BS800BT1 (IEEE 1394b, S800b T1, 983.0 Mb/s)
 FW1394BS800BT2 (IEEE 1394b, S800b T2, 983.0 Mb/s)
 FW1394BS1600B (IEEE 1394b, S1600 Optical, 1.966 Gb/s)
 FW1394BS1600BT1 (IEEE 1394b, S1600b T1, 1.966 Gb/s)
 FW1394BS1600BT2 (IEEE 1394b, S1600b T2, 1.966 Gb/s)
 G703D1 (ITU-T, G703 (10/98), DS1 Rate, 1.544 Mb/s)
 G703DS3 (ITU-T, G703 (10/98))
 HST1 (USB, HS:T1, 480 Mb/s) G703DS3 (ITU-T, G703 (10/98))
 HST2 (USB, HS:T2, 480 Mb/s) G703DS3 (ITU-T, G703 (10/98))
 HST3 (USB, HS:T3, 480 Mb/s)

HST4 (USB, HS:T4, 480 Mb/s)
HST5 (USB, HS:T5, 480 Mb/s)
HST6 (USB, HS:T6, 480 Mb/s)
INF2_5G (InfiniBand, IBTA Spec 1.0a, 2.5 Optical, 2.5 Gb/s)
INF2_5GE (InfiniBand, IBTA Spec 1.0a, 2.5 Electrical, 2.5 Gb/s)
NONE
OC1 (GR 253-CORE Issue 3 9/21/2000 OC1/STM0, 51.84 Mb/s)
OC3 (GR 253-CORE Issue 3 9/21/2000 OC1/STM1, 155.52, Mb/s)
OC12 (GR 253-CORE Issue 3 9/21/2000 OC1/STM4, 622.08 Mb/s)
OC48 (GR 253-CORE Issue 3 9/21/2000 OC1/STM16, 2.4883 Gb/s)
OC48_FEC (Forward Error Correction - CSA8000 mask, 2.666 Gb/s)
PCIEXPRESS_Xmit (PCI Express Transmitter, 2.5 Gb/s)
PCIEXPRESS_Rcv (PCI Express Receiver, 2.5 Gb/s)
RATE32Mbit (ITU-T, G703 (10/98), 32.064 Mb/s)
RATE97Mbit (ITU-T, G703 (10/98), 97 Mbit, 97.728 Mb/s)
RIO_DRV1G (Rapid IO Driver, 1 Gb/s)
RIO_DRV1_5G (Rapid IO Driver, 5 Gb/s)
RIO_DRV2G (Rapid IO Driver, 2 Gb/s)
RIO_DRV500M (Rapid IO Driver, 500 Mb/s)
RIO_DRV750M (Rapid IO Driver, 750 Mb/s)
RIO_EDRV1G (Rapid IO Extended Driver, 1 Gb/s)
RIO_EDRV1_5G (Rapid IO Extended Driver, 1.5 Gb/s)
RIO_EDRV2G (Rapid IO Extended Driver, 2 Gb/s)
RIO_EDRV500M (Rapid IO Extended Driver, 500 Mb/s)
RIO_EDRV750M (Rapid IO Extended Driver, 750 Mb/s)
RIO_RCV500M (Rapid IO Receiver, 500 Mb/s)
RIO_RCV750M (Rapid IO Receiver, 750 Mb/s)
RIO_RCV1G (Rapid IO Receiver, 1 Gb/s)
RIO_RCV1_5G (Rapid IO Receiver, 1.5 Gb/s)
RIO_RCV2G (Rapid IO Receiver, 2 Gb/s)
RIO_SERIAL_1G (Rapid IO Serial, 1.25 Gb/s)

RIO_SERIAL_2G (Rapid IO Serial, 2.5 Gb/s)
 RIO_SERIAL_3G (Rapid IO Serial, 3.25 Gb/s)
 SFI5_XMITADATA2 (SFI15 Transmit: Test Point A Data Signal 2, 2.488 Gb/s)
 SFI5_XMITCDATA2 (SFI15 Transmit: Test Point C Data Signal 2, 2.488 Gb/s)
 SFI5_XMITACLK2 (SFI15 Transmit: Test Point A Clock Signal 2, 2.488 Gb/s)
 SFI5_XMITCCLK2 (SFI15 Transmit: Test Point C Clock Signal 2, 2.488 Gb/s)
 SFI5_RCVBDATA2 (SFI15 Receive: Test Point B Data Signal 2, 2.488 Gb/s)
 SFI5_RCVDDATA2 (SFI15 Receive: Test Point D Data Signal 2, 2.488 Gb/s)
 SFI5_RCVBCLK2 (SFI15 Receive: Test Point B Clock Signal 2, 2.488 Gb/s)
 SFI5_RCVDCLK2 (SFI15 Receive: Test Point D Clock Signal 2, 2.488 Gb/s)
 SFI5_XMITADATA3 (SFI15 Transmit: Test Point A Data Signal 3, 3.125 Gb/s)
 SFI5_XMITCDATA3 (SFI15 Transmit: Test Point C Data Signal 3, 3.125 Gb/s)
 SFI5_XMITACLK3 (SFI15 Transmit: Test Point A Clock Signal 3, 3.125 Gb/s)
 SFI5_XMITCCLK3 (SFI15 Transmit: Test Point C Clock Signal 3, 3.125 Gb/s)
 SFI5_RCVBDATA3 (SFI15 Receive: Test Point B Data Signal 3, 3.125 Gb/s)
 SFI5_RCVDDATA3 (SFI15 Receive: Test Point D Data Signal 3, 3.125 Gb/s)
 SFI5_RCVBCLK3 (SFI15 Receive: Test Point B Clock Signal 3, 3.125 Gb/s)
 SFI5_RCVDCLK3 (SFI15 Receive: Test Point D Clock Signal 3, 3.125 Gb/s)
 STM0_0 (ITU-T, G703 (10/98), STM1E Binary 0)
 STM0_1 (ITU-T, G703 (10/98), STM1E Binary 1)
 STM0_HDBX
 STS1Eye (ANSI T1.102-1993 (R1999), STS-1 Eye, 51.84 Mb/s)
 STS1Pulse (ANSI T1.102-1993 (R1999), STS-1 Pulse, 51.84 Mb/s)
 STS3 (ANSI T1.102-1993 (R1999), STS-3, 155.52 Mb/s)
 STS3_Max (ANSI T1.102-1993 (R1999), STS-3 Max Output, 155.52 Mb/s)
 TFI15_2 (TFI-5, 2.488 Gb/s)
 TFI15_3 (TFI-5, 3.1104 Gb/s)
 USERMask
 VIDEO270
 VIDEO292M
 VIDEO360

VSROC192 (VSR OC192/STM64, 1.24416 Gb/s)

- Examples** MASK:STANDARD E1COAX selects the E1 Coax standard mask.
- MASK:STANDARD? might return :MASK:STANDARD E1COAX, indicating that the E1 Coax mask is selected as the current mask standard.

MASK:STOPOnviolation

This command sets or returns the stop on violation setting. When enabled, this command stops waveform acquisitions on the first occurrence of a waveform violation. [MASK:DISplay](#) must be ON for the instrument to detect violations.

Group Mask

Syntax MASK:STOPOnviolation {OFF|ON|<NR1>}
MASK:STOPOnviolation?

- Arguments** ON stops waveform acquisition on the first occurrence of a mask violation.
- OFF turns off mask test stop on violation.
- <NR1> = 0 turns off stop on violation; any other value turns on stop on violation.

- Examples** MASK:STOPONVIOLATION ON sets the instrument to stop waveform acquisition on the first occurrence of a waveform violation.
- MASK:STOPONVIOLATION? might return :MASK:STOPONVIOLATION ON, indicating that the stops waveform acquisitions on the first occurrence of a waveform violation is enabled.

MASK:TEST:AUX:COMPLetion

This command sets or returns the test:aux on pass/fail test completion mode. When enabled, this command causes the instrument to provide a TTL signal at the Aux:Out port when the mask pass/fail status changes to 'Failing'.

Group Mask

Syntax MASK:TEST:AUX:COMPLetion {OFF|ON|<NR1>}
MASK:TEST:AUX:COMPLetion?

Arguments ON turns on the pass/fail mask:test:aux on completion.
 OFF turns off the pass/fail mask:test:aux on completion.
 <NR1> = 0 disables the mask:test:aux:completion function; any other value enables it.

Examples MASK:TEST:AUX:COMPLETION ON turns on the pass/fail test on completion.
 MASK:TEST:AUX:COMPLETION? might return :MASK:TEST:AUX:COMPLETION ON, indicating that the test:aux on pass/fail test completion mode is turned on.

MASK:TEST:AUX:FAILure

This command sets or returns the test:aux status on pass/fail test failure mode. When enabled, this command causes the instrument to provide a TTL signal at the AuxOut port when the pass/fail status changes to 'Failing'.

Group Mask

Syntax MASK:TEST:AUX:FAILure {OFF|ON|<NR1>}
 MASK:TEST:AUX:FAILure?

Arguments ON turns on the pass/fail mask:test:aux on failure.
 OFF turns off the pass/fail mask:test:aux on failure. This is the default.
 <NR1> = 0 disables the mask:test:aux:failure function; any other value enables it.

Examples MASK:TEST:AUX:FAILURE ON turns on the pass/fail test on failure.
 MASK:TEST:AUX:FAILURE? might return :MASK:TEST:AUX:FAILURE ON, indicating that the pass/fail mask:test:aux on failure is turned on.

MASK:TEST:BEEP:COMPLetion

This command sets or returns the beep on pass/fail test completion mode. When enabled, this command causes the instrument to emit a tone when the mask pass/fail test completes.

Group Mask

Syntax MASK:TEST:BEEP:COMPLEtion {OFF|ON|<NR1>}
 MASK:TEST:BEEP:COMPLEtion?

Arguments ON turns on the pass/fail beep on completion.
 OFF turns off the pass/fail beep on completion.
 <NR1> = 0 turns off the pass/fail beep on completion, any other integer turns on the pass/fail beep on completion.

Examples MASK:TEST:BEEP:COMPLETION ON turns on pas/fail beep on completion.
 MASK:TEST:BEEP:COMPLETION? might return
 :MASK:TEST:BEEP:COMPLETION ON, indicating that the
 pass/fail beep on completion is turned on.

MASK:TEST:BEEP:FAILure

This command sets or returns the beep status on pass/fail test failure mode. When enabled, this command causes the instrument to emit a tone when the pass/fail status changes to 'Failing'.

Group Mask

Syntax MASK:TEST:BEEP:FAILure {OFF|ON|<NR1>}
 MASK:TEST:BEEP:FAILure?

Arguments ON turns on the pass/fail beep on failure.
 OFF turns off the pass/fail beep on failure. This is the default.
 <NR1> = 0 turns off the pass/fail beep on failure, and any other integer turns on the pass/fail beep on failure.

Examples MASK:TEST:BEEP:FAILURE OFF turns off the pass/fail beep on failure.
 MASK:TEST:BEEP:FAILURE? might return :MASK:TEST:BEEP:FAILURE ON,
 indicating that the pass/fail beep on failure is turned on.

MASK:TEST:DELAy

This command sets or returns the amount of time, in seconds, to wait after starting pass/fail testing to evaluate waveforms. This is useful if the test system requires 'settling' time before evaluating waveforms.

Group	Mask
Syntax	MASK:TEST:DElay <NR3> MASK:TEST:DElay?
Arguments	<NR3> is a floating point number that specifies the amount of time, in seconds, to delay the start of the pass/fail test.
Examples	MASK:TEST:DELAY 2.5 delays waveform evaluation by 2.5 seconds after the start of pass/fail testing. MASK:TEST:DELAY? might return :MASK:TEST:DELAY 5, indicating that the amount of time to wait after starting pass/fail testing to evaluate waveforms is set to 5 seconds.

MASK:TEST:HARDCopy

This command sets or returns the hard copy in pass/fail failure mode. When enabled, this command causes the instrument to generate a screen hard copy, to the default printer using the current instrument hard copy settings, as soon as the pass/fail status changes to 'Failing'.

Group	Mask
Syntax	MASK:TEST:HARDCopy {OFF ON <NR1>} MASK:TEST:HARDCopy?
Arguments	ON turns on generate hard copy on failure. OFF turns off generate hard copy on failure. <NR1> = 0 turns off generate hard copy on failure, and any other value turns on generate hard copy on failure.
Examples	MASK:TEST:HARDCOPY ON turns on generate hard copy on failure. MASK:TEST:HARDCOPY? might return :MASK:TEST:HARDCOPY ON, indicating that the generate hard copy on failure is turned on.

MASK:TEST:LOG:FAILure

This command sets or returns the log status on pass/fail test failure mode. When enabled, this command causes the instrument to log the current date and time to a file when the pass/fail status changes to 'Failing'. The file name is determined from the current date and time. The user cannot change this name.

Group Mask

Syntax MASK:TEST:LOG:FAILure {OFF|ON|<NR1>}
 MASK:TEST:LOG:FAILure?

Related Commands [MASK:TEST:SAVEWFM:FILENAME](#)

Arguments ON turns on the pass/fail log on failure.
 OFF turns off the pass/fail log on failure. This is the default.
 <NR1> = 0 turns off the pass/fail log on failure, and any other integer turns on the pass/fail log on failure.

Examples MASK:TEST:LOG:FAILURE OFF turns off the pass/fail log on failure.
 MASK:TEST:LOG:FAILURE? might return :MASK:TEST:LOG:FAILURE ON, indicating that the pass/fail log on failure is turned on.

MASK:TEST:REPeat

This command sets or returns the repeat pass/fail test on completion mode. When enabled, this command repeats the pass/fail test cycle at the completion of the previous test cycle.

Group Mask

Syntax MASK:TEST:REPeat {OFF|ON|<NR1>}
 MASK:TEST:REPeat?

Related Commands [MASK:COUNt:VIOLATIONS?](#)

Arguments ON turns on repeat on completion.
 OFF turns off repeat on completion.

<NR1> = 0 turns off repeat on completion, and any other integer turns on repeat on completion.

Examples MASK:TEST:REPEAT ON causes the instrument to continuously repeat the pass/fail test.

MASK:TEST:REPEAT? might return :MASK:TEST:REPEAT ON, indicating that the repeat pass/fail test on completion is turned on.

MASK:TEST:SAMple

This command sets or returns the minimum number of waveform database (WfmDB) points the instrument can acquire before it stops a single sequence acquisition or stops running a mask test.

Hint: a bigger sample size may allow a greater throughput (more waveforms to get acquired at a time). However, a very large sample size may slow down the display update. So if you want to speed up the display rate, consider reducing the sample size.

This command works the same as the [ACQUIRE:NUMSAMPLES](#) command.

Group Mask

Syntax MASK:TEST:SAMple {<NR1>}
MASK:TEST:SAMple?

Arguments <NR1> the number of points to sample.

Examples MASK:TEST:SAMPLE 100000 sets the instrument to acquire 100,000 WfmDB points.

MASK:TEST:SAMPLE? might return :MASK:TEST:SAMPLE 100000, indicating that the repeat pass/fail test on completion is set to 100,000 WfmDB points.

MASK:TEST:SAMple:THReshold

This command sets or returns the minimum number of hits in mask regions needed to cause the pass/fail status to change from PASSING to FAILING. This affects the mask test when the instrument is acquiring in waveform database (WfmDB) mode.

Group Mask

Syntax MASK:TEST:SAMPle:THReshoId {<NR1>}
 MASK:TEST:SAMPle:THReshoId?

Arguments <NR1> is the number of hits that can happen when the test fails.

Examples MASK:TEST:SAMPLE:THRESHOLD 100 sets the test to fail when 100 or more hits happen.

MASK:TEST:SAMPLE:THRESHOLD? might return :MASK:TEST:THRESHOLD 1000, indicating that the repeat pass/fail test on completion is set to 1000 WfmDB points.

MASK:TEST:SAVEWFM

This command sets or returns the save waveform to file on failure setting. When enabled, this command copies waveform data from active channels to files when the pass/fail test status changes to 'Failing'.

NOTE. *This instrument saves files only on the first violation that causes the pass/fail test to fail. To generate a waveform file for every violation occurrence, set [MASK:TEST:REPeat](#) to ON and [MASK:TEST:WAVEform](#) to 1. Use this technique only when the expected number of violations is small and the violation occurs intermittently.*

Group Mask

Syntax MASK:TEST:SAVEWFM {OFF|ON|<NR1>}
 MASK:TEST:SAVEWFM?

Arguments ON turns on copying all active channel waveforms to files.

OFF turns off copying all active channel waveforms to files.

<NR1> = 0 turns off copying all active channel waveforms to files, and any other integer turns on copying all active channel waveforms to files.

Examples MASK:TEST:SAVEWFM ON sets the instrument to save the failing waveform data to files.

MASK:TEST:SAVEWFM? might return :MASK:TEST:SAVEWFM 1000, indicating that the repeat pass/fail test on completion is set to 1000 WfmDB points.

MASK:TEST:SAVEWFM:FILENAME

This command sets or returns the name of the directory and file to use with the [MASK:TEST:SAVEWFM](#) command. It defines the directory the files will be put in (name comes from date and time).

Group Mask

Syntax MASK:TEST:SAVEWFM:FILENAME <QString>
MASK:TEST:SAVEWFM:FILENAME?

Related Commands [MASK:TEST:SAVEWFM](#), [MASK:TEST:LOG:FAILURE](#)

Arguments <QString> is a string representing the name of the file to save waveform data to.

Examples MASK:TEST:SAVEWFM:FILENAME "TEST" sets the file "TEST" as the file to save waveform data to on failure.

MASK:TEST:SAVEWFM:FILENAME? might return
:MASK:TEST:SAVEWFM:FILENAME "C:/TekScope/Waveforms", indicating that the directory "C:/TekScope/Waveforms" the files will be put in.

MASK:TEST:SRQ:COMPLETION

This command sets or returns an SRQ on pass/fail test completion mode. When enabled, this command causes the instrument to send a GPIB SRQ command when the mask pass/fail test completes.

Group Mask

Syntax MASK:TEST:SRQ:COMPLETION {OFF|ON|<NR1>}
MASK:TEST:SRQ:COMPLETION?

Arguments ON turns on the pass/fail SRQ on completion.

OFF turns off the pass/fail SRQ on completion.

<NR1> = 0 turns off the pass/fail SR on completion, any other integer turns on the pass/fail SRQ on completion.

Examples `MASK:TEST:SRQ:COMPLETION ON` turns on pass/fail SRQ on completion.
`MASK:TEST:SRQ:COMPLETION?` might return `:MASK:TEST:SRQ:COMPLETION 1`, indicating that the pass/fail SRQ on completion is turned on.

MASK:TEST:SRQ:FAILure

This command sets or returns the SRQ status on pass/fail test failure mode. When enabled, this command causes the instrument to send a GPIB SRQ command when the pass/fail status changes to 'Failing'. In other words, it sends an SRQ when a failure occurs during the mask pass/fail test.

Group Mask

Syntax `MASK:TEST:SRQ:FAILure {OFF|ON|<NR1>}`
`MASK:TEST:SRQ:FAILure?`

Arguments `ON` turns on the pass/fail SRQ on failure.
`OFF` turns off the pass/fail SRQ on failure. This is the default.
`<NR1> = 0` turns off the pass/fail SRQ on failure, and any other integer turns on the pass/fail SRQ on failure.

Examples `MASK:TEST:SRQ:FAILURE OFF` turns off the pass/fail SRQ on failure.
`MASK:TEST:SRQ:FAILURE?` might return `:MASK:TEST:SRQ:FAILURE 1`, indicating that the pass/fail SRQ on failure is turned on.

MASK:TEST:STATE

This command sets or returns the state of mask pass/fail testing. When enabled, this command resets the pass/fail status information and starts pass/fail mask testing. This command also generates an 'Operation Complete' message when pass/fail testing completes. Refer to [BUSY?](#) and [*OPC](#) commands for information on synchronizing a controller with pass/fail testing.

Group Mask

Syntax `MASK:TEST:STATE {OFF|ON|<NR1>}`
`MASK:TEST:STATE?`

Arguments ON turns on mask pass/fail testing.
 OFF turns off mask pass/fail testing.
 <NR1> = 0 turns off mask pass/fail testing; any other integer turns on mask pass/fail testing.

Examples MASK:TEST:STATE ON turns on mask pass/fail testing.
 MASK:TEST:STATE? might return :MASK:TEST:STATE 0, indicating that the mask pass/fail testing is turned off.

MASK:TEST:STATUS? (Query Only)

This query-only command returns the pass/fail test status. This command returns one of: OFF, DELAY, PASSING, FAILING, PASSED, FAILED, and VIOLATION. In other words, it indicates the result of the pass/fail test. When the violation count exceeds the violation threshold, the status changes from Passing to Failed.

Group Mask

Syntax MASK:TEST:STATUS?

Examples MASK:TEST:STATUS? might return :MASK:TEST:STATUS PASSING indicates pass test status.

MASK:TEST:STOP:FAILure

This command sets or returns the stop status on pass/fail test failure mode. When enabled, this command causes the instrument to stop acquiring data when the pass/fail status changes to 'Failing'. Repeat-on-completion mode has no effect.

Group Mask

Syntax MASK:TEST:STOP:FAILure {OFF|ON|<NR1>}
 MASK:TEST:STOP:FAILure?

Arguments ON turns on the pass/fail stop on failure.
 OFF turns off the pass/fail stop on failure. This is the default.

<NR1> = 0 turns off the pass/fail stop on failure, and any other integer turns on the pass/fail SRQ on failure.

Examples MASK:TEST:STOP:FAILURE OFF turns off the pass/fail stop on failure.
MASK:TEST:STOP:FAILURE? might return :MASK:TEST:STATE 0, indicating that the mask pass/fail testing is turned off.

MASK:TEST:THReshold

This command sets or returns the number of failed tested waveforms needed in each pass/fail test to cause the pass/fail status to change from 'Passing' to 'Failing'.

Group Mask

Syntax MASK:TEST:THReshold <NR1>
MASK:TEST:THReshold?

Arguments <NR1> is an integer that represents the number of tested waveform violations occurring in each pass/fail test needed to change the pass/fail status to 'Failing'. This means that if the threshold is set to the default of 1 then 1 failure would cause a test failure. If the threshold is set to 2 then 2 failures would cause a test failure.

Examples MASK:TEST:THRESHOLD 20 sets the number of failed tested waveforms to 20 that is needed in each pass/fail test to cause the pass/fail status to change from 'Passing' to 'Failing'.
MASK:TEST:THRESHOLD? might return :MASK:TEST:THRESHOLD 32, indicating that the 32 failures would cause a test failure.

MASK:TEST:WAVEform

This command sets or returns the number of waveforms to test during pass/fail testing. If Averaging is on, this is the number of averaged waveforms to test during pass/fail testing. It specifies the number of waveforms to be acquired in counting the mask hits in the pass/fail test. The default is 20.

Group Mask

Syntax	<code>MASK:TEST:WAVEform <NR1></code> <code>MASK:TEST:WAVEform?</code>
Arguments	<NR1> is an integer that sets the number of tested (sampled or averaged) waveforms to test for each pass/fail test.
Examples	<code>MASK:TEST:WAVEFORM 20</code> sets the number of failures that would cause a test failure to 20. <code>MASK:TEST:WAVEFORM?</code> might return <code>:MASK:TEST:WAVEFORM 50</code> , indicating that the 50 failures would cause a test failure.

MASK:USER:AMPLitude

This command sets or returns the current mask's nominal pulse amplitude in volts. The query form of this command returns the nominal pulse amplitude of the displayed mask. The set form of this command only affects the user mask, regardless of the current (displayed) mask.

Group	Mask
Syntax	<code>MASK:USER:AMPLitude <NR3></code> <code>MASK:USER:AMPLitude?</code>
Related Commands	MASK:USER:VSCALE
Arguments	<NR3> is a floating number that sets the nominal pulse amplitude in volts.
Examples	<code>MASK:USER:AMPLITUDE 2.4</code> sets the user mask nominal pulse amplitude to 2.4 volts. <code>MASK:USER:AMPLITUDE?</code> might return <code>:MASK:USER:AMPLITUDE 100.0000E-3</code> , indicating that the user mask nominal pulse amplitude to set to 0.1 volts.

MASK:USER:BITRate

This command sets or returns the bit rate for the user mask.

Group	Mask
Syntax	<code>MASK:USER:BITRate <NR1></code> <code>MASK:USER:BITRate?</code>
Arguments	<NR1> is a number that sets the bit rate of the user mask in bits per second.
Examples	<code>MASK:USER:BITRATE 156E6</code> sets the bit rate. <code>MASK:USER:BITRATE?</code> might return <code>:MASK:USER:BITRATE 1560000</code> , indicating that the bit rate of the user mask is set to 1560000 bits per second.

MASK:USER:HSCALE

This command sets or returns the nominal timing resolution used to draw the mask, in time/division. The query form of this command returns the nominal timing resolution of the displayed mask. The set form of this command only affects the user mask, regardless of the current (displayed) mask.

Group	Mask
Syntax	<code>MASK:USER:HSCALE <NR3></code> <code>MASK:USER:HSCALE?</code>
Related Commands	MASK:USER:HTRIGPOS
Arguments	<NR3> is a floating point number that sets the mask drawing timing resolution.
Examples	<code>MASK:USER:HSCALE 200E-9</code> , sets the nominal timing resolution used to draw the mask to 200 nanoseconds per division. <code>MASK:USER:HSCALE?</code> might return <code>:MASK:USER:HSCALE 40.0000E-9</code> , indicating that the nominal timing resolution used to draw the mask pulse shape is set to 40 nanoseconds per division.

MASK:USER:HTRIGPOS

This command sets or returns the nominal trigger position (pulse leading edge) used to draw the mask as a fraction of the display width. The query form of this command returns the nominal trigger position of the displayed mask. The

set form of this command only affects the user mask, regardless of the current (displayed) mask.

Group Mask

Syntax MASK:USER:HTRIGPOS <NR3>
MASK:USER:HTRIGPOS?

Related Commands [MASK:USER:HSCALE](#)

Arguments <NR3> is a floating point number in the range of 0.0 to 1.0 that sets the trigger points as a fraction of the display width, referenced from the left edge of the graticule.

0.0 represents the left edge.

Examples MASK:USER:HTRIGPOS 0.6 sets the nominal trigger position of the displayed mask to 0.6.

MASK:USER:HTRIGPOS? might return :MASK:USER:HTRIGPOS 500.0000E-3, indicating that the nominal trigger position of the displayed mask is set to 0.5.

MASK:USER:LABEL

This command sets or queries the label assigned to a user mask. This label is displayed in the upper left-hand corner of the graticule when a user mask is selected.

Group Mask

Syntax MASK:USER:LABEL <string>
MASK:USER:LABEL?

Arguments <string> is an alphanumeric character string used to annotate a user mask label.

Examples MASK:USER:LABEL "mikesdata" assigns "mikesdata" as the user mask label.

MASK:USER:LABEL? might return :MASK:USER:LABEL "mikesdata", indicating that the label assigned to a user mask is set to "mikesdata".

MASK:USER:PATTERNBITS

This command sets or returns the number of bits used for serial trigger for the User mask standard. For example, DS1 requires six bits, four leading zeros, a one, and a trailing zero. The query form of this command returns the serial bit value of the displayed mask. The set form of this command only affects the User mask, regardless of the current (displayed) mask.

Group Mask

Syntax MASK:USER:PATTERNBITS <NR1>
MASK:USER:PATTERNBITS?

Related Commands [MASK:USER:PRESAMPBITS](#)

Arguments <NR1> is an integer that sets the number of bits.

Examples MASK:USER:PATTERNBITS 6 sets the serial bit value of the displayed mask to 6.
MASK:USER:PATTERNBITS? might return :MASK:USER:PATTERNBITS 1, indicating that the serial bit value of the displayed mask is set to 1.

MASK:USER:PRESAMPBITS

This command sets or returns the number of bits before the (isolated one) pulse leading edge in the serial trigger pass/fail testing. For example, DS1 has four leading zeros. The query form of this command returns the presample bit value of the displayed mask. The set form of this command only affects the user mask, regardless of the current (displayed) mask.

Group Mask

Syntax MASK:USER:PRESAMPBITS <NR1>
MASK:USER:PRESAMPBITS?

Related Commands [MASK:USER:PATTERNBITS](#)

Arguments <NR1> is an integer that sets the number of bits before the trigger pulse.

Examples MASK:USER:PRESAMPBITS 4 sets the presample bit value of the displayed mask to 4.

MASK:USER:PRESAMPBITS? might return :MASK:USER:PRESAMPBITS 0, indicating that the presample bit value of the displayed mask is set to 0.

MASK:USER:RECOrdlength

This command sets or returns the nominal record length for pulse mask testing. The query form of this command returns the record length value of the displayed mask. The set form of this command only affects the user mask, regardless of the current (displayed) mask.

Group Mask

Syntax MASK:USER:RECOrdlength <NR1>
MASK:USER:RECOrdlength?

Arguments <NR1> is an integer number that sets the record length.

Examples MASK:USER:RECORDLENGTH 500 sets the record length value of the displayed mask to 500 points.

MASK:USER:RECORDLENGTH? might return :MASK:USER:RECORDLENGTH 0, indicating that the record length value of the displayed mask is set to 0.

MASK:USER:SEG<m> (No Query Form)

This command deletes the specified mask segment from the user mask, whether or not the user mask is the current mask.

Group Mask

Syntax MASK:USER:SEG<m> DELEte

Arguments <m> is an integer that specifies the user mask segment number to delete from the user mask.

DELETE removes the specified segment from the mask.

Examples MASK:USER:SEG3 DELETE deletes mask segment three from the user mask.

MASK:USER:SEG<m>:NR_Pt? (Query Only)

This query-only command returns the number of points that make up the specified user mask segment. Each mask point consists of a pair of X-Y coordinates.

Group Mask

Syntax MASK:USER:SEG<m>:NR_Pt?

Arguments <m> is an integer that specifies a user mask segment number.

Returns <NR1> is 0 to 50.

Examples MASK:USER:SEG2:NR_PT? might return :MASK:USER:SEG2:NR_PT 5.

MASK:USER:SEG<m>:POINTS

This command sets or returns the X-Y user coordinates of all points in the specified user mask segment. The set form defines new points in the user mask, replacing any existing points in the specified user mask segment. It sets or returns the vertices for a particular segment in the selected mask.

Group Mask

Syntax MASK:USER:SEG<m>:POINTS <NR3>, <NR3> [, <NR3>, <NR3>]
 MASK:USER:SEG<m>:POINTS?

Arguments <m> is an integer that specifies the user mask segment number.

<NR3> refers to the coordinates of one of the vertices in the user mask. Each pair of numbers represents the horizontal and vertical coordinates of a mask segment vertex. The pairs must be listed in a counterclockwise order. If the vertical or horizontal scale or position is changed after this command and then the query form of this command is issued, the value returned from the instrument will not be the same. If just one pair is input, it is ignored and the user mask segment is marked as undefined. The default is not points in the user mask segment.

Examples MASK:USER:SEG2:POINTS -2.3E-9, 44E-3, -2.5E-9, 47E-3, 1.2E-9, 44E-3 defines the points in user mask segment 2.

MASK:USER:SEG2:POINTS? might return :MASK:USER:SEG2:POINTS 0.0000 0.0000, indicating that the X-Y user coordinates for user mask segment 2 in the selected mask is set to 0, 0.

MASK:USER:TRIGTOSAMP

This command sets or returns the time, in seconds, from the (leading edge) trigger position to the pulse bit sampling position. The query form of this command returns the time value of the displayed mask. The set form of this command only affects the user mask, regardless of the current (displayed) mask.

Group Mask

Syntax MASK:USER:TRIGTOSAMP <NR3>
MASK:USER:TRIGTOSAMP?

Related Commands [MASK:USER:WIDTH](#)

Arguments <NR3> is the floating point number that sets the time to the pulse bit sampling position.

Examples MASK:USER:TRIGTOSAMP 162E-9 sets the user mask time from the (leading edge) trigger position to the pulse bit sampling position to 162 nanoseconds.

MASK:USER:TRIGTOSAMP? might return :MASK:USER:TRIGTOSAMP 0.0000, indicating that the time value of the displayed mask is set to 0 nanosecond.

MASK:USER:VOFFSet

This command sets or returns the nominal vertical offset, in volts, used to vertically offset the input channels. The query form of this command returns the offset value of the displayed mask. The set form of this command only affects the user mask, regardless of the current (displayed) mask.

Group Mask

Syntax MASK:USER:VOFFSet <NR3>
MASK:USER:VOFFSet?

Related Commands [MASK:USER:VPOS](#), [MASK:USER:VSCALE](#)

Arguments <NR3> is a floating point number that sets the nominal vertical offset in volts.

Examples MASK:USER:VOFFSET 0.0 sets the user mask nominal vertical offset to 0.0 volts.
 MASK:USER:VOFFSET? might return :MASK:USER:VOFFSET 0.0000, indicating that the nominal vertical offset value of the displayed mask is set to 0 volts.

MASK:USER:VPOS

This command sets or returns the nominal vertical position, control in divisions, used to vertically position the input channels. The query form of this command returns the vertical position value of the displayed mask. The set form of this command only affects the user mask, regardless of the current (displayed) mask.

Group Mask

Syntax MASK:USER:VPOS <NR3>
 MASK:USER:VPOS?

Related Commands [MASK:USER:VOFFSet](#), [MASK:USER:VSCALE](#)

Arguments <NR3> is a floating point number that sets the nominal vertical position control in divisions.

Examples MASK:USER:VPOS -0.8 sets the user mask nominal vertical position to -0.8 divisions.
 MASK:USER:VPOS? might return :MASK:USER:VPOS 0.0000, indicating that the nominal vertical value of the displayed mask is set to 0 divisions.

MASK:USER:VSCALE

This command sets or returns the nominal vertical scale, in volts per division, used to vertically scale the input channels. The query form of this command returns the vertical scale value of the displayed mask. The set form of this command only affects the user mask, regardless of the current (displayed) mask.

Group	Mask
Syntax	MASK:USER:VSCALE <NR3> MASK:USER:VSCALE?
Related Commands	MASK:USER:VOFFSet , MASK:USER:VPOS
Arguments	<NR3> is a floating point number that sets the nominal bit width in seconds.
Examples	MASK:USER:VSCALE 200E-3 sets the user mask nominal vertical scale to 200 millivolts per division. MASK:USER:VSCALE? might return :MASK:USER:VSCALE 1.0000E-3, indicating that the nominal vertical scale of the displayed mask is set to 1 millivolt per division.

MASK:USER:WIDTH

This command sets or returns the nominal bit width in seconds. The query form of this command returns the bit width value of the displayed mask. The set form of this command only affects the user mask, regardless of the current (displayed) mask.

Group	Mask
Syntax	MASK:USER:WIDTH <NR3> MASK:USER:WIDTH?
Related Commands	MASK:USER:TRIGTOSAMP
Arguments	<NR3> is a floating point number that sets the nominal bit width in seconds. This is the time of one bit of data where bit width = 1 / (data rate of the signal).
Examples	MASK:USER:WIDTH 648E-9 sets the user mask nominal bit width to 648 nanoseconds (1.544 Mbits/second). MASK:USER:WIDTH? might return :MASK:USER:WIDTH 1.0000E-3, indicating that the nominal vertical scale of the displayed mask is set to 1 millivolt per division.

MATHArbflt<x>:FILEpath

This command or query sets the file path for a file of filter coefficients. Setting a path will read that file and load the filter for ARBFLT<x>, where x can be 1 to 4.

Group	Math
Syntax	MATHArbflt<x>:FILEpath <QString> MATHArbflt<x>:FILEpath?
Arguments	<QSTRING> specifies the path to the file of filter coefficients.
Examples	MATHARBFLT1:FILEPATH "c:/myfilters/20mhz.fl1t" reads filter coefficients from the file and loads the filter for ARBFLT1. MATHARBFLT1:FILEPATH? might return :MATHARBFLT1:FILEPATH "C:\TekScope\Math Arbitrary Filters\LowPass-Norm\lowpass_0.bw.fl1t", indicating that the path to the file of filter coefficients is set to "C:\TekScope\Math Arbitrary Filters\LowPass-Norm\lowpass_0.bw.fl1t".

MATHArbflt<x>:READFile (No Query Form)

This command forces a reread of the filter file for each arbitrary filter in use. The <x> specifies the filter and can be 1 to 4.

Group	Math
Syntax	MATHArbflt<x>:READFile FORCE
Arguments	FORCE forces a reread of the filter file.
Examples	MATHARBFLT1:READFILE FORCE forces a reread of the filter file at MATHARBFLT1:FILEPATH location for each arbitrary filter in use.

MATHVAR? (Query Only)

This command queries all 8 numerical values you can use within math expressions.

Group	Math
Syntax	MATHVAR?
Related Commands	MATHVAR:VAR<x> , MATH<x>:DEFine
Returns	<NR3> are the stored numerical values.
Examples	MATHVAR? returns the values of all variables stored in locations 1 through 8.

MATHVAR:VAR<x>

This command sets or queries one of 8 different numerical values you can use within math expressions. These values can range from -9.9e37 to 9.9e37; the default values are 0.0. <x> specifies the location, 1 through 8, in which you can store values. Stored math variables can be referenced within math expressions as VAR1, VAR2,...VAR8.

For example, the following command defines MATH1 as the product of Channel 1 and math variable 1: MATH1:DEFINE "CH1 * VAR1".

Group	Math
Syntax	MATHVAR:VAR<x> <NR3> MATHVAR:VAR<x>?
Related Commands	MATHVAR? , MATH<x>:DEFine
Arguments	<NR3> specifies the numerical value to be stored in location x <1 through 8>.
Examples	MATHVAR:VAR3 -2.43E-5 stores the value -2.43e-5 in the third math variable location. MATHVAR:VAR3? might return :MATHVAR:VAR3 24.3000E-6 for the expression stored in location 3.

MATH<x>? (Query Only)

This query-only command returns the definition for the math waveform specified by <x>, which ranges from 1 through 4.

Group Math

Syntax MATH<x>?

Related Commands [SElect:<wfm>](#)

Examples MATH1? might return the following definition of a math waveform: `:MATH1:DEFINE "Ch1-Ch2";UNITSTRING "v";NUMAVG 2;VERTICAL:SCALE 112.0000E-3; POSITION 1.6400;:MATH1:LABEL:NAME "";XPOS 1.0000;YPOS 600.0000E-3;:MATH1:SPECTRAL:MAG DB;PHASE DEGREES;GATEPOS 0.0000;GATEWIDTH 4.0000E-6;REFLEVEL 20.0000;REFLEVELOFFSET 223.6000E-3;SPAN 625.0000E+6;CENTER 312.5000E+6;RESBW 500.0000E+3;WINDOW GAUSSIAN;SUPPRESS -200.0000;UNWRAP 0;LOCK 0.`

MATH<x>:DEFine

This command allows you to define new waveforms using mathematical expressions. Sending this command is equivalent to selecting Math Setup from the Math menu, selecting a math waveform (Math 1 through Math 4), and then entering a math expression in the Math<x> box. The query form of this command returns the math definition for the specified math waveform.

You can specify a math expression from waveforms, measurements and scalar sources, functions, operands, and numerical constants. You can define and display up to four math waveforms simultaneously.

Math expressions can be simple, such as Ch1, which specifies that a waveform should show the signal source of Channel 1 with no mathematical computation. Math expressions can also be complex, consisting of 100 plus characters and comprising many sources (including other math waveforms), functions, and operands. As an example, you can enter the expression `Log(Ch1+Ch2)`, which specifies that the signals from channels 1 and 2 are to be algebraically added, and the base 10 log of the sum is to be shown as the final math waveform.

For more information about constructing mathematical expressions, see *Creating and Using Math Waveforms* in the user online help for this instrument.

Group	Math
Syntax	MATH<x>:DEFine <QString> MATH<x>:DEFine?
Related Commands	MATHVAR:VAR<x>
Arguments	<QString> quoted string argument is the mathematical expression that defines the waveform.
Examples	MATH2:DEFINE "CH1+CH2" adds the Channel 1 and Channel 2, storing the results in Math 2 waveform. MATH1:DEFINE? might return :MATH1:DEFINE "CH2*REF2" as the expression that defines Math 1 waveform.

MATH<x>:FILTER:MODE

This command or query sets or returns the filter risetime parameter.

Group	Math
Syntax	MATH<x>:FILTER:MODE {CENTerEd SHIFted} MATH<x>:FILTER:MODE?
Arguments	CENTERED sets the value at any point to the average of that point in the source waveform and N points on either side of that point. SHIFTED sets the value at any point to the average of that point in the source waveform and 2N points before that in the source waveform. This shifts a rising edge to the right side of the screen. Shifted mode is sometimes called a causal filter since the value at any point is not caused by points after it in time.
Examples	MATH1:FILTER:MODE SHIFTED sets the filter mode to shifted. MATH1:FILTER:MODE? might return :MATH1:FILTER:MODE CENTERED, indicating that the filter rise time parameter is set to CENTERED mode for Math 1 waveform.

MATH<x>:FILTer:RISetime

This command or query sets or returns the filter rise time parameter.

Group Math

Syntax MATH<x>:FILTer:RISetime <nr3>
MATH<x>:FILTer:RISetime?

Arguments <nr3> sets how the filter affects a signal. The bandwidth of the filter is approximately $0.35 / (\text{filter rise time})$. For a square wave input, the measurement system rise time of $\text{Math}(x) = \text{filter}(\text{chx})$ is very close to the filter rise time of $\text{Math}(x)$.

Examples MATH1:FILTer:RISETIME 1.7e-3 sets the filter rise time to 1.7 milliseconds.
MATH1:FILTer:RISETIME? might return
:MATH1:FILTer:RISETIME 1.0000E-9, indicating that the filter rise time parameter is set to 1 nanoseconds for Math 1 waveform.

MATH<x>:LABEl:NAME

This command sets or returns the label string, which is used for annotating the math waveform on the screen. The math waveform to which the label is attached is specified by x, which ranges in value from 1 through 4. This command is equivalent to selecting Math Setup from the Math menu and entering a label in the Label box.

Group Math

Syntax MATH<x>:LABEl:NAME <string>
MATH<x>:LABEl:NAME?

Arguments <string> specifies the label to annotate the math waveform.

Examples MATH2:LABEl:NAME "PROBE POINT7" assigns "Probe point7" Math 2 waveform.
MATH2:LABEl:NAME? might return :MATH2:LABEl:NAME "Probe point7", indicating that Probe point 7 is the label for Math 2 waveform.

MATH<x>:LABel:XPOS

This command sets or queries the X screen offset at which the label attached to a math waveform is displayed, relative to the left edge of the screen. Channels are specified by x, which ranges from 1 through 4. This command is equivalent to selecting Math Label from the Math menu and entering a value in the X Position box.

Group Math

Syntax MATH<x>:LABel:XPOS <NR1>
MATH<x>:LABel:XPOS?

Related Commands [MATH<x>:LABel:YPOS](#)

Arguments <NR1> is the location (in divisions) where the label for the selected math waveform is displayed, relative to the left edge of the screen. Arguments should be integers ranging from 0 to 10.

Examples MATH2:LABEL:XPOS 5 moves the waveform label for the Math 2 waveform (on a four-channel instrument) so that it begins 5 divisions to the right of the left edge of the screen.

MATH2:LABEL:XPOS? might return :MATH2:LABEL:XPOS 2.5, indicating that the waveform label for the Math 2 waveform is currently 2.5 divisions to the right of the left edge of the screen.

MATH<x>:LABel:YPOS

This command sets or queries the Y screen offset at which the label attached to a math waveform is displayed, relative to the waveform handle. The Math waveform is specified by x, which ranges from 1 through 4. This command is equivalent to selecting Math Label from the Math menu and entering a value in the Y Position box.

Group Math

Syntax MATH<x>:LABel:YPOS <NR1>
MATH<x>:LABel:YPOS?

Related Commands [MATH<x>:LABel:XPOS](#)

Arguments	<NR1> is the location (in divisions) where the label for the selected math waveform is displayed, relative to the waveform handle. Arguments should range from 10 to -10.
Examples	<p>MATH2:LABEL:YPOS -2.5 moves the waveform label for the Math 2 waveform to 2.5 divisions below the waveform handle.</p> <p>MATH2:LABEL:YPOS? might return :MATH2:LABEL:YPOS 0, indicating that the waveform label for the Math 2 waveform is currently located at the waveform handle.</p>

MATH<x>:NUMAVg

This command sets or returns the acquisition number at which the averaging algorithm will begin exponential averaging. Prior to that acquisition number, the algorithm uses stable averaging. This has no effect unless the AVG() function is used in the specified math expression. If so, it affects all AVG() functions in this math expression. The Math waveform is specified by x, which ranges from 1 through 4. This command is equivalent to selecting Set Math Averages from the Math menu and then entering an averaging value for the math waveform.

Group	Math
Syntax	<p>MATH<x>:NUMAVg <NR1></p> <p>MATH<x>:NUMAVg?</p>
Related Commands	ACQuire:NUMAVg
Arguments	<NR1> specifies the number of acquisitions over which exponential averaging is performed.
Examples	<p>MATH2:NUMAVG 10 averages the Math 2 waveform ten times.</p> <p>MATH2:NUMAVG? might return :MATH2:NUMAVG 10, indicating that ten Math 2 waveforms are averaged before a single acquisition occurs.</p>

MATH<x>:SPECTral? (Query Only)

This query-only command returns the current spectral setups for the specified math waveform. The Math waveform is specified by x, which ranges from 1 through 4. This command is equivalent to selecting Spectral Setup from the Math menu and viewing the current spectral setup values.

Group	Math
Syntax	MATH<x>:SPECTral?
Examples	MATH1:SPECTRAL? might return the spectral setup values for MATH1 as follows: :MATH1:SPECTRAL:MAG DB; PHASE DEGREES; GATEPOS 0.0000E+00; GATEWIDTH 1.9996E-06; REFLEVEL 4.4587+01; REFLEVELOFFSET2.2360E-01; SPAN 1.2500E+09; CENTER 6.2500E+08; RESBW 1.0002E=06; WINDOW GAUSSIAN; SUPPRESS -3.5000E+01; UNWRAP 0;LOCK 0.

MATH<x>:SPECTral:CENTER

This command specifies or returns the center frequency of the spectral analyzer output data span for the specified math waveform. The Math waveform is specified by x, which ranges from 1 through 4. This command is equivalent to selecting Spectral Setup from the Math menu and then entering a Center Freq value.

Group	Math
Syntax	MATH<x>:SPECTral:CENTER <NR3> MATH<x>:SPECTral:CENTER?
Related Commands	MATH<x>:SPECTral:SPAN , HORizontal:MODE:SAMPLERate
Arguments	<NR3> is the desired frequency of the spectral analyzer output data span in hertz.
Examples	MATH3:SPECTRAL:CENTER 10.09E6 sets the center frequency to the closest value it can attain to 10.09 MHz. MATH2:SPECTRAL:CENTER? might return :MATH2:SPECTral:CENTER 10.0900E+06, indicating that the center frequency is currently set at 10.09 MHz.

MATH<x>:SPECTral:GATEPOS

This command sets or returns the position of the center of the gate, which is used as the data input to the spectral analyzer for the specified math waveform. The math waveform is specified by x, which ranges from 1 through 4. This command is equivalent to selecting Spectral Setup from the Math menu and then entering a Gate Pos value.

Group	Math
Syntax	MATH<x>:SPECTral:GATEPOS <NR3> MATH<x>:SPECTral:GATEPOS?
Related Commands	MATH<x>:SPECTral:GATEWIDTH
Arguments	<NR3> is the gate position. Units are represented in seconds, with respect to trigger position.
Examples	MATH1:SPECTRAL:GATEPOS -2e8 specifies the position of the edge of the gate used as the data input to the spectral analyzer. The -2e-8 specifies that the center of the gate is 2e-8 seconds before (to the left of) the trigger. MATH2:SPECTRAL:GATEPOS? might return :MATH2:SPECTRAL:GATEPOS 0.0000E+00, indicating that the gate position is set to zero (the trigger position).

MATH<x>:SPECTral:GATEWIDTH

This command sets or returns the gate width input, in seconds, to the spectral analyzer for the specified math waveform. The math waveform is specified by x, which ranges from 1 through 4. This command is equivalent to selecting Spectral Setup from the Math menu and entering a duration value in the Gate Dur box.

Group	Math
Syntax	MATH<x>:SPECTral:GATEWIDTH <NR3> MATH<x>:SPECTral:GATEWIDTH?
Related Commands	MATH<x>:SPECTral:GATEPOS
Arguments	<NR3> is the time across the 10-division screen in seconds.
Examples	MATH1:SPECTRAL:GATEWIDTH 1.0E-3 sets the gate width input to the spectral analyzer at 1 ms. MATH3:SPECTRAL:GATEWIDTH? might return :MATH3:SPECTRAL:GATEWIDTH 1.0000E-03, indicating that the gate width to the spectral analyzer is set to 1 ms.

MATH<x>:SPECTral:LOCK

This command locks menus for two or more math waveforms together as a group. The query form of this command returns an ON (1) or OFF (0), indicating whether spectral locking is turned on. This command is equal to selecting Spectral Setup from the Math menu, choosing the Control tab and then clicking the Time/Track Frequency Domain Controls button associated with the math waveforms that you want to lock.

Table 2-17: Math<x> Lock Combinations

Math1	Math2	Math3	Locked Math Waveforms
Off	Off	Off	None
Off	Off	On	Math3 and Math4 locked
Off	On	Off	Math2 and Math3 locked
Off	On	On	Math2, Math3, and Math4 locked
On	Off	Off	Math1 and Math2 locked
On	Off	On	Math1 and Math2 locked, Math3 and Math4 locked
On	On	Off	Math1, Math2, and Math3 locked
On	On	On	Math1, Math2, Math3, and Math4 locked

NOTE. Executing MATH4:SPECTral:LOCK via the GPIB interface has no effect since there is no Math5 to which it can be locked.

Group Math

Syntax MATH<x>:SPECTral:LOCK {ON|OFF}
MATH<x>:SPECTral:LOCK?

Arguments ON turns on the parameter lock for the specified math waveform.
OFF turns off the parameter lock for the specified math waveform.
<NR1> = 0 disables the parameter lock for the specified math waveform; any other value enables the parameter lock.

Examples MATH1:SPECTRAL:LOCK ON turns on the parameter lock for Math 1, which causes the parameters for Math 1 and Math 2 waveforms to be locked together.
MATH1:SPECTRAL:LOCK? might return :MATH1:SPECTRAL:LOCK 0, indicating that the parameter lock for Math 1 waveform is turned off.

MATH<x>:SPECTral:MAG

This command sets or returns the units of the SpectralMag function in the specified math definition string. The Math waveform is specified by x, which ranges from 1 through 4. This command is equivalent to selecting Spectral Mag from the Math menu and then entering the units that you want in the Scale box, or selecting Basic from the Math menu and then clicking the desired Scale button.

Group Math

Syntax MATH<x>:SPECTral:MAG {LINEAR|DB|DBM}
MATH<x>:SPECTral:MAG?

Arguments LINEAR sets the SpectralMag units to linear.
DB sets the SpectralMag units to decibels.
DBM sets the SpectralMag units to decibels. It also sets the Ref Level Offset to a value that is the equivalent of 1 mW into 50 Ω .

Examples MATH2:SPECTRAL:MAG DB sets the SpectralMag units for Math 2 waveform to decibels.
MATH2:SPECTRAL:MAG? might return :MATH2:SPECTRAL:MAG DB, indicating that the SpectralMag units for Math 2 waveform are set to decibels.

MATH<x>:SPECTral:PHASE

This command sets or returns the units of a SpectralPhase function in the specified math definition string. The Math waveform is specified by x, which ranges from 1 through 4. This command is equal to selecting Spectral Phase from the Math menu, selecting the Advanced button, selecting the Vert Axis tab, and then clicking the desired Scale button.

Group Math

Syntax MATH<x>:SPECTral:PHASE {DEGrees|RADIans|GROUPDeIay}
MATH<x>:SPECTral:PHASE?

Arguments DEGREES sets the SpectralPhase units to degrees.
RADIANS sets the SpectralPhase units to radians.

GROUPDELAY sets the SpectralPhase units to groupdelay, which computes the derivative of unwrapped phase spectrum. Units are expressed in seconds.

- Examples** MATH2:SPECTRAL:PHASE DEGREES sets the SpectralPhase units for Math 2 waveform to degrees.
- MATH2:SPECTRAL:PHASE? might return :MATH2:SPECTRAL:PHASE RADIANS, indicating that the SpectralPhase units for Math 2 waveform are set to radians.

MATH<x>:SPECTral:REFLevel

This command specifies the vertical position of the specified spectral math waveform on the display screen. The numerical value represents the position at the top of the display graticule. The Math waveform is specified by x, which ranges from 1 through 4. This command is equal to selecting Spectral Setup from the Math menu, choosing the Mag tab and then entering a value in the Reference Level box.

Group Math

Syntax MATH<x>:SPECTral:REFLevel <NR3>
MATH<x>:SPECTral:REFLevel?

Related Commands [MATH<x>:SPECTral:REFLEVELOffset](#)

Arguments <NR3> is the value that represents the top of the display screen graticule. The range depends on the units and both the MATH<x>:VERTical:SCAle and MATH<x>:VERTical:POSition settings.

- Examples** MATH1:SPECTRAL:REFLEVEL -10 sets the top of the display screen to be a reference level of -10 dB. If the vertical scale is LINEAR, then the vertical units will be the same as the input waveform.
- MATH1:SPECTRAL:REFLEVEL? might return :MATH1:SPECTRAL:REFLEVEL 2.0000E+01, indicating that the top of the display screen is set to a reference level of 20 dB.

MATH<x>:SPECTral:REFLEVELOffset

This command sets or returns the spectral level offset used for calculating the dB value for the specified math waveform. The Math waveform is specified by x, which ranges from 1 through 4. Changing the reference level offset causes the

spectral waveform to move vertically, with respect to zero dB. This command is equal to selecting Spectral Setup from the Math menu, choosing the Mag tab and then entering a value in the Reference Level Offset box.

Group Math

Syntax MATH<x>:SPECTral:REFLEVELOffset {DBM|<NR3>}
MATH<x>:SPECTral:REFLEVELOffset?

Related Commands [MATH<x>:SPECTral:REFLevel](#)

Arguments DBM specifies the reference level used for calculation to be equivalent to 1 mW into 50 Ω (Zero dB will occur at this level).

<NR3> specifies the reference level used for calculation of the decibel value when the output units are Log.

Examples MATH1:SPECTRAL:REFLEVELOFFSET 0.5 sets the reference level for the Log calculation for decibel to be 0.5. $\text{dB} = A \times \text{Log}(y/\text{<NR3>})$ where A is 10 if the input units are watts and A is 20 if the input units are not watts.

MATH1:SPECTRAL:REFLEVELOFFSET DBM sets the decibel reference to be equivalent to 1 mW into 50 Ω . The reference level numerical value will depend on the input units. If the units are volts, the value is set to 0.2236 V; if the units are amperes, the value is set to 40 μA ; if the units are watts, the value is set to 0.001 W.

MATH1:SPECTRAL:REFLEVELOFFSET? might return
:MATH1:SPECTRAL:REFLEVELOFFSET 2.23360E-01, indicating that the spectral reference level offset is 223.6 mV.

MATH<x>:SPECTral:RESBw

This command sets or returns the resolution bandwidth of the spectral analyzer for the specified math waveform. The Math waveform is specified by x, which ranges from 1 through 4. This command is equivalent to selecting Spectral Setup from the Math menu and then entering a value in the Res BW box.

Group Math

Syntax MATH<x>:SPECTral:RESBw <NR3>
MATH<x>:SPECTral:RESBw?

Related Commands	MATH<x>:SPECTral:GATEWIDTH , MATH<x>:SPECTral:CENTER , MATH<x>:SPECTral:SPAN , MATH<x>:SPECTral:WINDow
Arguments	<NR3> is the desired resolution bandwidth value. Units are represented in Hertz.
Examples	MATH1:SPECTRAL:RESBW 250E3 sets the resolution bandwidth to the attainable value that is close to 250 kHz. MATH1:SPECTRAL:RESBW? might return :MATH1:SPECTRAL:RESBW 1.0002E+06, indicating the actual resolution bandwidth value obtained from the spectral analyzer.

MATH<x>:SPECTral:SPAN

This command sets the ceiling of the frequency span to a value that is closest to the specified value. The query form of this command returns the current span value for specified math waveform. The Math waveform is specified by x, which ranges from 1 through 4. This command is equal to selecting Spectral Setup from the Math menu and then entering a value in the Freq Span box.

Group	Math
Syntax	MATH<x>:SPECTral:SPAN {<NR3> FULL} MATH<x>:SPECTral:SPAN?
Related Commands	MATH<x>:SPECTral:CENTER
Arguments	<NR3> specifies the frequency span of the output data vector from the spectral analyzer. FULL sets the top of the span to 1/2 the sample rate and sets the center frequency to 1/2 the span.
Examples	MATH1:SPECTRAL:SPAN FULL sets the top of the span to 1/2 the sample rate and sets the center frequency to 1/2 the span. MATH1:SPECTRAL:SPAN 2.56E6 sets the top of the span to a value that is closest to 2.56 MHz. MATH1:SPECTRAL:SPAN? might return :MATH1:SPECTRAL:SPAN 1.2500E+09, indicating the actual span value obtained by the spectral analyzer.

MATH<x>:SPECTral:SUPPpress

This command sets or returns the phase suppression threshold for the specified math waveform. The Math waveform is specified by x, which ranges from 1 through 4. This command is equal to selecting Spectral Setup from the Math menu, choosing the Phase tab and then entering a value in the Suppression Threshold box. This command affects only Spectral Phase waveforms.

Group Math

Syntax MATH<x>:SPECTral:SUPPpress <NR3>
MATH<x>:SPECTral:SUPPpress?

Related Commands [MATH<x>:SPECTral:UNWRap](#)

Arguments <NR3> is the magnitude level that data with magnitude values below this value are displayed as zero phase.

Examples MATH1:SPECTRAL:SUPPRESS -62 specifies that any data with magnitude values less than -62 dB will have their phase output set to zero.

MATH1:SPECTRAL:SUPPRESS? might return :MATH1:SPECTRAL:SUPPRESS -3.5000E+01, indicating that the phase suppression threshold is currently set to -35 dB.

MATH<x>:SPECTral:UNWRap

This command sets or returns whether phase unwrap of the spectral analyzer output data is enabled for the specified math waveform. The Math waveform is specified by x, which ranges from 1 through 4. This command is equal to selecting Spectral Setup from the Math menu, choosing the Phase tab and then clicking the Unwrap button. This command affects only Spectral Phase waveforms.

Group Math

Syntax MATH<x>:SPECTral:UNWRap {ON|OFF}
MATH<x>:SPECTral:UNWRap?

Related Commands [MATH<x>:SPECTral:SUPPpress](#)

Arguments ON enables phase unwrap.
 OFF disables phase wrap.
 <NR1> = 0 disables phase wrap; any other value enables phase wrap.

Examples MATH1:SPECTRAL:UNWRAP ON enables phase wrap of the spectral analyzer output data.
 MATH1:SPECTRAL:UNWRAP? might return :MATH1:SPECTRAL:UNWRAP 0, indicating that the phase unwrap of the spectral analyzer output data is disabled.

MATH<x>:SPECTral:WINDow

This command sets or returns the window function used to multiply the spectral analyzer input data for the specified math waveform. The Math waveform is specified by x, which ranges from 1 through 4. A spectral window determines what the filter shape of the spectral analyzer will be in the frequency domain. It can be described by a mathematical function that is multiplied point-by-point times the input data to the spectral analyzer. This command is equal to selecting Spectral Setup from the Math menu, and choosing from the Window Type drop-down list.

Following is a list of arguments that specify the window function used to multiply the spectral analyzer input data. The windows are listed in the order of their ability to resolve frequencies (resolution bandwidth). For additional information about spectral windows, see *Selecting a Spectral Window* in the online help for this instrument.

Group Math

Syntax MATH<x>:SPECTral:WINDow {RECTANGular|HAMMING|HANNing|KAISERBessel|BLACKMANHarris|FLATTOP2|GAUSSian|TEKEXPonential}
 MATH<x>:SPECTral:WINDow?

Related Commands [MATH<x>:SPECTral:RESBw](#)

Arguments RECTANGular window function is equivalent to multiplying all gate data by one.
 HAMMING window function is based on a cosine series.
 HANNing window function is based on a cosine series.
 KAISERBessel window function is based on a cosine series.
 BLACKMANHarris window function is based on a cosine series.

GAUSSian window function has the best localization characteristics in the joint time/frequency plane.

TEKEXPONENTIAL window has an exponential nonsymmetrical shape in the time domain and a triangular shape in the frequency domain.

FLATTOP2 window function is a cosine series window with a flattened frequency response lobe.

Examples MATH2:SPECTRAL:WINDOW HANNING applies a Hanning window to the spectral analyzer input data.

MATH2:SPECTRAL:WINDOW? might return :MATH2:SPECTRAL:WINDOW TEKEXPONENTIAL, indicating that the window function used to multiply the spectral analyzer input data is the Tek exponential function.

MATH<x>:UNITString

This command sets or queries the string to use for units for the math waveform specified by x, which can be 1 through 4. This command will override the default unit string with the one that you specify.

Group Math

Syntax MATH<x>:UNITString <QString>
MATH<x>:UNITString?

Arguments <QString> quoted string argument is the units to be used for the specified math waveform.

Examples MATH2:UNITString "deg" specifies that the unit of the Math 2 waveform operation will be called deg.

MATH1:UNITSTRING? might return :MATH1:UNITSTRING "deg" as the unit for the Math 1 waveform operation.

MATH<x>:VERTical:POSition

This command sets or queries the vertical position of the specified Math waveform. The Math waveform is specified by x, which ranges from 1 through 4. The position value is usually applied to the signal before it is digitized. The highest three units/div scale ranges of a given math are implemented by changing the way the acquired data is displayed. When the instrument is operating in any of these highest three scale ranges, the position control operates only on

the signal after it is digitized. Note that if a signal that exceeds the range of the digitizer in one of these three scale ranges is repositioned, the displayed waveform will contain clipped values on-screen. This command is equivalent to selecting Position/Scale from the Math menu and then entering a Vert Pos value or adjusting the front-panel Vertical POSITION knob.

Increasing the position value of a waveform causes the waveform to move up, and decreasing the position value causes the waveform to move down. Position adjusts only the display position of a waveform, whether a channel, math, or reference waveform. The position value determines the vertical graticule coordinate at which input signal values, equal to the present offset setting for that reference, are displayed. For example, if the position for Math 3 is set to 2.0 and the offset is set to 3.0, then the input signals equal to 3.0 are displayed 2.0 divisions above the center of the screen.

Be aware that autoscaling occurs when a math waveform is first defined and enabled, or when a math string changes. After the math waveform is computed for the first time, the instrument determines the min + max of that waveform data. Then, the instrument sets the math position so that (min + max)/2 is in the center of the screen. In addition, the instrument sets the math scale so that the range of the min and max cover 6 divisions. This autoscaling process can take up to 1/2 second to complete and will override any vertical scale or position commands for that math waveform received during this time. You should insert an appropriate pause in your program after defining and enabling a math waveform before changing its position or scale.

Group Math

Syntax MATH<x>:VERTical:POSition <NR3>
MATH<x>:VERTical:POSition?

Related Commands [CH<x>:POSition](#), [REF<x>:VERTical:POSition](#)

Arguments <NR3> is the desired position control in divisions from the center graticule.

Examples MATH2:VERTICAL:POSITION 1.3E+00 positions the Math 2 waveform input signal 1.3 divisions higher than a position of 0.

MATH1:VERTICAL:POSITION? might return :MATH1:VERTICAL:POSITION -1.3000E+00 indicating that the current position of Math 1 waveform is 1.3 divisions below the center graticule.

MATH<x>:VERTical:SCAle

This command sets or queries the vertical scale of the specified math waveform. The Math waveform is specified by x, which ranges from 1 through 4. This command is equivalent to selecting Position/Scale from the Math menu and then entering a Vert Scale value or adjusting the front-panel Vertical SCALE knob.

Each waveform has its own vertical scale parameter. For a signal with constant amplitude, increasing the scale causes the waveform to be displayed smaller. Decreasing the scale causes the waveform to be displayed larger.

Scale affects all waveforms. For reference and math waveforms, the scale setting controls the display only, graphically scaling these waveforms and having no affect on the acquisition hardware.

Be aware that autoscaling occurs when a math waveform is first defined and enabled, or when a math string changes. After the math waveform is computed for the first time, the instrument determines the min + max of that waveform data. Then, the instrument sets the math position so that $(\text{min} + \text{max})/2$ is in the center of the screen. In addition, the instrument sets the math scale so that the range of the min and max covers 6 divisions. This autoscaling process can take up to 1/2 second to complete and will override any vertical scale or position commands for that math waveform received during this time. You should insert an appropriate pause in your program after defining and enabling a math waveform before changing its position or scale.

Group Math

Syntax MATH<x>:VERTical:SCAle <NR3>
MATH<x>:VERTical:SCAle?

Related Commands [CH<x>:SCAle](#), [REF<x>:VERTical:SCAle](#)

Arguments <NR3> is the scale, in volts, amps or watts per division. The range is from 100.0E-36 through 100.0E+36.

Examples MATH4:VERTICAL:SCALE 100E-03 sets the Math 4 waveform scale to 100 mV per division.

MATH2:VERTICAL:SCALE? might return :MATH2:VERTICAL:SCALE 1.0000E+00, indicating that the current scale setting of Math 2 waveform is 1 V per division.

MEASUrement? (Query Only)

This query-only command returns all measurement parameters in the following order: MEAS1, MEAS2, MEAS3, MEAS4, MEAS5, MEAS6, MEAS7, MEAS8, and IMMED.

Group Measurement

Syntax MEASUrement?

Examples MEASUREMENT? might return :MEASUREMENT:GATING OFF;IMMED:TYPE UNDEFINED;UNITS "V";SOURCE1 CH1;SOURCE2 CH1;SOURCE1:SIGTYPE PULSE;:MEASUREMENT:IMMED:SOURCE2:SIGTYPE PULSE;:MEASUREMENT:IMMED:DELAY:EDGE1 RISE;EDGE2 RISE;DIRECTION FORWARDS;:MEASUREMENT:IMMED:REFLEVEL:METHOD PERCENT;ABSOLUTE:HIGH 0.0000;LOW 0.0000;MID1 0.0000;MID2 0.0000;:MEASUREMENT:IMMED:REFLEVEL:PERCENT:HIGH 90.0000;LOW 10.0000;MID1 50.0000;MID2 50.0000;:MEASUREMENT:IMMED:METHOD HISTOGRAM;NOISE HIGH;:MEASUREMENT:MEAS1:STATE 0;TYPE UNDEFINED;UNITS "V";SOURCE1 CH1;SOURCE2 CH1;SOURCE1:SIGTYPE PULSE;:MEASUREMENT:MEAS1:SOURCE2:SIGTYPE PULSE;:MEASUREMENT:MEAS1:DELAY:EDGE1 RISE;EDGE2 RISE;DIRECTION FORWARDS;:MEASUREMENT:MEAS1:REFLEVEL:METHOD PERCENT;ABSOLUTE:HIGH 0.0000;LOW 0.0000;MID1 0.0000;MID2 0.0000;:MEASUREMENT:MEAS1:REFLEVEL:PERCENT:HIGH 90.0000;LOW 10.0000;MID1 50.0000;MID2 50.0000;:MEASUREMENT:MEAS1:METHOD HISTOGRAM;NOISE HIGH;:MEASUREMENT:MEAS2:STATE 0;TYPE UNDEFINED;UNITS "V";SOURCE1 CH1;SOURCE2 CH1;SOURCE1:SIGTYPE PULSE;:MEASUREMENT:MEAS2:SOURCE2:SIGTYPE PULSE;:MEASUREMENT:MEAS2:DELAY:EDGE1 RISE;EDGE2 RISE;DIRECTION.

MEASUrement:ANNOtation:IMMEDStAte

This command sets or queries the state of immediate measurement annotation.

Group Measurement

Syntax MEASUrement:ANNOtation:IMMEDStAte {<NR1>|OFF|ON}
MEASUrement:ANNOtation:IMMEDStAte?

Arguments	NR1 = 0 disables immediate state measurement annotation, any other value enables immediate state measurements. OFF disables annotation on immediate state measurements. ON enables annotation on immediate state measurements.
Examples	MEASUREMENT:ANNOTATION:IMMEDSTATE ON enables annotation of immediate measurements. MEASUREMENT:ANNOTATION:IMMEDSTATE? might return :MEASUREMENT:ANNOTATION:IMMEDSTATE 0, indicating that annotation of immediate measurements is off.

MEASUREMENT:ANNOTATION:NUMX? (Query Only)

This query-only command returns the number of horizontal measurement annotations currently being displayed.

Group	Measurement
Syntax	MEASUREMENT:ANNOTATION:NUMX?
Examples	MEASUREMENT:ANNOTATION:NUMX? might return MEASUREMENT:ANNOTATION:NUMX 2, indicating that there are currently 2 horizontal lines drawn on the graticule showing where the measurement specified by MEASUREMENT:ANNOTATION:STATE is being performed.

MEASUREMENT:ANNOTATION:NUMY? (Query Only)

This query-only command returns the number of vertical measurement annotations currently being displayed.

Group	Measurement
Syntax	MEASUREMENT:ANNOTATION:NUMY?
Examples	MEASUREMENT:ANNOTATION:NUMY? might return MEASUREMENT:ANNOTATION:NUMY 2, indicating that there are

currently 2 vertical lines drawn on the graticule showing where the measurement specified by `MEASUREMENT:ANNOTATION:STATE` is being performed.

MEASUREMENT:ANNOTATION:STATE

This command sets or returns the state of visible measurement annotations.

Group Measurement

Syntax `MEASUREMENT:ANNOTATION:STATE`
`{OFF|MEAS1|MEAS2|MEAS3|MEAS4|MEAS5|MEAS6|MEAS7|MEAS8}`
`MEASUREMENT:ANNOTATION:STATE?`

Arguments OFF turns off visible measurement annotations.

MEAS<x> turns on the display of visible measurement annotations for measurement <x>, where <x> can be 1, 2, 3, 4, 5, 6, 7, or 8. There must be an active measurement before you can activate an annotation for a specified measurement.

Examples `MEASUREMENT:ANNOTATION:STATE MEAS2` turns on the display of visible measurement annotations for measurement 2.

`MEASUREMENT:ANNOTATION:STATE?` might return `MEASUREMENT:ANNOTATION:STATE OFF`, indicating that no measurement annotations are active.

MEASUREMENT:ANNOTATION:TYPE

This command sets or queries the type of annotations being used. This command is similar to setting the annotation type in the Measure > Annotation menu.

Group Measurement

Syntax `MEASUREMENT:ANNOTATION:TYPE {STANDARD|DETAILED}`
`MEASUREMENT:ANNOTATION:TYPE?`

Arguments STANDARD sets the annotation type to STANDARD.

DETAILED sets the annotation type to DETAILED, so that more detailed annotations are displayed.

Examples MEASUREMENT:ANNOTATION:TYPE DETAILED sets the measurement annotation type to detailed.

MEASUREMENT:ANNOTATION:TYPE? might return
:MEASUREMENT:ANNOTATION:TYPE STANDARD, indicating that standard annotations will be displayed.

MEASUREMENT:ANNOTATION:X<x>? (Query Only)

This query-only command returns the value of the specified X annotation. X annotations are numbered, in general, from top to bottom on the display. The value of <x> can vary from 1 to 6.

Group Measurement

Syntax MEASUREMENT:ANNOTATION:X<x>?

Examples MEASUREMENT:ANNOTATION:X1? might return
:MEASUREMENT:ANNOTATION:X1 277.2250E-12, indicating that annotation X1 is 277 ps to the right of the trigger.

MEASUREMENT:ANNOTATION:Y<x>? (Query Only)

This query-only command returns the value of the specified Y annotation. Y annotations are numbered, in general, from left to right on the display. The value of <x> can vary from 1 to 6.

Group Measurement

Syntax MEASUREMENT:ANNOTATION:Y<x>?

Examples MEASUREMENT:ANNOTATION:Y1 might return
:MEASUREMENT:ANNOTATION:X1 305.6406E-3,, indicating that annotation Y1 is 305 mV above the channel reference.

MEASUREMENT:GATING

This command specifies or returns the measurement gating setting. This command is equivalent to selecting Gating from the Measure menu and then clicking the desired Measurement Gating setting.

Group	Measurement
Syntax	MEASUREMENT:GATING {ON OFF <NR1> ZOOM<x> CURSOR} MEASUREMENT:GATING?
Arguments	<p>ON turns on measurement gating.</p> <p>OFF turns off measurement gating.</p> <p><NR1> = 0 turns off measurement gating; any other value turns on measurement gating.</p> <p>ZOOM<x> turns on gating, using the left and right edges of the zoom box. <x> specifies the zoom window, which ranges from 1 through 4.</p> <p>CURSOR limits measurements to the portion of the waveform between the vertical bar cursors, even if they are off screen.</p>
Examples	<p>MEASUREMENT:GATING ON turns on measurement gating.</p> <p>MEASUREMENT:GATING? might return :MEASUREMENT:GATING CURSOR, indicating that measurements are limited to the portion of the waveform between the vertical bar cursors.</p>

MEASUREMENT:IMMED? (Query Only)

This query-only command returns all immediate measurement setup parameters.

Group	Measurement
Syntax	MEASUREMENT:IMMED?
Examples	<p>MEASUREMENT:IMMED? might return :MEASUREMENT:IMMED:TYPE AMPLITUDE; UNITS "V";SOURCE1 CH1;SOURCE2 CH1; SOURCE1:SIGTYPE PULSE; :MEASUREMENT:IMMED:SOURCE2:SIGTYPE PULSE; :MEASUREMENT:IMMED:DELAY:EDGE1 RISE; EDGE2 RISE;DIRECTION FORWARDS; :MEASUREMENT:IMMED:REFLEVEL:METHOD PERCENT; ABSOLUTE:HIGH 0.0000;LOW 0.0000;MID1 0.0000;MID2 0.0000; :MEASUREMENT:IMMED:REFLEVEL:PERCENT:HIGH 90.0000;LOW 10.0000;MID1 50.0000;MID2 50.0000; :MEASUREMENT:IMMED:METHOD HISTOGRAM;NOISE HIGH.</p>

MEASUrement:IMMed:DELAy? (Query Only)

This query-only command returns information about the immediate delay measurement. This command is equivalent to selecting Measurement Setup from the Measure menu, choosing the Time tab and then clicking the Delay button.

Group	Measurement
Syntax	MEASUrement:IMMed:DELAy?
Examples	MEASUREMENT:IMMED:DELAY? might return :MEASUREMENT:IMMED:DELAY:EDGE1 RISE;EDGE2 RISE; DIRECTION FORWARDS.

MEASUrement:IMMed:DELAy:DIREction

This command sets or returns the starting point and direction that determines the delay “to” edge when taking an immediate delay measurement. Use the [MEASUrement:IMMed:SOUrce<x>](#) command to specify the delay “to” waveform. This command is equivalent to selecting Measurement Setup from the Measure menu, choosing the Time tab, clicking the Delay button to display the delay settings and then clicking the desired Search Direction setting.

Group	Measurement
Syntax	MEASUrement:IMMed:DELAy:DIREction {BACKWards FORWards} MEASUrement:IMMed:DELAy:DIREction?
Related Commands	MEASUrement:IMMed:SOUrce<x>
Arguments	BACKWards starts the search at the end of the waveform and looks for the last rising or falling edge in the waveform. FORWards starts the search at the beginning of the waveform and looks for the first rising or falling edge in the waveform.
Examples	MEASUREMENT:IMMED:DELAY:DIRECTION FORWARDS starts searching from the beginning of the waveform record and looks for the first rising or falling edge. MEASUREMENT:IMMED:DELAY:DIRECTION? might return :MEASUREMENT:IMMED:DELAY:DIRECTION BACKWARDS, indicating

that searching begins at the end of the waveform record and looks for the last rising or falling edge.

MEASUREMENT:IMMED:DELAY:EDGE[1]

This command sets or queries the slope of the edge that is used for the delay “from” waveform when taking an immediate delay measurement. Use the [MEASUREMENT:IMMED:SOURCE<x>](#) command to specify the waveform. This command is equivalent to selecting Measurement Setup from the Measure menu, choosing the Time tab, clicking the Delay button to display the delay settings and then clicking the desired Delay Edge1 setting.

NOTE. *If you do not specify a numerical suffix, the source is assumed to be SOURCE 1.*

Group Measurement

Syntax MEASUREMENT:IMMED:DELAY:EDGE[1] {FALL|RISE}
MEASUREMENT:IMMED:DELAY:EDGE[1]?

Related Commands [MEASUREMENT:IMMED:SOURCE<x>](#)

Arguments FALL specifies the falling edge.
RISE specifies the rising edge.

Examples MEASUREMENT:IMMED:DELAY:EDGE[1] 1 RISE specifies that the rising edge be used for the immediate delay measurement.
MEASUREMENT:IMMED:DELAY:EDGE[1]? might return
:MEASUREMENT:IMMED:DELAY:EDGE1 FALL, indicating that the falling edge or negative edge of the waveform is used for the immediate delay measurement.

MEASUREMENT:IMMED:DELAY:EDGE2

This command sets or queries the slope of the edge that is used for the delay “to” waveform when taking an immediate delay measurement. Use the [MEASUREMENT:IMMED:SOURCE<x>](#) command to specify the waveform. This command is equivalent to selecting Measurement Setup from the Measure menu, choosing the Time tab, clicking the Delay button to display the delay settings and then clicking the desired Delay Edge2 setting.

Group	Measurement
Syntax	MEASUREMENT:IMMED:DELAY:EDGE2 {FALL RISe} MEASUREMENT:IMMED:DELAY:EDGE2?
Related Commands	MEASUREMENT:IMMED:SOURce<x>
Arguments	FALL specifies the falling edge. RISe specifies the rising edge.
Examples	MEASUREMENT:IMMED:DELAY:EDGE2 RISE specifies that the rising edge be used for the immediate delay measurement. MEASUREMENT:IMMED:DELAY:EDGE2? might return :MEASUREMENT:IMMED:DELAY:EDGE2 FALL, indicating that the falling edge or negative edge of the waveform is used for the immediate delay measurement.

MEASUREMENT:IMMED:METHod

This command specifies or queries the method used to calculate the 0% and 100% reference level for immediate measurements.

Group	Measurement
Syntax	MEASUREMENT:IMMED:METHod {HISTogram MINMax MEAN} MEASUREMENT:IMMED:METHod?
Arguments	HISTogram sets the high and low waveform levels statistically using a histogram algorithm. MINMax sets the high and low waveform levels to MAX and MIN, respectively. MEAN sets the high and low waveform levels to their mean.
Examples	MEASUREMENT:IMMED:METHod HISTOGRAM specifies that the high and low reference levels are set statistically. MEASUREMENT:IMMED:METHod? might return :MEASUREMENT:IMMED:METHod MINMAX, indicating that the reference levels are set to MIN and MAX for immediate measurements.

MEASUREMENT:IMMED:NOISE

This command sets or queries whether the noise measurement is made on the high or low level of the waveform. Sending this command is equivalent to selecting Ref Levs > Eye > Top Level or Base Level in the Comm tab of the Measurement Setup dialog box. The Eye section is displayed only if you have an eye-pattern or optical measurement defined.

Conditions	This command is only valid if the instrument has Option MTM is installed.
Group	Measurement
Syntax	MEASUREMENT:IMMED:NOISE {HIGH LOW} MEASUREMENT:IMMED:NOISE?
Arguments	HIGH argument causes the measurement for noise to be taken at the high level of the waveform. LOW argument causes the measurement for noise to be taken at the low level of the waveform.
Examples	MEASUREMENT:IMMED:NOISE HIGH causes the noise measurement to be made at the high level of the waveform. MEASUREMENT:IMMED:NOISE? might return :MEASUREMENT:IMMED:NOISE LOW, indicating that the noise measurement will be made at the low level of the waveform.

MEASUREMENT:IMMED:REFLevel? (Query Only)

This query-only command returns the reference level settings for the immediate measurement. It returns them in the following order: ABSOLUTE and then PERCENT for individual user measurements.

Group	Measurement
Syntax	MEASUREMENT:IMMED:REFLevel?
Examples	MEASUREMENT:IMMED:REFLEVEL? might return :MEASUREMENT:IMMED:REFLEVEL:PERCENT:HIGH 90 indicating that the reference level is set to 90% of HIGH.

MEASUREMENT:IMMED:REFLEVEL:ABSOLUTE:HIGH

This command sets or queries the high reference level, and is the upper reference level when [MEASUREMENT:IMMED:REFLEVEL:METHOD](#) is set to Absolute. Note that this command affects the results of rise and fall measurements.

NOTE. *This command affects the results of period, frequency, delay, and all cyclic measurements.*

Group Measurement

Syntax MEASUREMENT:IMMED:REFLEVEL:ABSOLUTE:HIGH <NR3>
MEASUREMENT:IMMED:REFLEVEL:ABSOLUTE:HIGH?

Related Commands [MEASUREMENT:IMMED:REFLEVEL:METHOD](#)

Arguments <NR3> is the high reference level, in volts. The default is 0.0 V.

Examples MEASUREMENT:IMMED:REFLEVEL:ABSOLUTE:HIGH 1.71 sets the high reference level to 1.71 V.

MEASUREMENT:IMMED:REFLEVEL:ABSOLUTE:HIGH? might return
:MEASUREMENT:IMMED:REFLEVEL:ABSOLUTE:HIGH 1.7100E+00, indicating that the absolute high reference level is set to 1.71 V.

MEASUREMENT:IMMED:REFLEVEL:ABSOLUTE:LOW

This command sets or queries the low reference level, and is the zero percent level when [MEASUREMENT:IMMED:REFLEVEL:METHOD](#) is set to Absolute. Note that this command affects the results of rise and fall measurements.

NOTE. *This command affects the results of period, frequency, delay, and all cyclic measurements.*

Group Measurement

Syntax MEASUREMENT:IMMED:REFLEVEL:ABSOLUTE:LOW <NR3>
MEASUREMENT:IMMED:REFLEVEL:ABSOLUTE:LOW?

Related Commands [MEASUREMENT:IMMed:REFLevel:METHOD](#)

Arguments <NR3> is the low reference level, in volts. The default is 0.0 V.

Examples MEASUREMENT:IMMED:REFLEVEL:ABSOLUTE:LOW 0.0 sets the low reference level to 0.0 V.

MEASUREMENT:IMMED:REFLEVEL:ABSOLUTE:LOW? might return
:MEASUREMENT:MEAS1:REFLEVEL:ABSOLUTE:LOW 0.0000E+00, indicating that the absolute low reference level is set to 0.0 V.

MEASUREMENT:IMMed:REFLevel:ABSolute:MID<x>

This command sets or queries the mid reference level, and is the 50% reference level when [MEASUREMENT:IMMed:REFLevel:METHOD](#) is set to Absolute. Note that this command affects the results of period, frequency, delay, and all cyclic measurements. Note that this command affects the results of delay measurements.

NOTE. *This command affects the results of period, frequency, delay, and all cyclic measurements.*

Group Measurement

Syntax MEASUREMENT:IMMed:REFLevel:ABSolute:MID<x> <NR3>
MEASUREMENT:IMMed:REFLevel:ABSolute:MID<x>?

Related Commands [MEASUREMENT:IMMed:REFLevel:METHOD](#)

Arguments <NR3> is the mid1 (the “from” waveform when taking a delay measurement) or mid2 (the “to” waveform when taking a delay measurement) reference level, in volts. The default is 0.0 V.

Examples MEASUREMENT:IMMED:REFLEVEL:ABSOLUTE:MID2 0.5 sets the mid reference level for the delay waveform to 0.5 V.

MEASUREMENT:IMMED:REFLEVEL:ABSOLUTE:MID2? might return
:MEASUREMENT:IMMED:REFLEVEL:ABSOLUTE:MID2 0.5000E+00, indicating that the absolute mid2 reference level is set to 0.5 V.

MEASUREMENT:IMMED:REFLEVEL:METHOD

This command specifies or queries the reference level units used for measurement calculations. This command is equivalent to selecting Reference Levels from the Measure menu and then choosing the desired reference level from the Units group box.

Group Measurement

Syntax MEASUREMENT:IMMED:REFLEVEL:METHOD {ABSOLUTE|PERCENT}
MEASUREMENT:IMMED:REFLEVEL:METHOD?

Arguments ABSOLUTE specifies that the reference levels are set explicitly using the MEASUREMENT:IMMED:REFLEVEL:ABSOLUTE commands. This method is useful when precise values are required. For instance, when designing to published interface specifications, such as RS-232-C.

PERCENT specifies that the reference levels are calculated as a percent relative to HIGH and LOW. The percentages are defined using the MEASUREMENT:IMMED:REFLEVEL:PERCENT commands.

Examples MEASUREMENT:IMMED:REFLEVEL:METHOD ABSOLUTE specifies that explicit user-defined values are used for the reference levels.

MEASUREMENT:IMMED:REFLEVEL:METHOD? might return
:MEASUREMENT:IMMED:REFLEVEL:METHOD PERCENT, indicating that the reference level units used are calculated as a percent relative to HIGH and LOW.

MEASUREMENT:IMMED:REFLEVEL:PERCENT:HIGH

This command sets or queries the percentage (where 100% is equal to HIGH) used to calculate the high reference level when MEASUREMENT:IMMED:REFLEVEL:METHOD is set to Percent. Note that this command affects the results of rise and fall measurements.

NOTE. This command affects the results of period, frequency, delay, and all cyclic measurements.

Group Measurement

Syntax MEASUREMENT:IMMED:REFLEVEL:PERCENT:HIGH <NR1>
MEASUREMENT:IMMED:REFLEVEL:PERCENT:HIGH?

Related Commands [MEASUREMENT:IMMED:REFLEVEL:METHOD](#)

Arguments <NR1> is the high reference level, ranging from 0 to 100%. The default high reference level is 90%.

Examples MEASUREMENT:IMMED:REFLEVEL:PERCENT:HIGH 95 sets the high reference level to 95% of HIGH.

MEASUREMENT:IMMED:REFLEVEL:PERCENT:HIGH? might return
:MEASUREMENT:IMMED:REFLEVEL:PERCENT:HIGH 90, indicating that the percentage high reference level is set to 90% of HIGH.

MEASUREMENT:IMMED:REFLEVEL:PERCENT:LOW

This command sets or queries the percentage (where 100% is equal to HIGH) used to calculate the low reference level when [MEASUREMENT:IMMED:REFLEVEL:METHOD](#) is set to Percent. Note that this command affects the results of rise and fall measurements. This command is equivalent to selecting Reference Levels from the Measure menu and then entering the Percentage Low Ref value.

NOTE. *This command affects the results of period, frequency, delay, and all cyclic measurements.*

Group Measurement

Syntax MEASUREMENT:IMMED:REFLEVEL:PERCENT:LOW <NR1>
MEASUREMENT:IMMED:REFLEVEL:PERCENT:LOW?

Related Commands [MEASUREMENT:IMMED:REFLEVEL:METHOD](#)

Arguments <NR1> is the low reference level, ranging from 0 to 100%. The default low reference level is 10%.

Examples MEASUREMENT:IMMED:REFLEVEL:PERCENT:LOW 15 sets the low reference level to 15% of HIGH.

MEASUREMENT:IMMED:REFLEVEL:PERCENT:LOW? might return
 :MEASUREMENT:IMMED:REFLEVEL:PERCENT:LOW 10, indicating that the
 percentage low reference level is set to 10% of HIGH.

MEASUREMENT:IMMED:REFLEVEL:PERCENT:MID<x>

This command sets or queries the percentage (where 100% is equal to HIGH) used to calculate the mid reference level when [MEASUREMENT:IMMED:REFLEVEL:METHOD](#) is set to Percent. Mid1 is for the first waveform specified, and Mid2 is for the second waveform specified. Note that this command affects the results of delay measurements.

NOTE. *This command affects the results of period, frequency, delay, and all cyclic measurements.*

Group Measurement

Syntax MEASUREMENT:IMMED:REFLEVEL:PERCENT:MID<x> <NR1>
 MEASUREMENT:IMMED:REFLEVEL:PERCENT:MID<x>?

Related Commands [MEASUREMENT:IMMED:REFLEVEL:METHOD](#)

Arguments <NR1> is the mid reference level, ranging from 0 to 100%. The default mid reference level is 50%.

Examples MEASUREMENT:IMMED:REFLEVEL:PERCENT:MID2 40 sets the mid2 reference level to 40% of HIGH.

MEASUREMENT:IMMED:REFLEVEL:PERCENT:MID2? might return
 :MEASUREMENT:IMMED:REFLEVEL:PERCENT:MID2 45, indicating that the
 percentage mid2 reference level is set to 45% of HIGH.

MEASUREMENT:IMMED:SOURCE<x>

This command sets or queries the source for phase or delay immediate measurements. This command is equivalent to selecting Measurement Setup from the Measure menu, choosing the Time tab, clicking the Delay button to display the delay settings and then clicking the desired Source1 (From) setting or Source2 (To) setting.

Tip: Source2 measurements only apply to phase and delay measurement types, which require both a target (Source1) and reference (Source2) source.

Group	Measurement
Syntax	MEASUREMENT:IMMED:SOURCE<x> {CH<x> MATH<y> REF<x> HISTogram} MEASUREMENT:IMMED:SOURCE<x>?
Arguments	<p>CH<x> is an input channel waveform. The x variable can be expressed as an integer ranging from 1 through 4.</p> <p>MATH<y> is a math waveform. The y variable can be expressed as an integer ranging from 1 through 4.</p> <p>REF<x> is a reference waveform. The x variable can be expressed as an integer ranging from 1 through 4.</p> <p>HISTogram indicates histogram as the object to be measured. HISTogram not allowed on SOURCE2.</p>
Examples	<p>MEASUREMENT:IMMED:SOURCE2 REF3 sets the waveform in reference memory location 3 as the delay “to” source when making delay measurements.</p> <p>MEASUREMENT:IMMED:SOURCE2? might return :MEASUREMENT:IMMED:SOURCE2 MATH1, indicating that Math1 is the immediate measurement source.</p>

MEASUREMENT:IMMED:SOURCE<x>:SIGType

This command sets or queries the type of input signal used for measurement SOURCE<x>, 1 or 2.

To ensure accurate measurements, use this command to specify the input-signal type for the measurement source.

Conditions	This command is only valid if the instrument has Option MTM is installed.
Group	Measurement
Syntax	MEASUREMENT:IMMED:SOURCE<x>:SIGType {PULSE EYE} MEASUREMENT:IMMED:SOURCE<x>:SIGType?
Arguments	<p>PULSE is for generic signals that are not associated with synchronous communications standards.</p> <p>EYE is for synchronous-communication signals with NRZ-like characteristics (nonreturn to zero).</p>

Examples `MEASUREMENT:IMMED:SOURCE1:SIGTYPE PULSE` selects Pulse as the signal type for source 1.

`MEASUREMENT:IMMED:SOURCE<X>:SIGTYPE?` might return
`:MEASUREMENT:IMMED:SOURCE1:SIGTYPE EYE` indicating that the signal type for source 1 is EYE.

MEASUREMENT:IMMED:TYPE

This command sets or queries the immediate measurement type.

Group Measurement

Syntax `MEASUREMENT:IMMED:TYPE {AMPLITUDE|AREA|BURST|CAREA|CMEAN|CRMS|DELAY|DISTDUTY|EXTINCTDB|EXTINCTPCT|EXTINCTRATIO|EYEHEIGHT|EYEWIDTH|FALL|FREQUENCY|HIGH|HITS|LOW|MAXIMUM|MEAN|MEDIAN|MINIMUM|NCROSS|NDUTY|NOVERSHOOT|NWIDTH|PBASE|PCROSS|PCTCROSS|PDUTY|PEAKHITS|PERIOD|PHASE|PK2PK|PKPKJITTER|PKPKNOISE|POVERSHOOT|PTOP|PWIDTH|QFACTOR|RISE|RMS|RMSJITTER|RMSNOISE|SIGMA1|SIGMA2|SIGMA3|SIXSIGMAJIT|SNRATIO|STDDEV| UNDEFINED|WAVEFORMS}`
`MEASUREMENT:IMMED:TYPE?`

Arguments `AMPLITUDE` measures the amplitude of the selected waveform. In other words, it measures the high value less the low value measured over the entire waveform or gated region.

$$\textit{Amplitude} = \textit{High} - \textit{Low}$$

`AREA` measures the voltage over time. The area is over the entire waveform or gated region and is measured in volt-seconds. The area measured above the ground is positive, while the area below ground is negative.

`BURST` measures the duration of a burst. The measurement is made over the entire waveform or gated region.

`CAREA` (cycle area) measures the voltage over time. In other words, it measures, in volt-seconds, the area over the first cycle in the waveform or the first cycle in the gated region. The area measured above the common reference point is positive, while the area below the common reference point is negative.

`CMEAN` (cycle mean) measures the arithmetic mean over the first cycle in the waveform or the first cycle in the gated region.

CRMS (cycle rms) measures the true Root Mean Square voltage over the first cycle in the waveform or the first cycle in the gated region.

DELay measures the time between the middle reference (default = 50%) amplitude point of the source waveform and the destination waveform.

DISTDuty (duty cycle distortion) measures the time between the falling edge and the rising edge of the eye pattern at the mid reference level. It is the peak-to-peak time variation of the first eye crossing measured at the mid-reference as a percent of the eye period.

EXTINCTDB measures the extinction ratio of an optical waveform (eye diagram). Extinction Ratio (dB) measures the ratio of the average power levels for the logic High to the logic Low of an optical waveform and expresses the result in dB. This measurement only works for fast acquisition signals or a reference waveform saved in fast acquisition mode.

$$\text{Extinction dB} = 10 \times (\log 10 (\text{High} / \text{Low}))$$

EXTINCTPCT measures the extinction ratio of the selected optical waveform. Extinction Ratio (%) measures the ratio of the average power levels for the logic Low (off) to the logic (High) (on) of an optical waveform and expresses the result in percent. This measurement only works for fast acquisition signals or a reference waveform saved in fast acquisition mode.

$$\text{Extinction \%} = 100.0 \times (\text{Low} / \text{High})$$

EXTINCTRATIO measures the extinction ratio of the selected optical waveform. Extinction Ratio measures the ratio of the average power levels for the logic High to the logic Low of an optical waveform and expresses the result without units. This measurement only works for fast acquisition signals or a reference waveform saved in fast acquisition mode. Extinction ratios greater than 100 or less than 1 generate errors; low must be greater than or equal to 1 μ W.

$$\text{Extinction Ratio} = (\text{High} / \text{Low})$$

EYEHeight measures the vertical opening of an eye diagram in volts.

EYEWidth measures the width of an eye diagram in seconds.

FALL measures the time taken for the falling edge of the first pulse in the waveform or gated region to fall from a high reference value (default is 90%) to a low reference value (default is 10%).

FREQUENCY measures the first cycle in the waveform or gated region. Frequency is the reciprocal of the period and is measured in hertz (Hz), where 1 Hz = 1 cycle per second.

HIGH measures the High reference (100% level, sometimes called Topline) of a waveform.

You can also limit the High measurement (normally taken over the entire waveform record) to a gated region on the waveform.

HITS (histogram hits) measures the number of points in or on the histogram box.

LOW measures the Low reference (0% level, sometimes called Baseline) of a waveform.

MAXimum finds the maximum amplitude. This value is the most positive peak voltage found. It is measured over the entire waveform or gated region. When histogram is selected with the **MEASUREMENT:METHod** command, the maximum measurement measures the voltage of the highest nonzero bin in vertical histograms or the time of the right-most bin in horizontal histograms.

MEAN amplitude measurement finds the arithmetic mean over the entire waveform or gated region. When histogram is selected with the **MEASUREMENT:METHod** command, the mean measurement measures the average of all acquired points within or on the histogram.

MEDian (histogram measurement) measures the middle point of the histogram box. Half of all acquired points within or on the histogram box are less than this value and half are greater than this value.

MINIMUM finds the minimum amplitude. This value is typically the most negative peak voltage. It is measured over the entire waveform or gated region. When histogram is selected with the **MEASUREMENT:METHod** command, the minimum measurement measures the lowest nonzero bin in vertical histograms or the time of the left-most nonzero bin in the horizontal histograms.

NCROSS (timing measurement) measures the time from the trigger point to the first falling edge of the waveform or gated region. The distance (time) is measured at the middle reference amplitude point of the signal.

NDUTy (negative duty cycle) is the ratio of the negative pulse width to the signal period, expressed as a percentage. The duty cycle is measured on the first cycle in the waveform or gated region.

$$\text{Negative Duty Cycle} = (\text{Negative Width}) / \text{Period} \times 100\%$$

NOVershoot (negative overshoot) finds the negative overshoot value over the entire waveform or gated region.

$$\text{Negative Overshoot} = (\text{Low} - \text{Minimum}) / \text{Amplitude} \times 100\%$$

NWIDth (negative width) measurement is the distance (time) between the middle reference (default = 50%) amplitude points of a negative pulse. The measurement is made on the first pulse in the waveform or gated region.

PBASE measures the base value used in extinction ratio measurements.

PCROSS (timing measurement) measures the time from the trigger point to the first positive edge of the waveform or gated region. The distance (time) is measured at the middle reference amplitude point of the signal.

PCTCROSS measures the location of the eye crossing point expressed as a percentage of **EYEHeight**.

$$\text{Crossing percent} = 100 \times [(\text{eye-crossing-point} - \text{PBASe}) / (\text{PTOP} - \text{PBASe})]$$

PDuty (positive duty cycle) is the ratio of the positive pulse width to the signal period, expressed as a percentage. It is measured on the first cycle in the waveform or gated region.

$$\text{Positive Duty Cycle} = (\text{Positive Width}) / \text{Period} \times 100\%$$

PEAKHits measures the number of points in the largest bin of the histogram.

PERIOD is the time required to complete the first cycle in a waveform or gated region. Period is the reciprocal of frequency and is measured in seconds.

PHASE measures the phase difference (amount of time a waveform leads or lags the reference waveform) between two waveforms. The measurement is made between the middle reference points of the two waveforms and is expressed in degrees, where 360° represents one waveform cycle.

PK2Pk (peak-to-peak) finds the absolute difference between the maximum and minimum amplitude in the entire waveform or gated region. When histogram is selected with the **MEASUREMENT:METHod** command, the PK2Pk measurement measures the histogram peak to peak difference.

PKPKJitter measures the variance (minimum and maximum values) in the time locations of the cross point.

PKPKNoise measures the peak-to-peak noise on a waveform at the mid reference level.

POvershoot

The positive overshoot amplitude measurement finds the positive overshoot value over the entire waveform or gated region.

$$\text{Positive Overshoot} = (\text{Maximum} - \text{High}) / \text{Amplitude} \times 100\%$$

PTOT measures the top value used in extinction ratio measurements.

PWidth (positive width) is the distance (time) between the middle reference (default = 50%) amplitude points of a positive pulse. The measurement is made on the first pulse in the waveform or gated region.

QFACTOR measures the quality factor. The Q factor is a figure of merit for an eye diagram, which indicates the vertical eye opening relative to the noise at the low and high logic levels. It is the ratio of the eye size to noise.

RISE timing measurement finds the rise time of the waveform. The rise time is the time it takes for the leading edge of the first pulse encountered to rise from a low reference value (default is 10%) to a high reference value (default is 90%).

RMS amplitude measurement finds the true Root Mean Square voltage in the entire waveform or gated region.

RMSJitter measures the variance in the time locations of the cross point. The RMS jitter is defined as one standard deviation at the cross point.

RMSNoise measures the Root Mean Square noise amplitude on a waveform at the mid reference level.

SIGMA1 (histogram measurement) measures the percentage of points in the histogram that are within one standard deviation of the histogram mean.

SIGMA2 (histogram measurement) measures the percentage of points in the histogram that are within two standard deviations of the histogram mean.

SIGMA3 (histogram measurement) measures the percentage of points in the histogram that are within three standard deviations of the histogram mean.

SIXSigmaJitter (histogram measurement) is $6 \times \text{RMSJitter}$.

SNRatio measures the signal-to-noise ratio. The signal-to-noise ratio is the amplitude of a noise rejection band centered on the mid level.

STDdev measures the standard deviation (Root Mean Square (RMS) deviation) of all acquired points within or on the histogram box.

UNDEFINED is the default measurement type, which indicates that no measurement type is specified. Once a measurement type is chosen, it can be cleared using this argument.

WAVEFORMS (waveform count) measures the number of waveforms used to calculate the histogram.

Examples **MEASUREMENT:IMMED:TYPE FREQUENCY** defines the immediate measurement to be a frequency measurement.

MEASUREMENT:IMMED:TYPE? might return **:MEASUREMENT:IMMED:TYPE RMS**, indicating that the immediate measurement is the true Root Mean Square voltage.

MEASUREMENT:IMMED:UNITS? (Query Only)

This query-only command returns the units of the immediate measurement.

Group Measurement

Syntax **MEASUREMENT:IMMED:UNITS?**

Examples **MEASUREMENT:IMMED:UNITS?** might return **:MEASUREMENT:IMMED:UNITS "s"**, indicating that units for the immediate measurement are in seconds.

MEASUREMENT:IMMED:VALUE? (Query Only)

This query-only command returns the value of the measurement specified by the [MEASUREMENT:IMMED:TYPE](#) command. The measurement is immediately taken on the source(s) specified by a [MEASUREMENT:IMMED:SOURCE<x>](#) command.

NOTE. A change to *CH<x>:SCALE* will not necessarily have taken affect it followed by this command.

Group Measurement

Syntax MEASUREMENT:IMMED:VALUE?

Related Commands [MEASUREMENT:IMMED:TYPE](#), [MEASUREMENT:IMMED:SOURCE<x>](#), [*ESR?](#), [ALLEV?](#)

Examples MEASUREMENT:IMMED:VALUE? might return :MEASUREMENT:IMMED:VALUE 9.9000E+37. If the measurement has an error or warning associated with it, then an item is added to the error queue. The error can be checked for with the [*ESR?](#) and [ALLEV?](#) commands.

MEASUREMENT:MEAS<x>? (Query Only)

This query-only command returns all measurement parameters for the displayed measurement specified by x, which can range from 1 through 8. This query command is equivalent to selecting Measurement Setup from the Measure menu and viewing the Measurements table; then choosing the Time tab, clicking the Delay button and viewing the Delay Edge and Search Direction settings.

Group Measurement

Syntax MEASUREMENT:MEAS<x>?

Examples MEASUREMENT:MEAS1? might return :MEASUREMENT:MEAS1:STATE 0;TYPE UNDEFINED;UNITS "V";SOURCE1 CH1;SOURCE2 CH1;SOURCE1:SIGTYPE PULSE;:MEASUREMENT:MEAS1:SOURCE2:SIGTYPE PULSE;:MEASUREMENT:MEAS1:DELAY:EDGE1 RISE;EDGE2 RISE; DIRECTION FORWARDS;:MEASUREMENT:MEAS1:REFLEVEL:METHOD PERCENT;ABSOLUTE:HIGH 0.0000;LOW 0.0000;MID1 0.0000;MID2 0.0000;:MEASUREMENT:MEAS1:REFLEVEL:PERCENT:HIGH 90.0000;LOW

```
10.0000;MID1 50.0000;MID2 50.0000;:MEASUREMENT:MEAS1:METHOD
HISTOGRAM;NOISE HIGH.
```

MEASUREMENT:MEAS<x>:COUNT? (Query Only)

This query-only command returns the number of values accumulated for this measurement since the last statistical reset. Some values may have been ignored because they generated an error. Measurements are specified by x, which ranges from 1 through 8.

Group Measurement

Syntax MEASUREMENT:MEAS<x>:COUNT?

Examples MEASUREMENT:MEAS3:COUNT? might return :MEASUREMENT:MEAS3:COUNT
3.247000000E+03.

MEASUREMENT:MEAS<x>:DELAY? (Query Only)

This query-only command returns the delay measurement parameters for the measurement specified by <x>, which ranges from 1 through 8. Measurement parameters are presented in the following order: Edge1, Edge2, and Direction. This query command is equivalent to selecting Time from the Measure menu, choosing Delay and viewing the Delay Edge and Search Direction settings.

Group Measurement

Syntax MEASUREMENT:MEAS<x>:DELAY?

Examples MEASUREMENT:MEAS3? might return :MEASUREMENT:MEAS3:DELAY:EDGE1
RISE;EDGE2 RISE;DIRECTION FORWARDS.

MEASUREMENT:MEAS<x>:DELAY:DIRECTION

This command sets or queries the starting point and direction that determines the delay “to” edge when taking a delay measurement. Use the [MEASUREMENT:MEAS<x>:SOURCE<x>](#) command to specify the waveform. This command is equivalent to selecting Time from the Measure menu, choosing Delay from the drop-down list and then clicking the desired Search Direction setting. Measurements are specified by x, which ranges from 1 through 8.

Group	Measurement
Syntax	MEASUREMENT:MEAS<x>:DELAY:DIRECTION {BACKWARDS FORWARDS} MEASUREMENT:MEAS<x>:DELAY:DIRECTION?
Related Commands	MEASUREMENT:MEAS<x>:SOURCE<x>
Arguments	<p>BACKWARDS means that the search starts at the end of the waveform and looks for the last rising or falling edge in the waveform. Use the MEASUREMENT:MEAS<x>:DELAY:EDGE<x> command to specify the slope of the edge.</p> <p>FORWARDS means that the search starts at the beginning of the waveform and looks for the first rising or falling edge in the waveform. Use the MEASUREMENT:MEAS<x>:DELAY:EDGE<x> command to specify the slope of the edge.</p>
Examples	<p>MEASUREMENT:MEAS1:DELAY:DIRECTION BACKWARDS starts searching from the end of the waveform record.</p> <p>MEASUREMENT:MEAS3:DELAY:DIRECTION? might return :MEASUREMENT:MEAS3:DELAY:DIRECTION BACKWARDS, indicating that the current search direction is backwards.</p>

MEASUREMENT:MEAS<x>:DELAY:EDGE<x>

This command sets or queries the slope of the edge that is used for the delay “from” waveform (edge1) and the delay “to” waveform (edge2) when taking a delay measurement. Use the MEASUREMENT:MEAS<x>:SOURCE2 command to specify the waveform. This command is equivalent to selecting Time from the Measure menu, choosing Delay from the drop-down list and then clicking the desired Delay Edge setting. Measurements are specified by x, which ranges from 1 through 8.

Group	Measurement
Syntax	MEASUREMENT:MEAS<x>:DELAY:EDGE<x> {FALL RISE} MEASUREMENT:MEAS<x>:DELAY:EDGE<x>?
Related Commands	MEASUREMENT:MEAS<x>:SOURCE<x>

Arguments FALL specifies the falling edge of the waveform.
RISE specifies the rising edge of the waveform.

Examples MEASUREMENT:MEAS3:DELAY:EDGE2 RISE specifies that the rising edge of the waveform be used for measurement 3.
MEASUREMENT:MEAS1:DELAY:EDGE2? might return
:MEASUREMENT:MEAS1:DELAY:EDGE2 FALL, indicating that the falling edge of the waveform is being used for measurement 1.

MEASUREMENT:MEAS<x>:MAXIMUM? (Query Only)

This query-only command returns the maximum value found for this measurement since the last statistical reset. Measurements are specified by x, which ranges from 1 through 8.

Group Measurement

Syntax MEASUREMENT:MEAS<x>:MAXIMUM?

Examples MEASUREMENT:MEAS3:MAXIMUM? might return
:MEASUREMENT:MEAS3:MAXIMUM 4.18E-9.

MEASUREMENT:MEAS<x>:MEAN? (Query Only)

This query-only command returns the mean value accumulated for this measurement since the last statistical reset. Measurements are specified by x, which ranges from 1 through 8.

Group Measurement

Syntax MEASUREMENT:MEAS<x>:MEAN?

Examples MEASUREMENT:MEAS1:MEAN? might return :MEASUREMENT:MEAS1:MEAN
514.71E-09.

MEASUREMENT:MEAS<x>:METHOD

This command specifies or queries the method used to calculate the 0% and 100% reference level.

Group	Measurement
Syntax	MEASUREMENT:MEAS<x>:METHOD {HISTOGRAM MINMAX MEAN} MEASUREMENT:MEAS<x>:METHOD?
Arguments	HISTOGRAM sets the high and low waveform levels statistically using a histogram algorithm. MINMAX sets the high and low waveform levels to MAX and MIN, respectively. MEAN sets the high and low waveform levels to their mean.
Examples	MEASUREMENT:MEAS1:METHOD HISTOGRAM specifies that the high and low reference levels are set statistically. MEASUREMENT:MEAS1:METHOD? might return :MEASUREMENT:MEAS1:METHOD MINMAX, indicating that the reference levels are set to MIN and MAX.

MEASUREMENT:MEAS<x>:MINIMUM? (Query Only)

This query-only command returns the minimum value found for this measurement since the last statistical reset. Measurements are specified by x, which ranges from 1 through 8.

Group	Measurement
Syntax	MEASUREMENT:MEAS<x>:MINIMUM?
Examples	MEASUREMENT:MEAS1:MINIMUM? might return :MEASUREMENT:MEAS1:MINIMUM 1.75E-09.

MEASUREMENT:MEAS<x>:NOISE

This command sets or queries whether the noise measurement is made on the high or low level of the waveform. Sending this command is equivalent to selecting Ref Levs > Eye > Top Level or Base Level in the Comm tab of the Measurement Setup dialog box. The Eye section is displayed only if you have an eye-pattern

or optical measurement defined. Measurements are specified by x, which ranges from 1 through 8.

Conditions This command is only valid if the instrument has Option MTM is installed.

Group Measurement

Syntax MEASUREMENT:MEAS<x>:NOISE {HIGH|LOW}
MEASUREMENT:MEAS<x>:NOISE?

Arguments HIGH argument causes the measurement for noise to be taken at the high level of the waveform.

LOW argument causes the measurement for noise to be taken at the low level of the waveform.

Examples MEASUREMENT:MEAS1:NOISE HIGH causes the noise measurement to be made at the high level of the waveform for Measurement 1.

MEASUREMENT:MEAS2:NOISE? might return :MEASUREMENT:MEAS2:NOISE LOW, indicating that Measurement 2 will measure noise at the low level of the waveform.

MEASUREMENT:MEAS<x>:REFLevel? (Query Only)

This query-only command returns the current reference level parameters. It returns them in the following order: ABSOLUTE and then PERCENT for individual user measurements. Measurements are specified by x, which ranges from 1 through 8.

Group Measurement

Syntax MEASUREMENT:MEAS<x>:REFLevel?

Examples MEASUREMENT:MEAS1:REFLEVEL? might return :MEASUREMENT:MEAS1:REFLEVEL:ABSOLUTE:HIGH 1.7100E+00, indicating that the reference level is set to 1.71 V.

MEASUREMENT:MEAS<x>:REFLevel:ABSolute:HIGH

This command sets or queries the high reference level, and is the upper reference level when [MEASUREMENT:MEAS<x>:REFLevel:METHOD](#) is set to Absolute. Measurements are specified by x, which ranges from 1 through 8.

NOTE. *This command affects the results of rise and fall measurements*

Group Measurement

Syntax MEASUREMENT:MEAS<x>:REFLevel:ABSolute:HIGH <NR3>
MEASUREMENT:MEAS<x>:REFLevel:ABSolute:HIGH?

Related Commands [MEASUREMENT:MEAS<x>:REFLevel:METHOD](#)

Arguments <NR3> is the high reference level, in volts. The default is 0.0 V.

Examples MEASUREMENT:MEAS1:REFLEVEL:ABSOLUTE:HIGH 1.71 sets the high reference level to 1.71 V.

MEASUREMENT:MEAS1:REFLEVEL:ABSOLUTE:HIGH? might return
:MEASUREMENT:MEAS1:REFLEVEL:ABSOLUTE:HIGH 1.7100E+00, indicating that the absolute high reference level is set to 1.71 V.

MEASUREMENT:MEAS<x>:REFLevel:ABSolute:LOW

This command sets or queries the low reference level, and is the lower reference level when [MEASUREMENT:MEAS<x>:REFLevel:METHOD](#) is set to Absolute. Measurements are specified by x, which ranges from 1 through 8.

NOTE. *This command affects the results of rise and fall measurements.*

Group Measurement

Syntax MEASUREMENT:MEAS<x>:REFLevel:ABSolute:LOW <NR3>
MEASUREMENT:MEAS<x>:REFLevel:ABSolute:LOW?

Related Commands [MEASUREMENT:MEAS<x>:REFLevel:METHOD](#)

Arguments <NR3> is the low reference level, in volts. The default is 0.0 V.

Examples MEASUREMENT:MEAS1:REFLEVEL:ABSOLUTE:LOW 0.0 V sets the low reference level to 0.0 V.

MEASUREMENT:MEAS1:REFLEVEL:ABSOLUTE:LOW? might return
:MEASUREMENT:MEAS1:REFLEVEL:ABSOLUTE:LOW 0.0000E+00, indicating that the absolute low reference level is set to 0.0 V.

MEASUREMENT:MEAS<x>:REFLEVEL:ABSOLUTE:MID<x>

This command sets or queries the mid reference level for the “to” waveform when taking a delay measurement, and is the 50% reference level when [MEASUREMENT:MEAS<x>:REFLEVEL:METHOD](#) is set to Absolute. Mid1 sets the “from” waveform and Mid2 sets the “to” waveform when taking a delay measurement. Measurements are specified by x, which ranges from 1 through 8.

NOTE. This command affects the results of period, frequency, delay, and all cyclic measurements.

Group Measurement

Syntax MEASUREMENT:MEAS<x>:REFLEVEL:ABSOLUTE:MID<x> <NR3>
MEASUREMENT:MEAS<x>:REFLEVEL:ABSOLUTE:MID<x>?

Related Commands [MEASUREMENT:MEAS<x>:REFLEVEL:METHOD](#)

Arguments <NR3> is the mid reference level, in volts. The default is 0.0 V.

Examples MEASUREMENT:MEAS1:REFLEVEL:ABSOLUTE:MID2 0.5 sets the mid reference level for the delay waveform to 0.5 V.

MEASUREMENT:MEAS1:REFLEVEL:ABSOLUTE:MID2? might return
:MEASUREMENT:MEAS1:REFLEVEL:ABSOLUTE:MID2 0.5000E+00, indicating that the absolute mid2 reference level is set to 0.5 V.

MEASUREMENT:MEAS<x>:REFLEVEL:METHOD

This command specifies or queries the reference level units used for measurement calculations. This command is equivalent to selecting Reference Levels from the

Measure menu and then choosing the desired reference level from the Units group box. Measurements are specified by x, which ranges from 1 through 8.

Group Measurement

Syntax MEASUREMENT:MEAS<x>:REFLEVEL:METHOD {ABSOLUTE|PERCENT}
MEASUREMENT:MEAS<x>:REFLEVEL:METHOD?

Arguments ABSOLUTE specifies that the reference levels are set explicitly using the MEASUREMENT:MEAS<x>:REFLEVEL:ABSOLUTE commands. This method is useful when precise values are required (for example, when designing to published interface specifications, such as RS-232-C).

PERCENT specifies that the reference levels are calculated as a percent relative to HIGH and LOW. The percentages are defined using the MEASUREMENT:MEAS<x>:REFLEVEL:PERCENT commands.

Examples MEASUREMENT:MEAS1:REFLEVEL:METHOD ABSOLUTE specifies that explicit user-defined values are used for the reference levels.

MEASUREMENT:MEAS1:REFLEVEL:METHOD? might return :MEASUREMENT:MEAS1:REFLEVEL:METHOD PERCENT, indicating that the reference level units used are calculated as a percent relative to HIGH and LOW.

MEASUREMENT:MEAS<x>:REFLEVEL:PERCENT:HIGH

This command sets or queries the percentage (where 100% is equal to HIGH) used to calculate the high reference level when [MEASUREMENT:MEAS<x>:REFLEVEL:METHOD](#) is set to Percent. Measurements are specified by x, which ranges from 1 through 8.

NOTE. *This command affects the results of rise and fall measurements.*

Group Measurement

Syntax MEASUREMENT:MEAS<x>:REFLEVEL:PERCENT:HIGH <NR3>
MEASUREMENT:MEAS<x>:REFLEVEL:PERCENT:HIGH?

Related Commands [MEASUREMENT:MEAS<x>:REFLEVEL:METHOD](#)

Arguments	<NR3> is the high reference level, ranging from 0 to 100%. The default high reference level is 90%.
Examples	<p>MEASUREMENT:MEAS1:REFLEVEL:PERCENT:HIGH 95 sets the high reference level to 95% of HIGH.</p> <p>MEASUREMENT:MEAS1:REFLEVEL:PERCENT:HIGH? might return :MEASUREMENT:MEAS1:REFLEVEL:PERCENT:HIGH 90, indicating that the percentage high reference level is set to 90% of HIGH.</p>

MEASUREMENT:MEAS<x>:REFLEVEL:PERCENT:LOW

This command sets or queries the percentage (where 100% is equal to HIGH) used to calculate the low reference level when [MEASUREMENT:MEAS<x>:REFLEVEL:METHOD](#) is set to Percent. This command is equivalent to selecting Reference Levels from the Measure menu, and then entering the Percentage Low Ref value. Measurements are specified by x, which ranges from 1 through 8.

NOTE. *This command affects the results of rise and fall measurements.*

Group	Measurement
Syntax	<p>MEASUREMENT:MEAS<x>:REFLEVEL:PERCENT:LOW <NR3></p> <p>MEASUREMENT:MEAS<x>:REFLEVEL:PERCENT:LOW?</p>
Related Commands	MEASUREMENT:MEAS<x>:REFLEVEL:METHOD
Arguments	<NR3> is the low reference level, ranging from 0 to 100%. The default low reference level is 10%.
Examples	<p>MEASUREMENT:MEAS1:REFLEVEL:PERCENT:LOW 15 sets the high reference level to 15% of HIGH.</p> <p>MEASUREMENT:MEAS1:REFLEVEL:PERCENT:LOW? might return :MEASUREMENT:MEAS1:REFLEVEL:PERCENT:LOW 10, indicating that the percentage high reference level is set to 10% of HIGH.</p>

MEASUREMENT:MEAS<x>:REFLEVEL:PERCENT:MID<x>

This command sets or queries the percentage (where 100% is equal to HIGH) used to calculate the mid reference level for the second waveform specified

when `MEASUREMENT:MEAS<x>:REFLEVEL:METHOD` is set to Percent. Mid1 specifies the “from” waveform and Mid2 specifies the “to” waveform for delay measurements. Measurements are specified by x, which ranges from 1 through 8.

NOTE. *This command affects the results of delay measurements.*

Group Measurement

Syntax `MEASUREMENT:MEAS<x>:REFLEVEL:PERCENT:MID<x> <NR3>`
`MEASUREMENT:MEAS<x>:REFLEVEL:PERCENT:MID<x>?`

Related Commands `MEASUREMENT:MEAS<x>:REFLEVEL:METHOD`

Arguments <NR3> is the mid reference level, ranging from 0 to 100%. The default mid reference level is 50%.

Examples `MEASUREMENT:MEAS1:REFLEVEL:PERCENT:MID2 40` sets the mid2 reference level to 40% of HIGH.

`MEASUREMENT:MEAS1:REFLEVEL:PERCENT:MID2?` might return
`:MEASUREMENT:MEAS1:REFLEVEL:PERCENT:MID2 45`, indicating that the percentage mid2 reference level is set to 45% of HIGH.

MEASUREMENT:MEAS<x>:SOURCE<x>

This command sets or queries the source for all single channel measurements and specifies the reference source to measure “to” when taking a delay measurement or phase measurement. Measurements are specified by x, which ranges from 1 through 8. This command is equivalent to selecting Measurement Setup from the Measure menu, selecting a measurement type of either Phase or Delay, and then choosing the desired measurement source.

Tip: Source2 measurements apply only to phase and delay measurement types, which require both a target (Source1) and reference (Source2) source.

Group Measurement

Syntax `MEASUREMENT:MEAS<x>:SOURCE<x>`
`{CH<x> | MATH<y> | REF<x> | HISTOGRAM}`
`MEASUREMENT:MEAS<x>:SOURCE<x>?`

Related Commands [MEASUREMENT:MEAS<x>:TYPE](#)

- Arguments** CH<x> is an input channel waveform. The x variable can be expressed as an integer ranging from 1 through 4.
- MATH<y> is a math waveform. The y variable can be expressed as an integer ranging from 1 through 4.
- REF<x> is a reference waveform. The x variable can be expressed as an integer ranging from 1 through 4.
- HISTogram is a histogram. Histogram is valid only for source 1.
- Examples** MEASUREMENT:MEAS4:SOURCE2 CH1 specifies CH1 as the delay “to” source when making delay measurement.
- MEASUREMENT:MEAS2:SOURCE2? might return
 :MEASUREMENT:MEAS2:SOURCE2 MATH1, indicating that Math 1 is the measurement 2 source.

MEASUREMENT:MEAS<x>:SOURCE<x>:SIGType

This command sets or queries the type of input signal used for the specified measurement slot. MEAS<x> is 1 through 8 for the measurement slot using SOURCE<x>, 1 or 2.

To ensure accurate measurements, use this command to specify the input-signal type for the measurement source.

Conditions This command is only valid if the instrument has Option MTM is installed.

Group Measurement

Syntax MEASUREMENT:MEAS<x>:SOURCE<x>:SIGType {PULSE|EYE}
MEASUREMENT:MEAS<x>:SOURCE<x>:SIGType?

Arguments PULSE is for generic signals that are not associated with synchronous communications standards.

 EYE is for synchronous-communication signals with NRZ-like characteristics (nonreturn to zero).

Examples MEASUREMENT:MEAS5:SOURCE1:SIGTYPE PULSE selects Pulse as the signal type associated with source 1 for measurement slot 5.

MEASUREMENT:MEAS2:SOURCE1:SIGTYPE? might return
:MEASUREMENT:MEAS2:SOURCE1:SIGTYPE EYE, indicating that the
signal type associated with source 1 of measurement slot 2 is EYE.

MEASUREMENT:MEAS<x>:STATE

This command sets or queries whether the specified measurement slot is computed and displayed. The measurement slot is specified by x, which ranges from 1 through 8. This command is equivalent to selecting Measurement Setup from the Measure menu and then clicking the Display button.

For a measurement to display, you must have selected a source waveform and defined the measurement you want to take and display. You select the measurement using the [MEASUREMENT:MEAS<x>:SOURCE<x>](#) command. You define the measurement type using the [MEASUREMENT:MEAS<x>:TYPE](#) command.

Group Measurement

Syntax MEASUREMENT:MEAS<x>:STATE {OFF|ON|<NR1>}
MEASUREMENT:MEAS<x>:STATE?

Related Commands [MEASUREMENT:MEAS<x>:SOURCE<x>](#), [MEASUREMENT:MEAS<x>:TYPE](#)

Arguments OFF disables calculation and display of the specified measurement slot.
ON enables calculation and display of the specified measurement slot.
<NR1> = 0 disables calculation and display of the specified measurement slot; any other value enables calculation and display of the specified measurement slot.

Examples MEASUREMENT:MEAS2:STATE ON computes and displays the measurement defined as measurement 2.
MEASUREMENT:MEAS1:STATE? might return :MEASUREMENT:MEAS1:STATE 0, indicating that measurement defined for measurement slot 1 is disabled.

MEASUREMENT:MEAS<x>:STDdev? (Query Only)

This query-only command returns the standard deviation of values accumulated for this measurement since the last statistical reset. Measurements are specified by x, which ranges from 1 through 8.

Group	Measurement
Syntax	MEASUREMENT:MEAS<x>:STDdev?
Examples	MEASUREMENT:MEAS1:STDDEV? might return :MEASUREMENT:MEAS1:STDDEV 21.0E-12.

MEASUREMENT:MEAS<x>:TYPE

This command sets or queries the measurement type defined for the specified measurement slot. The measurement slot is specified by x, which ranges from 1 through 8. This command is equivalent to selecting Measurement Setup from the Measure menu and then choosing the desired measurement type.

Group	Measurement
Syntax	MEASUREMENT:MEAS<x>:TYPE {AMPLitude AREa BURSt CAREa CMEan CRMS DELay DISTDuty EXTINCTDB EXTINCTPCT EXTINCTRATIO EYEHeight EYEWIdth FALL FREQUency HIGH HITS LOW MAXimum MEAN MEDIan MINImum NCROSS NDuty NOVershoot NWIdth PBASE PCROSS PCTCROSS PDuty PEAKHits PERIod PHase PK2Pk PKPKJitter PKPKNoise POVershoot PTOP PWidth QFACTOR RISE RMS RMSJitter RMSNoise SIGMA1 SIGMA2 SIGMA3 SIXSigmaJit SNRatio STDdev UNDEFINED WAVEFORMS} MEASUREMENT:MEAS<x>:TYPE?
Arguments	<p>AMPLitude measures the amplitude of the selected waveform. In other words, it measures the high value less the low value measured over the entire waveform or gated region.</p> $\textit{Amplitude} = \textit{High} - \textit{Low}$ <p>AREa measures the voltage over time. The area is over the entire waveform or gated region and is measured in volt-seconds. The area measured above the ground is positive, while the area below ground is negative.</p> <p>BURSt measures the duration of a burst. The measurement is made over the entire waveform or gated region.</p> <p>CAREa (cycle area) measures the voltage over time. In other words, it measures, in volt-seconds, the area over the first cycle in the waveform or the first cycle in the gated region. The area measured above the common reference point is positive, while the area below the common reference point is negative.</p>

CMEan (cycle mean) measures the arithmetic mean over the first cycle in the waveform or the first cycle in the gated region.

CRMS (cycle rms) measures the true Root Mean Square voltage over the first cycle in the waveform or the first cycle in the gated region.

DElay measures the time between the middle reference (default = 50%) amplitude point of the source waveform and the destination waveform.

DISTDuty (duty cycle distortion) measures the time between the falling edge and the rising edge of the eye pattern at the mid reference level. It is the peak-to-peak time variation of the first eye crossing measured at the mid-reference as a percent of the eye period.

EXTINCTDB measures the extinction ratio of an optical waveform (eye diagram). Extinction Ratio (dB) measures the ratio of the average power levels for the logic High to the logic Low of an optical waveform and expresses the result in dB. This measurement only works for fast acquisition signals or a reference waveform saved in fast acquisition mode.

$$\text{Extinction dB} = 10 \times (\log 10 (\text{High} / \text{Low}))$$

EXTINCTPCT measures the extinction ratio of the selected optical waveform. Extinction Ratio (%) measures the ratio of the average power levels for the logic Low (off) to the logic (High) (on) of an optical waveform and expresses the result in percent. This measurement only works for fast acquisition signals or a reference waveform saved in fast acquisition mode.

$$\text{Extinction \%} = 100.0 \times (\text{Low} / \text{High})$$

EXTINCTRATIO measures the extinction ratio of the selected optical waveform. Extinction Ratio measures the ratio of the average power levels for the logic High to the logic Low of an optical waveform and expresses the result without units. This measurement only works for fast acquisition signals or a reference waveform saved in fast acquisition mode. Extinction ratios greater than 100 or less than 1 generate errors; low must be greater than or equal to 1 μ W.

$$\text{Extinction Ratio} = (\text{High} / \text{Low})$$

EYEheight measures the vertical opening of an eye diagram in volts.

EYEWidth measures the width of an eye diagram in seconds.

FALL measures the time taken for the falling edge of the first pulse in the waveform or gated region to fall from a high reference value (default is 90%) to a low reference value (default is 10%).

FREquency measures the first cycle in the waveform or gated region. Frequency is the reciprocal of the period and is measured in hertz (Hz), where 1 Hz = 1 cycle per second.

HIGH measures the High reference (100% level, sometimes called Topline) of a waveform.

You can also limit the High measurement (normally taken over the entire waveform record) to a gated region on the waveform.

HITS (histogram hits) measures the number of points in or on the histogram box.

LOW measures the Low reference (0% level, sometimes called Baseline) of a waveform.

MAXimum finds the maximum amplitude. This value is the most positive peak voltage found. It is measured over the entire waveform or gated region. When histogram is selected with the **MEASUREMENT:METHod** command, the maximum measurement measures the voltage of the highest nonzero bin in vertical histograms or the time of the right-most bin in horizontal histograms.

MEAN amplitude measurement finds the arithmetic mean over the entire waveform or gated region. When histogram is selected with the **MEASUREMENT:METHod** command, the mean measurement measures the average of all acquired points within or on the histogram.

MEDian (histogram measurement) measures the middle point of the histogram box. Half of all acquired points within or on the histogram box are less than this value and half are greater than this value.

MINimum finds the minimum amplitude. This value is typically the most negative peak voltage. It is measured over the entire waveform or gated region. When histogram is selected with the **MEASUREMENT:METHod** command, the minimum measurement measures the lowest nonzero bin in vertical histograms or the time of the left-most nonzero bin in the horizontal histograms.

NCROSS (timing measurement) measures the time from the trigger point to the first falling edge of the waveform or gated region. The distance (time) is measured at the middle reference amplitude point of the signal.

NDuty (negative duty cycle) is the ratio of the negative pulse width to the signal period, expressed as a percentage. The duty cycle is measured on the first cycle in the waveform or gated region.

$$\text{Negative Duty Cycle} = (\text{Negative Width}) / \text{Period} \times 100\%$$

NOvershoot (negative overshoot) finds the negative overshoot value over the entire waveform or gated region.

$$\text{Negative Overshoot} = (\text{Low} - \text{Minimum}) / \text{Amplitude} \times 100\%$$

NWIdth (negative width) measurement is the distance (time) between the middle reference (default = 50%) amplitude points of a negative pulse. The measurement is made on the first pulse in the waveform or gated region.

PBASE measures the base value used in extinction ratio measurements.

PCROSS (timing measurement) measures the time from the trigger point to the first positive edge of the waveform or gated region. The distance (time) is measured at the middle reference amplitude point of the signal.

PCTCROSS measures the location of the eye crossing point expressed as a percentage of EYEHeight.

$$\text{Crossing percent} = 100 \times [(\text{eye-crossing-point} - \text{PBASe}) / (\text{PTOP} - \text{PBASe})]$$

PDuty (positive duty cycle) is the ratio of the positive pulse width to the signal period, expressed as a percentage. It is measured on the first cycle in the waveform or gated region.

$$\text{Positive Duty Cycle} = (\text{Positive Width}) / \text{Period} \times 100\%$$

PEAKHits measures the number of points in the largest bin of the histogram.

PERIOD is the time required to complete the first cycle in a waveform or gated region. Period is the reciprocal of frequency and is measured in seconds.

PHASE measures the phase difference (amount of time a waveform leads or lags the reference waveform) between two waveforms. The measurement is made between the middle reference points of the two waveforms and is expressed in degrees, where 360° represents one waveform cycle.

PK2Pk (peak-to-peak) finds the absolute difference between the maximum and minimum amplitude in the entire waveform or gated region. When histogram is selected with the [MEASUREMENT:METHOD](#) command, the PK2Pk measurement measures the histogram peak to peak difference.

PKPKJitter measures the variance (minimum and maximum values) in the time locations of the cross point.

PKPKNoise measures the peak-to-peak noise on a waveform at the mid reference level.

POvershoot

The positive overshoot amplitude measurement finds the positive overshoot value over the entire waveform or gated region.

$$\text{Positive Overshoot} = (\text{Maximum} - \text{High}) / \text{Amplitude} \times 100\%$$

PTOT measures the top value used in extinction ratio measurements.

PWidth (positive width) is the distance (time) between the middle reference (default = 50%) amplitude points of a positive pulse. The measurement is made on the first pulse in the waveform or gated region.

QFACTOR measures the quality factor. The Q factor is a figure of merit for an eye diagram, which indicates the vertical eye opening relative to the noise at the low and high logic levels. It is the ratio of the eye size to noise.

RISe timing measurement finds the rise time of the waveform. The rise time is the time it takes for the leading edge of the first pulse encountered to rise from a low reference value (default is 10%) to a high reference value (default is 90%).

RMS amplitude measurement finds the true Root Mean Square voltage in the entire waveform or gated region.

RMSJitter measures the variance in the time locations of the cross point. The RMS jitter is defined as one standard deviation at the cross point.

RMSNoise measures the Root Mean Square noise amplitude on a waveform at the mid reference level.

SIGMA1 (histogram measurement) measures the percentage of points in the histogram that are within one standard deviation of the histogram mean.

SIGMA2 (histogram measurement) measures the percentage of points in the histogram that are within two standard deviations of the histogram mean.

SIGMA3 (histogram measurement) measures the percentage of points in the histogram that are within three standard deviations of the histogram mean.

SIXSigmajit (histogram measurement) is $6 \times \text{RMSJitter}$.

SNRatio measures the signal-to-noise ratio. The signal-to-noise ratio is the amplitude of a noise rejection band centered on the mid level.

STDdev measures the standard deviation (Root Mean Square (RMS) deviation) of all acquired points within or on the histogram box.

UNDEFINED is the default measurement type, which indicates that no measurement type is specified. Once a measurement type is chosen, it can be cleared using this argument.

WAVEFORMS (waveform count) measures the number of waveforms used to calculate the histogram.

Examples `MEASUREMENT:MEAS2:TYPE FREQUENCY` defines measurement 2 as a measurement of the frequency of a waveform.

`MEASUREMENT:MEAS1:TYPE?` might return `:MEASUREMENT:MEAS1:TYPE RMS`, indicating that measurement 1 is defined to measure the RMS value of a waveform.

MEASUREMENT:MEAS<x>:UNITS? (Query Only)

This query-only command returns the units associated with the specified measurement. Measurements are specified by *x*, which ranges from 1 through 8.

Group Measurement

Syntax `MEASUREMENT:MEAS<x>:UNITS?`

Related Commands [MEASUREMENT:MEAS<x>:TYPE](#)

Examples MEASUREMENT:MEAS1:UNITS? might return :MEASUREMENT:MEAS1:UNITS %, indicating units for measurement 1 are set to percent.

MEASUREMENT:MEAS<x>:VALUE? (Query Only)

This query-only command returns the value that has been calculated for the measurement specified by <x>, which ranges from 1 through 8. This command is equivalent to selecting Display Statistics from the Measure menu and then choosing Value from the drop-down list to display *all* measurement values on-screen.

NOTE. *This is the displayed value in the on-screen display. If measurement statistics are enabled, a new value is calculated with every waveform. In addition, this value is updated about every 1/3 second. If you are acquiring a long acquisition record, the instrument may take longer to update.*

Group Measurement

Syntax MEASUREMENT:MEAS<x>:VALUE?

Related Commands MEASUREMENT:MEAS<x>:UNITS?, *ESR?, ALLEv?

Examples MEASUREMENT:MEAS1:VALUE? might return :MEASUREMENT:MEAS1:VALUE 2.8740E-06. If the measurement has an error or warning associated with it, then an item is added to the error queue. The error can be checked for with the *ESR? and ALLEv? commands.

MEASUREMENT:METHOd

This command sets or queries the method used to calculate the 0% and 100% reference level. This command is equivalent to selecting Reference Levels from the Measure menu and then choosing the desired Determine Base, Top From setting.

Group Measurement

Syntax MEASUREMENT:METHOd {HISTogram|MEAN|MINMax}
MEASUREMENT:METHOd?

Related Commands [MEASUREMENT:REFLevel:PERCent:HIGH](#), [MEASUREMENT:REFLevel:PERCent:LOW](#), [MEASUREMENT:REFLevel:PERCent:MID<x>](#),

Arguments **HISTogram** sets the high and low reference levels to the most common values either above or below the mid point, depending on whether the high reference point or the low reference point is being defined. Because the statistical approach ignores short-term aberrations, such as overshoot or ringing, the histogram method is the best setting for examining pulses.

MEAN sets the high and low reference levels to the mean values using all values either above or below the midpoint, depending of whether it is defining the high or low reference level. The selection is best used for examining eye patterns.

MINMax uses the highest and lowest values of the waveform record. This selection is best for examining waveforms with no large, flat portions of a common value, such as sine waves and triangle waves.

Examples `MEASUREMENT:METHOD HISTOGRAM` specifies that the high and low reference levels are set statistically.

`MEASUREMENT:METHOD?` might return `:MEASUREMENT:METHOD MINMAX`, indicating that the reference levels are set to MIN and MAX.

MEASUREMENT:NOISE

This command sets or queries whether the noise measurement is made on the high or low level of the waveform. Sending this command is equivalent to selecting Ref Levs > Eye > Top Level or Base Level in the Comm tab of the Measurement Setup dialog box. The Eye section is displayed only if you have an eye-pattern or optical measurement defined.

Conditions This command is only valid if the instrument has Option MTM is installed

Group Measurement

Syntax `MEASUREMENT:NOISE {HIGH|LOW}`
`MEASUREMENT:NOISE?`

Arguments **HIGH** argument causes the measurement for noise to be taken at the high level of the waveform.

LOW argument causes the measurement for noise to be taken at the low level of the waveform.

Examples MEASUREMENT:NOISE HIGH causes the noise measurement to be made at the high level of the waveform.

MEASUREMENT:NOISE? might return :MEASUREMENT:NOISE LOW, indicating that the noise measurement will be made at the low level of the waveform.

MEASUREMENT:REFLevel:ABSolute:HIGH

This command sets or queries the high reference level, and is the upper reference level when [MEASUREMENT:REFLevel:METHOD](#) is set to Absolute. This command affects the results of rise and fall measurements and is equivalent to selecting Reference Levels from the Measure menu, and then entering the Absolute High Ref value.

NOTE. *this command affects the associated reference level parameter for all MEASUREMENT:IMMed and the eight periodic measurements. To change the parameter for individual measurements, use the MEASUREMENT:MEAS<x>:REFLevel commands.*

Group Measurement

Syntax MEASUREMENT:REFLevel:ABSolute:HIGH <NR3>
MEASUREMENT:REFLevel:ABSolute:HIGH?

Related Commands [MEASUREMENT:REFLevel:METHOD](#), [MEASUREMENT:IMMed:TYPE](#), [MEASUREMENT:MEAS<x>:TYPE](#)

Arguments <NR3> is the high reference level, in volts. The default is 0.0 V.

Examples MEASUREMENT:REFLEVEL:ABSOLUTE:HIGH 1.71 sets the high reference level to 1.71 V.

MEASUREMENT:REFLEVEL:ABSOLUTE:HIGH? might return
:MEASUREMENT:REFLEVEL:ABSOLUTE:HIGH 1.7100E+00,
indicating that the absolute high reference level is set to 1.71 V.

MEASUREMENT:REFLevel:ABSolute:LOW

This command sets or queries the low reference level, and is the lower reference level when [MEASUREMENT:REFLevel:METHOD](#) is set to Absolute. This command affects the results of rise and fall measurements and is equivalent

to selecting Reference Levels from the Measure menu, and then entering the Absolute Low Ref value.

NOTE. *this command affects the associated reference level parameter for all MEASurements:IMMed and the eight periodic measurements. To change the parameter for individual measurements, use the MEASUrement:MEAS<x>:REFLevel commands.*

Group Measurement

Syntax MEASUrement:REFLevel:ABSolute:LOW <NR3>
MEASUrement:REFLevel:ABSolute:LOW?

Related Commands [MEASUrement:REFLevel:METHOD](#), [MEASUrement:IMMed:TYPE](#), [MEASUrement:MEAS<x>:TYPE](#)

Arguments <NR3> is the low reference level, in volts. The default is 0.0 V.

Examples MEASUREMENT:REFLEVEL:ABSOLUTE:LOW 0.0 sets the low reference level to 0.0 V.

MEASUREMENT:REFLEVEL:ABSOLUTE:LOW? might return
:MEASUREMENT:REFLEVEL:ABSOLUTE:LOW 0.0000E+00, indicating that the absolute low reference level is set to 0.0 V.

MEASUrement:REFLevel:ABSolute:MID<x>

This command sets or queries the mid reference level for the “from” waveform (mid1) and the “to” waveform (mid2) when taking a delay measurement, and is the 50% reference level when [MEASUrement:REFLevel:METHOD](#) is set to Absolute. This command affects the results of period, frequency, delay, and all cyclic measurements and is equivalent to selecting Reference Levels from the Measure menu, and then entering the Absolute Mid2 Ref value.

NOTE. *This command affects the associated reference level parameter for all MEASurements:IMMed and the eight periodic measurements. To change the parameter for individual measurements, use the MEASUrement:MEAS<x>:REFLevel commands.*

Group Measurement

Syntax MEASUREMENT:REFLEVEL:ABSOLUTE:MID<x> <NR3>
MEASUREMENT:REFLEVEL:ABSOLUTE:MID<x>?

Related Commands [MEASUREMENT:REFLEVEL:METHOD](#)

Arguments <NR3> is the mid reference level, in volts. The default is 0.0 V.

Examples MEASUREMENT:REFLEVEL:ABSOLUTE:MID2 0.5 sets the mid reference level for the delay waveform to 0.5 V.

MEASUREMENT:REFLEVEL:ABSOLUTE:MID2? might return
:MEASUREMENT:REFLEVEL:ABSOLUTE:MID2 0.5000E+00, indicating that the absolute mid2 reference level is set to 0.5 V.

MEASUREMENT:REFLEVEL:METHOD

This command specifies or queries the reference level units used for measurement calculations. This command is equivalent to selecting Reference Levels from the Measure menu, and then choosing the desired reference level from the Units group box.

NOTE. *This command affects the associated reference level parameter for all MEASUREMENTS:IMMED and the eight periodic measurements. To change the parameter for individual measurements, use the MEASUREMENT:MEAS<x>:REFLEVEL commands.*

Group Measurement

Syntax MEASUREMENT:REFLEVEL:METHOD {ABSOLUTE|PERCENT}
MEASUREMENT:REFLEVEL:METHOD?

Arguments ABSOLUTE specifies that the reference levels are set explicitly using the MEASUREMENT:REFLEVEL:ABSOLUTE commands. This method is useful when precise values are required (for example, when designing to published interface specifications, such as RS-232-C).

PERCENT specifies that the reference levels are calculated as a percent relative to HIGH and LOW. The percentages are defined using the MEASUREMENT:REFLEVEL:PERCENT commands.

Examples MEASUREMENT:REFLEVEL:METHOD ABSOLUTE specifies that explicit user-defined values are used for the reference levels.

MEASUREMENT:REFLEVEL:METHOd? might return
 :MEASUREMENT:REFLEVEL:METHOd PERCENT, indicating that
 the reference level units used are calculated as a percent relative to HIGH and
 LOW.

MEASUrement:REFLevel:PERCent:HIGH

This command sets or queries the percent (where 100% is equal to HIGH) that is used to calculate the high reference level when [MEASUrement:REFLevel:METHod](#) is set to Percent. This command affects the results of rise and fall measurements and is equivalent to selecting Reference Levels from the Measure menu, and then entering the Percentage High Ref value.

NOTE. *This command affects the associated reference level parameter for all MEASurements:IMMed and the eight periodic measurements. To change the parameter for individual measurements, use the MEASUrement:MEAS<x>:REFLevel commands.*

Group	Measurement
Syntax	MEASUrement:REFLevel:PERCent:HIGH <NR3> MEASUrement:REFLevel:PERCent:HIGH?
Related Commands	MEASUrement:REFLevel:METHod , MEASUrement:IMMed:TYPe , MEASUrement:MEAS<x>:TYPe
Arguments	<NR3> is the high reference level, ranging from 0 to 100%. The default high reference level is 90%.
Examples	MEASUREMENT:REFLEVEL:PERCENT:HIGH 95 sets the high reference level to 95% of HIGH. MEASUREMENT:REFLEVEL:PERCENT:HIGH ? might return :MEASUREMENT:REFLEVEL:PERCENT:HIGH 90, indicating that the percentage high reference level is set to 90% of HIGH.

MEASUrement:REFLevel:PERCent:LOW

This command sets or queries the percent (where 100% is equal to HIGH) that is used to calculate the low reference level when [MEASUrement:REFLevel:METHod](#) is set to Percent. This command affects the

results of rise and fall measurements and is equivalent to selecting Reference Levels from the Measure menu, and then entering the Percentage Low Ref value.

NOTE. *This command affects the associated reference level parameter for all MEASurements:IMMed and the eight periodic measurements. To change the parameter for individual measurements, use the MEASUrement:MEAS<x>:REFLevel commands.*

Group Measurement

Syntax MEASUrement:REFLevel1:PERCent:LOW <NR3>
MEASUrement:REFLevel1:PERCent:LOW?

Related Commands MEASUrement:REFLevel:METhod, MEASUrement:IMMed:TYPe, MEASUrement:MEAS<x>:TYPe

Arguments <NR3> is the low reference level, ranging from 0 to 100%. The default low reference level is 10%.

Examples MEASUREMENT:REFLEVEL:PERCENT:LOW 15 sets the high reference level to 15% of HIGH.

MEASUREMENT:REFLEVEL:PERCENT:LOW? might return
:MEASUREMENT:REFLEVEL:PERCENT:LOW 10, indicating that the percentage high reference level is set to 10% of HIGH.

MEASUrement:REFLevel:PERCent:MID<x>

This command sets or queries the percent (where 100% is equal to HIGH) that is used to calculate the mid reference level when MEASUrement:REFLevel:METhod is set to Percent. Mid1 specifies the percent for the first waveform and Mid2 specifies the percent for the second waveform specified for delay measurements. This command affects the results of period, frequency, delay, and all cyclic measurements and is equivalent to selecting Reference Levels from the Measure menu, and then entering the Percentage Mid Ref value.

NOTE. *This command affects the associated reference level parameter for all MEASurements:IMMed and the eight periodic measurements. To change the parameter for individual measurements, use the MEASUrement:MEAS<x>:REFLevel commands.*

Group	Measurement
Syntax	MEASUREMENT:REFLEVEL:PERCENT:MID<x> <NR3> MEASUREMENT:REFLEVEL:PERCENT:MID<x>?
Related Commands	MEASUREMENT:REFLEVEL:METHOD
Arguments	<NR3> is the mid reference level, ranging from 0 to 100%. The default mid reference level is 50%.
Examples	MEASUREMENT:REFLEVEL:PERCENT:MID2 40 sets the mid2 reference level to 40% of HIGH. MEASUREMENT:REFLEVEL:PERCENT:MID2? might return :MEASUREMENT:REFLEVEL:PERCENT:MID2 45, indicating that the percentage mid2 reference level is set to 45% of HIGH.

MEASUREMENT:SOURCE<x>:SIGTYPE

This command sets or queries the type of input signal used for measurement SOURCE<x>, 1 or 2.

To ensure accurate measurements, use this command to specify the input-signal type for the measurement source.

Conditions	This command is valid only if the instrument has Option MTM is installed
Group	Measurement
Syntax	MEASUREMENT:SOURCE<x>:SIGTYPE {PULSE EYE} MEASUREMENT:SOURCE<x>:SIGTYPE?
Arguments	PULSE is for generic signals that are not associated with synchronous communications standards. EYE is for synchronous-communication signals with NRZ-like characteristics (nonreturn to zero).
Examples	MEASUREMENT:SOURCE1:SIGTYPE PULSE selects Pulse as the signal type for source 1.

MEASUREMENT:SOURCE1:SIGTYPE? might return
:MEASUREMENT:SOURCE1:SIGTYPE EYE, indicating that the
signal type for source 1 is EYE.

MEASUREMENT:STATISTICS:COUNT (No Query Form)

This command (no query form) clears existing measurement statistics from memory. This command is equivalent to selecting Measurement Setup from the Measure menu, selecting Statistics, and clicking the Reset button.

Group Measurement

Syntax MEASUREMENT:STATISTICS:COUNT {RESET}

Related Commands [MEASUREMENT:STATISTICS:MODE](#)

Arguments RESET clears existing measurement statistics from memory.

Examples MEASUREMENT:STATISTICS:COUNT RESET resets the count of the statistics measurement to zero, clears the measurement statistics from memory, and restarts the calculation.

MEASUREMENT:STATISTICS:MODE

This command controls the operation and display of measurement statistics. This command is equivalent to selecting Measurement Setup from the Measure menu, clicking the Statistics button and then choosing the desired Measurement Format.

Group Measurement

Syntax MEASUREMENT:STATISTICS:MODE
{OFF|ALL|VALUEMean|MINMax|MEANSTDdev}
MEASUREMENT:STATISTICS:MODE?

Related Commands [MEASUREMENT:STATISTICS:WEIGHTING](#)

Arguments OFF turns off all measurements. This is the default value.
ALL turns on statistics and displays all statistics for each measurement.

VALUEMean turns on statistics and displays the value and the mean (μ) of each measurement.

MINMax turns on statistics and displays the min and max of each measurement.

MEANSTDdev turns on statistics and displays the mean and standard deviation of each measurement.

Examples `MEASUREMENT:STATISTICS:MODE OFF` turns off statistic measurements.
`MEASUREMENT:STATISTICS:MODE?` might return
`:MEASUREMENT:STATISTICS:MODE ALL`, indicating that measurement statistics are turned on and all statistics are being displayed for each measurement.

MEASUREMENT:STATISTICS:WEIGHTING

This command sets or queries the time constant for mean and standard deviation statistical accumulations. This command is equivalent to selecting Measurement Setup from the Measure menu, clicking the Statistics button and entering the desired Weight n= value.

Group Measurement

Syntax `MEASUREMENT:STATISTICS:WEIGHTING <NR1>`
`MEASUREMENT:STATISTICS:WEIGHTING?`

Related Commands [MEASUREMENT:STATISTICS:MODE](#)

Arguments <NR1> is the time constant for the mean and standard deviation statistical accumulations.

Examples `MEASUREMENT:STATISTICS:WEIGHTING 4` sets statistical weighting to 4.
`MEASUREMENT:STATISTICS:WEIGHTING?` might return
`:MEASUREMENT:STATISTICS:WEIGHTING 4`, indicating that measurement statistics weighting is currently set to 4.

NEWpass (No Query Form)

This command (no query form) changes the password that enables access to password protected data. The `PASSWORD` command must be successfully executed before using this command or an execution error will be generated.

Group	Miscellaneous
Syntax	NEWpass <QString>
Related Commands	PASSWord , *PUD
Arguments	<QString> is the new password, which can contain up to 10 characters.
Examples	NEWPASS "mypassword" creates a new password (mypassword) for accessing your protected data.

*OPC

This command generates the operation complete message in the Standard Event Status Register (SESR) when all pending commands that generate an OPC message are complete. The *OPC? query places the ASCII character “1” into the output queue when all such OPC commands are complete. The *OPC? response is not available to read until all pending operations finish. For a complete discussion of the use of these registers and the output queue, see Registers and Queues.

The *OPC command allows you to synchronize the operation of the instrument with your application program. For more information, see Synchronization Methods.

Table 2-18: Commands that Generate an OPC Message

Operation	Command
Single sequence acquisition	ACQUIRE:STATE ON or ACQUIRE:STATE RUN or ACQUIRE:STATE 1 (when ACQUIRE:STOPAfter is set to SEQUENCE)
Hardcopy operation	HARDCOPY START
Calibration step	Refer to the Service Manual.
Channel bandwidth	CH<x>:BANDWIDTH

Group	Status and Error
Syntax	*OPC *OPC?
Related Commands	BUSY? , *WAI

- Examples** *OPC generates the operation complete message in the SESR at the completion of all pending OPC operations.
- *OPC? might return 1 to indicate that all pending OPC operations are finished.

*OPT? (Query Only)

This query-only command returns a list of the options installed in your instrument.

- Group** Status and Error
- Syntax** *OPT?
- Examples** *OPT? might return :3M:16 Meg Max 4M/CH.

PASSWord (No Query Form)

This command (no query form) enables the *PUD and NEWpass set commands. Sending PASSWord without any arguments disables these same commands. Once the password is successfully entered, the *PUD and NEWpass commands are enabled until the instrument is powered off, or until the FACTory command, the PASSWord command with no arguments, or the *RST command is issued.

To change the password, you must first enter the valid password with the PASSWord command and then change to your new password with the NEWpass command. Remember that the password is case sensitive.

- Group** Miscellaneous
- Syntax** PASSWord <QString>
- Related Commands** [NEWpass](#), [*PUD](#)
- Arguments** <QString> is the password, which can contain up to 10 characters. The factory default password is "XYZZY" and is always valid.
- Examples** PASSWORD "XYZZY" enables the *PUD and NEWPass set commands.
- PASSWORD disables the *PUD and NEWPass set commands. You can still use the query version of *PUD.

*PSC

This command sets and queries the power-on status flag that controls the automatic power-on handling of the DESER, SRER, and ESER registers. When *PSC is true, the DESER register is set to 255 and the SRER and ESER registers are set to 0 at power-on. When *PSC is false, the current values in the DESER, SRER, and ESER registers are preserved in nonvolatile memory when power is shut off and are restored at power-on.

Group Status and Error

Syntax *PSC {OFF|ON|<NR1>}
*PSC?

Related Commands DESE, *ESE, FACtory, *RST, *SRE

Arguments OFF sets the power-on status clear flag to false, disables the power-on clear and allows the instrument to possibly assert SRQ after power-on.

ON sets the power-on status clear flag to true, enabling the power-on status clear and prevents any SRQ assertion after power on.

<NR1> = 0 sets the power-on status clear flag to false, disables the power-on clear and allows the instrument to possibly assert SRQ after power-on; any other value sets the power-on status clear flag to true, enabling the power-on status clear and prevents any SRQ assertion after power on.

Examples *PSC 0 sets the power-on status clear flag to false.

*PSC? might return 1 to indicate that the power-on status clear flag is set to true.

*PUD

This command sets or queries a string of Protected User Data. This data is protected by the PASSWord command. You can modify it only by first entering the correct password. This password is not necessary to query the data.

Group Status and Error

Syntax *PUD {<Block>|<QString>}
*PUD?

Related Commands [PASSWord](#)

Arguments <Block> is a block containing up to 100 characters.
<QString> is a string containing up to 100 characters.

Examples *PUD #229This instrument belongs to me stores the string “This instrument belongs to me” in the user protected data area.
*PUD? might return #221PROPERTY OF COMPANY X.

*RCL (No Query Form)

This command (no query form) restores the state of the instrument from a copy of the settings stored in memory (The settings are stored using the *SAV command). If ‘factory’ is referenced (by specifying ‘0’), the factory default values will be restored.

This command is equivalent to RECALL:SETup and performs the same function as selecting Recall from the File menu, and then pressing the Setup button.

Group Save and Recall

Syntax *RCL <NR1>

Related Commands [DELEte:SETUp](#), [FACTory](#), [*LRN?](#), [RECALL:SETUp](#), [*RST](#), [*SAV](#), [SAVE:SETUp](#)

Arguments <NR1> specifies a setup storage location value ranging from 0 through 10. Using an out-of-range value causes an execution error.

Examples *RCL 3 restores the instrument from a copy of the settings stored in memory location 3.

RECALL:MASK (No Query Form)

This command (no query form) recalls a stored mask as the User mask.

Group Mask

Syntax RECALL:MASK <QString>

Related Commands [SAVe:MASK](#)

Arguments <QString> is a quoted string that defines the file name and path from where the mask will be recalled. Input the file path using the form <drive>/<dir>/<filename>. <drive> and one or more <dir>s are optional. If you do not specify them, the instrument will read the mask from the default directory. <filename> stands for a filename of up to 128 characters (use of wildcard characters in filenames is not supported). Filename extensions are not required but are highly recommended.

The file is stored in ASCII format and is user-editable.

Examples RECALL:MASK "TEST" recalls the mask stored in the file named TEST as the User mask.

RECALL:SETUp (No Query Form)

This command (no query form) returns stored or factory settings to the instrument from a copy of the settings stored in memory. If factory is referenced (by specifying '0'), the factory default values will be restored. This command is equivalent to *RCL and performs the same function as selecting Recall from the File menu, and then choosing the Setup button.

Group Save and Recall

Syntax RECALL:SETUp {FACTory|<NR1>|<file path>}

Related Commands [FACTory](#), [*RCL](#), [*RST](#), [*SAV](#), [SAVe:SETUp](#)

Arguments FACTory restores the factory setup.

<NR1> specifies a setup storage location to restore. Setup storage location values range from 0 through 10; using an out of range value causes an error (222, "Data out of range").

<file path> specifies a location for an instrument setup file. <file path> is a quoted string that defines the file name and path. Input the file path using the form <drive>:<dir>/<filename>. <drive> and one or more <dir>s are optional. If you do not specify them, the instrument will read the file from the default directory (C:\TekScope\setups). <filename> stands for a filename of up to 128 characters

(use of wildcard characters in filenames is not supported). Filename extensions are not required, but highly recommended.

- Examples**
- `RECALL:SETUP FACTORY` recalls (and makes current) the instrument setup to its factory defaults.
- `RECALL:SETUP 2` recalls the instrument setup from setup storage location 2.
- `RECALL:SETUP "TEK00000.SET"` recalls the setup from the file `TEK00000.SET` in the default directory for setups (`C:\TekScope\setups`).

RECALL:WAVEform (No Query Form)

This command (no query form) recalls a stored waveform to a reference location. This command is equivalent to selecting Recall from the File menu, and then pressing the Waveform button.

Group Save and Recall

Syntax `RECALL:WAVEform <file path>,REF<x>`

Related Commands [DELETE:WAVEform](#), [SAVE:WAVEform](#)

Arguments `REF<x>` specifies a location in internal reference memory. Reference memory location values range from 1 through 4.

`<file path>` specifies a location for a stored waveform file. `<file path>` is a quoted string that defines the file name and path. Input the file path using the form `<drive>:<dir>/<filename>.<drive>` and one or more `<dir>`s are optional. If you do not specify them, the instrument will read the waveform from the default directory (`C:\TekScope\Waveforms`). `<filename>` stands for a filename of up to 128 characters (use of wildcard characters in filenames is not supported). Filename extensions are not required but are highly recommended.

Examples

`RECALL:WAVEFORM "TEK00000.WFM",REF1` recalls the waveform stored in the file named `TEK00000.WFM` from the default directory for waveforms (`C:\TekScope\Waveforms`) to the reference location 1.

REF<x>:HORizontal:POSITION

This command sets or queries the horizontal display position of the reference waveform. The reference waveform is specified by `x`. The value of `x` can range

from 1 through 4. This command is equivalent to selecting Reference Waveforms from the File menu, choosing Reference Setup¼ from the drop-down list, selecting a reference waveform, and then entering the horizontal position value using the multipurpose knob.

Group	Vertical
Syntax	REF<x>:HORIZONTAL:POSITION <NR3> REF<x>:HORIZONTAL:POSITION?
Arguments	<NR3> argument specifies the horizontal position of the specified reference waveform in percentage of the waveform that is displayed to the right of the center vertical graticule. The range of this argument is from 0 through 100.
Examples	REF2:HORIZONTAL:POSITION 0.0 positions the start of the Reference 2 waveform at the center graticule. REF1:HORIZONTAL:POSITION? might return :REF1:HORIZONTAL:POSITION 50, indicating that the Reference 1 waveform is centered on the horizontal graticule.

REF<x>:LABEL? (Query Only)

This query-only command returns a branch query containing the waveform label name and the coordinates at which the label (attached to the displayed waveform of the specified reference) is displayed. The reference waveform is specified by x. The value of x can range from 1 through 4. This command is equivalent to selecting Reference Waveforms from the File menu and then choosing Label from the drop-down list.

Group	Vertical
Syntax	REF<x>:LABEL?
Related Commands	REF<x>:LABEL:NAME , REF<x>:LABEL:XPOS , REF<x>:LABEL:YPOS
Arguments	None.
Examples	REF1:LABEL? might return :REF1:LABEL:NAME "Myname";:XPOS-200;:YPOS 50.

REF<x>:LABel:NAME

This command sets or queries the label of the designated waveform. The reference waveform is specified by x. The value of x can range from 1 through 4. This command is equivalent to selecting Reference Waveforms from the File menu, choosing Label from the drop-down list, selecting the tab associated with the reference for which you want to create a label, and entering a label in the Label box.

Group Vertical

Syntax REF<x>:LABel:NAME <QString>
REF<x>:LABel:NAME?

Related Commands [REF<x>:LABel?](#)

Arguments <QString> is the character string that will be used for the reference waveform label name.

Examples REF4:LABEL:NAME "My Reference" sets the label name of Reference 4 waveform to "My Reference".
REF3:LABEL:NAME? might return :REF3:LABEL:NAME "Signal2", indicating that the label name for Reference 3 waveform is currently set to "Signal2".

REF<x>:LABel:XPOS

This command sets or queries the X screen offset at which the label (attached to the displayed waveform of the specified reference) is displayed, relative to the left edge of the screen. The reference waveform is specified by x. The value of x can range from 1 through 4. This command is equivalent to selecting Reference Waveforms from the File menu, choosing Label from the drop-down list, selecting the tab associated with the reference for which you want to position a label, and entering a value in the X Position box.

Group Vertical

Syntax REF<x>:LABel:XPOS <NR1>
REF<x>:LABel:XPOS?

Related Commands [REF<x>:LABel?](#)

Arguments <NR1> is the location (control in divisions) where the waveform label for the selected reference is displayed, relative to the left edge of the screen. Arguments should be integers ranging from 0 through 10.

Examples REF4:LABEL:XPOS 10 moves the waveform label for the Reference 3 waveform, so that it begins 10 divisions to the right of the left edge of the screen.

REF2:LABEL:XPOS? might return :REF2:LABEL:XPOS 1.5, indicating that the x-axis for the Reference 2 waveform is currently 1.5 divisions to the right of the left edge of the screen.

REF<x>:LABel:YPOS

This command sets or queries the Y screen offset at which the label (attached to the displayed waveform of the specified reference) is displayed, relative to the center of the screen. The reference waveform is specified by x. The value of x can range from 1 through 4. This command is equivalent to selecting Reference Waveforms from the File menu, choosing Label from the drop-down list, selecting the tab associated with the reference for which you want to position a label, and entering a value in the Y Position box.

Group Vertical

Syntax REF<x>:LABel:YPOS <NR1>
REF<x>:LABel:YPOS?

Related Commands [REF<x>:LABel?](#)

Arguments <NR1> is the location (in divisions) where the waveform label for the selected reference is displayed, relative to the waveform handle. Arguments should be integers ranging from 10 to -10.

Examples REF3:LABEL:YPOS -10 moves the waveform label for the Reference 3 waveform 10 divisions below the waveform handle.

REF2:LABEL:YPOS? might return :REF2:LABEL:YPOS 0, indicating that the waveform label for the Reference 2 waveform is currently located at the waveform handle.

REF<x>:VERTical:POSition

This command sets or queries the vertical position of a reference waveform. The reference waveform is specified by x. The value of x can range from 1 through 4.

This command is equivalent to selecting Reference Waveforms from the File menu, choosing Reference Setup from the drop-down list, selecting a reference waveform, and then entering the Position value using the multipurpose knob.

Increasing the position value of a waveform causes the waveform to move up, and decreasing the position value causes the waveform to move down. Position adjusts only the display position of a waveform. The position value determines the vertical graticule coordinate at which signal values are displayed. For example, if the position for Reference 3 is set to 2.0, the signal represented by that reference will be displayed at 2.0 divisions above the center of the screen.

NOTE. *References are static. All position and scale changes are applied in a post-processing mode.*

Group Vertical

Syntax REF<x>:VERTical:POSition <NR3>
REF<x>:VERTical:POSition?

Related Commands [CH<x>:POSition](#), [MATH<x>:VERTical:POSition](#)

Arguments <NR3> is the desired position, control in divisions from the center horizontal graticule. The range is from -5 to 5 divisions.

Examples REF2:VERTICAL:POSITION 1.3E+00 positions the Reference 2 waveform input signal 1.3 divisions above the center horizontal graticule.

REF1:VERTICAL:POSITION? might return :REF1:VERTICAL:POSITION -1.3000E+00, indicating that the current position of Reference 1 waveform is 1.3 divisions below the center horizontal graticule.

REF<x>:VERTical:SCAle

This command sets or queries the vertical scale of a reference waveform. The reference waveform is specified by x. The value of x can range from 1 through 4. This command is equivalent to selecting Reference Waveforms from the File menu, choosing Reference Setup from the drop-down list, selecting a reference waveform, and then entering the Scale value using the multipurpose knob.

Each waveform has a vertical scale parameter. For a signal with constant amplitude, increasing the Scale causes the waveform to be displayed smaller. Decreasing the scale causes the waveform to be displayed larger.

Scale affects all waveforms, but affects reference and math waveforms differently from channel waveforms:

- For reference and math waveforms, this setting controls the display only, graphically scaling these waveforms and having no affect on the acquisition hardware.
- For channel waveforms, this setting controls the vertical size of the acquisition window as well as the display scale. The range and resolution of scale values depends on the probe attached and any other external factors you have specified.

Group Vertical

Syntax REF<x>:VERTICAL:SCALE <NR3>
REF<x>:VERTICAL:SCALE?

Related Commands CH<x>:SCALE, MATH<x>:VERTICAL:SCALE

Arguments <NR3> is the gain in user units per division.

Examples REF4:VERTICAL:SCALE 100E-03 sets the Reference 4 waveform scale to 100 mV per division.

REF4:VERTICAL:SCALE? might return :REF2:VERTICAL:SCALE 1.0000e+00, indicating that the current vertical scale setting for Reference 2 waveform is 1 V per division.

REM (No Query Form)

This command (no query form) embeds a comment within GPIB programs as a means of internally documenting the programs. The instrument ignores these embedded comment lines.

Group Miscellaneous

Syntax REM <QString>

Related Commands [NEWpass](#), [*PUD](#)

Arguments <QString> is a string that can contain a maximum of 80 characters.

Examples REM "This is a comment" is a comment string that the instrument will ignore.

ROSc:SOURce

This command sets or queries the selected source for the time base reference oscillator. The reference oscillator locks to this source. Depending on the command argument that you specify, you can use an external reference or use the internal crystal oscillator as the time base reference.

This command is also useful for synchronizing multiple instruments.

Group Miscellaneous

Syntax ROsc:SOURce {INTERNAL|EXTERNAL|TEKLink}
ROSc:SOURce?

Related Commands [ROSc:STATE?](#)

Arguments INTERNAL specifies the internal 10 MHz crystal oscillator as the time base reference.

EXTERNAL specifies the user-supplied external signal as the time base reference.

TEKLink specifies the TekLink signal as the time base reference.

Examples ROsc:SOURCE INTERNAL specifies the internal 10 MHz crystal oscillator as the time base reference.

ROsc:SOURCE? might return :ROsc:SOURCE INTERNAL, indicating that the 10 MHz crystal oscillator is being used as the time base reference.

ROSc:STATE? (Query Only)

This query-only command returns whether the time base reference oscillator is locked. This command will return either LOCKED or UNLOCKED.

Group Miscellaneous

Syntax `ROSC:STATE?`

Related Commands [ROSc:TRACking](#)

Examples `ROSC:STATE?` might return `:ROSC:STATE LOCKED`, indicating that the time base reference is locked.

ROSc:TRACking

DSA70000 and DPO70000 Series only: This command sets or queries the selected source for the time base reference oscillator. The reference oscillator locks to this source. Depending on the command argument that you specify, you can use an external reference signal that is fed through or bypasses the phase-locked loop.

This command is also useful for synchronizing multiple instruments.

Group Miscellaneous

Syntax `ROSc:TRACking {STABle|FAST}`
`ROSC:TRACking?`

Arguments `STABle` tracking mode specifies that the external reference signal is fed through a phase-locked loop that removes jitter from the external reference.

`FAST` tracking mode specifies that the external reference signal bypasses the phase-locked loop.

Examples `ROSC:TRACKING STABLE` feeds the external reference signal through the instrument phase-locked loop.

`ROSC:TRACKING?` might return `:ROSC:TRACKING FAST`, indicating that the external reference signal bypasses the phase-locked loop.

*RST (No Query Form)

This command (no query form) resets the instrument to the factory default settings. The *RST command does not alter the following:

- The state of the IEEE Std 488.1-1987 interface
- The selected IEEE Std 488.1-1987 address of the instrument
- Calibration data that affect device specifications
- The Output Queue
- The Service Request Enable Register setting
- The Power-on status clear flag setting
- Alias definitions
- Stored settings
- The *PUD? Response
- Any of the values associated with the DATA command.

This command is equivalent to pressing the **DEFAULT SETUP** button on the front panel.

Group Status and Error

Syntax *RST

Related Commands [FACTory](#), [RECALL:SETUp](#), [SAVE:SETUp](#)

Arguments None

Examples *RST resets the instrument settings to factory defaults.

*SAV (No Query Form)

This command (no query form) stores the state of the instrument to a specified memory location. You can later use the *RCL command to restore the instrument to this saved state.

This command is equivalent to selecting Save As from the File menu, and then pressing the Setup button.

Group	Save and Recall
Syntax	*SAV <NR1>
Related Commands	*RCL , RECALL:SETUp , SAVe:SETUp
Arguments	<NR1> specifies a location in which to save the state of the instrument. Location values range from 1 through 10. Using an out-of-range location value causes an execution error. Any settings that have been stored previously at this location will be overwritten.
Examples	*SAV 2 saves the current instrument state in memory location 2.

SAVe:MASK (No Query Form)

This command (no query form) saves the user mask to a mass storage file.

Group	Mask
Syntax	SAVe:MASK <QString>
Related Commands	RECALL:MASK
Arguments	<QString> is the location to where the mask is stored. <file path> is a quoted string that defines the file name and path. Input the file path using the form <drive>/<dir>/<filename>. <drive> and one or more <dir>s are optional. The file is stored in ASCII format and is user-editable.
Examples	SAVe:MASK "TEST" saves the user mask to the file TEST in the default directory and on the default drive.

SAVe:SETUp (No Query Form)

This command (no query form) stores the state of the instrument to a specified memory location. You can later use the *RCL command to restore the instrument to this saved state. This is equivalent to selecting Save As from the File menu, and then pressing the Setup button.

Group	Save and Recall
Syntax	SAVE:SETUP {<file path> <NR1>}
Related Commands	*RCL , RECALL:SETUP , *SAV
Arguments	<p><file path> is the target location for storing the setup file. <file path> is a quoted string that defines the file name and path. Input the file path using the form <drive>:<dir>/<filename>. <drive> and one or more <dir>s are optional. If you do not specify them, the instrument will store the file in the default directory (C:\TekScope\setups). <filename> stands for a filename of up to 128 characters. (Use of wildcard characters in filenames is not supported.) Filename extensions are not required but are highly recommended. For setups, use the extension ".SET".</p> <p><NR1> specifies a location for saving the current front-panel setup. The front-panel setup value ranges from 1 to 10. Using an out-of-range value causes an execution error. Any settings that have been stored previously at this location will be overwritten.</p>
Examples	<p>SAVE:SETUP 5 saves the current instrument setup in memory location 5.</p> <p>SAVE:SETUP "TEK00000.SET" saves the current instrument setup in the file TEK00000.SET in the default directory for setups (C:\TekScope\setups).</p>

SAVE:WAVEform (No Query Form)

This command (no query form) saves a waveform to one of four reference memory locations or a file. This command is equivalent to selecting Reference Waveforms from the File menu and choosing Save Wfm from the drop-down list.

Group	Save and Recall
Syntax	SAVE:WAVEform <wfm>,{<file path> REF<x>}
Related Commands	DELEte:WAVEform , RECALL:WAVEform
Arguments	<p><wfm> is the waveform that will be saved. Valid waveforms include CH<x>, MATH<y>, and REF<x>.</p> <p>REF<x> specifies the location in internal reference memory where the waveform is stored.</p>

<file path> is the location where the waveform is stored. <file path> is a quoted string that defines the file name and path. Input the file path using the form <drive>/<dir>/<filename>. <drive> and one or more <dir>s are optional. If you do not specify them, the instrument will read the waveform from the default directory. <filename> stands for a filename of up to 125 characters, followed by a period (". ") and the three-character extension. Internal format waveforms use the .wfm extension, spreadsheet format files use the .csv extension and MathCad format files use the .dat extension. The instrument will generate an error if you use any other extension for saving a waveform.

Examples SAVE:WAVEFORM MATH2 , REF2 saves the Math2 waveform in reference memory location2.

SAVE:WAVEFORM MATH1, "TEK0000.WFM" saves the Math1 waveform to the file TEK00000.WFM in the default directory and on the default drive.

SAVe:WAVEform:FILEFormat

This command specifies or returns the file format for saved waveforms. Waveform header and timing information is included in the resulting file of non-internal formats. The instrument saves DPO waveforms as a 1000 x 502 matrix, with the first row corresponding to the most recently acquired data. The values specified by [DATA:START](#) and [DATA:STOP](#) determine the range of waveform data to output. In the event that [DATA:STOP](#) value is greater than the current record length, the current record length determines the last output value.

This command is equivalent to selecting Save As from the File menu, clicking the Waveform button, and choosing the desired waveform file format from the Save as type drop-down list.

Group Save and Recall

Syntax SAVE:WAVEform:FILEFormat
{INTERNAL | MATHCad | MATLab | SPREADSHEETCSV |
SPREADSHEETtxt | TIMEStamp}
SAVE:WAVEform:FILEFormat?

Related Commands [CURVe](#), [DATA](#), [DATA:START](#), [DATA:STOP](#), [SAVe:WAVEform](#), [WFMinpre:NR_Pt](#), [WFMOutpre:NR_Pt?](#)

Arguments INTERNAL specifies that waveforms are saved in an internal format, using a .wfm filename extension. These files can be recalled as reference waveforms. When this argument is specified, the settings specified via the [DATA:START](#) and [DATA:STOP](#) commands have no meaning as the entire waveform is saved.

MATHCad specifies that waveforms are saved in MathCad format, using a .dat filename extension. When saving in this format, waveform values are delimited with new lines. MathCad format enables easy import of waveform data into MathCad or MATLAB. For FastAcq waveforms, data is imported as a matrix. For these formats, waveform header and timing information is saved in a separate header file. MathCad format header files use a _hdr.dat extension.

MATLab specifies that waveforms are saved in Matlab format, using a .dat filename extension. When saving in this format, waveform values are delimited with new lines. MATLAB format enables easy import of waveform data into MathCad or MATLAB. For FastAcq waveforms, data is imported as a matrix. For these formats, waveform header and timing information is saved in a separate header file. MATLAB format header files use a _hdr.dat extension.

SPREADSHEETCSV specifies that waveform data is saved in a format that contains comma delimited values. These waveform data files are named using the .csv filename extension. Saving waveforms in CSV format enables spreadsheet programs to import the data.

SPREADSHEETtxt specifies that waveform data is saved in a format that contains tab delimited values. These waveform data files are named using the .txt filename extension. Saving waveforms in this format enables spreadsheet programs to import the data.

TIMESamp specifies that timestamp data is saved in a format that contains comma delimited values. These data files are named using the .txt filename extension. Saving waveforms in this format enables spreadsheet programs to import the data.

Examples `SAVE:WAVEFORM:FILEFORMAT INTERNAL` specifies that the internal file format is the format used for saving waveforms.

`SAVE:WAVEFORM:FILEFORMAT?` might return `:SAVE:WAVEFORM:FILEFORMAT INTERNAL`, indicating that waveforms are saved using the internal format.

*SDS (No Query Form)

This command (no query form) changes the specified setup to reference the factory setup instead of the specific user setup slot. The content of the setup slot is unchanged, but the data will no longer be accessible to you.

This command is equivalent to selecting Delete from the File menu, and then choosing the specified setup.

Group Save and Recall

Syntax `*SDS <NR1>`

Related Commands [DELEte:SETUp](#)

Arguments <NR1> specifies a user setup location to delete. Setup storage location values range from 1 through 10; using an out-of-range value causes an error.

Examples *SDS 2 changes setup slot 2 to reference the factory setup.

SEARCH:SEARCH<x>

This command converts the specified search marks to the user marks. <x> can be 1 to 8.

Group Search and Mark

Syntax SEARCH:SEARCH<x>
SEARCH:SEARCH<x>?

Examples SEARCH:SEARCH1 TOUSER converts the Search 1 mark to the user marks.

SEARCH:SEARCH1? might return :SEARCH:SEARCH1 TOUSER, indicating that all the search1 marks are converted to user marks.

SEARCH:SEARCH<x>:COpy (No Query Form)

This command (no query form) copies the search criteria to the trigger, the trigger criteria to a search, or copy search to search. <x> is the search number.

Group Search and Mark

Syntax SEARCH:SEARCH<x>:COpy
{SEARCHtotrigger|TRIGgertosearch|FROMSearch<x>}

Arguments SEARCHtotrigger copies the search criteria to the trigger.

TRIGgertosearch copies the trigger criteria to the search.

FROMSearch<x> copies the search criteria to the search, where <x> is 1 to 8.

Examples SEARCH:SEARCH1:COpy TRIGGERTOSEARCH copies the trigger criteria to the search 1 criteria.

SEARCH:SEARCH<x>:STATE

This command sets the search state to on or off. <x> is the search number, which can be 1 to 8. The query form returns the search state.

Group Search and Mark

Syntax SEARCH:SEARCH<x>:STATE {<NR1>|OFF|ON}
SEARCH:SEARCH<x>:STATE?

Arguments OFF or <NR1> = 0 sets the search state to off.
ON or <NR1> ≠ 0 sets the search state to on.

Examples SEARCH:SEARCH2:STATE ON sets the search state for search 2 on.
SEARCH:SEARCH1:STATE? might return :SEARCH:SEARCH1:STATE 0, indicating that the search 1 is off.

SEARCH:SEARCH<x>:TOTAL? (Query Only)

This query-only command returns the total number of matches for the search. The total number of matches may be more than the number of marks placed. <x> is the search number.

Group Search and Mark

Syntax SEARCH:SEARCH<x>:TOTAL?

Examples SEARCH:SEARCH1:TOTAL? might return :SEARCH:SEARCH1:TOTAL 7, indicating that there are 7 matches for search 1.

SEARCH:SEARCH<x>:TRIGger:A:DDRMemory:AUTOBitrate

This command sets or queries the auto bit rate value for a DDR Memory analysis search to determine where to place a mark. <x> is the search number.

Group Search and Mark

Syntax	SEARCH:SEARCH<x>:TRIGger:A:DDRMemory:AUTOBitrate {AUTO CUSTom} SEARCH:SEARCH<x>:TRIGger:A:DDRMemory:AUTOBitrate?
Arguments	AUTO sets the auto bit rate to auto. When auto is selected, the instrument determines the bit rate from the applied signal. CUSTom sets the auto bit rate to custom. When custom is selected, you set the bit rate value.
Examples	SEARCH:SEARCH1:TRIGGER:A:DDRMEMORY:AUTOBITRATE CUSTOM sets the auto bit rate to custom and you can set the desired bit rate value. SEARCH:SEARCH1:TRIGGER:A:DDRMEMORY:AUTOBITRATE? might return :SEARCH:SEARCH1:TRIGGER:A:DDRMEMORY:AUTOBITRATE AUTO, indicating that the auto bit rate is set to auto.

SEARCH:SEARCH<x>:TRIGger:A:DDRMemory:AUTOReflevel

This command sets or queries the reference levels for a DDR Memory analysis search to determine where to place a mark. <x> is the search number.

Group	Search and Mark
Syntax	SEARCH:SEARCH<x>:TRIGger:A:DDRMemory: AUTOReflevel{AUTO CUSTom} SEARCH:SEARCH<x>:TRIGger:A:DDRMemory:AUTOReflevel?
Arguments	AUTO sets the reference levels to auto. When auto is selected, the instrument determines the reference level from the applied signal. CUSTom sets the reference levels to custom. When custom is selected, you set the reference level
Examples	SEARCH:SEARCH1:TRIGGER:A:DDRMEMORY:AUTOREFLEVEL CUSTOM sets the DDR reference levels to custom and you can set the desired reference level. SEARCH:SEARCH1:TRIGGER:A:DDRMEMORY:AUTOREFLEVEL? might return :SEARCH:SEARCH1:TRIGGER:A:DDRMEMORY:AUTOREFLEVEL AUTO, indicating that the reference levels are set to auto.

SEARCH:SEARCH<x>:TRIGger:A:DDRMemory:BITRate

This command sets or queries the data rate value for a DDR Memory analysis search to determine where to place a mark. You can set the bit rate only when AUTOBITRATE is Custom. <x> is the search number.

Group Search and Mark

Syntax SEARCH:SEARCH<x>:TRIGger:A:DDRMemory:BITRate <NR3>
SEARCH:SEARCH<x>:TRIGger:A:DDRMemory:BITRate?

Related Commands SEARCH:SEARCH<x>:TRIGger:A:DDRMemory:AUTOBitRate

Arguments <NR3> specifies the DDR data rate in bits per second.

Examples SEARCH:SEARCH1:TRIGGER:A:DDRMEMORY:BITRATE 8.0 +36 sets the DDR data rate to 8.0E+30 Mb/s.

SEARCH:SEARCH1:TRIGGER:A:DDRMEMORY:BITRATE? might return
:SEARCH:SEARCH1:TRIGGER:A:DDRMEMORY:BITRATE 9.9000E+36,
indicating that the DDR data rate is set to 9.9 E+30 Mb/s.

SEARCH:SEARCH<x>:TRIGger:A:DDRMemory:DATASource

This command sets or queries the data source for a DDR Memory analysis search to determine where to place a mark. <x> is the search number.

Group Search and Mark

Syntax SEARCH:SEARCH<x>:TRIGger:A:DDRMemory:DATASource
{CH1|CH2|CH3|CH4|MATH1|MATH2|MATH3|MATH4|REF1|REF2|REF3|REF4}
SEARCH:SEARCH<x>:TRIGger:A:DDRMemory:DATASource?

Arguments CH<x> specifies one input channel as the search source, where <x> is the channel number.

MATH<x> specifies the math waveform as the search source, where <x> = 1, 2, 3 or 4.

REF<x> specifies the reference waveform as the search source, where <x> = 1, 2, 3 or 4.

Examples SEARCH:SEARCH1:TRIGGER:A:DDRMEMORY:DATASOURCE CH2 sets the DDR data source to CH2.

SEARCH:SEARCH1:TRIGGER:A:DDRMEMORY:DATASOURCE? might return :SEARCH:SEARCH1:TRIGGER:A:DDRMEMORY:DATASOURCE CH1, indicating that the DDR data source is set to CH1.

SEARCH:SEARCH<x>:TRIGger:A:DDRMemory:REFLevel:DATA:HIGh

This command sets or queries the value of the data HIGH reference level for a DDR Memory analysis search to determine where to place a mark. You can set the value only when AUTOREFLEVEL is Custom. <x> is the search number.

Group Search and Mark

Syntax SEARCH:SEARCH<x>:TRIGger:A:DDRMemory:REFLevel:DATA:HIGh <NRF>
SEARCH:SEARCH<x>:TRIGger:A:DDRMemory:REFLevel:DATA:HIGh?

Related Commands SEARCH:SEARCH<x>:TRIGger:A:DDRMemory:AUTOREfLevel

Arguments <NRF> specifies the value of the data HIGH reference level in volts.

Examples SEARCH:SEARCH1:TRIGGER:A:DDRMEMORY:REFLEVEL:DATA:HIGh 1 sets the data HIGH reference level to 1.0 volt.

SEARCH:SEARCH1:TRIGGER:A:DDRMEMORY:REFLEVEL:DATA:HIGh? might return :SEARCH:SEARCH1:TRIGGER:A:DDRMEMORY:REFLEVEL:DATA:HIGh 0.0000, indicating that the data HIGH reference level is set to 0 volt.

SEARCH:SEARCH<x>:TRIGger:A:DDRMemory:REFLevel:DATA:LOW

This command sets or queries the value of the data LOW reference level for a DDR Memory analysis search to determine where to place a mark. You can set the value only when AUTOREFLEVEL is Custom. <x> is the search number.

Group Search and Mark

Syntax SEARCH:SEARCH<x>:TRIGger:A:DDRMemory:REFLevel:DATA:LOW <NRF>
SEARCH:SEARCH<x>:TRIGger:A:DDRMemory:REFLevel:DATA:LOW?

Related Commands	SEARCH:SEARCH<x>:TRIGger:A:DDRMemory:AUTORefLevel
Arguments	<NRF> specifies the value of the data LOW reference level in volts.
Examples	SEARCH:SEARCH1:TRIGGER:A:DDRMEMORY:REFLEVEL:DATA:LOW 0.2 sets the data LOW reference level to 0.2 volt. SEARCH:SEARCH1:TRIGGER:A:DDRMEMORY:REFLEVEL:DATA:LOW? might return :SEARCH:SEARCH1:TRIGGER:A:DDRMEMORY:REFLEVEL:DATA:LOW 200.0000E-3, indicating that the data LOW reference level is set to 0.2 volt.

SEARCH:SEARCH<x>:TRIGger:A:DDRMemory:REFLevel:DATA:MID

This command sets or queries the value of the data MID reference level for a DDR Memory analysis search to determine where to place a mark. You can set the value only when AUTOREFLEVEL is Custom. <x> is the search number.

Group	Search and Mark
Syntax	SEARCH:SEARCH<x>:TRIGger:A:DDRMemory:REFLevel:DATA:MID <NRF> SEARCH:SEARCH<x>:TRIGger:A:DDRMemory:REFLevel:DATA:MID?
Related Commands	SEARCH:SEARCH<x>:TRIGger:A:DDRMemory:AUTORefLevel
Arguments	<NRF> specifies the value of the data MID reference level in volts.
Examples	SEARCH:SEARCH1:TRIGGER:A:DDRMEMORY:REFLEVEL:DATA:MID 1.5 sets the data MID reference level to 1.5 volts. SEARCH:SEARCH1:TRIGGER:A:DDRMEMORY:REFLEVEL:DATA:MID? might return :SEARCH:SEARCH1:TRIGGER:A:DDRMEMORY:REFLEVEL:DATA:MID 1.0000, indicating that the data MID reference level is set to 1.0 volt.

SEARCH:SEARCH<x>:TRIGger:A:DDRMemory:REFLevel:STROBE:HIGh

This command sets or queries the value of the strobe HIGH reference level for a DDR Memory analysis search to determine where to place a mark. You can set the value only when AUTOREFLEVEL is Custom. <x> is the search number.

Group	Search and Mark
--------------	-----------------

Syntax SEARCH:SEARCH<x>:TRIGger:A:DDRMemory:REFLevel:STROBE:HIGH
<NRF>
SEARCH:SEARCH<x>:TRIGger:A:DDRMemory:REFLevel:STROBE:HIGH?

Related Commands SEARCH:SEARCH<x>:TRIGger:A:DDRMemory:AUTORefLevel

Arguments <NRF> specifies the value of the strobe HIGH reference level in volts.

Examples SEARCH:SEARCH1:TRIGGER:A:DDRMEMORY:REFLEVEL:STROBE:HIGH 5.0
sets the strobe HIGH reference level to 5.0 volts.

SEARCH:SEARCH1:TRIGGER:A:DDRMEMORY:REFLEVEL:STROBE:HIGH?
might return
:SEARCH:SEARCH1:TRIGGER:A:DDRMEMORY:REFLEVEL:STROBE:HIGH
0.000, indicating that the strobe HIGH reference level is set to 0 volt.

SEARCH:SEARCH<x>:TRIGger:A:DDRMemory:REFLevel:STROBE:LOW

This command sets or queries the value of the strobe LOW reference level for a DDR Memory analysis search to determine where to place a mark. You can set the value only when AUTOREFLEVEL is Custom. <x> is the search number.

Group Search and Mark

Syntax SEARCH:SEARCH<x>:TRIGger:A:DDRMemory:REFLevel:STROBE:LOW
<NRF>
SEARCH:SEARCH<x>:TRIGger:A:DDRMemory:REFLevel:STROBE:LOW?

Related Commands SEARCH:SEARCH<x>:TRIGger:A:DDRMemory:AUTORefLevel

Arguments <NRF> specifies the value of the strobe LOW reference level in volts.

Examples SEARCH:SEARCH1:TRIGGER:A:DDRMEMORY:REFLEVEL:STROBE:LOW 1 sets
the strobe LOW reference level to 1.0 volt.

SEARCH:SEARCH1:TRIGGER:A:DDRMEMORY:REFLEVEL:STROBE:LOW? might
return :SEARCH:SEARCH1:TRIGGER:A:DDRMEMORY:REFLEVEL:STROBE:LOW
0.0000, indicating that the strobe LOW reference level is set to 0 volt.

SEARCH:SEARCH<x>:TRIGger:A:DDRMemory:REFLevel:STROBE:MID

This command sets or queries the value of the strobe MID reference level for a DDR Memory analysis search to determine where to place a mark. You can set the value only when AUTOREFLEVEL is Custom. <x> is the search number.

Group	Search and Mark
Syntax	SEARCH:SEARCH<x>:TRIGger:A:DDRMemory:REFLevel:STROBE:MID <NRF> SEARCH:SEARCH<x>:TRIGger:A:DDRMemory:REFLevel:STROBE:MID?
Related Commands	SEARCH:SEARCH<x>:TRIGger:A:DDRMemory:AUTORefLevel
Arguments	<NRF> specifies the value of the strobe MID reference level in volts.
Examples	SEARCH:SEARCH1:TRIGGER:A:DDRMEMORY:REFLEVEL:STROBE:MID 3 sets the strobe MID reference level to 3.0 volts. SEARCH:SEARCH1:TRIGGER:A:DDRMEMORY:REFLEVEL:STROBE:MID? might return :SEARCH:SEARCH1:TRIGGER:A:DDRMEMORY:REFLEVEL:STROBE:MID 0.0000, indicating that the strobe MID reference level is set to 0 volt.

SEARCH:SEARCH<x>:TRIGger:A:DDRMemory:STANdard

This command sets or queries the DDR standard for a DDR Memory analysis search to determine where to place a mark. <x> is the search number.

Group	Search and Mark
Syntax	SEARCH:SEARCH<x>:TRIGger:A:DDRMemory:STANdard {DDR2 DDR3 GDDR3} SEARCH:SEARCH<x>:TRIGger:A:DDRMemory:STANdard?
Arguments	<DDR2> sets the DDR standard type to DDR2. <DDR3> sets the DDR standard type to DDR3. <GDDR3> sets the DDR standard type to GDDR3.
Examples	SEARCH:SEARCH1:TRIGGER:A:DDRMEMORY:STANDARD DDR2 sets the DDR standard to DDR2.

SEARCH:SEARCH1:TRIGGER:A:DDRMEMORY:STANDARD? might return
:SEARCH:SEARCH1:TRIGGER:A:DDRMEMORY:STANDARD DDR3, indicating
that the DDR standard is set to DDR3.

SEARCH:SEARCH<x>:TRIGger:A:DDRMemory:STROBEsource

This command sets or queries the strobe source for a DDR Memory analysis search to determine where to place a mark. <x> is the search number.

Group	Search and Mark
Syntax	SEARCH:SEARCH<x>:TRIGger:A:DDRMemory:STROBEsource {CH1 CH2 CH3 CH4 MATH1 MATH2 MATH3 MATH4 REF1 REF2 REF3 REF4} SEARCH:SEARCH<x>:TRIGger:A:DDRMemory:STROBEsource?
Arguments	CH<x> specifies the input channel as the search source, where <x> is the channel number. MATH<x> specifies the math waveform as the search source, where <x> = 1, 2, 3 or 4. REF<x> specifies the reference waveform as the search source, where <x> = 1, 2, 3 or 4.
Examples	SEARCH:SEARCH1:TRIGGER:A:DDRMEMORY:STROBESOURCE REF2 sets the DDR strobe source to REF2. SEARCH:SEARCH1:TRIGGER:A:DDRMEMORY:STROBESOURCE? might return :SEARCH:SEARCH1:TRIGGER:A:DDRMEMORY:STROBESOURCE CH1, indicating that the DDR strobe source is set to CH1.

SEARCH:SEARCH<x>:TRIGger:A:EDGE:SLOpe:CH<x>

This command sets or queries the slope for an edge trigger search to determine where to place a mark. <x> is the search number or the channel number.

Group	Search and Mark
Syntax	SEARCH:SEARCH<x>:TRIGger:A:EDGE:SLOpe:CH<x> {RISe FALL EITHer} SEARCH:SEARCH<x>:TRIGger:A:EDGE:SLOpe:CH<x>?

Arguments	<p>RISe specifies a rising edge.</p> <p>FALL specifies a falling edge.</p> <p>EITHer specifies either rising or falling edge.</p>
Examples	<p>SEARCH:SEARCH1:TRIGGER:A:EDGE:SLOPE:CH2 RISE sets the Channel 2 slope for search 1 to rise.</p> <p>SEARCH:SEARCH1:TRIGGER:A:EDGE:SLOPE:CH1? might return :SEARCH:SEARCH1:TRIGGER:A:EDGE:SLOPE:CH1 RISE, indicating that the slope for the Channel 1 trigger for search 1 is rise.</p>

SEARCH:SEARCH<x>:TRIGger:A:EDGE:SLOpe:MATH<x>

This command sets or queries the slope for an edge trigger search to determine where to place a mark. <x> is the search number or the math waveform number.

Group	Search and Mark
Syntax	<pre>SEARCH:SEARCH<x>:TRIGger:A:EDGE:SLOpe:MATH<x> {RISe FALL EITHer} SEARCH:SEARCH<x>:TRIGger:A:EDGE:SLOpe:MATH<x>?</pre>
Arguments	<p>RISe specifies a rising edge.</p> <p>FALL specifies a falling edge.</p> <p>EITHER specifies either rising or falling edge.</p>
Examples	<p>SEARCH:SEARCH1:TRIGGER:A:EDGE:SLOPE:MATH2 RISE sets the Math 2 waveform slope for search 1 to rise.</p> <p>SEARCH:SEARCH1:TRIGGER:A:EDGE:SLOPE:MATH1? might return :SEARCH:SEARCH1:TRIGGER:A:EDGE:SLOPE:MATH1 RISE, indicating that the slope for the Math 1 waveform trigger for search 1 is rise.</p>

SEARCH:SEARCH<x>:TRIGger:A:EDGE:SLOpe:REF<x>

This command sets or queries the slope for an edge trigger search to determine where to place a mark. <x> is the search number or the reference waveform number.

Group	Search and Mark
--------------	-----------------

Syntax	SEARCH:SEARCH<x>:TRIGger:A:EDGE:SLOpe:REF<x> {RISe FALL EITHer} SEARCH:SEARCH<x>:TRIGger:A:EDGE:SLOpe:REF<x>?
Arguments	RISe specifies a rising edge. FALL specifies a falling edge. EITHER specifies either rising or falling edge.
Examples	SEARCH:SEARCH1:TRIGGER:A:EDGE:SLOPE:REF2 RISE sets the Reference 2 waveform slope for search 1 to rise. SEARCH:SEARCH1:TRIGGER:A:EDGE:SLOPE:REF1? might return :SEARCH:SEARCH1:TRIGGER:A:EDGE:SLOPE:REF1 FALL, indicating that the slope for the Reference 1 waveform trigger for search 1 is the falling edge.

SEARCH:SEARCH<x>:TRIGger:A:EDGE:SOUrce

This command sets or queries the source waveform for an edge trigger search to determine where to place a mark. <x> is the search number.

Group	Search and Mark
Syntax	SEARCH:SEARCH<x>:TRIGger:A:EDGE:SOUrce {CH1 CH2 CH3 CH4 MATH1 MATH2 MATH3 MATH4 REF1 REF2 REF3 REF4} SEARCH:SEARCH<x>:TRIGger:A:EDGE:SOUrce?
Arguments	CH<x> specifies one input channel as the edge source, where <x> is the channel number. MATH<x> specifies the math waveform as the search source, where <x> = 1, 2, 3 or 4. REF<x> specifies the reference waveform as the search source, where <x> = 1, 2, 3 or 4.
Examples	SEARCH:SEARCH1:TRIGGER:A:EDGE:SOURCE CH2 sets the source waveform for the A trigger to Channel 2. SEARCH:SEARCH1:TRIGGER:A:EDGE:SOURCE? might return :SEARCH:SEARCH1:TRIGGER:A:EDGE:SOURCE CH2, indicating that the Channel 2 edge trigger is the source for search 1.

SEARCH:SEARCH<x>:TRIGger:A:GLItch:POLarity:CH<x>

This command sets or queries the polarity for a glitch trigger search to determine where to place a mark. <x> is the search number or channel number.

Group	Search and Mark
Syntax	SEARCH:SEARCH<x>:TRIGger:A:GLItch:POLarity:CH<x> {EITHer NEGAtive POSITIVe} SEARCH:SEARCH<x>:TRIGger:A:GLItch:POLarity:CH<x>?
Arguments	EITHer specifies positive or negative polarity. NEGAtive specifies a negative polarity. POSITIVe specifies a positive glitch polarity.
Examples	SSEARCH:SEARCH1:TRIGGER:A:GLITCH:POLARITY:CH2 NEGATIVE specifies that the Channel 2 glitch polarity must be negative for search 1. SEARCH:SEARCH1:TRIGGER:A:GLITCH:POLARITY:CH1? might return :SEARCH:SEARCH1:TRIGGER:A:GLITCH:POLARITY:CH1 NEGATIVE, indicating that the Channel 1 glitch polarity for search 1 is negative.

SEARCH:SEARCH<x>:TRIGger:A:GLItch:POLarity:MATH<x>

This command sets or queries the polarity for a glitch trigger search to determine where to place a mark. <x> is the search number or math waveform number.

Group	Search and Mark
Syntax	SEARCH:SEARCH<x>:TRIGger:A:GLItch:POLarity:MATH<x> {EITHer NEGAtive POSITIVe} SEARCH:SEARCH<x>:TRIGger:A:GLItch:POLarity:MATH<x>?
Arguments	EITHer specifies positive or negative polarity. NEGAtive specifies a negative polarity. POSITIVe specifies a positive glitch polarity.
Examples	SEARCH:SEARCH1:TRIGGER:A:GLITCH:POLARITY:MATH2 NEGATIVE specifies that the Math 2 waveform glitch polarity must be negative for search 1.

SEARCH:SEARCH1:TRIGGER:A:GLITCH:POLARITY:MATH1? might return
:SEARCH:SEARCH1:TRIGGER:A:GLITCH:POLARITY:MATH1 POSITIVE,
indicating that the Math 1 waveform glitch polarity for search 1 is positive.

SEARCH:SEARCH<x>:TRIGger:A:GLItch:POLarity:REF<x>

This command sets or queries the polarity for a glitch trigger search to determine where to place a mark. <x> is the search number or reference waveform number.

Group Search and Mark

Syntax SEARCH:SEARCH<x>:TRIGger:A:GLItch:POLarity:REF<x>
{EITHer|NEGAtive|POSITIVe}
SEARCH:SEARCH<x>:TRIGger:A:GLItch:POLarity:REF<x>?

Arguments EITHer specifies positive or negative polarity.
NEGAtive specifies a negative polarity.
POSITIVe specifies a positive glitch polarity.

Examples SEARCH:SEARCH1:TRIGGER:A:GLITCH:POLARITY:REF2 NEGATIVE
specifies that the Reference 2 waveform glitch polarity must be negative for
search 1.

SEARCH:SEARCH1:TRIGGER:A:GLITCH:POLARITY:REF1? might return
:SEARCH:SEARCH1:TRIGGER:A:GLITCH:POLARITY:REF1 POSITIVE,
indicating that the Reference 1 waveform glitch polarity for search 1 is positive.

SEARCH:SEARCH<x>:TRIGger:A:GLItch:TRIGIF

This command sets or queries the accept or reject state for a glitch trigger search to determine where to place a mark. <x> is the search number.

Group Search and Mark

Syntax SEARCH:SEARCH<x>:TRIGger:A:GLItch:TRIGIF {ACcept|REJect}
SEARCH:SEARCH<x>:TRIGger:A:GLItch:TRIGIF?

Arguments ACcept specifies that a glitch occurs.
REJect specifies that a glitch does not occur.

Examples SEARCH:SEARCH1:TRIGGER:A:GLITCH:TRIGIF ACCEPT specifies to place a mark if the A trigger glitch occurs.

SEARCH:SEARCH1:TRIGGER:A:GLITCH:TRIGIF? might return :SEARCH:SEARCH1:TRIGGER:A:GLITCH:TRIGIF ACCEPT, indicating that a mark will be placed if a glitch occurs.

SEARCH:SEARCH<x>:TRIGger:A:GLItch:WIDth

This command sets or queries the glitch width for a glitch trigger search to determine where to place a mark. <x> is the search number.

Group Search and Mark

Syntax SEARCH:SEARCH<x>:TRIGger:A:GLItch:WIDth <NR3>
SEARCH:SEARCH<x>:TRIGger:A:GLItch:WIDth?

Arguments <NR3> specifies the glitch width in seconds.

Examples SEARCH:SEARCH1:TRIGGER:A:GLITCH:WIDTH 0.000000002 sets the search1 glitch width to 2.0 ns.

SEARCH:SEARCH1:TRIGGER:A:GLITCH:WIDTH? might return :SEARCH:SEARCH1:TRIGGER:A:GLITCH:WIDTH 1.50E-6, indicating that the search 1 glitch width is set to 1.50 μ s.

SEARCH:SEARCH<x>:TRIGger:A:LEVel:CH<x>

This command sets or queries the level for an edge trigger search to determine where to place a mark. <x> is the search number or the channel number. Each channel can have an independent level.

Group Search and Mark

Syntax SEARCH:SEARCH<x>:TRIGger:A:LEVel:CH<x> {<NR3>|ECL|TTL}
SEARCH:SEARCH<x>:TRIGger:A:LEVel:CH<x>?

Arguments <NR3> specifies the trigger level, in volts.

ECL specifies a -1.3 V trigger level.

TTL specifies a 1.4 V trigger level.

Examples SEARCH:SEARCH1:TRIGGER:A:LEVEL:CH2 1.0 sets the Channel 1 A trigger level for search 1 to 1.0 Volts.

SEARCH:SEARCH1:TRIGGER:A:LEVEL:CH1? might return
:SEARCH:SEARCH1:TRIGGER:A:LEVEL:CH1 200.0000E-3, indicating the Channel 1 trigger level for search 1 is 200 mV.

SEARCH:SEARCH<x>:TRIGger:A:LEVel:MATH<x>

This command sets or queries the math waveform level for an edge trigger search to determine where to place a mark. <x> is the search number or math waveform number.

Group Search and Mark

Syntax SEARCH:SEARCH<x>:TRIGger:A:LEVel:MATH<x> {<NR3>|ECL|TTL}
SEARCH:SEARCH<x>:TRIGger:A:LEVel:MATH<x>?

Arguments <NR3> specifies the trigger level in volts.

ECL specifies a -1.3 V trigger level.

TTL specifies a 1.4 V trigger level.

Examples SEARCH:SEARCH1:TRIGGER:A:LEVEL:MATH2 0.20 sets the Math 2 waveform trigger level for search 1 to 200 mV.

SEARCH:SEARCH1:TRIGGER:A:LEVEL:MATH1? might return
:SEARCH:SEARCH1:TRIGGER:A:LEVEL:MATH1 100.0000E-3, indicating that the Math 2 waveform trigger level for search 1 is set to 100 mV.

SEARCH:SEARCH<x>:TRIGger:A:LEVel:REF<x>

This command sets or queries the specified reference waveform level for a trigger search to determine where to place a mark. SEARCH<x> is the search number and REF<x> is the reference channel number.

Group Search and Mark

Syntax SEARCH:SEARCH<x>:TRIGger:A:LEVel:REF<x> {<NR3>|ECL|TTL}
SEARCH:SEARCH<x>:TRIGger:A:LEVel:REF<x>?

Arguments <NR3> specifies the trigger level in volts.
 ECL specifies a -1.3 V trigger level.
 TTL specifies a 1.4 V trigger level.

Examples SEARCH:SEARCH1:TRIGGER:A:LEVEL:REF2 0.20 sets the Reference 2 waveform trigger level for search 1 to 200 mV.
 SEARCH:SEARCH1:TRIGGER:A:LEVEL:REF1? might return
 :SEARCH:SEARCH1:TRIGGER:A:LEVEL:REF1 200.0000E-3, indicating that the Reference 1 waveform trigger level for search 1 is set to 200 mV.

SEARCH:SEARCH<x>:TRIGger:A:LOGIc:FUNCTion

This command sets or queries the logic operator for a pattern or state trigger search to determine where to place a mark. <x> is the search number.

Group Search and Mark

Syntax SEARCH:SEARCH<x>:TRIGger:A:LOGIc:FUNCTion {AND|NAND|NOR|OR}
 SEARCH:SEARCH<x>:TRIGger:A:LOGIc:FUNCTion?

Arguments AND places a mark if all conditions are true.
 NAND places a mark if any of the conditions are false.
 NOR places a mark if all conditions are false.
 OR places a mark if any of the conditions are true.

Examples SEARCH:SEARCH1:TRIGGER:A:LOGIC:FUNCTION AND sets the trigger a logic function for search 1 to AND.
 SEARCH:SEARCH1:TRIGGER:A:LOGIC:FUNCTION? might return
 :SEARCH:SEARCH1:TRIGGER:A:LOGIC:FUNCTION NOR, indicating that the logic function for search 1 is set to NOR.

SEARCH:SEARCH<x>:TRIGger:A:LOGIc:INPut:CH<x>

This command sets or queries the Boolean logic criteria for a pattern or state trigger search to determine where to place a mark. <x> is the search number or the channel number.

Group	Search and Mark
Syntax	SEARCH:SEARCH<x>:TRIGger:A:LOGic:INPut:CH<x> {HIGH LOW X} SEARCH:SEARCH<x>:TRIGger:A:LOGic:INPut:CH<x>?
Arguments	HIGH specifies the logic high. LOW specifies the logic low. X specifies a “don’t care” state.
Examples	SEARCH:SEARCH1:TRIGGER:A:LOGIC:INPUT:CH2 HIGH sets the logic input for Channel 1 to HIGH. SEARCH:SEARCH1:TRIGGER:A:LOGIC:INPUT:CH1? might return :SEARCH:SEARCH1:TRIGGER:A:LOGIC:INPUT:CH1 LOW, indicating the logic input on Channel 1 for search 1 is set to LOW.

SEARCH:SEARCH<x>:TRIGger:A:LOGic:INPut:MATH<x>

This command sets or queries the Boolean logic criteria for a pattern or state trigger search to determine where to place a mark. <x> is the search number or the math waveform number.

Group	Search and Mark
Syntax	SEARCH:SEARCH<x>:TRIGger:A:LOGic:INPut:MATH<x> {HIGH LOW X} SEARCH:SEARCH<x>:TRIGger:A:LOGic:INPut:MATH<x>?
Arguments	HIGH specifies a high logic level. LOW specifies a low logic level. X specifies a “don’t care” condition.
Examples	SEARCH:SEARCH1:TRIGGER:A:LOGIC:INPUT:MATH2 HIGH sets the Math 2 waveform logic input for search 1 to HIGH. SEARCH:SEARCH1:TRIGGER:A:LOGIC:INPUT:MATH1? might return :SEARCH:SEARCH1:TRIGGER:A:LOGIC:INPUT:MATH1 LOW, indicating the Math 1 waveform logic input for search 1 is set to LOW.

SEARCH:SEARCH<x>:TRIGger:A:LOGic:INPut:REF<x>

This command sets or queries the Boolean logic criteria for a pattern or state trigger search to determine where to place a mark. <x> is the search number or the reference channel number.

Group	Search and Mark
Syntax	SEARCH:SEARCH<x>:TRIGger:A:LOGic:INPut:REF<x> {HIGH LOW X} SEARCH:SEARCH<x>:TRIGger:A:LOGic:INPut:REF<x>?
Arguments	HIGH specifies a high logic level. LOW specifies a low logic level. X specifies a “don’t care” condition.
Examples	SEARCH:SEARCH1:TRIGGER:A:LOGIC:INPUT:REF2 HIGH sets the Reference 2 waveform logic input for search 1 to HIGH. SEARCH:SEARCH1:TRIGGER:A:LOGIC:INPUT:REF1? might return :SEARCH:SEARCH1:TRIGGER:A:LOGIC:INPUT:REF1 LOW, indicating the Reference 1 waveform logic input for search 1 is set to LOW.

SEARCH:SEARCH<x>:TRIGger:A:LOGic:THReshold:CH<x>

This command sets or queries the channel threshold level for a pattern or state trigger search to determine where to place a mark. SEARCH<x> is the search number and CH<x> is the channel number.

Group	Search and Mark
Syntax	SEARCH:SEARCH<x>:TRIGger:A:LOGic:THReshold:CH<x> <NR3> SEARCH:SEARCH<x>:TRIGger:A:LOGic:THReshold:CH<x>?
Arguments	<NR3> specifies the threshold level in volts.
Examples	SEARCH:SEARCH1:TRIGGER:A:LOGIC:THRESHOLD:CH2 1.3 sets the Channel 2 logic threshold for search 1 to 1.3 Volts.

SEARCH:SEARCH1:TRIGGER:A:LOGIC:THRESHOLD:CH1? might return
:SEARCH:SEARCH1:TRIGGER:A:LOGIC:THRESHOLD:CH1 2.0000, indicating
the Channel 1 logic threshold for search 1 is set to 2.0 Volts.

SEARCH:SEARCH<x>:TRIGger:A:LOGIc:THReshold:MATH<x>

This command sets or queries the math waveform threshold level for a pattern or state trigger search to determine where to place a mark. <x> is the search number or channel number.

Group	Search and Mark
Syntax	SEARCH:SEARCH<x>:TRIGger:A:LOGIc:THReshold:MATH<x> <NR3> SEARCH:SEARCH<x>:TRIGger:A:LOGIc:THReshold:MATH<x>?
Arguments	<NR3> specifies the threshold level in volts.
Examples	SEARCH:SEARCH1:TRIGGER:A:LOGIC:THRESHOLD:MATH2 2.0 sets the Math 2 waveform logic trigger threshold for search 1 to 2.0 Volts. SEARCH:SEARCH1:TRIGGER:A:LOGIC:THRESHOLD:MATH1? might return :SEARCH:SEARCH1:TRIGGER:A:LOGIC:THRESHOLD:MATH1 1.4000, indicating the Math 1 waveform logic threshold for search 1 is set to 1.4 Volts.

SEARCH:SEARCH<x>:TRIGger:A:LOGIc:THReshold:REF<x>

This command sets or queries the reference waveform threshold level for a pattern or state trigger search to determine where to place a mark. <x> is the search number or the reference waveform number.

Group	Search and Mark
Syntax	SEARCH:SEARCH<x>:TRIGger:A:LOGIc:THReshold:REF<x> <NR3> SEARCH:SEARCH<x>:TRIGger:A:LOGIc:THReshold:REF<x>?
Arguments	<NR3> specifies the threshold level in volts.
Examples	SEARCH:SEARCH1:TRIGGER:A:LOGIC:THRESHOLD:REF2 2.0 sets the Reference 2 waveform logic trigger threshold for search 1 to 2.0 Volts.

SEARCH:SEARCH1:TRIGGER:A:LOGIC:THRESHOLD:REF1? might return
:SEARCH:SEARCH1:TRIGGER:A:LOGIC:THRESHOLD:REF1 1.4000,
indicating the Reference 1 waveform logic trigger threshold for search 1 is set
to 1.4 Volts.

SEARCH:SEARCH<x>:TRIGger:A:PATtern:WHEn

This command sets or queries the pattern trigger pattern test that determines where
to place a mark. <x> is the search number.

Group Search and Mark

Syntax SEARCH:SEARCH<x>:TRIGger:A:PATtern:WHEn
{TRUE|FALSE|LESSThan|MOREThan}
SEARCH:SEARCH<x>:TRIGger:A:PATtern:WHEn?

Related Commands [SEARCH:SEARCH<x>:TRIGger:A:PATtern:WHEn:LESSLimit](#),
[SEARCH:SEARCH<x>:TRIGger:A:PATtern:WHEn:MORELimit](#)

Arguments TRUE specifies a TRUE logic level.
FALSE specifies a FALSE logic level.
LESSThan specifies the pattern must be TRUE less than the time limit.
MOREThan specifies the pattern must be TRUE more than the time limit.

Examples SEARCH:SEARCH1:TRIGGER:A:PATTERN:WHEN TRUE sets the pattern trigger
to trigger when the pattern is TRUE.
SEARCH:SEARCH1:TRIGGER:A:PATTERN:WHEN? might return
:SEARCH:SEARCH1:TRIGGER:A:PATTERN:WHEN TRUE, indicating search 1
will place a mark when the pattern trigger pattern is TRUE.

SEARCH:SEARCH<x>:TRIGger:A:PATtern:WHEn:LESSLimit

This command sets or queries the time the pattern trigger lesslimit test uses to
determines where to place a mark. <x> is the search number.

Group Search and Mark

Syntax SEARCH:SEARCH<x>:TRIGger:A:PATtern:WHEn:LESSLimit <NR3>
SEARCH:SEARCH<x>:TRIGger:A:PATtern:WHEn:LESSLimit?

Related Commands [SEARCH:SEARCH<x>:TRIGger:A:PATtern:WHEn](#), [SEARCH:SEARCH<x>:TRIGger:A:PATtern:WHEn:MORELimit](#)

Arguments <NR3> is the time in seconds.

Examples SEARCH:SEARCH1:TRIGGER:A:PATTERN:WHEN:LESSLIMIT 1.0e-9 sets the less than time limit to 1 ns.

SEARCH:SEARCH1:TRIGGER:A:PATTERN:WHEN:LESSLIMIT? might return :SEARCH:SEARCH1:TRIGGER:A:PATTERN:WHEN:LESSLIMIT 1.0000E-9, indicating the lesslimit time is set to 1 ns.

SEARCH:SEARCH<x>:TRIGger:A:PATtern:WHEn:MORELimit

This command sets or queries the time the pattern trigger morelimit test uses to determines where to place a mark. <x> is the search number.

Group Search and Mark

Syntax SEARCH:SEARCH<x>:TRIGger:A:PATtern:WHEn:MORELimit <NR3>
SEARCH:SEARCH<x>:TRIGger:A:PATtern:WHEn:MORELimit?

Related Commands [SEARCH:SEARCH<x>:TRIGger:A:PATtern:WHEn](#), [SEARCH:SEARCH<x>:TRIGger:A:PATtern:WHEn:LESSLimit](#)

Arguments <NR3> is the time in seconds.

Examples SEARCH:SEARCH1:TRIGGER:A:PATTERN:WHEN:MORELIMIT 2.0e-9 sets the more limit time to 2 ns.

SEARCH:SEARCH1:TRIGGER:A:PATTERN:WHEN:MORELIMIT? might return :SEARCH:SEARCH1:TRIGGER:A:PATTERN:WHEN:MORELIMIT 500.0000E-12, indicating the more limit time is set to 500 ps.

SEARCH:SEARCH<x>:TRIGger:A:PULse:SOURce

This command sets or queries the source waveform for a pulse trigger search to determine where to place a mark. <x> is the search number.

NOTE. *This is the source for Glitch, Width, Runt, Timeout or Window searches.*

Group	Search and Mark
Syntax	SEARCH:SEARCH<x>:TRIGger:A:PULse:SOURce {CH1 CH2 CH3 CH4 MATH1 MATH2 MATH3 MATH4 REF1 REF2 REF3 REF4} SEARCH:SEARCH<x>:TRIGger:A:PULse:SOURce?
Arguments	CH<x> specifies one input channel as the edge source, where <x> = 1, 2, 3 or 4. MATH<x> specifies the math waveform as the search source, where <x> = 1, 2, 3 or 4. REF<x> specifies the reference waveform as the search source, where <x> = 1, 2, 3 or 4.
Examples	SEARCH:SEARCH1:TRIGGER:A:PULSE:SOURCE REF1 sets the pulse trigger source for search1 to the Reference 1 waveform. SEARCH:SEARCH1:TRIGGER:A:PULSE:SOURCE? might return :SEARCH:SEARCH1:TRIGGER:A:PULSE:SOURCE MATH1, indicating the pulse trigger source for search 1 is set to the Math 1 waveform.

SEARCH:SEARCH<x>:TRIGger:A:RUNT:POLarity:CH<x>

This command sets or queries the polarity setting for a runt trigger search to determine where to place a mark. <x> is the search number or channel number.

Group	Search and Mark
Syntax	SEARCH:SEARCH<x>:TRIGger:A:RUNT:POLarity:CH<x> {EITHer NEGATive POSITive} SEARCH:SEARCH<x>:TRIGger:A:RUNT:POLarity:CH<x>?
Arguments	POSITive places a mark when the rising edge crosses the low threshold and the falling edge recrosses the low threshold without either edge ever crossing the high threshold.

NEGative places a mark when the falling edge crosses the high threshold and the rising edge recrosses the high threshold without either edge ever crossing the low threshold.

EITHer places a mark on a runt of either polarity.

Examples `SEARCH:SEARCH1:TRIGGER:A:RUNT:POLARITY:CH2 NEGATIVE` sets the Channel 2 runt polarity for search 1 to negative.

`SEARCH:SEARCH1:TRIGGER:A:RUNT:POLARITY:CH1?` might return `:SEARCH:SEARCH1:TRIGGER:A:RUNT:POLARITY:CH1 POSITIVE`, indicating the Channel 1 runt polarity for search 1 is set to positive.

SEARCH:SEARCH<x>:TRIGger:A:RUNT:POLArity:MATH<x>

This command sets or queries the polarity setting for a runt trigger search to determine where to place a mark. <x> is the search number or math waveform number.

Group Search and Mark

Syntax `SEARCH:SEARCH<x>:TRIGger:A:RUNT:POLArity:MATH<x>`
`{EITHer|NEGAtive|POSITIVe}`
`SEARCH:SEARCH<x>:TRIGger:A:RUNT:POLArity:MATH<x>?`

Arguments **POSITive** places a mark when the rising edge crosses the low threshold and the falling edge recrosses the low threshold without either edge ever crossing the high threshold.

NEGative places a mark when the falling edge crosses the high threshold and the rising edge recrosses the high threshold without either edge ever crossing the low threshold.

EITHer places a mark on a runt of either polarity.

Examples `SEARCH:SEARCH1:TRIGGER:A:RUNT:POLARITY:MATH2 NEGATIVE` sets the Math 2 waveform runt polarity for search 1 to negative.

`SEARCH:SEARCH1:TRIGGER:A:RUNT:POLARITY:MATH1?` might return `:SEARCH:SEARCH1:TRIGGER:A:RUNT:POLARITY:MATH1 POSITIVE`, indicating the Math 1 waveform runt polarity for search 1 is set to positive.

SEARCH:SEARCH<x>:TRIGger:A:RUNT:POLarity:REF<x>

This command sets or queries the polarity setting for a runt trigger search to determine where to place a mark. <x> is the search number or reference waveform number.

Group Search and Mark

Syntax SEARCH:SEARCH<x>:TRIGger:A:RUNT:POLarity:REF<x>
{EITHer|NEGAtive|POSITive}
SEARCH:SEARCH<x>:TRIGger:A:RUNT:POLarity:REF<x>?

Arguments POSitive places a mark when the rising edge crosses the low threshold and the falling edge recrosses the low threshold without either edge ever crossing the high threshold.

NEGAtive places a mark when the falling edge crosses the high threshold and the rising edge recrosses the high threshold without either edge ever crossing the low threshold.

EITHer places a mark on a runt of either polarity.

Examples SEARCH:SEARCH1:TRIGGER:A:RUNT:POLARITY:REF2 NEGATIVE sets the Reference 1 waveform runt polarity for search 1 to negative.

SEARCH:SEARCH1:TRIGGER:A:RUNT:POLARITY:REF1? might return :SEARCH:SEARCH1:TRIGGER:A:RUNT:POLARITY:REF1 POSITIVE, indicating the Reference 1 waveform runt polarity for search 1 is set to positive.

SEARCH:SEARCH<x>:TRIGger:A:RUNT:THReshold:HIGH:CH<x>

This command sets or queries the channel threshold HIGH level for a runt trigger search to determine where to place a mark. <x> is the search number or the channel number.

Group Search and Mark

Syntax SEARCH:SEARCH<x>:TRIGger:A:RUNT:THReshold:HIGH:CH<x> <NR3>
SEARCH:SEARCH<x>:TRIGger:A:RUNT:THReshold:HIGH:CH<x>?

Arguments <NR3> specifies the HIGH threshold in volts.

Examples SEARCH:SEARCH1:TRIGGER:A:RUNT:THRESHOLD:HIGh:CH2 1.3 sets the runt threshold high level to 1.3 Volts.

SEARCH:SEARCH1:TRIGGER:A:RUNT:THRESHOLD:HIGh:CH1? might return :SEARCH:SEARCH1:TRIGGER:A:RUNT:THRESHOLD:HIGh:CH1 2.0000, indicating the Channel 1 runt trigger high threshold is set to 2.0 Volts.

SEARCH:SEARCH<x>:TRIGger:A:RUNT:THReshold:HIGh:MATH<x>

This command sets or returns the math waveform threshold HIGH level for a runt trigger search to determine where to place a mark. <x> is the search number or the math waveform number.

Group Search and Mark

Syntax SEARCH:SEARCH<x>:TRIGger:A:RUNT:THReshold:HIGh:MATH<x> <NR3>
SEARCH:SEARCH<x>:TRIGger:A:RUNT:THReshold:HIGh:MATH<x>?

Arguments <NR3> specifies the HIGH threshold level.

Examples SEARCH:SEARCH1:TRIGGER:A:RUNT:THRESHOLD:HIGh:MATH2 1.3 sets the runt trigger HIGH threshold to 1.3 Volts.

SEARCH:SEARCH1:TRIGGER:A:RUNT:THRESHOLD:HIGh:MATH1? might return :SEARCH:SEARCH1:TRIGGER:A:RUNT:THRESHOLD:HIGh:MATH1 2.0000, indicating that the Math 1 waveform runt trigger HIGH threshold is set to 2.0 Volts.

SEARCH:SEARCH<x>:TRIGger:A:RUNT:THReshold:HIGh:REF<x>

This command sets or returns the reference waveform threshold HIGH level for a runt trigger search to determine where to place a mark. <x> is the search number or the reference waveform number.

Group Search and Mark

Syntax SEARCH:SEARCH<x>:TRIGger:A:RUNT:THReshold:HIGh:REF<x> <NR3>
SEARCH:SEARCH<x>:TRIGger:A:RUNT:THReshold:HIGh:REF<x>?

Arguments <NR3> specifies the HIGH threshold in volts.

Examples SEARCH:SEARCH1:TRIGGER:A:RUNT:THRESHOLD:HIG:REF2 1.3 sets the runt trigger HIGH threshold to 1.3 Volts.

SEARCH:SEARCH1:TRIGGER:A:RUNT:THRESHOLD:HIG:REF1? might return :SEARCH:SEARCH1:TRIGGER:A:RUNT:THRESHOLD:HIG:REF1 2.0000, indicating that the Reference 1 waveform runt trigger HIGH threshold is set to 2.0 Volts.

SEARCH:SEARCH<x>:TRIGger:A:RUNT:THReshold:LOW:CH<x>

This command sets or queries the channel waveform threshold LOW level for a runt trigger search to determine where to place a mark. <x> is the search number or the channel number.

Group Search and Mark

Syntax SEARCH:SEARCH<x>:TRIGger:A:RUNT:THReshold:LOW:CH<x> <NR3>
SEARCH:SEARCH<x>:TRIGger:A:RUNT:THReshold:LOW:CH<x>?

Arguments <NR3> specifies the LOW threshold in volts.

Examples SEARCH:SEARCH1:TRIGGER:A:RUNT:THRESHOLD:LOW:CH2 0.10 sets the Channel 2 LOW runt trigger threshold for search 1 to 100 mV.

SEARCH:SEARCH1:TRIGGER:A:RUNT:THRESHOLD:LOW:CH1? might return :SEARCH:SEARCH1:TRIGGER:A:RUNT:THRESHOLD:LOW:CH1 800.0000E-3, indicating the Channel 1 runt trigger LOW threshold for search 1 is set to 800 mV.

SEARCH:SEARCH<x>:TRIGger:A:RUNT:THReshold:LOW:MATH<x>

This command sets or queries the math waveform threshold LOW level for a runt trigger search to determine where to place a mark. <x> is the search number or the math waveform number.

Group Search and Mark

Syntax SEARCH:SEARCH<x>:TRIGger:A:RUNT:THReshold:LOW:MATH<x> <NR3>
SEARCH:SEARCH<x>:TRIGger:A:RUNT:THReshold:LOW:MATH<x>?

Arguments <NR3> specifies the LOW threshold level.

Examples SEARCH:SEARCH1:TRIGGER:A:RUNT:THRESHOLD:LOW:MATH2 0.10, sets the Math 2 waveform runt trigger LOW threshold for search 1 to 100 mV.

SEARCH:SEARCH1:TRIGGER:A:RUNT:THRESHOLD:LOW:MATH1? might return :SEARCH:SEARCH1:TRIGGER:A:RUNT:THRESHOLD:LOW:MATH1 800.0000E-3, indicating the Math 1 waveform runt trigger LOW threshold for search 1 is set to 800 mV.

SEARCH:SEARCH<x>:TRIGger:A:RUNT:THReshold:LOW:REF<x>

This command sets or returns the reference waveform threshold LOW level for a runt trigger search to determine where to place a mark. <x> is the search number or the reference waveform number.

Group Search and Mark

Syntax SEARCH:SEARCH<x>:TRIGger:A:RUNT:THReshold:LOW:REF<x> <NR3>
SEARCH:SEARCH<x>:TRIGger:A:RUNT:THReshold:LOW:REF<x>?

Arguments <NR3> specifies the LOW threshold in volts.

Examples SEARCH:SEARCH1:TRIGGER:A:RUNT:THRESHOLD:LOW:REF2 0.10 sets the Reference 2 waveform runt trigger LOW threshold for search 1 to 100 mV.

SEARCH:SEARCH1:TRIGGER:A:RUNT:THRESHOLD:LOW:REF1? might return :SEARCH:SEARCH1:TRIGGER:A:RUNT:THRESHOLD:LOW:REF1 800.0000E-3, indicating that the Reference 1 waveform runt trigger LOW threshold for search 1 is 800 mV.

SEARCH:SEARCH<x>:TRIGger:A:RUNT:WHEn

This command sets or returns the condition setting for a runt trigger search to determine where to place a mark. <x> is the search number.

Group Search and Mark

Syntax SEARCH:SEARCH<x>:TRIGger:A:RUNT:WHEn {OCCurs|WIDERthan}
SEARCH:SEARCH<x>:TRIGger:A:RUNT:WHEn?

Arguments OCCurs argument specifies a trigger event if a runt of any detectable width occurs. WIDERthan argument sets the oscilloscope to trigger if a runt pulse is detected with width wider than the time set by the [SEARCH:SEARCH<x>:TRIGger:A:RUNT:WIDTH](#) command.

Examples SEARCH:SEARCH1:TRIGGER:A:RUNT:WHEN WIDERTHAN sets the oscilloscope to trigger when a runt pulse is detected with width wider than the time set by the [SEARCH:SEARCH<x>:TRIGger:A:RUNT:WIDTH](#) command.

SEARCH:SEARCH1:TRIGGER:A:RUNT:WHEN? might return :SEARCH:SEARCH1:TRIGGER:A:RUNT:WHEN OCCURS, indicating that a mark is placed if a runt trigger event occurs.

SEARCH:SEARCH<x>:TRIGger:A:RUNT:WIDTH

This command sets or queries the width setting for a runt trigger search to determine where to place a mark. <x> is the search number.

Group Search and Mark

Syntax SEARCH:SEARCH<x>:TRIGger:A:RUNT:WIDTH <NR3>
SEARCH:SEARCH<x>:TRIGger:A:RUNT:WIDTH?

Arguments <NR3> specifies the minimum width, in seconds.

Examples SEARCH:SEARCH1:TRIGGER:A:RUNT:WIDTH 400E-12 sets the runt trigger minimum width for search 1 to 0.4 nanoseconds.

SEARCH:SEARCH1:TRIGGER:A:RUNT:WIDTH? might return :SEARCH:SEARCH1:TRIGGER:A:RUNT:WIDTH 500.0000E-12, indicating that the runt trigger minimum width for search 1 is set to 0.5 nanoseconds.

SEARCH:SEARCH<x>:TRIGger:A:SETHold:CLOCK:EDGE

This command sets or queries the clock slope setting for a setup/hold trigger search to determine where to place a mark. <x> is the search number.

Group Search and Mark

Syntax SEARCH:SEARCH<x>:TRIGger:A:SETHold:CLOCK:EDGE {FALL|RISE}
SEARCH:SEARCH<x>:TRIGger:A:SETHold:CLOCK:EDGE?

Arguments FALL specifies the polarity as the clock falling edge.
RISe specifies the polarity as the clock rising edge.

Examples SEARCH:SEARCH1:TRIGGER:A:SETHOLD:CLOCK:EDGE FALL sets the setup/hold trigger clock slope polarity for search 1 to falling edge.
SEARCH:SEARCH1:TRIGGER:A:SETHOLD:CLOCK:EDGE? might return :SEARCH:SEARCH1:TRIGGER:A:SETHOLD:CLOCK:EDGE RISE, indicating that the setup/hold trigger clock slope polarity for search 1 is set to rising edge.

SEARCH:SEARCH<x>:TRIGger:A:SETHold:CLOCK:SOUrce

This command sets or queries the clock source setting for a setup/hold trigger search to determine where to place a mark. <x> is the search number.

Group Search and Mark

Syntax SEARCH:SEARCH<x>:TRIGger:A:SETHold:CLOCK:SOUrce
{CH1|CH2|CH3|CH4|MATH1|MATH2|MATH3|MATH4|REF1|REF2|REF3|REF4}
SEARCH:SEARCH<x>:TRIGger:A:SETHold:CLOCK:SOUrce?

Arguments CH<x> specifies an input channel as the edge source, where <x> = 1, 2, 3 or 4.
MATH<x> specifies the math waveform as the search source, where <x> = 1, 2, 3 or 4.
REF<x> specifies the reference waveform as the search source, where <x> = 1, 2, 3 or 4.

Examples SEARCH:SEARCH1:TRIGGER:A:SETHOLD:CLOCK:SOURCE MATH1 sets the setup/hold trigger clock source setting for search 1 to MATH1.
SEARCH:SEARCH1:TRIGGER:A:SETHOLD:CLOCK:SOURCE? might return :SEARCH:SEARCH1:TRIGGER:A:SETHOLD:CLOCK:SOURCE CH1, indicating that the setup/hold trigger clock source setting for search 1 is set to CH1.

SEARCH:SEARCH<x>:TRIGger:A:SETHold:CLOCK:THReshold:CH<x>

This command sets or queries the clock threshold setting for a setup/hold trigger search to determine where to place a mark. <x> is the search number or channel number.

Group Search and Mark

Syntax SEARCH:SEARCH<x>:TRIGger:A:SETHold:CLOCK:THReshold:CH<x>
{NR3|ECL|TTL}
SEARCH:SEARCH<x>:TRIGger:A:SETHold:CLOCK:THReshold:CH<x>?

Arguments <NR3> is the clock level, in volts.
ECL specifies a preset ECL high level of -1.3 V.
TTL specifies a preset TTL high level of 1.4 V.

Examples SEARCH:SEARCH1:TRIGGER:A:SETHOLD:CLOCK:THRESHOLD:CH2 ECL sets the Channel 2 setup/hold trigger clock threshold setting for search 1 to ECL.
SEARCH:SEARCH1:TRIGGER:A:SETHOLD:CLOCK:THRESHOLD:CH1? might return :SEARCH:SEARCH1:TRIGGER:A:SETHOLD:CLOCK:THRESHOLD:CH1 -1.3000, indicating that the Channel 1 setup/hold trigger clock threshold setting for search 1 is set to -1.3 volts.

SEARCH:SEARCH<x>:TRIGger:A:SETHold:CLOCK:THReshold:MATH<x>

This command sets or queries the clock threshold setting for a setup/hold trigger search to determine where to place a mark. <x> is the search number or math waveform number.

Group Search and Mark

Syntax SEARCH:SEARCH<x>:TRIGger:A:SETHold:CLOCK:THReshold:MATH<x>
{NR3|ECL|TTL}
SEARCH:SEARCH<x>:TRIGger:A:SETHold:CLOCK:THReshold:MATH<x>?

Arguments <NR3> is the clock level, in volts.
ECL specifies a preset ECL high level of -1.3 V.
TTL specifies a preset TTL high level of 1.4 V.

Examples SEARCH:SEARCH1:TRIGGER:A:SETHOLD:CLOCK:THRESHOLD:MATH2 ECL sets the clock threshold setting of the Math 2 waveform for a setup/hold trigger search to ECL.
SEARCH:SEARCH1:TRIGGER:A:SETHOLD:CLOCK:THRESHOLD:MATH1? might return :SEARCH:SEARCH1:TRIGGER:A:SETHOLD:CLOCK:THRESHOLD:MATH1 1.4000, indicating that the clock threshold setting of the Math 1 waveform for a setup/hold trigger search is set to 1.4 volts.

SEARCH:SEARCH<x>:TRIGger:A:SETHold:CLOCK:THReshold:REF<x>

This command sets or queries the clock threshold setting for a setup/hold trigger search to determine where to place a mark. <x> is the search number or reference waveform number.

Group	Search and Mark
Syntax	SEARCH:SEARCH<x>:TRIGger:A:SETHold:CLOCK:THReshold:REF<x> {NR3 ECL TTL} SEARCH:SEARCH<x>:TRIGger:A:SETHold:CLOCK:THReshold:REF<x>?
Arguments	<NR3> is the clock level, in volts. ECL specifies a preset ECL high level of -1.3 V. TTL specifies a preset TTL high level of 1.4 V.
Examples	SEARCH:SEARCH1:TRIGGER:A:SETHOLD:CLOCK:THRESHOLD:REF2 ECL sets the clock threshold setting of the Reference 2 waveform for a setup/hold trigger search to ECL. SEARCH:SEARCH1:TRIGGER:A:SETHOLD:CLOCK:THRESHOLD:REF1? might return :SEARCH:SEARCH1:TRIGGER:A:SETHOLD:CLOCK:THRESHOLD:REF1 1.0000, indicating that the clock threshold setting of the Reference 1 waveform for a setup/hold trigger search is set to 1 volt.

SEARCH:SEARCH<x>:TRIGger:A:SETHold:DATA:SOURce

This command sets or queries the data source setting for a setup/hold trigger search to determine where to place a mark. <x> is the search number.

Group	Search and Mark
Syntax	SEARCH:SEARCH<x>:TRIGger:A:SETHold:DATA:SOURce {CH1 CH2 CH3 CH4 MATH1 MATH2 MATH3 MATH4 REF1 REF2 REF3 REF4 SEARCH:SEARCH<x>:TRIGger:A:SETHold:DATA:SOURce?
Arguments	CH<x> specifies an input channel as the search source, where <x> = 1, 2, 3 or 4. MATH<x> specifies the math waveform as the search source, where <x> = 1, 2, 3 or 4.

REF<x> specifies the reference waveform as the search source, where <x> = 1, 2, 3 or 4.

Examples SEARCH:SEARCH1:TRIGGER:A:SETHOLD:DATA:SOURCE MATH1 sets the setup/hold trigger data source setting for search 1 to the Math 1 waveform.

SEARCH:SEARCH1:TRIGGER:A:SETHOLD:DATA:SOURCE? might return :SEARCH:SEARCH1:TRIGGER:A:SETHOLD:DATA:SOURCE CH1, indicating that the setup/hold trigger data source setting for search 1 is set to the Channel 1.

SEARCH:SEARCH<x>:TRIGger:A:SETHold:DATA:THReshold:CH<x>

This command sets or queries the data threshold setting for a setup/hold trigger search to determine where to place a mark. <x> is the search number or channel number.

Group Search and Mark

Syntax SEARCH:SEARCH<x>:TRIGger:A:SETHold:DATA:THReshold:CH<x>
{NR3|ECL|TTL}
SEARCH:SEARCH<x>:TRIGger:A:SETHold:DATA:THReshold:CH<x>?

Arguments <NR3> is the clock level, in volts.

ECL specifies a preset ECL high level of -1.3 V.

TTL specifies a preset TTL high level of 1.4 V.

Examples SEARCH:SEARCH1:TRIGGER:A:SETHOLD:DATA:THRESHOLD:CH2 ECL sets the Channel 2 setup/hold trigger data threshold setting for search 1 to -1.3 volts.

SEARCH:SEARCH1:TRIGGER:A:SETHOLD:DATA:THRESHOLD:CH1? might return :SEARCH:SEARCH1:TRIGGER:A:SETHOLD:DATA:THRESHOLD:CH1 1.4000, indicating that the Channel 1 setup/hold trigger data threshold setting for search 1 is set to 1.4 V.

SEARCH:SEARCH<x>:TRIGger:A:SETHold:DATA:THReshold:MATH<x>

This command sets or queries the data threshold setting for a setup/hold trigger search to determine where to place a mark. <x> is the search number or math waveform number.

Group Search and Mark

Syntax	SEARCH:SEARCH<x>:TRIGger:A:SETHold:DATA:THReshold:MATH<x> {NR3 ECL TTL} SEARCH:SEARCH<x>:TRIGger:A:SETHold:DATA:THReshold:MATH<x>?
Arguments	<NR3> is the clock level, in volts. ECL specifies a preset ECL high level of -1.3 V. TTL specifies a preset TTL high level of 1.4 V.
Examples	SEARCH:SEARCH1:TRIGGER:A:SETHOLD:DATA:THRESHOLD:MATH1 ECL sets the Math 2 waveform setup/hold trigger data threshold setting for search 1 to -1.3 volts. SEARCH:SEARCH1:TRIGGER:A:SETHOLD:DATA:THRESHOLD:MATH1? might return :SEARCH:SEARCH1:TRIGGER:A:SETHOLD:DATA:THRESHOLD:MATH1 1.0000, indicating that the Math 1 waveform setup/hold trigger data threshold setting for search 1 is set to 1.0 volt.

SEARCH:SEARCH<x>:TRIGger:A:SETHold:DATA:THReshold:REF<x>

This command sets or queries the data threshold setting for a setup/hold trigger search to determine where to place a mark. <x> is the search number or reference waveform number.

Group	Search and Mark
Syntax	SEARCH:SEARCH<x>:TRIGger:A:SETHold:DATA:THReshold:REF<x> {NR3 ECL TTL} SEARCH:SEARCH<x>:TRIGger:A:SETHold:DATA:THReshold:REF<x>?
Arguments	<NR3> is the clock level, in volts. ECL specifies a preset ECL high level of -1.3 V. TTL specifies a preset TTL high level of 1.4 V.
Examples	SEARCH:SEARCH1:TRIGGER:A:SETHOLD:DATA:THRESHOLD:REF2 ECL sets the Reference 2 waveform setup/hold trigger data threshold setting for search 1 to -1.3 volts. SEARCH:SEARCH1:TRIGGER:A:SETHOLD:DATA:THRESHOLD:REF1? might return :SEARCH:SEARCH1:TRIGGER:A:SETHOLD:DATA:THRESHOLD:REF1 1.4000, indicating that the Reference 1 waveform setup/hold trigger data threshold setting for search 1 is set to 1.4 volts.

SEARCH:SEARCH<x>:TRIGger:A:SETHold:HOLDTime

This command sets or queries the hold time setting for a setup/hold trigger search to determine where to place a mark. <x> is the search number.

Group	Search and Mark
Syntax	SEARCH:SEARCH<x>:TRIGger:A:SETHold:HOLDTime <NR3> SEARCH:SEARCH<x>:TRIGger:A:SETHold:HOLDTime?
Arguments	<NR3> specifies the hold time setting in seconds. Positive values for hold time occur after the clock edge. Negative values occur before the clock edge.
Examples	SEARCH:SEARCH1:TRIGGER:A:SETHOLD:HOLDTIME? 400E-12 sets the setup/hold trigger hold time setting for search 1 to 400 ps. SEARCH:SEARCH1:TRIGGER:A:SETHOLD:HOLDTIME? might return :SEARCH:SEARCH1:TRIGGER:A:SETHOLD:HOLDTIME 500.0000E-12, indicating that the setup/hold trigger hold time setting for search 1 is set to 0.5 ns.

SEARCH:SEARCH<x>:TRIGger:A:SETHold:SETTime

This command sets or queries the setup time setting for a setup/hold trigger search to determine where to place a mark. <x> is the search number.

Group	Search and Mark
Syntax	SEARCH:SEARCH<x>:TRIGger:A:SETHold:SETTime <NR3> SEARCH:SEARCH<x>:TRIGger:A:SETHold:SETTime?
Arguments	<NR3> specifies the setup time for setup and hold violation triggering.
Examples	SEARCH:SEARCH1:TRIGGER:A:SETHOLD:SETTIME 2E-9 sets the setup/hold trigger setup time setting for search 1 to 2 ns. SEARCH:SEARCH1:TRIGGER:A:SETHOLD:SETTIME? might return :SEARCH:SEARCH1:TRIGGER:A:SETHOLD:SETTIME 1.0000E-9, indicating that the setup/hold trigger setup time setting for search 1 is set to 1.0 ns.

SEARCH:SEARCH<x>:TRIGger:A:STATE:CLOCK:EDGE

This command sets or queries the clock slope setting for a state trigger search to determine where to place a mark. <x> is the search number.

Group	Search and Mark
Syntax	SEARCH:SEARCH<x>:TRIGger:A:STATE:CLOCK:EDGE {FALL RISe} SEARCH:SEARCH<x>:TRIGger:A:STATE:CLOCK:EDGE?
Arguments	FALL specifies polarity as the clock falling edge. RISe specifies polarity as the clock rising edge.
Examples	SEARCH:SEARCH1:TRIGGER:A:STATE:CLOCK:EDGE? RISE sets the state trigger clock slope polarity setting for search 1 to RISE. SEARCH:SEARCH1:TRIGGER:A:STATE:CLOCK:EDGE? might return :SEARCH:SEARCH1:TRIGGER:A:STATE:CLOCK:EDGE FALL, indicating that the state trigger clock slope polarity setting for search 1 is set to FALL.

SEARCH:SEARCH<x>:TRIGger:A:STATE:CLOCK:SOURce

This command sets or queries the clock source of the twelve waveforms for a state trigger search to determine where to place a mark. <x> is the search number. The hardware trigger is always on the channel 4.

Group	Search and Mark
Syntax	SEARCH:SEARCH<x>:TRIGger:A:STATE:CLOCK:SOURce {CH1 CH2 CH3 CH4 MATH1 MATH2 MATH3 MATH4 REF1 REF2 REF3 REF4} SEARCH:SEARCH<x>:TRIGger:A:STATE:CLOCK:SOURce?
Arguments	CH<x> specifies an input channel as the search source, where <x> = 1, 2, 3 or 4. MATH<x> specifies the math waveform as the search source, where <x> = 1, 2, 3 or 4. REF<x> specifies the reference waveform as the search source, where <x> = 1, 2, 3 or 4.
Examples	SEARCH:SEARCH1:TRIGGER:A:STATE:CLOCK:SOURCE CH2 sets the state trigger clock source for search 1 to Channel 2.

SEARCH:SEARCH1:TRIGGER:A:STATE:CLOCK:SOURCE? might return
:SEARCH:SEARCH1:TRIGGER:A:STATE:CLOCK:SOURCE CH1, indicating that
the state trigger clock source for search 1 is set to Channel 1.

SEARCH:SEARCH<x>:TRIGger:A:STATE:WHEn

This command sets or queries the state trigger search to determine where to place a mark. <x> is the search number.

Group Search and Mark

Syntax SEARCH:SEARCH<x>:TRIGger:A:STATE:WHEn {TRUE|FALSE}
SEARCH:SEARCH<x>:TRIGger:A:STATE:WHEn?

Arguments TRUE specifies a TRUE logic level.
FALSE specifies a FALSE logic level.

Examples SEARCH:SEARCH1:TRIGGER:A:STATE:WHEn FALSE sets the state trigger logic level for search 1 to FALSE.
SEARCH:SEARCH1:TRIGGER:A:STATE:WHEn? might return
:SEARCH:SEARCH1:TRIGGER:A:STATE:WHEn TRUE, indicating that the state trigger logic level for search 1 is set to TRUE.

SEARCH:SEARCH<x>:TRIGger:A:TIMEOut:POLarity:CH<x>

This command sets or queries the polarity for a timeout trigger search to determine where to place a mark. <x> is the search number or channel number.

Group Search and Mark

Syntax SEARCH:SEARCH<x>:TRIGger:A:TIMEOut:POLarity:CH<x>
{STAYSHigh|STAYSLow|EITHer}
SEARCH:SEARCH<x>:TRIGger:A:TIMEOut:POLarity:CH<x>?

Arguments STAYSHigh specifies the polarity stays HIGH.
STAYSLow specifies the polarity stays LOW.
EITHer specifies the polarity either stays HIGH or stays LOW.

Examples SEARCH:SEARCH1:TRIGGER:A:TIMEOUT:POLARITY:CH2 STAYSLOW sets the Channel 2 timeout trigger polarity for search 1 to STAYSLOW.

SEARCH:SEARCH1:TRIGGER:A:TIMEOUT:POLARITY:CH1? might return :SEARCH:SEARCH1:TRIGGER:A:TIMEOUT:POLARITY:CH1 STAYSHIGH, indicating that the Channel 2 timeout trigger polarity for search 1 is set to STAYSHIGH.

SEARCH:SEARCH<x>:TRIGger:A:TIMEOut:POLarity:MATH<x>

This command sets or queries the polarity for a timeout trigger search to determine where to place a mark. <x> is the search number or math waveform number.

Group Search and Mark

Syntax SEARCH:SEARCH<x>:TRIGger:A:TIMEOut:POLarity:MATH<x>
{STAYSHigh|STAYSLow|EITHer}
SEARCH:SEARCH<x>:TRIGger:A:TIMEOut:POLarity:MATH<x>?

Arguments STAYSHigh specifies the polarity stays HIGH.
STAYSLow specifies the polarity stays LOW.
EITHer specifies the polarity either stays HIGH or stays LOW.

Examples SEARCH:SEARCH1:TRIGGER:A:TIMEOUT:POLARITY:MATH2 STAYSLOW sets the Math 2 waveform timeout trigger polarity for search 1 to STAYSLOW.

SEARCH:SEARCH1:TRIGGER:A:TIMEOUT:POLARITY:MATH1? might return :SEARCH:SEARCH1:TRIGGER:A:TIMEOUT:POLARITY:MATH1 STAYSHIGH, indicating that the Math 1 waveform timeout trigger polarity for search 1 is set to STAYSHIGH.

SEARCH:SEARCH<x>:TRIGger:A:TIMEOut:POLarity:REF<x>

This command sets or queries the polarity for a timeout trigger search to determine where to place a mark. <x> is the search number or reference waveform number.

Group Search and Mark

Syntax SEARCH:SEARCH<x>:TRIGger:A:TIMEOut:POLarity:REF<x>
{STAYSHigh|STAYSLow|EITHer}
SEARCH:SEARCH<x>:TRIGger:A:TIMEOut:POLarity:REF<x>?

- Arguments** `STAYSHigh` specifies the polarity stays HIGH.
 `STAYSLOW` specifies the polarity stays LOW.
 `EITHer` specifies the polarity either stays HIGH or stays LOW.
- Examples** `SEARCH:SEARCH1:TRIGGER:A:TIMEOUT:POLARITY:REF2 STAYSLOW` sets the Reference 2 waveform timeout trigger polarity for search 1 to STAYSLOW.
- `SEARCH:SEARCH1:TRIGGER:A:TIMEOUT:POLARITY:REF1?` might return `:SEARCH:SEARCH1:TRIGGER:A:TIMEOUT:POLARITY:REF1 STAYSHIGH`, indicating that the Reference 2 waveform timeout trigger polarity for search 1 is set to STAYSHIGH.

SEARCH:SEARCH<x>:TRIGger:A:TIMEOut:TIME

This command sets or queries the time setting for a timeout trigger search to determine where to place a mark. <x> is the search number.

- Group** Search and Mark
- Syntax** `SEARCH:SEARCH<x>:TRIGger:A:TIMEOut:TIME <NR3>`
 `SEARCH:SEARCH<x>:TRIGger:A:TIMEOut:TIME?`
- Arguments** <NR3> is the time in seconds.
- Examples** `SEARCH:SEARCH1:TRIGGER:A:TIMEOUT:TIME 400E-9` sets the timeout trigger time setting for search 1 to 400 ns.
- `SEARCH:SEARCH1:TRIGGER:A:TIMEOUT:TIME?` might return `:SEARCH:SEARCH1:TRIGGER:A:TIMEOUT:TIME 500.0000E-12`, indicating that the timeout trigger time setting for search 1 is set to 500 ns.

SEARCH:SEARCH<x>:TRIGger:A:TRANSition:DELTATime

This command sets or queries the transition time setting for a transition trigger search to determine where to place a mark.<x> is the search number.

- Group** Search and Mark
- Syntax** `SEARCH:SEARCH<x>:TRIGger:A:TRANSition:DELTATime <NR3>`
 `SEARCH:SEARCH<x>:TRIGger:A:TRANSition:DELTATime?`

Arguments <NR3> specifies the transition time, in seconds.

Examples SEARCH:SEARCH1:TRIGGER:A:TIMEOUT:TIME 400E-9 sets the transition trigger time setting for search 1 to 400 ns.

SEARCH:SEARCH1:TRIGGER:A:TRANSITION:DELTATIME? might return :SEARCH:SEARCH1:TRIGGER:A:TRANSITION:DELTATIME 500.0000E-12, indicating that the transition trigger time setting for search 1 is set to 500 ps.

SEARCH:SEARCH<x>:TRIGger:A:TRANSition:POLarity:CH<x>

This command sets or queries the polarity setting for a transition trigger search to determine where to place a mark. <x> is the search number or channel number.

Group Search and Mark

Syntax SEARCH:SEARCH<x>:TRIGger:A:TRANSition:POLarity:CH<x>
{EITHer|NEGAtive|POSITIve}
SEARCH:SEARCH<x>:TRIGger:A:TRANSition:POLarity:CH<x>?

Arguments POSitive specifies that a pulse edge must traverse from the lower (most negative) to higher (most positive) level for transition triggering to occur.

NEGAtive specifies that a pulse edge must traverse from the upper (most positive) to lower (most negative) level for transition triggering to occur.

EITHer specifies either positive or negative polarity.

Examples SEARCH:SEARCH1:TRIGGER:A:TRANSITION:POLARITY:CH12 NEGATIVE, sets the Channel 2 transition trigger polarity setting for search 1 to NEGATIVE.

SEARCH:SEARCH1:TRIGGER:A:TRANSITION:POLARITY:CH1? might return :SEARCH:SEARCH1:TRIGGER:A:TRANSITION:POLARITY:CH1 POSITIVE, indicating that the Channel 1 transition trigger polarity setting for search 1 is set to POSITIVE.

SEARCH:SEARCH<x>:TRIGger:A:TRANSition:POLarity:MATH<x>

This command sets or queries the polarity setting for a transition trigger search to determine where to place a mark. <x> is the search number or math waveform number.

Group Search and Mark

Syntax SEARCH:SEARCH<x>:TRIGger:A:TRANSition:POLArity:MATH<x>
 {EITHer|NEGAtive|POSITIVe}
 SEARCH:SEARCH<x>:TRIGger:A:TRANSition:POLArity:MATH<x>?

Arguments POSitive specifies that a pulse edge must traverse from the lower (most negative) to higher (most positive) level for transition triggering to occur.
 NEGAtive specifies that a pulse edge must traverse from the upper (most positive) to lower (most negative) level for transition triggering to occur.
 EITHer specifies either positive or negative polarity.

Examples SEARCH:SEARCH1:TRIGGER:A:TRANSITION:POLARITY:MATH2 NEGATIVE
 sets the Math 2 waveform transition trigger polarity setting for search 1 to NEGATIVE.
 SEARCH:SEARCH1:TRIGGER:A:TRANSITION:POLARITY:MATH1? might
 return :SEARCH:SEARCH1:TRIGGER:A:TRANSITION:POLARITY:MATH1
 POSITIVE, indicating that the Math 1 waveform transition trigger polarity setting
 for search 1 is set to POSITIVE.

SEARCH:SEARCH<x>:TRIGger:A:TRANSition:POLArity:REF<x>

This command sets or queries the polarity setting for a transition trigger search to determine where to place a mark. <x> is the search number or reference waveform number.

Group Search and Mark

Syntax SEARCH:SEARCH<x>:TRIGger:A:TRANSition:POLArity:REF<x>
 {EITHer|NEGAtive|POSITIVe}
 SEARCH:SEARCH<x>:TRIGger:A:TRANSition:POLArity:REF<x>?

Arguments POSitive specifies that a pulse edge must traverse from the lower (most negative) to higher (most positive) level for transition triggering to occur.
 NEGAtive specifies that a pulse edge must traverse from the upper (most positive) to lower (most negative) level for transition triggering to occur.
 EITHer specifies either positive or negative polarity.

Examples SEARCH:SEARCH1:TRIGGER:A:TRANSITION:POLARITY:REF2 NEGATIVE
 sets the Reference 2 waveform transition trigger polarity setting for search 1 to NEGATIVE.

SEARCH:SEARCH1:TRIGGER:A:TRANSITION:POLARITY:REF1? might return :SEARCH:SEARCH1:TRIGGER:A:TRANSITION:POLARITY:REF1 POSITIVE, indicating that the Reference 2 waveform transition trigger polarity setting for search 1 is set to POSITIVE.

SEARCH:SEARCH<x>:TRIGger:A:TRANSition:THReshold:HIGH:CH<x>

This command sets or queries the threshold high voltage level setting for a transition trigger search to determine where to place a mark. <x> is the search number or channel number.

Group Search and Mark

Syntax SEARCH:SEARCH<x>:TRIGger:A:TRANSition:THReshold:HIGH:CH<x>
<NR3>
SEARCH:SEARCH<x>:TRIGger:A:TRANSition:THReshold:HIGH:CH<x>?

Arguments <NR3> specifies the HIGH threshold in volts.

Examples SEARCH:SEARCH1:TRIGGER:A:TRANSITION:THRESHOLD:HIGH:CH2 1.5 sets the Channel 2 transition trigger HIGH threshold setting for search 1 to 1.5 volts.

SEARCH:SEARCH1:TRIGGER:A:TRANSITION:THRESHOLD:HIGH:CH1? might return :SEARCH:SEARCH1:TRIGGER:A:TRANSITION:THRESHOLD:HIGH:CH1 2.0000, indicating that the Channel 1 transition trigger HIGH threshold setting for search 1 is set to 2 volts.

SEARCH:SEARCH<x>:TRIGger:A:TRANSition:THReshold:HIGH:MATH<x>

This command sets or queries the threshold high voltage level setting for a transition trigger search to determine where to place a mark. <x> is the search number or math waveform number.

Group Search and Mark

Syntax SEARCH:SEARCH<x>:TRIGger:A:TRANSition:THReshold:HIGH:MATH<x>
<NR3>
SEARCH:SEARCH<x>:TRIGger:A:TRANSition:THReshold:HIGH:
MATH<x>?

Arguments <NR3> specifies the HIGH threshold in volts.

Examples SEARCH:SEARCH1:TRIGGER:A:TRANSITION:THRESHOLD:HIG:MATH2 1.5 sets the Math 2 waveform transition trigger HIGH threshold setting for search 1 to 1.5 volts.

SEARCH:SEARCH1:TRIGGER:A:TRANSITION:THRESHOLD:HIG:MATH1? might return
:SEARCH:SEARCH1:TRIGGER:A:TRANSITION:THRESHOLD:HIG:MATH1 2.0000, indicating that the Math 1 waveform transition trigger HIGH threshold setting for search 1 is set to 2 volts.

SEARCH:SEARCH<x>:TRIGger:A:TRANSition:THReshold:HIG:REF<x>

This command sets or queries the threshold high voltage level setting for a transition trigger search to determine where to place a mark. <x> is the search number or reference waveform number.

Group Search and Mark

Syntax SEARCH:SEARCH<x>:TRIGger:A:TRANSition:THReshold:HIG:REF<x>
<NR3>
SEARCH:SEARCH<x>:TRIGger:A:TRANSition:THReshold:HIG:REF<x>?

Arguments <NR3> specifies the HIGH threshold in volts.

Examples SEARCH:SEARCH1:TRIGGER:A:TRANSITION:THRESHOLD:HIG:REF2 1.5 sets the Reference 2 waveform transition trigger HIGH threshold setting for search 1 to 1.5 volts.

SEARCH:SEARCH1:TRIGGER:A:TRANSITION:THRESHOLD:HIG:REF1? might return
:SEARCH:SEARCH1:TRIGGER:A:TRANSITION:THRESHOLD:HIG:REF1 2.0000, indicating that the Reference 1 waveform transition trigger HIGH threshold setting for search 1 is set to 2 volts.

SEARCH:SEARCH<x>:TRIGger:A:TRANSition:THReshold:LOW:CH<x>

This command sets or queries the threshold low voltage level setting for a transition trigger search to determine where to place a mark. <x> is the search number or channel number.

Group	Search and Mark
Syntax	SEARCH:SEARCH<x>:TRIGger:A:TRANSition:THReshold:LOW:CH<x> <NR3> SEARCH:SEARCH<x>:TRIGger:A:TRANSition:THReshold:LOW:CH<x>?
Arguments	<NR3> specifies the LOW threshold in volts.
Examples	SEARCH:SEARCH1:TRIGGER:A:TRANSITION:THRESHOLD:LOW:CH2 0.5 sets the Channel 2 transition trigger LOW threshold setting for search 1 to 0.5 volts. SEARCH:SEARCH1:TRIGGER:A:TRANSITION:THRESHOLD:LOW:CH1? might return :SEARCH:SEARCH1:TRIGGER:A:TRANSITION:THRESHOLD:LOW:CH1 800.0000E-3, indicating that the Channel 1 transition trigger LOW threshold setting for search 1 is set to 0.8 volts.

SEARCH:SEARCH<x>:TRIGger:A:TRANSition:THReshold:LOW:MATH<x>

This command sets or queries the threshold low voltage level setting for a transition trigger search to determine where to place a mark. <x> is the search number or math waveform number.

Group	Search and Mark
Syntax	SEARCH:SEARCH<x>:TRIGger:A:TRANSition:THReshold:LOW:MATH<x> <NR3> SEARCH:SEARCH<x>:TRIGger:A:TRANSition:THReshold:LOW:MATH<x>?
Arguments	<NR3> specifies the LOW threshold in volts.
Examples	SEARCH:SEARCH1:TRIGGER:A:TRANSITION:THRESHOLD:LOW:MATH2 0.5 sets the Math 2 waveform transition trigger LOW threshold setting for search 1 to 0.5 volts. SEARCH:SEARCH1:TRIGGER:A:TRANSITION:THRESHOLD:LOW:MATH1? might return :SEARCH:SEARCH1:TRIGGER:A:TRANSITION:THRESHOLD:LOW:MATH1 800.0000E-3, indicating that the Math 1 waveform transition trigger LOW threshold setting for search 1 is set to 0.8 volts.

SEARCH:SEARCH<x>:TRIGger:A:TRANSition:THReshold:LOW:REF<x>

This command sets or queries the threshold low voltage level setting for a transition trigger search to determine where to place a mark. <x> is the search number or reference waveform number.

Group	Search and Mark
Syntax	SEARCH:SEARCH<x>:TRIGger:A:TRANSition:THReshold:LOW:REF<x> <NR3> SEARCH:SEARCH<x>:TRIGger:A:TRANSition:THReshold:LOW:REF<x>?
Arguments	<NR3> specifies the LOW threshold in volts.
Examples	SEARCH:SEARCH1:TRIGGER:A:TRANSITION:THRESHOLD:LOW:REF2 0.5 sets the Reference 2 waveform transition trigger LOW threshold setting for search 1 to 0.5 volts. SEARCH:SEARCH1:TRIGGER:A:TRANSITION:THRESHOLD:LOW:REF1? might return :SEARCH:SEARCH1:TRIGGER:A:TRANSITION:THRESHOLD:LOW:REF1 800.0000E-3, indicating that the Reference 1 waveform transition trigger LOW threshold setting for search 1 is set to 0.8 volts.

SEARCH:SEARCH<x>:TRIGger:A:TRANSition:WHEn

This command sets or queries the condition setting for a transition trigger search to determine where to place a mark. <x> is the search number.

Group	Search and Mark
Syntax	SEARCH:SEARCH<x>:TRIGger:A:TRANSition:WHEn {FASTERthan SLOWERthan} SEARCH:SEARCH<x>:TRIGger:A:TRANSition:WHEn?
Arguments	FASTERthan sets the trigger to occur when the transitioning signal is faster than the set volts/second rate. SLOWERthan sets the trigger to occur when the transitioning signal is slower than the set volts/second rate.
Examples	SEARCH:SEARCH1:TRIGGER:A:TRANSITION:WHEN SLOWERTHAN sets the transition trigger condition setting for search 1 to SLOWERTHAN.

SEARCH:SEARCH1:TRIGGER:A:TRANSITION:WHEN? might return
:SEARCH:SEARCH1:TRIGGER:A:TRANSITION:WHEN FASTERTHAN, indicating
that the transition trigger condition setting for search 1 is set to FASTERTHAN.

SEARCH:SEARCH<x>:TRIGger:A:TYPE

This command sets or queries the trigger type setting for a search to determine where to place a mark. <x> is the search number.

Group Search and Mark

Syntax SEARCH:SEARCH<x>:TRIGger:A:TYPE
{EDGE|RUNT|TRANSITION|PATTERN|GLITCH|SETHold|UNDEFINED|
WIDTH|TIMEOut|WINDOW|STATE|DDRRead|DDRWrite|DDRREADWrite}
SEARCH:SEARCH<x>:TRIGger:A:TYPE?

Arguments EDGE triggers when the source input signal amplitude crosses the specified level in the direction given by the slope.

NOTE. *EDGE is standard. All other arguments are optional.*

RUNT triggers when a pulse crosses the first preset voltage threshold but does not cross the second preset threshold before recrossing the first. The thresholds are set with the SEARCH:SEARCH<x>:TRIGger:A:RUNt:HIGH and SEARCH:SEARCH<x>:TRIGger:A:RUNt:LOW THRESHOLD commands.

TRANSITION triggers when a pulse crosses both thresholds in the same direction as the specified polarity and the transition time between the two threshold crossings is greater or less than the specified time delta.

PATTERN trigger on a functional pattern combination of one to four input signal sources.

GLITCH triggers at the trailing edge of the glitch pulse where the signal crosses the trigger level.

SETHold triggers on the data input signal transitions relative to the clock input signal transitions within the setup and hold time violation zone.

UNDEFINED is the default. To perform a search, select a different argument.

WIDTH triggers on input signal source pulses that are inside or outside of the given time range.

TIMEOut triggers on an input signal source that stays above, stays below, or stays either above or below the trigger level for a given time.

WINDOW triggers on an input signal source that enters or exits the horizontal band defined by the two trigger levels.

STATE triggers on a functional pattern combination of one to three data sources at the time of the clock transition.

DDRRead triggers at the start and end of the read bus.

DDRWrite triggers at the start and end of the write bus.

DDRREADWrite triggers at the start and end of both the read and write bus.

Examples SEARCH:SEARCH1:TRIGGER:A:TYPE RUNT sets the trigger type setting for search 1 to RUNT.

SEARCH:SEARCH1:TRIGGER:A:TYPE? might return
:SEARCH:SEARCH1:TRIGGER:A:TYPE EDGE, indicating that the trigger type setting for search 1 is set to EDGE.

SEARCH:SEARCH<x>:TRIGger:A:WIDth:HIGHLimit

This command sets or queries the upper time limit setting for a width trigger search to determine where to place a mark. <x> is the search number.

Group Search and Mark

Syntax SEARCH:SEARCH<x>:TRIGger:A:WIDth:HIGHLimit <NR3>
SEARCH:SEARCH<x>:TRIGger:A:WIDth:HIGHLimit?

Arguments <NR3> specifies the upper time limit in seconds.

Examples SEARCH:SEARCH1:TRIGGER:A:WIDTH:HIGHLIMIT 400E-12 sets the width trigger upper time limit setting for search 1 to 0.4 ns.

SEARCH:SEARCH1:TRIGGER:A:WIDTH:HIGHLIMIT? might return
:SEARCH:SEARCH1:TRIGGER:A:WIDTH:HIGHLIMIT 500.0000E-12,
indicating that the width trigger upper time limit setting for search 1 is set to 0.5 ns.

SEARCH:SEARCH<x>:TRIGger:A:WIDth:LOWLimit

This command sets or queries the lower time limit setting for a width trigger search to determine where to place a mark. <x> is the search number.

Group Search and Mark

Syntax	SEARCH:SEARCH<x>:TRIGger:A:WIDth:LOWLimit <NR3> SEARCH:SEARCH<x>:TRIGger:A:WIDth:LOWLimit?
Arguments	<NR3> specifies the lower time limit in seconds.
Examples	SEARCH:SEARCH1:TRIGGER:A:WIDTH:LOWLIMIT 400E-12 sets the width trigger lower time limit setting for search 1 to 0.4 ns. SEARCH:SEARCH1:TRIGGER:A:WIDTH:LOWLIMIT? might return :SEARCH:SEARCH1:TRIGGER:A:WIDTH:LOWLIMIT 500.0000E-12, indicating that the width trigger lower time limit setting for search 1 is set to 0.5 ns.

SEARCH:SEARCH<x>:TRIGger:A:WIDth:POLarity:CH<x>

This command sets or queries the polarity for a width trigger search to determine where to place a mark. <x> is the search number or channel number.

Group	Search and Mark
Syntax	SEARCH:SEARCH<x>:TRIGger:A:WIDth:POLarity:CH<x> {NEGAtive POSITIVe} SEARCH:SEARCH<x>:TRIGger:A:WIDth:POLarity:CH<x>?
Arguments	NEGAtive specifies a negative polarity. POSITIVe specifies a positive polarity.
Examples	SEARCH:SEARCH1:TRIGGER:A:WIDTH:POLARITY:CH2 NEGATIVE sets the Channel 2 width trigger polarity setting for search 1 to NEGATIVE. SEARCH:SEARCH1:TRIGGER:A:WIDTH:POLARITY:CH1? might return :SEARCH:SEARCH1:TRIGGER:A:WIDTH:POLARITY:CH1 POSITIVE, indicating that the Channel 1 width trigger polarity setting for search 1 is set to POSITIVE .

SEARCH:SEARCH<x>:TRIGger:A:WIDth:POLarity:MATH<x>

This command sets or queries the polarity for a width trigger search to determine where to place a mark. <x> is the search number or math waveform number.

Group	Search and Mark
--------------	-----------------

Syntax SEARCH:SEARCH<x>:TRIGger:A:WIDth:POLArity:MATH<x>
 {NEGAtive|POSITIVE}
 SEARCH:SEARCH<x>:TRIGger:A:WIDth:POLArity:MATH<x>?

Arguments NEGAtive specifies a negative polarity.
 POSITIVE specifies a positive polarity.

Examples SEARCH:SEARCH1:TRIGGER:A:WIDTH:POLARITY:MATH2 NEGATIVE sets the Math 2 waveform width trigger polarity setting for search 1 to NEGATIVE.
 SEARCH:SEARCH1:TRIGGER:A:WIDTH:POLARITY:MATH1? might return :SEARCH:SEARCH1:TRIGGER:A:WIDTH:POLARITY:MATH1 POSITIVE, indicating that the Math 1 waveform width trigger polarity setting for search 1 is set to POSITIVE.

SEARCH:SEARCH<x>:TRIGger:A:WIDth:POLArity:REF<x>

This command sets or queries the polarity for a width trigger search to determine where to place a mark. <x> is the search number or reference waveform number.

Group Search and Mark

Syntax SEARCH:SEARCH<x>:TRIGger:A:WIDth:POLArity:REF<x>
 {NEGAtive|POSITIVE}
 SEARCH:SEARCH<x>:TRIGger:A:WIDth:POLArity:REF<x>?

Arguments NEGAtive specifies a negative polarity.
 POSITIVE specifies a positive polarity.

Examples SEARCH:SEARCH1:TRIGGER:A:WIDTH:POLARITY:REF2 NEGATIVE sets the Reference 2 waveform width trigger polarity setting for search 1 to NEGATIVE.
 SEARCH:SEARCH1:TRIGGER:A:WIDTH:POLARITY:REF1? might return :SEARCH:SEARCH1:TRIGGER:A:WIDTH:POLARITY:REF1 POSITIVE, indicating that the Reference 1 waveform width trigger polarity setting for search 1 is set to POSITIVE.

SEARCH:SEARCH<x>:TRIGger:A:WIDth:WHEn

This command sets or queries the width trigger search to determine where to place a mark. <x> is the search number.

Group	Search and Mark
Syntax	SEARCH:SEARCH<x>:TRIGger:A:WIDTh:WHEN {OUTside WIThin} SEARCH:SEARCH<x>:TRIGger:A:WIDTh:WHEN?
Arguments	OUTside specifies the outside limits. WIThin specifies the inside limits.
Examples	SEARCH:SEARCH1:TRIGGER:A:WIDTH:WHEN OUTSIDE sets the width trigger for search 1 to outside limits. SEARCH:SEARCH1:TRIGGER:A:WIDTH:WHEN? might return :SEARCH:SEARCH1:TRIGGER:A:WIDTH:WHEN WITHIN, indicating that the width trigger for search 1 is set to inside limits.

SEARCH:SEARCH<x>:TRIGger:A:WINDow:EVENT

This command sets or queries the window trigger search to determine where to place a mark. <x> is the search number.

Group	Search and Mark
Syntax	SEARCH:SEARCH<x>:TRIGger:A:WINDow:EVENT {OUTSIDEGreater INSIDEGreater ENTERSWindow EXITSWindow} SEARCH:SEARCH<x>:TRIGger:A:WINDow:EVENT?
Arguments	OUTSIDEGreater specifies a trigger event when the signal leaves the window defined by the threshold levels for the time specified by Width. INSIDEGreater specifies a trigger event when the signal enters the window defined by the threshold levels for the time specified by Width. ENTERSWindow specifies a trigger event when the signal enters the window defined by the threshold levels. EXITSWindow specifies a trigger event when the signal leaves the window defined by the threshold levels.
Examples	SEARCH:SEARCH1:TRIGGER:A:WIDTH:EVENT OUTSIDEGREATER sets the window trigger for search 1 specifies a trigger when the signal leaves the window defined by the threshold levels for the time specified by width.

SEARCH:SEARCH1:TRIGGER:A:WIDTH:EVENT? might return
:SEARCH:SEARCH1:TRIGGER:A:WIDTH:EVENT ENTERSWINDOW, indicating
that the window trigger for search 1 specifies a trigger when the signal enters the
window defined by the threshold levels.

SEARCH:SEARCH<x>:TRIGger:A:WINDow:THReshold:HIGH:CH<x>

This command sets or queries the channel threshold HIGH level for a window
trigger search to determine where to place a mark. <x> is the search number or
channel number.

Group	Search and Mark
Syntax	SEARCH:SEARCH<x>:TRIGger:A:WINDow:THReshold:HIGH:CH<x> <NR3> SEARCH:SEARCH<x>:TRIGger:A:WINDow:THReshold:HIGH:CH<x>?
Arguments	<NR3> specifies the HIGH threshold level.
Examples	SEARCH:SEARCH1:TRIGGER:A:WINDOW:THRESHOLD:HIGH:CH2 1.5000 sets the Channel 2 window trigger high threshold level for search 1 to 1.5 volts. SEARCH:SEARCH1:TRIGGER:A:WINDOW:THRESHOLD:HIGH:CH1? might return :SEARCH:SEARCH1:TRIGGER:A:WINDOW:THRESHOLD:HIGH:CH1 2.0000, indicating that the Channel 2 window trigger high threshold level for search 1 is set to 2.0 V.

SEARCH:SEARCH<x>:TRIGger:A:WINDow:THReshold:HIGH:MATH<x>

This command sets or queries the math waveform threshold HIGH level for a
window trigger search to determine where to place a mark. <x> is the search
number or math waveform number.

Group	Search and Mark
Syntax	SEARCH:SEARCH<x>:TRIGger:A:WINDow:THReshold:HIGH:MATH<x> <NR3> SEARCH:SEARCH<x>:TRIGger:A:WINDow:THReshold:HIGH:MATH<x>?
Arguments	<NR3> specifies the HIGH threshold level.

Examples `SEARCH:SEARCH1:TRIGGER:A:WINDOW:THRESHOLD:HIG:MATH2 1.5000`
 sets the Math 2 waveform window trigger high threshold level for search 1 to 1.5 volts.

`SEARCH:SEARCH1:TRIGGER:A:WINDOW:THRESHOLD:HIG:MATH1?` might
 return `:SEARCH:SEARCH1:TRIGGER:A:WINDOW:THRESHOLD:HIG:MATH1`
`2.0000`, indicating that the Math 1 waveform window trigger high threshold level
 for search 1 is set to 2.0 volts.

SEARCH:SEARCH<x>:TRIGger:A:WINDow:THReshold:HIGh:REF<x>

This command sets or queries the reference waveform threshold HIGH level for a window trigger search to determine where to place a mark. <x> is the search number or reference waveform number.

Group Search and Mark

Syntax `SEARCH:SEARCH<x>:TRIGger:A:WINDow:THReshoId:HIGh:REF<x>`
`<NR3>`
`SEARCH:SEARCH<x>:TRIGger:A:WINDow:THReshoId:HIGh:REF<x>?`

Arguments <NR3> specifies the HIGH threshold level.

Examples `SEARCH:SEARCH1:TRIGGER:A:WINDOW:THRESHOLD:HIG:REF2 1.5000`
 sets the Reference 2 waveform window trigger high threshold level for search 1 to 1.5 volts.

`SEARCH:SEARCH1:TRIGGER:A:WINDOW:THRESHOLD:HIG:REF1?` might
 return `:SEARCH:SEARCH1:TRIGGER:A:WINDOW:THRESHOLD:HIG:REF1`
`2.0000`, indicating that the Reference 1 waveform window trigger high threshold
 level for search 1 is set to 2.0 volts.

SEARCH:SEARCH<x>:TRIGger:A:WINDow:THReshold:LOW:CH<x>

This command sets or queries the channel waveform threshold LOW level for a window trigger search to determine where to place a mark. <x> is the search number or channel waveform number.

Group Search and Mark

Syntax SEARCH:SEARCH<x>:TRIGger:A:WINDow:THResho1d:LOW:CH<x> <NR3>
SEARCH:SEARCH<x>:TRIGger:A:WINDow:THResho1d:LOW:CH<x>?

Arguments <NR3> specifies the LOW threshold level.

Examples SEARCH:SEARCH1:TRIGGER:A:WINDOW:THRESHOLD:LOW:CH2 0.5 sets the Channel 2 window trigger low threshold level for search 1 to 0.5 volts.

SEARCH:SEARCH1:TRIGGER:A:WINDOW:THRESHOLD:LOW:CH1? might return :SEARCH:SEARCH1:TRIGGER:A:WINDOW:THRESHOLD:LOW:CH1 800.0000E-3, indicating that the Channel 1 window trigger high threshold level for search 1 is set to 0.8 volts.

SEARCH:SEARCH<x>:TRIGger:A:WINDow:THReshold:LOW:MATH<x>

This command sets or queries the math waveform threshold LOW level for a window trigger search to determine where to place a mark. <x> is the search number or math waveform number.

Group Search and Mark

Syntax SEARCH:SEARCH<x>:TRIGger:A:WINDow:THResho1d:LOW:MATH<x>
<NR3>
SEARCH:SEARCH<x>:TRIGger:A:WINDow:THResho1d:LOW:MATH<x>?

Arguments <NR3> specifies the LOW threshold level.

Examples SEARCH:SEARCH1:TRIGGER:A:WINDOW:THRESHOLD:LOW:MATH2 0.5 sets the Math 2 waveform window trigger low threshold level for search 1 to 0.5 volts.

SEARCH:SEARCH1:TRIGGER:A:WINDOW:THRESHOLD:LOW:MATH1? might return :SEARCH:SEARCH1:TRIGGER:A:WINDOW:THRESHOLD:LOW:MATH1 800.0000E-3, indicating that the Math 1 waveform window trigger low threshold level for search 1 is set to 0.8 volts.

SEARCH:SEARCH<x>:TRIGger:A:WINDow:THReshold:LOW:REF<x>

This command sets or queries the reference waveform threshold LOW level for a window trigger search to determine where to place a mark. <x> is the search number or reference waveform number.

Group	Search and Mark
Syntax	SEARCH:SEARCH<x>:TRIGger:A:WINDow:THResho1d:LOW:REF<x> <NR3> SEARCH:SEARCH<x>:TRIGger:A:WINDow:THResho1d:LOW:REF<x>?
Arguments	<NR3> specifies the LOW threshold level.
Examples	SEARCH:SEARCH1:TRIGGER:A:WINDOW:THRESHOLD:LOW:REF2 0.5 sets the Reference 2 waveform window trigger low threshold level for search 1 to 0.5 volts. SEARCH:SEARCH1:TRIGGER:A:WINDOW:THRESHOLD:LOW:REF1? might return :SEARCH:SEARCH1:TRIGGER:A:WINDOW:THRESHOLD:LOW:REF1 2.0000, indicating that the Reference 1 waveform window trigger low threshold level for search 1 is set to 0.8 volts.

SEARCH:SEARCH<x>:TRIGger:A:WINDow:WIDth

This command sets or queries the width setting for a window trigger search to determine where to place a mark. <x> is the search number.

Group	Search and Mark
Syntax	SEARCH:SEARCH<x>:TRIGger:A:WINDow:WIDth <NR3> SEARCH:SEARCH<x>:TRIGger:A:WINDow:WIDth?
Arguments	<NR3> specifies the minimum width, in seconds. ECL specifies a preset high level of -1.3V and TTL specifies a preset high level of +1.4V.
Examples	SEARCH:SEARCH1:TRIGGER:A:WINDOW:WIDTH 400E-12 sets the window trigger width setting for search 1 to 0.4 ns. SEARCH:SEARCH1:TRIGGER:A:WINDOW:WIDTH? might return :SEARCH:SEARCH1:TRIGGER:A:WINDOW:WIDTH 500.0000E-12, indicating that the window trigger width setting for search 1 is set to 0.5 ns.

SEARCH:STOP

This command sets or queries the stop of acquisitions when a search finds an event.

Group	Search and Mark
Syntax	SEARCH:STOP {<NR1> OFF ON 1 0} SEARCH:STOP?
Arguments	<NR1> any numerical nonzero, stops the acquisition. OFF continues the acquisition. ON stops the acquisition. 1 stops the acquisition. 0 continues the acquisition.
Examples	SEARCH:STOP 1 stops the acquisition. SEARCH:STOP? might return :SEARCH:STOP 1, indicating that a search found an event and stops acquisition.

SElect? (Query Only)

This query-only command returns the selected waveform that is affected by the front-panel controls and the display status (on or off) of all waveforms. This query command is equivalent to selecting Measurement Setup from the Measure menu and viewing the Source waveform setting.

Group	Vertical
Syntax	SElect?
Examples	SELECT? might return the waveform and status information as :SELECT:CH1 1;CH2 0;CH3 0;CH4 0;MATH1 0; MATH2 0;MATH3 0;MATH4 0;REF1 0;REF2 0; REF3 0;REF4 0;CONTROL CH1.

SElect:CH<x>

This command sets or queries the displayed state of the specified channel waveform. The x can be channel 1 through 4.

Group	Vertical
--------------	----------

Syntax	SElect:CH<x> {<NR1> OFF ON} SElect:CH<x>?
Arguments	ON displays the indicated channel waveform. OFF turns off the display of the indicated channel waveform. <NR1> = 0 turns off the display of the specified channel waveform; any other value turns on the display of the specified waveform.
Examples	SELECT:CH1 ON displays Channel 1. SELECT:CH1? might return SELECT:CH1 1 indicating Channel 1 is displayed.

SElect:CONTROL <wfm>

This command sets or queries the waveform that is selected as the implied recipient of channel-related commands that support legacy-style programs. The command form also performs the equivalent of a [SElect:<wfm> ON](#) command. This command is equivalent to selecting Measurement Setup from the Measure menu and either viewing or setting the Source waveform.

Group	Vertical
Syntax	SElect:CONTROL {CH<x> MATH<x> REF<x>} SElect:CONTROL?
Arguments	CH<x> selects the specified channel waveform as the waveform that is affected by the front-panel controls. The x variable can be expressed as an integer ranging from 1 through 4. MATH<x> selects the specified math waveform as the waveform that is affected by the front-panel controls. The x variable can be expressed as an integer ranging from 1 through 4. REF<x> selects the specified reference waveform as the waveform that is affected by the front-panel controls. The x variable can be expressed as an integer ranging from 1 through 4.
Examples	SELECT:CONTROL CH2 resets acquisition displays on Channel 2, and causes the selected waveform to be the implied object of waveform commands. SELECT:CONTROL? might return :SELECT:CONTROL MATH3, indicating that Math 3 is the implied object of waveform commands.

SElect:<wfm>

This command turns on the display of a specified waveform and also resets the acquisition. The query returns whether the channel is on or off but does not indicate whether it is the selected waveform. WFM can be a channel, math, or reference waveform.

Group Vertical

Syntax SElect:<wfm> {ON|OFF|<NR1>}
SElect:<wfm>?

Arguments ON turns on the display of the specified waveform. This waveform also becomes the selected waveform.

OFF turns off the display of the specified waveform.

<NR1> = 0 turns off the display of the specified waveform; any other value turns on the display of the specified waveform.

Examples SELECT:CH2 ON turns the channel 2 waveform display on, and selects Channel 2.

SELECT:REF1? might return :SELECT:REF1 1, indicating that Reference 1 waveform is being displayed.

SET? (Query Only)

This query-only command returns the commands that list the instrument settings, except for configuration information for the calibration values. You can use these commands to return the instrument to the state it was in when you made the SET? query. The SET? query always returns command headers, regardless of the setting of the [HEADer](#) command. This is because the returned commands are intended to be sent back to the instrument as a command string. The [VERBose](#) command can still be used to specify whether the returned headers should be abbreviated or full-length.

This command is identical to the [*LRN?](#) command.

Group Miscellaneous

Syntax SET?

Related Commands [HEADer](#), [*LRN?](#), [VERBose](#)

Examples SET? might return the following response: :ACQUIRE:STOPAFTER
 RUNSTOP;STATE 1;MODE SAMPLE;NUMENV 10;NUMAVG 16;REPET
 1;:FASTACQ:STATE 0;:APPLICATION:GPKNOB1:ACTIVE
 0;:APPLICATION:GPKNOB2:ACTIVE 0;:APPLICATION:WINDOW:HEIGHT
 236;WIDTH 640;:APPLICATION:SCOPEAPP:STATE
 RUNNING;WINDOW FULLSCREEN;:APPLICATION:EXTAPP:STATE
 NOTRUNNING;:AUXOUT:SOURCE ATRIGGER;EDGE FALLING;:CMBATCH
 1;:HEADER 1;:LOCK NONE;:ROSC:SOURCE INTERNAL;:VERBOSE
 1;:ALIAS:STATE 0;:DISPLAY:CLOCK 1;COLOR:PALETTE
 NORMAL;MATHCOLOR DEFAULT;REFCOLOR DEFAULT;:DISPLAY:FILTER
 SINX;FORMAT YT;GRATICULE FULL;INTENSITY:WAVEFORM
 75.0000;AUTOBRIGHT 1;:DISPLAY:PERSISTENCE
 OFF;STYLE VECTORS;TRIGBAR SHORT;TRIGT 1;VARPERSIST
 500.0000E-3;:HARDCOPY:FILENAME "untitled";PORT
 FILE;:DIAG:LEVEL SUBSYS;:SAVE:WAVEFORM:FILEFORMAT
 INTERNAL;:TRIGGER:A:MODE AUTO;TYPE
 EDGE;LEVEL 0.0000;HOLDOFF:BY DEFAULT;TIME
 1.5000E-6;:TRIGGER:A:EDGE:SOURCE CH1;COUPLING DC;SLOPE RISE;.

SETUp:NAME

This command allows you to create (or query) a name for your saved setups. The default name for all user setups is "User." The default name for factory setups is "Factory."

This command is equivalent to selecting Save As from the File menu, pressing the Setup button, selecting the desired setup location, clicking the keyboard icon, and entering your setup name.

Group Save and Recall

Syntax SETUp:NAME <NR1>,<QString>
 SETUp:NAME? <NR1>

Related Commands [SAVe:SETUp](#)

Arguments <NR1> specifies a location in which the setup label is stored. Location values range from 1 through 10.

<QString> is a string containing the setup label.

Examples SETUp:NAME 1, "My Setup" changes the setup label for internal setup location 1 to "My Setup".

SETUP:NAME? 2 might return :SETUP:NAME 2, "My Setup", indicating that "My Setup" is the setup label that you defined for internal setup location 2.

*SRE

The *SRE (Service Request Enable) command sets and queries the bits in the Service Request Enable Register. For more information, refer to Registers.

Group Status and Error

Syntax *SRE <NR1>
*SRE?

Related Commands [*CLS](#), [DESE](#), [*ESE](#), [*ESR?](#), [EVENT?](#), [EVMsg?](#), [FACTory](#), [*STB?](#)

Arguments <NR1> is a value in the range from 0 through 255. The binary bits of the SRER are set according to this value. Using an out-of-range value causes an execution error. The power-on default for SRER is 0 if *PSC is 1. If *PSC is 0, the SRER maintains the previous power cycle value through the current power cycle.

Examples *SRE 48 sets the bits in the SRER to binary 00110000.
*SRE? might return 32, showing that the bits in the SRER have the binary value of 00100000.

*STB? (Query Only)

The *STB? (Read Status Byte) query returns the contents of the Status Byte Register (SBR) using the Master Summary Status (MSS) bit. For more information, refer to Registers.

Group Status and Error

Syntax *STB?

Related Commands [*CLS](#), [DESE](#), [*ESE](#), [*ESR?](#), [EVENT?](#), [EVMsg?](#), [FACTory](#), [*SRE](#)

Returns <NR1>

Examples *STB? might return 96, showing that the SBR contains the binary value 01100000.

TEKSecure (No Query Form)

This command initializes both waveform and setup memories, overwriting any previously stored data.

TEKSecure deletes all four waveform reference memory slots on the hard drive, if they exist, and puts all setups in the factory-initialized state. External setups that are stored on the hard drive are not affected.

Group Miscellaneous

Syntax TEKSecure

Examples TEKSECURE initializes both waveform and setup memories.

TEST

This command provides the ability to select and execute an item at any level of the test hierarchy (Test, Area or Subsystem). The query returns the last command sent. This command is equivalent to selecting Instrument Diagnostics from the Utilities menu, choosing a test and then pressing Run.

NOTE. *Turning off both `DIAG:CONTROL:HALT` and `DIAG:CONTROL:LOOP` before executing the `TEST` command is recommended.*

Group Diagnostics

Syntax TEST <QString>
TEST?

Related Commands [TEST:RESults?](#), [TEST:RESults:VERBose?](#), [TEST:STOP](#)

Arguments <QString> sets the test ID, which ranges from 0 through 3 characters. If no test ID is specified, all available diagnostics are executed.

- Examples** TEST "1" executes all Acquisition tests (Subsystem:Acquisition).
- TEST "11" executes all Acquisition Memory tests (Subsystem:Acquisition, Area:Memory).
- TEST "113" executes a specific Acquisition Memory test (Subsystem:Acquisition, Area:Memory, Test:Address Lines).

TEST:RESuLts? (Query Only)

This query-only command returns an abbreviated status about the results of the last TEST execution. This command is equivalent to selecting Instrument Diagnostics from the Utilities menu and then reviewing the Diagnostic Status.

Group Diagnostics

Syntax TEST:RESuLts?

Related Commands [TEST](#), [TEST:RESuLts:VERBose?](#)

- Examples** TEST:RESuLts? might return :TEST:RESuLts "135", indicating the specific failure code of the first test failure.
- TEST:RESuLts? might return :TEST:RESuLts "PASS", indicating that the previously executed test passed.
- TEST:RESuLts? might return :TEST:RESuLts "*****", indicating that the test was not run.

TEST:RESuLts:VERBose? (Query Only)

This query-only command returns a more explanatory message about the results of the last TEST execution than the [TEST:RESuLts?](#) query. This command is equivalent to selecting Instrument Diagnostics from the Utilities menu and then clicking the Error Log button.

Group Diagnostics

Syntax TEST:RESuLts:VERBose?

Related Commands [TEST](#), [TEST:RESuLts?](#)

Examples TEST:RESULTS:VERBOSE? might return :TEST:RESULTS:VERBOSE DIAG ABORTED, ERROR 15 in A2D-Dmux 1 interconnects".

TEST:STOP (No Query Form)

This command (no query form) causes test (or diagnostics) execution to terminate at the end of the next low-level test. This command is equivalent to selecting Instrument Diagnostics from the Utilities menu and then clicking Abort.

Group Diagnostics

Syntax TEST:STOP

Related Commands [DIAG:STOP](#)

Examples TEST:STOP terminates test (or diagnostics) execution at the end of the next low-level test.

TIME

This command sets or queries the time that the instrument displays. This command is equivalent to selecting Set Time & Date from the Utilities menu and then setting the fields in the Time group box.

Group Miscellaneous

Syntax TIME <QString>
TIME?

Related Commands [DATE](#)

Arguments <QString> is a time in the form "hh:mm:ss" where hh refers to a two-digit hour number, mm refers to a two-digit minute number from 01 to 60, and ss refers to a two-digit second number from 01 to 60.

Examples TIME "14:00:00" sets the time to exactly 2:00 p.m.

TIME? might return :TIME "14:05:17, indicating the current time is set to 2:05 p.m. and 17 seconds.

*TRG (No Query Form)

This command (no query form) performs the group execute trigger on commands defined by *DDT.

Group Miscellaneous

Syntax *TRG

Related Commands [*DDT](#)

Examples *TRG immediately executes all commands that have been defined by *DDT.

TRIGger

This command forces a trigger event to occur. The query returns the current trigger parameters for the instrument.

Group Trigger

Syntax TRIGger FORCE
TRIGger?

Arguments FORCE creates a trigger event. If TRIGger:STATE is set to READy, the acquisition will complete. Otherwise, this command will be ignored. This is equivalent to selecting A Event (Main) Trigger Setup from the Trig menu and then clicking Force Trigger.

Examples TRIGGER FORCE forces a trigger event to occur.

```
TRIGGER? might return these trigger parameters: :TRIGGER:A:MODE
AUTO;TYPE EDGE;LEVEL 0.0000;HOLDOFF:BY DEFAULT;TIME
1.5000E-6;:TRIGGER:A:EDGE:SOURCE CH1;COUPLING
DC;SLOPE RISE;:TRIGGER:A:LOGIC:CLASS PATTERN;FUNCTION
AND;THRESHOLD:CH1 1.2000;CH2 1.2000;CH3 1.2000;CH4
1.2000;:TRIGGER:A:LOGIC:INPUT:CH1 HIGH;CH2
X;CH3 X;:TRIGGER:A:LOGIC:PATTERN:INPUT:CH4
X;:TRIGGER:A:LOGIC:PATTERN:WHEN
TRUE;WHEN:LESSLIMIT 5.0000E-9;MORELIMIT
5.0000E-9;:TRIGGER:A:LOGIC:SETHOLD:CLOCK:EDGE RISE;THRESHOLD
1.2000;SOURCE CH2;:TRIGGER:A:LOGIC:SETHOLD:DATA:THRESHOLD
```

```

1.2000;SOURCE CH1;;TRIGGER:A:LOGIC:SETHOLD:HOLDTIME
2.0000E-9;SETTIME 3.0000E-9;;TRIGGER:A:LOGIC:STATE:INPUT:CH4
RISE;;TRIGGER:A:LOGIC:STATE:WHEN
TRUE;;TRIGGER:A:PULSE:CLASS GLITCH;SOURCE
CH1;GLITCH:WIDTH 2.0000E-9;TRIGIF ACCEPT;POLARITY
POSITIVE;;TRIGGER:A:PULSE:WINDOW:TYPE INSIDE;WHEN
OCCURS;WIDTH 2.0000E-9;LOGIC:INPUT:CH1 HIGH;CH2 HIGH;CH3
HIGH;CH4 HIGH;;TRIGGER:A:PULSE:WINDOW:LOGIC:THRESHOLD:CH1
1.2000;CH2 1.2000;CH3 1.2000;CH4
1.2000;;TRIGGER:A:PULSE:WINDOW:THRESHOLD:HIGH 1.2000;LOW
800.0000E-3;;TRIGGER:A:PULSE:RUNT:LOGIC:THRESHOLD:CH1
1.2000;CH2 1.2000;CH3 1.2000;CH4
1.2000;;TRIGGER:A:PULSE:RUNT:POLARITY
POSITIVE;THRESHOLD:HIGH 1.2000;LOW
800.0000E-3;;TRIGGER:A:PULSE:RUNT:WHEN OCCURS;WIDTH
2.0000E-9;;TRIGGER:A:PULSE:TRANSITION:DELTATIME
2.0000E-9;POLARITY POSITIVE;THRESHOLD:HIGH 1.2000;LOW
800.0000E-3;;TRIGGER:A:PULSE:TRANSITION:WHEN
FASTERTHAN;;TRIGGER:A:PULSE:WIDTH:LOWLIMIT
2.0000E-9;HIGHLIMIT 2.0000E-9;WHEN WITHIN;POLARITY
POSITIVE;;TRIGGER:A:PULSE:TIMEOUT:POLARITY
STAYSHIGH;TIME 2.0000E-9;;TRIGGER:A:VIDEO:CUSTOM:FORMAT
INTERLACED;SCAN RATE1;;TRIGGER:A:VIDEO:FIELD
ALLFIELDS;HOLDOFF:FIELD 0.0000;;TRIGGER:A:VIDEO:LINE
1;POLARITY NORMAL;SCAN RATE1;SOURCE CH1;STANDARD
NTSC;;TRIGGER:A:COMMUNICATION:STANDARD CUSTOM;CODE
NRZ;BITRATE 1544000;AMI:PULSEFORM PLUSONE;THRESHOLD:HIGH
0.0000;LOW 0.0000;;TRIGGER:A:COMMUNICATION:CLOCK:POLARITY
RISE;;TRIGGER:A:COMMUNICATION:CMI:PULSEFORM
PLUSONE;;TRIGGER:A:COMMUNICATION:SOURCE CH1;SOURCE:TYPE
DATA;;TRIGGER:B:STATE 0;TYPE EDGE;LEVEL 0.0000;BY
EVENTS;EDGE:SOURCE CH1;SLOPE RISE;COUPLING
DC;;TRIGGER:B:TIME 16.0000E-9;EVENTS:COUNT 2.

```

TRIGger:{A|B}:EDGE? (Query Only)

This query-only command returns the trigger source, coupling, and slope for the specified edge trigger. This command is equivalent to selecting Edge Setup from the Trig menu and viewing the current setups, or selecting B Event (Delayed) Trigger Setup from the Trig menu and viewing the current Source, Slope, and Coupling settings.

Group Trigger

Syntax TRIGger:{A|B}:EDGE?

Related Commands [TRIGger:{A|B}:PULse?](#), [TRIGger:A:LOGIc?](#), [TRIGger:{A|B}:EDGE:COUPling](#), [TRIGger:{A|B}:EDGE:SLOpe](#), [TRIGger:{A|B}:EDGE:SOUrce](#), [TRIGger:B:STATE](#)

Examples `TRIGGER:A:EDGE?` might return `:TRIGGER:A:EDGE:SOURCE CH1;COUPLING DC; SLOPE RISE`, indicating the trigger source, coupling, and slope for the A edge trigger.

TRIGger:{A|B}:EDGE:COUPling

This command sets or queries the type of coupling for the edge trigger. This command is equivalent to selecting Event Trigger Setup from the Trig menu, selecting Edge Trigger, and choosing from the Coupling drop-down list.

Group Trigger

Syntax `TRIGger:{A|B}:EDGE:COUPling {AC|DC|HFRej|LFRej|NOISerej|ATRIGger}`
`TRIGger:{A|B}:EDGE:COUPling?`

Related Commands [TRIGger:{A|B}:EDGE:SOUrce](#), [TRIGger:{A|B}:EDGE:SLOpe](#)

Arguments AC selects AC trigger coupling, which passes the input signals above 60 Hz to the trigger circuitry.

DC selects DC trigger coupling, which passes all input signals to the trigger circuitry.

HFRej coupling attenuates signals above 50 kHz before passing the signals to the trigger circuitry.

LFRej coupling attenuates signals below 80 kHz before passing the signals to the trigger circuitry.

NOISerej coupling provides stable triggering by increasing the trigger hysteresis. Increased hysteresis reduces the trigger sensitivity to noise but may require greater trigger signal amplitude.

ATRIGger this B trigger command sets the B trigger coupling to match the setting on the A trigger.

Examples `TRIGGER:A:EDGE:COUPLING DC` sets the A edge trigger coupling to DC.

`TRIGGER:A:EDGE:COUPLING?` might return `:TRIGGER:A:EDGE:COUPLING DC`, indicating that the A edge trigger coupling is set to DC.

TRIGger:{A|B}:EDGE:COUPling:CH<x>

This command sets or queries the type of coupling for the A or B trigger for the specified channel. This command is equivalent to selecting A or B Trigger Setup from the Trig menu and choosing the setting from the Coupling drop-down list.

Group Trigger

Syntax TRIGger:{A|B}:EDGE:COUPling:CH<x>
{AC|DC|HFRej|LFRej|NOISerej}
TRIGger:{A|B}:EDGE:COUPling:CH<x>?

Related Commands [TRIGger:{A|B}:EDGE:COUPling](#)

Arguments AC selects AC trigger coupling.
DC selects DC trigger coupling.
HFRej selects high frequency low sensitivity.
LFRej selects low frequency low sensitivity.
NOISerej selects DC low sensitivity.

Examples TRIGGER:B:EDGE:COUPLING:CH1 DC selects DC for the B trigger coupling of Channel 1.

TRIGGER:B:EDGE:COUPLING:CH1? might return
:TRIGGER:B:EDGE:COUPLING:CH1 LFREJ for the B trigger coupling.

TRIGger:{A|B}:EDGE:SLOPe

This command sets or queries the slope for the edge trigger. This command is equivalent to selecting Event Trigger Setup from the Trig menu and then choosing the desired Slope.

Group Trigger

Syntax TRIGger:{A|B}:EDGE:SLOPe {RISe|FALL|EITHer}
TRIGger:{A|B}:EDGE:SLOPe?

Related Commands	TRIGger:{A B}:EDGE:SOUrce, TRIGger:{A B}:EDGE:COUPling, TRIGger:{A B}:EDGE?, TRIGger:B:STATE
Arguments	RISE specifies to trigger on the rising or positive edge of a signal. FALL specifies to trigger on the falling or negative edge of a signal. EITHER specified to trigger on either the rising or falling edge of a signal.
Examples	TRIGGER:A:EDGE:SLOPE RISE sets the A edge trigger slope to positive, which triggers on the rising edge of the signal. TRIGGER:A:EDGE:SLOPE? might return :TRIGGER:A:EDGE:SLOPE FALL, indicating that the A edge trigger slope is negative.

TRIGger:{A|B}:EDGE:SLOpe:AUX

This command sets or queries the slope for the edge trigger for the AUX In input. This command is equivalent to selecting A Event or B Event Trigger Setup from the Trig menu and then choosing the desired Slope.

Group	Trigger
Syntax	TRIGger:{A B}:EDGE:SLOpe:AUX {RISe FALL EITHer} TRIGger:{A B}:EDGE:SLOpe:AUX?
Arguments	RISE specifies to trigger on the rising or positive edge of a signal. FALL specifies to trigger on the falling or negative edge of a signal. EITHER specifies to trigger on either the rising or falling edge of a signal.
Examples	TRIGGER:A:EDGE:SLOPE:AUX RISE sets the A edge trigger slope to positive, which triggers on the rising edge of the signal. TRIGGER:A:EDGE:SLOPE:AUX? might return :TRIGGER:A:EDGE:SLOPE:AUX FALL, indicating that the A edge trigger slope is negative.

TRIGger:{A|B}:EDGE:SLOpe:CH<x>

This command sets or queries the slope for the edge trigger for the specified channel. This command is equivalent to selecting A Event or B Event Trigger Setup from the Trig menu and then choosing the desired Slope.

Group	Trigger
Syntax	TRIGger:{A B}:EDGE:SLOpe:CH<x> {RISe FALL EITHer} TRIGger:{A B}:EDGE:SLOpe:CH<x>?
Related Commands	TRIGger:{A B}:EDGE:SOUrce , TRIGger:{A B}:EDGE:COUPling
Arguments	RISE specifies to trigger on the rising or positive edge of a signal. FALL specifies to trigger on the falling or negative edge of a signal. EITHER specifies to trigger on either the rising or falling edge of a signal.
Examples	TRIGGER:A:EDGE:SLOPE:CH2 RISE sets the Channel 2 edge trigger slope to rising or positive TRIGGER:A:EDGE:SLOPE:CH1? might return :TRIGGER:A:EDGE:SLOPE FALL, indicating that the A edge trigger slope is negative.

TRIGger:{A|B}:EDGE:SOUrce

This command sets or queries the source for the edge trigger. This command is equivalent to selecting Event Trigger Setup from the Trig menu and then choosing from the Source drop-down list.

Group	Trigger
Syntax	TRIGger:{A B}:EDGE:SOUrce {AUXiliary CH<x> LINE} TRIGger:{A B}:EDGE:SOUrce?
Related Commands	TRIGger:{A B}:EDGE:SLOpe , TRIGger:{A B}:EDGE:COUPling , TRIGger:{A B}:EDGE? , TRIGger:B:STATE
Arguments	AUXiliary specifies an external trigger using the Auxiliary Trigger Input connector located on the rear panel of the instrument. CH<x> specifies one input channel as the edge trigger source. LINE specifies AC line voltage, and is for A Trigger only.
Examples	TRIGGER:A:EDGE:SOURCE CH2 sets the A edge trigger source to input channel CH2.

TRIGGER:A:EDGE:SOURCE? might return :TRIGGER:A:EDGE:SOURCE CH1, indicating that the A edge trigger source is set to input channel CH1.

TRIGger:{A|B}:LEVel

This command sets or queries the level for the trigger. This command is equivalent to selecting Holdoff from the Trig menu and then viewing or setting the trigger Level or selecting B Event (Delayed) Trigger Setup from the Trig menu and setting the B Trig Level voltage.

Group Trigger

Syntax TRIGger:{A|B}:LEVel {ECL|TTL|<NR3>}
TRIGger:{A|B}:LEVel?

Related Commands [TRIGger:{A|B}:LEVel](#), [TRIGger:B](#), [TRIGger:{A|B}:EDGE:SOUrce](#)
[TRIGger:B:STATE](#)

Arguments ECL specifies the ECL high level.
TTL specifies the TTL high level.
<NR3> specifies the trigger level in user units (usually volts).

Examples TRIGGER:A:LEVEL TTL sets the A edge trigger to TTL high level.
TRIGGER:A:LEVEL? might return :TRIGGER:A:LEVel 1.3000E+00, indicating that the A edge trigger is set to 1.3 V.

TRIGger:{A|B}:LEVel:CH<x>

This command sets or queries the CH<x> trigger level for TRIGGER:LVLSRCPREFERENCE SRCDEPENDENT mode.

The CH<x> range is 1 to 4.

Group Trigger

Syntax TRIGger:{A|B}:LEVel:CH<x> {ECL|TTL|<NR3>}
TRIGger:{A|B}:LEVel:CH<x>?

Arguments ECL specifies the ECL high level.
 TTL specifies the TTL high level.
 <NR3> specifies the trigger level in user units (usually volts).

Examples TRIGGER:A:LEVEL:CH1 TTL sets the A trigger level for Channel 1 to the TTL high level.
 TRIGGER:A:LEVEL:CH2? might return :TRIGGER:A:LEVEL:CH2 1.3000E+00, indicating that the A trigger level for Channel 2 is set to 1.3 V.

TRIGger:{A|B}:LOGic:CLAss

This command sets or queries the class of the Logic Trigger. Used in conjunction with the [TRIGger:A:TYPe](#) command, this command is equivalent to selecting Logic Pattern, Logic State or Setup/Hold Setup from the Trig menu.

Group Trigger

Syntax TRIGger:{A|B}:LOGic:CLAss {PATtern|STATE|SETHold}
 TRIGger:{A|B}:LOGic:CLAss?

Related Commands [TRIGger:A:TYPe](#), [TRIGger:{A|B}:PULse:CLAss](#)

Arguments PATtern sets the instrument to trigger when the specified logical combinations of Channels 1, 2, 3, and 4 are met.
 STATE sets the instrument to trigger when the specified conditions of Channels 1, 2, and 3 are met after the Channel 4 (clock) condition is met.
 SETHold sets the instrument to trigger on setup and hold violations between a data source and a clock source. Use one channel input as the clock signal and a second channel input as the data input. The clocking and data levels are used to determine if a clock or data transition has occurred.

Examples TRIGGER:A:LOGIC:CLASS PATTERN sets the trigger A logic class to PATtern, which causes the instrument to trigger when the specified logical combinations of Channels 1, 2, 3, and 4 are met.
 TRIGGER:A:LOGIC:CLASS? might return :TRIGGER:A:LOGIC:CLASS PATTERN, indicating that the A trigger level for channel 2 is set to PATTERN, which causes the instrument to trigger when the specified logical combinations of Channels 1, 2, 3, and 4 are met.

TRIGger:{A|B}:LOGIc:FUNcTION

This command sets or queries the logical combination of the input channels for the pattern and state logic triggers. This command is equivalent to selecting Event Trigger Setup from the Trig menu, selecting Pattern or State for the Trigger Type, and setting or viewing the Pattern Type.

Group Trigger

Syntax TRIGger:{A|B}:LOGIc:FUNcTION {AND|NAND|NOR|OR}
TRIGger:{A|B}:LOGIc:FUNcTION?

Related Commands [TRIGger:{A|B}:LOGIc:PATtern:WHEn](#), [TRIGger:{A|B}:LOGIc:INPut:CH<x>](#), [TRIGger:{A|B}:LOGIc:THReshold:CH<x>](#)

Arguments AND specifies to trigger if all conditions are true.
NAND specifies to trigger if any of the conditions are false.
NOR specifies to trigger if all conditions are false.
OR specifies to trigger if any of the conditions are true.

Examples TRIGGER:A:LOGIC:FUNCTION AND sets the logical combination of channels to be true when all conditions are true.
TRIGGER:A:LOGIC:FUNCTION? might return :TRIGGER:A:LOGIC:FUNCTION NAND, indicating that the instrument will trigger if the AND logic conditions are false.

TRIGger:{A|B}:LOGIc:INPut? (Query Only)

This query-only command returns the logic trigger input expected for Channel 1, 2, and 3. Channel 4 is set or queried with the command [TRIGger:{A|B}:LOGIc:PATtern:INPut:CH<x>](#).

This command is equivalent to selecting Event Trigger Setup and viewing or setting the Input Threshold for the channels.

Group Trigger

Syntax TRIGger:{A|B}:LOGIc:INPut?

Related Commands [TRIGger:{A|B}:LOGic:PATtern:INPut:CH<x>](#)

Examples TRIGGER:A:LOGIC:INPUT? might return :TRIGGER:A:LOGIC:INPUT:CH1 HIGH;CH2 X;CH3 X, indicating that a logic high is expected on Channel 1 while Channel 2 and Channel 3 are “don’t care.”

TRIGger:{A|B}:LOGic:INPut:CH<x>

This command sets or queries the A logical input for the logic trigger channel specified by x. The value of x ranges from 1 through 3. Note that CH4 cannot be set or queried with this command. For details about setting this channel, see [TRIGger:{A|B}:LOGic:PATtern:INPut:CH<x>](#). This command is equivalent to selecting Event Trigger Setup from the Trig menu and then choosing the desired logical input from the Ch<x> drop-down list, which is located in the Input Threshold group box.

Group Trigger

Syntax TRIGger:{A|B}:LOGic:INPut:CH<x> {HIGH|LOW|X}
TRIGger:{A|B}:LOGic:INPut:CH<x>?

Related Commands [TRIGger:{A|B}:LOGic:PATtern:INPut:CH<x>](#)

Arguments HIGH specifies the logic high.
LOW specifies the logic low.
X specifies a “don’t care” state.

Examples TRIGGER:A:LOGIC:INPUT:CH2 HIGH sets the A logic trigger input to logic HIGH for Channel 2.
TRIGGER:A:LOGIC:INPUT:CH1? might return :TRIGGER:LOGIC:INPUT:CH1 X, indicating that the setting for the A logic trigger input to Channel 1 does not matter.

TRIGger:{A|B}:LOGic:PATtern? (Query Only)

This query-only command returns the conditions used for generating an A logic pattern trigger, with respect to the defined input pattern, and identifies the

maximum and minimum time that the selected pattern may be true and still generate the trigger. This command is equivalent to selecting Logic Pattern from the Trig menu and then viewing the current setups.

Group Trigger

Syntax TRIGger:{A|B}:LOGIc:PATtern?

Related Commands [TRIGger:{A|B}:LOGIc:PATtern:INPut:CH<x>](#), [TRIGger:{A|B}:LOGIc:PATtern:WHEn](#), [TRIGger:{A|B}:LOGIc:PATtern:WHEn:LESSLimit](#), [TRIGger:{A|B}:LOGIc:PATtern:WHEn:MORELimit](#)

Examples TRIGGER:A:LOGIC:PATTERN? might return
 :TRIGGER:A:LOGIC:PATTERN:INPUT:CH4 X;
 :TRIGGER:A:LOGIC:PATTERN:WHEN TRUE; WHEN:LESSLIMIT
 5.0000E-9;MORELIMIT 5.0000E-9.

TRIGger:{A|B}:LOGIc:PATtern:INPut:CH<x>

This command sets or queries the A or B logic trigger input for the specified channel. This command specifies the logic value used when the pattern trigger detects the threshold level.

This command is equivalent to selecting Logic Pattern from the Trig menu and then choosing the desired logical input from the channel drop-down list, which is located in the Input Threshold group box.

Group Trigger

Syntax TRIGger:{A|B}:LOGIc:PATtern:INPut:CH<x> {HIGH|LOW|X}
 TRIGger:{A|B}:LOGIc:PATtern:INPut:CH<x>?

Related Commands [TRIGger:{A|B}:LOGIc:FUNcTion](#), [TRIGger:{A|B}:LOGIc:INPut:CH<x>](#), [TRIGger:{A|B}:LOGIc:THREshold:CH<x>](#)

Arguments HIGH specifies the logic high.
 LOW specifies the logic low.
 X specifies a “do not care” state.

Examples TRIGGER:A:LOGIC:PATTERN:INPUT:CH4 HIGH This command sets the A logic trigger input to logic high for Channel 4 when the logic class is set to PATTERN. When the threshold level is detected, High places a 1 on the Channel 4 input to the selected function.

TRIGGER:A:LOGIC:PATTERN:INPUT:CH4? might return
:TRIGGER:A:LOGIC:PATTERN:INPUT:CH4 HIGH, indicating that the logic input for Channel 4 is logic high.

TRIGger:{A|B}:LOGIc:PATtern:WHEn

This command sets or queries the condition for generating an A or B logic pattern trigger with respect to the defined input pattern. This command is equivalent to selecting A or B Event (Main) Trigger Setup from the Trig menu, selecting Pattern for Trigger Type, and choosing a trigger condition from the Pattern drop-down list, which is located in the Trigger When group box.

Group Trigger

Syntax TRIGger:{A|B}:LOGIc:PATtern:WHEn
{TRUE|FALSE|LESSThan|MOREThan}
TRIGger:{A|B}:LOGIc:PATtern:WHEn?

Related Commands TRIGger:{A|B}:LOGIc:FUNcTION, TRIGger:{A|B}:LOGIc:INPut?, TRIGger:{A|B}:LOGIc:THReshold?, TRIGger:{A|B}:LOGIc:PATtern:WHEn:LESSLimit, TRIGger:{A|B}:LOGIc:PATtern:WHEn:MORELimit

Arguments TRUE sets the instrument to trigger when the pattern becomes true.
FALSE sets the instrument to trigger when the pattern becomes false.
LESSThan sets the instrument to trigger if the specific pattern is true less than the time set by the TRIGger:{A|B}:LOGIc:PATtern:WHEn:LESSLimit command.
MOREThan argument sets the instrument to trigger if the specific pattern is true longer than the specified time set by the TRIGger:{A|B}:LOGIc:PATtern:WHEn:MORELimit command.

Examples TRIGGER:A:LOGIC:PATTERN:WHEN FALSE specifies to trigger the A logic pattern when the pattern becomes false.

TRIGGER:A:LOGIC:PATTERN:WHEN? might return
:TRIGGER:A:LOGIC:PATTERN:WHEN TRUE, indicating that the A logic pattern will trigger when the pattern becomes true.

TRIGger:{A|B}:LOGIc:PATtern:WHEn:LESSLimit

This command sets or queries the maximum time that the selected pattern may be true and still generate an A or B logic pattern trigger. This command is equivalent to selecting the A or B Event (Main) Trigger Setup from the Trig menu, selecting Pattern as the Trigger Type, selecting Less Than for the Pattern in the Trigger When settings, and entering a maximum value for Time.

Group Trigger

Syntax TRIGger:{A|B}:LOGIc:PATtern:WHEn:LESSLimit <NR3>
TRIGger:{A|B}:LOGIc:PATtern:WHEn:LESSLimit?

Related Commands [TRIGger:{A|B}:LOGIc:PATtern:WHEn:MORELimit](#)

Arguments <NR3> specifies the amount of time to hold the pattern true.

Examples TRIGGER:A:LOGIC:PATTERN:WHEN:LESSLIMIT 10.0E+00 sets the maximum time that the selected pattern may hold true (and generate an A logic pattern trigger) to 10 s.

TRIGGER:A:LOGIC:PATTERN:WHEN:LESSLIMIT? might return
:TRIGGER:A:LOGIC:PATTERN:WHEN:LESSLIMIT 5.0000E-09, indicating that the selected pattern may hold true for up to 5 ns and still generate an A logic pattern trigger.

TRIGger:{A|B}:LOGIc:PATtern:WHEn:MORELimit

This command sets or queries the minimum time that the selected pattern may be true and still generate an A or B logic pattern trigger. This command is equivalent to selecting A or B Event (Main) Trigger Setup from the Trig menu, selecting Pattern as the Trigger Type, selecting More Than for the Pattern in the Trigger When settings, and entering a minimum value for Time.

Group Trigger

Syntax TRIGger:{A|B}:LOGIc:PATtern:WHEn:MORELimit <NR3>
TRIGger:{A|B}:LOGIc:PATtern:WHEn:MORELimit?

Related Commands [TRIGger:{A|B}:LOGIc:PATtern:WHEn:LESSLimit](#)

Arguments <NR3> specifies the amount of time to hold the pattern true.

Examples TRIGGER:A:LOGIC:PATTERN:WHEN:MORELIMIT 10.0E+00 sets the minimum time that the selected pattern may hold true (and generate an A logic pattern trigger) to 10 s.

TRIGGER:A:LOGIC:PATTERN:WHEN:MORELIMIT? might return
:TRIGGER:A:LOGIC:PATTERN:WHEN:MORELIMIT 5.0000E-09, indicating that the selected pattern must hold true for at least 5 ns to generate an A logic pattern trigger.

TRIGger:{A|B}:LOGIc:SETHold? (Query Only)

This query-only command returns the clock edge polarity, voltage threshold and source input; data voltage threshold and source; and both setup and hold times for setup and hold violation triggering. This command is equivalent to selecting Setup/Hold Setup from the Trig menu and then viewing the current setups.

Group Trigger

Syntax TRIGger:{A|B}:LOGIc:SETHo]d?

Related Commands [TRIGger:{A|B}:LOGIc:PATtern?](#), [TRIGger:{A|B}:LOGIc:STATE?](#)

Examples TRIGGER:A:LOGIC:SETHOLD? might return the settings
:TRIGGER:A:LOGIC:SETHOLD:CLOCK:EDGE RISE; THRESHOLD
1.4000;THRESHOLD:CH1 1.4000;CH2 1.2000;CH3 1.2000;CH4
1.2000;;TRIGGER:A:LOGIC:SETHOLD:CLOCK:SOURCE
CH2;;TRIGGER:A:LOGIC:SETHOLD:DATA:THRESHOLD
1.4000;THRESHOLD: CH1 1.4000;CH2 1.2000;CH3 1.2000;CH4
1.2000;;TRIGGER:A:LOGIC:SETHOLD :HOLDTIME 2.0000E-9;SETTIME
3.0000E-9;QUALIFY OCCURS.

TRIGger:{A|B}:LOGIc:SETHold:CLOCK? (Query Only)

This query-only command returns the clock edge polarity, voltage threshold and source input for setup and hold triggering. This command is equivalent to selecting Setup/Hold Setup from the Trig menu and then viewing the current clock setups.

Group Trigger

Syntax TRIGger:{A|B}:LOGIC:SETHoId:CLOCK?

Related Commands TRIGger:{A|B}:LOGIC:SETHold:DATA?, TRIGger:{A|B}:LOGIC:SETHold:CLOCK:EDGE, TRIGger:{A|B}:LOGIC:SETHold:CLOCK:THREshold, TRIGger:{A|B}:LOGIC:SETHold:CLOCK:SOURce

Examples TRIGGER:A:LOGIC:SETHOLD:CLOCK? might return
:TRIGGER:A:LOGIC:SETHoId:CLOCK:EDGE RISE; THRESHOLD
1.4000;SOURCE CH2 indicating the current clock settings for setup and hold triggering.

TRIGger:{A|B}:LOGIC:SETHold:CLOCK:EDGE

This command sets or queries the clock edge polarity for setup and hold triggering. This is equivalent to selecting Setup/Hold Setup from the Trig menu and then choosing the desired Clock Edge.

Group Trigger

Syntax TRIGger:{A|B}:LOGIC:SETHoId:CLOCK:EDGE {FALL|RISe}
TRIGger:{A|B}:LOGIC:SETHoId:CLOCK:EDGE?

Related Commands TRIGger:{A|B}:LOGIC:SETHold:CLOCK:SOURce, TRIGger:{A|B}:LOGIC:SETHold:CLOCK:THREshold

Arguments FALL specifies polarity as the clock falling edge.
RISe specifies polarity as the clock rising edge.

Examples TRIGGER:A:LOGIC:SETHOLD:CLOCK:EDGE RISE specifies the polarity as the clock rising edge.

TRIGGER:A:LOGIC:SETHOLD:CLOCK:EDGE? might return
:TRIGGER:A:LOGIC:SETHOLD:CLOCK:EDGE RISE, indicating that polarity is specified as the clock rising edge.

TRIGger:{A|B}:LOGIC:SETHold:CLOCK:SOURce

This command sets or queries the clock source for the A or B logic trigger setup and hold input. This is equivalent to selecting Setup/Hold Setup from the Trig menu and choosing the desired channel from the Clock Source drop-down list.

Group	Trigger
Syntax	<pre>TRIGger:{A B}:LOGIC:SETHold:CLOCK:SOUrce CH<x> TRIGger:{A B}:LOGIC:SETHold:CLOCK:SOUrce?</pre>
Related Commands	TRIGger:{A B}:LOGIC:SETHold:CLOCK:EDGE , TRIGger:{A B}:LOGIC:SETHold:CLOCK:THReshold
Arguments	CH<x> specifies the input channel, which ranges from 1 through 4 for four-channel instruments or 1 through 2 for two channel instruments.
Examples	<p>TRIGGER:A:LOGIC:SETHOLD:CLOCK:SOURCE CH1 specifies channel 1 as the A logic setup and hold input.</p> <p>TRIGGER:A:LOGIC:SETHOLD:CLOCK:SOURCE? might return :TRIGGER:A:LOGIC:SETHOLD:CLOCK:SOURCE CH4, indicating that channel 4 is the clock source for the setup and hold input. For the A logic trigger.</p>

TRIGger:{A|B}:LOGIC:SETHold:CLOCK:THReshold

This command sets or queries the clock voltage threshold for the setup and hold trigger. This command is equivalent to selecting Setup/Hold Setup from the Trig menu and setting the desired Clock Level.

Group	Trigger
Syntax	<pre>TRIGger:{A B}:LOGIC:SETHold:CLOCK:THReshold {ECL TTL <NR3>} TRIGger:{A B}:LOGIC:SETHold:CLOCK:THReshold?</pre>
Related Commands	TRIGger:{A B}:LOGIC:SETHold:CLOCK:EDGE , TRIGger:{A B}:LOGIC:SETHold:CLOCK:SOUrce
Arguments	<p>ECL specifies a preset ECL high level.</p> <p>TTL specifies a preset TTL high level.</p> <p><NR3> is the clock level, in volts.</p>
Examples	<p>TRIGGER:A:LOGIC:SETHOLD:CLOCK:THRESHOLD TTL specifies the preset TTL value as the clock threshold for the setup and hold trigger.</p>

TRIGGER:A:LOGIC:SETHOLD:CLOCK:THRESHOLD? might return
:TRIGGER:A:LOGIC:SETHOLD:CLOCK:THRESHOLD 1.2000E+00, indicating
that the clock threshold for the setup and hold trigger is 1.2 V.

TRIGger:{A|B}:LOGIc:SETHold:CLOCK:THReshold:CH<x>

This command sets or queries the clock voltage threshold for setup and hold trigger. This command is equivalent to selecting Setup/Hold Setup from the Trig menu and then setting the desired Clock Level. The value of x can range from 1 through 4.

Group Trigger

Syntax TRIGger:{A|B}:LOGIc:SETHold:CLOCK:THReshold:CH<x>
{ECL|TTL|<NR3>}
TRIGger:{A|B}:LOGIc:SETHold:CLOCK:THReshold:CH<x>?

Related Commands [TRIGger:{A|B}:LOGIc:SETHold:CLOCK:EDGE](#), [TRIGger:{A|B}:LOGIc:SETHold:CLOCK:SOUrce](#)

Arguments ECL specifies a preset ECL high level.
TTL specifies a preset TTL high level.
<NR3> is the clock level, in volts.

Examples TRIGGER:A:LOGIC:SETHOLD:CLOCK:THRESHOLD: CH3 TTL specifies the
preset TTL value as the clock threshold for setup and hold trigger for Channel 3.
TRIGGER:A:LOGIC:SETHOLD:CLOCK:THRESHOLD: CH3? might return
:TRIGGER:A:LOGIC:SETHOLD:CLOCK:THRESHOLD: CH3 1.2000E+00,
indicating that the clock threshold for setup and hold trigger is 1.2 V for Channel 3.

TRIGger:{A|B}:LOGIc:SETHold:DATA? (Query Only)

This query-only command returns the voltage threshold and data source for the setup and hold trigger. This command is equivalent to selecting Setup/Hold Setup from the Trig menu and then viewing the current data setups.

Group Trigger

Syntax TRIGger:{A|B}:LOGIc:SETHold:DATA?

Related Commands [TRIGger:{A|B}:LOGic:SETHold:CLOCK?](#)

Examples TRIGGER:A:LOGIC:SETHOLD:DATA? might return
:TRIGGER:A:LOGIC:SETHOLD:DATA:THRESHOLD 1.4000;SOURCE CH1,
indicating the current trigger data settings.

TRIGger:{A|B}:LOGic:SETHold:DATa:SOUrce

This command sets or queries the data source for the setup and hold trigger. This command is equivalent to selecting Setup/Hold Setup from the Trig menu and choosing the desired channel from the Data Source drop-down list.

Group Trigger

Syntax TRIGger:{A|B}:LOGic:SETHold:DATa:SOUrce CH<x>
TRIGger:{A|B}:LOGic:SETHold:DATa:SOUrce?

Related Commands [TRIGger:{A|B}:LOGic:SETHold:DATa:THReshold](#)

Arguments CH<x> specifies the input channel, which ranges from 1 through 4.

Examples TRIGGER:A:LOGIC:SETHOLD:DATA:SOURCE CH1 sets channel 1 as the clock source for the setup and hold trigger.

TRIGGER:A:LOGIC:SETHOLD:DATA:SOURCE? might return
:TRIGGER:A:LOGIC:SETHOLD:DATA:SOURCE CH2 indicating that Channel 2 is the current clock source for the setup and hold trigger.

TRIGger:{A|B}:LOGic:SETHold:DATa:THReshold

This command sets or queries the data voltage threshold for setup and hold trigger. This command is equivalent to selecting Setup/Hold Setup from the Trig menu and then setting the desired Data Level.

Group Trigger

Syntax TRIGger:{A|B}:LOGic:SETHold:DATa:THReshold {ECL|TTL|<NR3>}
TRIGger:{A|B}:LOGic:SETHold:DATa:THReshold?

Related Commands [TRIGger:{A|B}:LOGIc:SETHold:DATA:SOUrce](#)

Arguments ECL specifies the preset ECL high level.
TTL specifies the preset TTL high level.
<NR3> is the setup and hold data level, in V.

Examples TRIGGER:A:LOGIC:SETHOLD:DATA:THRESHOLD TTL specifies the preset TTL high level as the current data voltage level for the setup and hold trigger.
TRIGGER:A:LOGIC:SETHOLD:DATA:THRESHOLD? might return :TRIGGER:A:LOGIC:SETHOLD:DATA:THRESHOLD 1.2000E+00, indicating that 1.2 V is the current data voltage level for the setup and hold trigger.

TRIGger:{A|B}:LOGIc:SETHold:DATA:THReshold:CH<x>

This command sets or queries the data voltage threshold for setup and hold trigger.

This command is equivalent to selecting A or B Event Trigger Setup from the Trig menu and then setting the desired Data Level. The value of x can range from 1 through 4.

Group Trigger

Syntax TRIGger:{A|B}:LOGIc:SETHold:DATA:THReshold:CH<x>
{ECL|TTL|<NR3>}
TRIGger:{A|B}:LOGIc:SETHold:DATA:THReshold:CH<x>?

Related Commands [TRIGger:{A|B}:LOGIc:SETHold:DATA:THReshold:CH<x>](#)

Arguments ECL specifies the preset ECL high level.
TTL specifies the preset TTL high level.
<NR3> is the setup and hold data level, in V.

Examples TRIGGER:A:LOGIC:SETHOLD:DATA:THRESHOLD:CH2 TTL specifies the preset TTL high level as the current data voltage level for setup and hold trigger for Channel 2.
TRIGGER:A:LOGIC:SETHOLD:DATA:THRESHOLD:CH2? might return :TRIGGER:A:LOGIC:SETHOLD:DATA:THRESHOLD:CH2 1.2000E+00, indicating that 1.2 V is the current data voltage level for setup and hold trigger for Channel 2.

TRIGger:{A|B}:LOGIc:SETHold:HOLDTime

This command sets or queries the hold time for setup and hold violation triggering. This command is equivalent to selecting Setup/Hold Setup from the Trig menu and then setting the desired Hold Time.

Group Trigger

Syntax TRIGger:{A|B}:LOGIC:SETHold:HOLDTime <NR3>
TRIGger:{A|B}:LOGIC:SETHold:HOLDTime?

Related Commands [TRIGger:{A|B}:LOGIC:SETHold:SETTime](#)

Arguments <NR3> specifies the hold time setting in seconds. Positive values for hold time occur after the clock edge. Negative values occur before the clock edge.

Examples TRIGGER:A:LOGIC:SETHOLD:HOLDTIME 3.0E-3 sets the hold time for the setup and hold trigger to 3 ms.

TRIGGER:A:LOGIC:SETHOLD:HOLDTIME? might return
:TRIGGER:A:LOGIC:SETHOLD:HOLDTIME 2.0000E-09, indicating that the current hold time for the setup and hold trigger is 2 ns.

TRIGger:{A|B}:LOGIc:SETHold:QUALify

This command sets or queries the Setup/Hold Trigger qualification. This is equivalent to selecting Setup/Hold Setup from the Trig menu and selecting Occurs or Logic in the Trigger if Setup/Hold drop-down list box.

NOTE. *If you use the LOGIC argument, you must specify the channel logic conditions.*

Group Trigger

Syntax TRIGger:{A|B}:LOGIC:SETHold:QUALify {OCCurs|LOGIC}
TRIGger:{A|B}:LOGIC:SETHold:QUALify?

- Arguments** OCCurs specifies a trigger if any detectable event occurs.
- LOGIC specifies a trigger if the individual channel qualifications meet the logic patterns and thresholds set by the [TRIGger:{A|B}:LOGIc:INPut:CH<x>](#) commands.
- Examples** TRIGGER:A:LOGIC:SETHOLD:QUALIFY OCCURS sets the trigger qualifier to OCCurs, which initiates a trigger if the instrument detects any setup and hold trigger qualifications.
- TRIGGER:A:LOGIC:SETHOLD:QUALIFY? might return
:TRIGGER:A:LOGIC:SETHOLD:QUALIFY OCCURS, indicating that a trigger will occur if the instrument detects any of the setup and hold qualifications.

TRIGger:{A|B}:LOGIc:SETHold:SETTime

This command sets or queries the setup time for setup and hold violation triggering. This command is equivalent to selecting Setup/Hold Setup from the Trig menu and then setting the desired Setup Time.

- Group** Trigger
- Syntax** TRIGger:{A|B}:LOGIc:SETHold:SETTime <NR3>
TRIGger:{A|B}:LOGIc:SETHold:SETTime?
- Related Commands** [TRIGger:{A|B}:LOGIc:SETHold:HOLDTime](#)
- Arguments** <NR3> specifies the setup time for setup and hold violation triggering.
- Examples** TRIGGER:A:LOGIC:SETHOLD:SETTIME 3.0E-6 specifies that the current setup time for setup and hold trigger is 3 μ s.
- TRIGGER:A:LOGIC:SETHOLD:SETTIME? might return
:TRIGGER:A:LOGIC:SETHOLD:SETTIME 2.0000E-09, indicating that the current setup time for setup and hold trigger is 2 ns.

TRIGger:{A|B}:LOGIc:STATE? (Query Only)

This query-only command returns the data input and trigger criteria for the logic trigger. This command is equivalent to selecting Logic State from the Trig menu and then viewing the current logic state settings.

Group	Trigger
Syntax	TRIGger:{A B}:LOGIC:STATE?
Related Commands	TRIGger:{A B}:LOGIC:STATE:INPut:CH<x>, TRIGger:{A B}:LOGIC:STATE:WHEn
Examples	TRIGGER:A:LOGIC:STATE? might return :TRIGGER:A:LOGIC:STATE:INPUT:CH4 RISE; :TRIGGER:A:LOGIC:STATE:WHEN TRUE.

TRIGger:{A|B}:LOGIC:STATE:INPut:CH<x>

This command sets or queries the slope for the channel specified by x when the logic class is set to STATE. This command is equivalent to selecting Logic State from the Trig menu and then choosing the desired channel input (NEG or POS) from the Ch drop-down list.

Group	Trigger
Syntax	TRIGger:{A B}:LOGIC:STATE:INPut:CH<x> {FALL RISe} TRIGger:{A B}:LOGIC:STATE:INPut:CH<x>?
Related Commands	TRIGger:{A B}:LOGIC:STATE:WHEn
Arguments	FALL specifies the falling edge. RISE specifies the rising edge.
Examples	TRIGGER:A:LOGIC:STATE:INPUT:CH4 RISE specifies that the A logic trigger input for Channel 4 is the rising edge. TRIGGER:A:LOGIC:STATE:INPUT:CH4? might return :TRIGGER:A:LOGIC:STATE:INPUT:CH4 RISE, indicating that the A logic trigger input for Channel 4 is the rising edge.

TRIGger:{A|B}:LOGIc:STATE:WHEn

This command sets or queries the condition for generating an A or B logic state trigger. This command is equivalent to selecting Logic State from the Trig menu and choosing the desired condition from the Trigger When Pattern drop-down list.

Group Trigger

Syntax TRIGger:{A|B}:LOGIc:STATE:WHEn {TRUE|FALSE}
TRIGger:{A|B}:LOGIc:STATE:WHEn?

Related Commands [TRIGger:{A|B}:LOGIc:INPut:CH<x>](#), [TRIGger:{A|B}:LOGIc:STATE:INPut:CH<x>](#)

Arguments TRUE specifies that the trigger occurs when the clock transition on channel 4 occurs and the pattern of channels 1-3 are at the desired logic input states.
FALSE specifies that the trigger occurs when the desired clock transition on channel 4 occurs and the desired logic input states on channels 1-3 are not found.

Examples TRIGGER:A:LOGIC:STATE:WHEN TRUE specifies that the logic condition to trigger upon is true.
TRIGGER:A:LOGIC:STATE:WHEN? might return
:TRIGGER:A:LOGIC:STATE:WHEN FALSE, indicating that the logic condition to trigger upon is false.

TRIGger:{A|B}:LOGIc:THReshold? (Query Only)

This query-only command returns the threshold voltage for all channels in a logic trigger. This command query is equivalent to selecting Event Trigger Setup from the Trig menu, choosing a logic trigger type, such as State or Pattern, and viewing the current Input Threshold voltage settings.

Group Trigger

Syntax TRIGger:{A|B}:LOGIc:THReshold?

Related Commands [TRIGger:{A|B}:LOGIc:THReshold:CH<x>](#), [TRIGger:{A|B}:LOGIc:INPut?](#), [TRIGger:{A|B}:LOGIc:INPut:CH<x>](#)

Examples TRIGGER:A:LOGIC:THRESHOLD? might return
 :TRIGGER:A:LOGIC:THRESHOLD CH1 24.0000E-03; CH2
 1.2000E+00;CH3 1.2000E+00; CH4 1.2000E+00, indicating the threshold
 voltages for the channels in an A logic trigger are as follows: channel 1 = 24 mV;
 channel 2 = 1.2 V; channel 3 = 1.2 V; channel 4 = 1.2 V.

TRIGger:{A|B}:LOGIc:THReshold:CH<x>

This command sets or queries the A or B logic trigger threshold voltage for the channel, specified by x, which ranges from 1 through 4. This command is equivalent to selecting A or B Event Trigger Setup from the Trig menu, choosing a logic trigger type, such as State or Pattern, and setting the Input Threshold voltage for the desired channel.

Group Trigger

Syntax TRIGger:{A|B}:LOGIC:THResho]d:CH<x> <NR3>
 TRIGger:{A|B}:LOGIC:THResho]d:CH<x>?

Related Commands [TRIGger:{A|B}:LOGIc:INPut?](#)

Arguments <NR3> specifies the threshold voltage.

Examples TRIGGER:A:LOGIC:THRESHOLD:CH2 3.0E-3 sets the A logic trigger threshold voltage for Channel 2 to 3 mV.

TRIGGER:A:LOGIC:THRESHOLD:CH3? might return
 :TRIGGER:A:LOGIC:THRESHOLD:CH3 1.2000E+00, indicating that the A
 logic trigger threshold voltage for Channel 3 is 1.2 V.

TRIGger:{A|B}:LOWerthreshold:CH<x>

This command sets or queries the A or B lower trigger level for TRIGger:LVLsrcpreference [TRIGger:LVLsrcpreference](#) SRCDependent or SRCIndependent modes for the channel, specified by x, which ranges from 1 through 4.

Group Trigger

Syntax TRIGger:{A|B}:LOWerthresho]d:CH<x> {ECL|TTL|<NR3>}
 TRIGger:{A|B}:LOWerthresho]d:CH<x>?

Related Commands [TRIGger:LVLSrcpreference](#), [TRIGger:{A|B}:UPPerthreshold:CH<x>](#)

Arguments ECL specifies the preset ECL high level.
TTL specifies the preset TTL high level.
<NR3> specifies the threshold voltage in user units.

Examples TRIGGER:A:LOWERTHRESHOLD:CH2 TTL sets the A trigger threshold voltage for Channel 2 to the TTL low level.
TRIGGER:A:LOWERTHRESHOLD:CH3? might return
:TRIGGER:A:LOWERTHRESHOLD:CH3 1.2000E+00, indicating that the A trigger threshold voltage for Channel 3 is 1.2 V.

TRIGger:{A|B}:PULse? (Query Only)

This query-only command returns the pulse trigger parameters.

Group Trigger

Syntax TRIGger:{A|B}:PULse?

Related Commands [TRIGger:{A|B}:EDGE?](#), [TRIGger:A:LOGic?](#)

Examples TRIGGER:A:PULSE? might return :TRIGGER:A:PULSE:CLASS
GLITCH;SOURCE CH1; GLITCH:WIDTH 2.0000E-9;TRIGIF
ACCEPT;POLARITY POSITIVE; POLARITY:CH1
POSITIVE;CH2 POSITIVE;CH3 POSITIVE;CH4
POSITIVE;; TRIGGER:A:PULSE:GLITCH:QUALIFY
OCCURS;; TRIGGER:A:PULSE:WINDOW:TYPE INSIDE;WHEN
OCCURS;WIDTH 2.0000E-9;; TRIGGER:A:PULSE:TRANSITION:DELTATIME
2.0000E-9;POLARITY POSITIVE;THRESHOLD:HIGH 1.2000;LOW
800.0000E-3;; TRIGGER:A:PULSE:TRANSITION:WHEN
SLOWERTHAN; :TRIGGER:A:PULSE:WIDTH:LOWLIMIT
2.0000E-9;HIGHLIMIT 2.0000E-9;WHEN WITHIN;POLARITY
POSITIVE;; TRIGGER:A:PULSE:TIMEOUT:POLARITY STAYSHIGH;TIME
2.0000E-9.

TRIGger:{A|B}:PULse:CLAss

This command sets or queries the type of pulse on which to trigger. This command is equivalent to selecting the setup menu for the pulse type that you want from the Trig menu: Glitch Setup, Width Setup, Runt Setup, Timeout Setup, or Transition Setup.

Group Trigger

Syntax TRIGger:{A|B}:PULse:CLAss {GLItch|RUNT|WIDTH|
TRANSITION|TIMEOut|WINDOW}
TRIGger:{A|B}:PULse:CLAss?

Related Commands TRIGger:{A|B}:PULse:GLItch?, TRIGger:{A|B}:PULse:RUNT?,
TRIGger:{A|B}:PULse:WIDTH?, TRIGger:{A|B}:PULse:TIMEOut?,
TRIGger:{A|B}:PULse:TRANSition?, TRIGger:A:TYPE

Arguments GLItch triggers when a pulse is found that is of the specified polarity and width. These are set with the commands TRIGger:{A|B}:PULse:GLItch:POLarity and TRIGger:{A|B}:PULse:GLItch:WIDTH.

RUNT triggers when a pulse crosses the first preset voltage threshold but does not cross the second preset threshold before recrossing the first. The thresholds are set with the TRIGger:{A|B}:PULse:RUNT:THReshold:LOW and TRIGger:{A|B}:PULse:RUNT:THReshold:HIGH commands.

WIDTH triggers when a pulse is found that has the specified polarity and is either inside or outside the limits as specified by TRIGger:{A|B}:PULse:WIDTH:LOWLimit and TRIGger:{A|B}:PULse:WIDTH:HIGHLimit. The polarity is selected using the TRIGger:{A|B}:PULse:WIDTH:POLarity command.

TRANSITION triggers when a pulse crosses both thresholds in the same direction as the specified polarity and the transition time between the two threshold crossings is greater or less than the specified time delta.

TIMEOut triggers when the pulse train stops in the selected state for longer than the specified time.

WINDOW triggers when a pulse is found that meets the conditions set by the A Event window trigger type, specified by the following commands: TRIGger:{A|B}:PULse:WINDOW:THReshold:HIGH, TRIGger:{A|B}:PULse:WINDOW:THReshold:LOW, TRIGger:{A|B}:PULse:WINDOW:THReshold:BOTH, and TRIGger:{A|B}:PULse:WINDOW:WIDTH

Examples TRIGGER:A:PULSE:CLASS WIDTH specifies a width pulse for the A trigger.
 TRIGGER:A:PULSE:CLASS? might return :TRIGGER:A:PULSE:CLASS GLITCH, indicating that a pulse was found that is of the specified polarity and width.

TRIGger:{A|B}:PULse:GLItch? (Query Only)

This query-only command returns the current glitch pulse trigger parameters. This command query is equivalent to selecting Glitch Setup from the Trig menu and viewing the current glitch trigger settings.

Group Trigger

Syntax TRIGger:{A|B}:PULse:GLItch?

Related Commands [TRIGger:{A|B}:PULse:GLItch:POLarity](#), [TRIGger:{A|B}:PULse:GLItch:TRIGIF](#), [TRIGger:{A|B}:PULse:GLItch:WIDTH](#)

Examples TRIGGER:A:PULSE:GLITCH? might return
 :TRIGGER:A:PULSE:GLITCH:WIDTH 2.0000E-09;
 FILTER ACCEPT;POLARITY POSITIVE.

TRIGger:{A|B}:PULse:GLItch:POLarity

This command sets or queries the polarity for A or B pulse glitch trigger. This command is equivalent to selecting Glitch Setup from the Trig menu and then choosing the desired Polarity.

Group Trigger

Syntax TRIGger:{A|B}:PULse:GLItch:POLarity
 {POSITIVE|NEGAtive|EITHer}
 TRIGger:{A|B}:PULse:GLItch:POLarity?

Related Commands [TRIGger:{A|B}:LEVel](#), [TRIGger:{A|B}:PULse:GLItch:WIDTH](#)

Arguments POSITIVE specifies that the instrument will only trigger when the polarity of the glitch is positive.

NEGative specifies that the instrument will only trigger when the polarity of the glitch is negative.

EITHer specifies that the instrument will trigger when the polarity of the glitch is either positive or negative.

Examples `TRIGGER:A:PULSE:GLITCH:POLARITY EITHER` specifies that the polarity of the glitch can be either positive or negative for the A trigger to occur.

`TRIGGER:A:PULSE:GLITCH:POLARITY?` might return
`:TRIGGER:A:PULSE:GLITCH:POLARITY POSITIVE`, indicating that the polarity of the glitch must be positive for the trigger to occur.

TRIGger:{A|B}:PULse:GLItch:POLarity:CH<x>

This command sets or queries the polarity for A or B pulse glitch trigger for the channel.

This command is equivalent to selecting Glitch Setup from the Trig menu and then choosing the desired Polarity.

Group Trigger

Syntax `TRIGger:{A|B}:PULse:GLItch:POLarity:CH<x>`
`{EITHer|NEGative|POSITIVE}`
`TRIGger:{A|B}:PULse:GLItch:POLarity:CH<x>?`

Related Commands [TRIGger:{A|B}:LEVel](#), [TRIGger:{A|B}:PULse:GLItch:WIDth](#)

Arguments **POSITIVE** specifies that the instrument will only trigger when the polarity of the glitch is positive.

NEGATIVE specifies that the instrument will only trigger when the polarity of the glitch is negative.

EITHer specifies that the instrument will trigger when the polarity of the glitch is either positive or negative.

Examples `TRIGGER:A:PULSE:GLITCH:POLARITY:CH2 EITHER` specifies that the polarity of the glitch can be either positive or negative for the Channel 2 trigger to occur.

`TRIGGER:A:PULSE:GLITCH:POLARITY:CH2?` might return
`:TRIGGER:A:PULSE:GLITCH:POLARITY:CH2 POSITIVE`, indicating that the polarity of the glitch must be positive for the Channel 2 trigger to occur.

TRIGger:{A|B}:PULse:GLItch:QUALify

This command sets or queries the Glitch Trigger qualification. This is equivalent to selecting Glitch Setup from the Trig menu and selecting Occurs or Logic in the Trigger if Glitch drop-down list box.

NOTE. *If you use the LOGIC argument, you must specify the channel logic conditions.*

Group Trigger

Syntax TRIGger:{A|B}:PULse:GLItch:QUALify {OCCurs|LOGIC}
 TRIGger:{A|B}:PULse:GLItch:QUALify?

Arguments OCCurs specifies a trigger if any detectable event occurs.
 LOGIC specifies a trigger if the individual channel qualifications meet the logic patterns and thresholds set by the TRIGger:{A|B}:LOGIC:INPUT:CH<x> and TRIGGER:{A|B}:LOGIC:THRESHOLD:CH<x> commands.

Examples TRIGGER:A:PULSE:GLITCH:QUALIFY OCCURS This command sets the trigger qualifier to OCCURS, which initiates a trigger if the instrument detects any glitch trigger qualifications.
 TRIGGER:A:PULSE:GLITCH:QUALIFY?, indicating that a trigger will occur if the instrument detects any of the glitch qualifications.

TRIGger:{A|B}:PULse:GLItch:TRIGIF

This command sets or queries the acceptance/rejection of the glitch pulse trigger, based on width. This command is equivalent to selecting Glitch Setup from the Trig menu and choosing the desired Trig if Width setting.

Group Trigger

Syntax TRIGger:{A|B}:PULse:GLItch:TRIGIF {ACCEpt|REJect}
 TRIGger:{A|B}:PULse:GLItch:TRIGIF?

Related Commands [TRIGger:{A|B}:PULse:GLItch:WIDth](#)

Arguments `ACCEpt` specifies that the instrument will only trigger on pulses that are narrower than the specified width, when the trigger type is set to glitch. The width is specified using the `TRIGger:{A|B}:PULse:GLItch:WIDth` command.

`REJect` specifies that the instrument will only trigger on pulses that are wider than the specified width, when the trigger type is set to glitch. The width is specified using the `TRIGger:{A|B}:PULse:GLItch:WIDth` command.

Examples `TRIGGER:A:PULSE:GLITCH:TRIGIF REJECT` specifies that the instrument triggers on pulses that are wider than the specified width.

`TRIGGER:A:PULSE:GLITCH:TRIGIF ACCEPT?` might return `:TRIGGER:A:PULSE:GLITCH:TRIGIF ACCEPT`, indicating that the instrument is set to trigger on pulses that are narrower than the specified width.

TRIGger:{A|B}:PULse:GLItch:WIDth

This command sets or queries the width for the glitch trigger. This command is equivalent to selecting Glitch Setup from the Trig menu and then setting the desired Width.

For information about using the width value, refer to the `TRIGger:{A|B}:PULse:GLItch:TRIGIF` command.

Group Trigger

Syntax `TRIGger:{A|B}:PULse:GLItch:WIDth <NR3>`
`TRIGger:{A|B}:PULse:GLItch:WIDth?`

Related Commands `TRIGger:{A|B}:LEVel`, `TRIGger:{A|B}:PULse:GLItch:TRIGIF`

Arguments `<NR3>` argument specifies the width of the glitch in seconds.

Examples `TRIGGER:A:PULSE:GLITCH:WIDTH 15E-6` sets the width of the glitch to 15 μ s.

`TRIGGER:A:PULSE:GLITCH:WIDTH?` might return `:TRIGGER:A:PULSE:GLITCH:WIDTH 2.0000E-09`, indicating that the width of the glitch is currently set at 2 ns.

TRIGger:{A|B}:PULse:RUNT? (Query Only)

This query-only command returns the current runt trigger parameters. This command query is equivalent to selecting Runt Setup from the Trig menu and then viewing the current settings.

Group Trigger

Syntax TRIGger:{A|B}:PULse:RUNT?

Related Commands [TRIGger:{A|B}:PULse:GLItch?](#), [TRIGger:{A|B}:PULse:TIMEOut?](#), [TRIGger:{A|B}:PULse:TRANsition?](#), [TRIGger:{A|B}:PULse:WIDTH?](#)

Examples TRIGGER:A:PULSE:RUNT? might return
:TRIGGER:A:PULSE:RUNT:POLARITY POSITIVE;POLARITY:CH1
POSITIVE;CH2 POSITIVE;CH3 POSITIVE;CH4
POSITIVE;;TRIGGER:A:PULSE:RUNT:THRESHOLD:HIGH 1.2000;LOW
800.0000E-3;;TRIGGER:A:PULSE:RUNT:WHEN OCCURS;WIDTH
500.0000E-12;QUALIFY OCCURS.

TRIGger:{A|B}:PULse:RUNT:POLarity

This command sets or queries the polarity for the A or B pulse runt trigger. This command is equivalent to selecting Runt Setup from the Trig menu and then choosing the Polarity setting.

Group Trigger

Syntax TRIGger:{A|B}:PULse:RUNT:POLarity {POSITIVE|NEGATIVE|EITHER}
TRIGger:{A|B}:PULse:RUNT:POLarity?

Related Commands [TRIGger:{A|B}:PULse:RUNT:THReshold?](#)

Arguments POSITIVE indicates that the rising edge crosses the low threshold and the falling edge recrosses the low threshold without either edge ever crossing the high threshold.

NEGATIVE indicates that the falling edge crosses the high threshold and the rising edge recrosses the high threshold without either edge ever crossing the low threshold.

EITHER indicates either negative or positive polarity.

Examples TRIGGER:A:PULSE:RUNT:POLARITY NEGATIVE sets the polarity of the A pulse runt trigger to negative.

TRIGGER:A:PULSE:RUNT:POLARITY? might return
:TRIGGER:A:PULSE:RUNT:POLARITY POSITIVE, indicating that the polarity of the A pulse runt trigger is set to positive.

TRIGger:{A|B}:PULse:RUNT:POLarity:CH<x>

This command sets or queries the polarity for the A or B pulse runt trigger for the channel.

This command is equivalent to selecting Runt Setup from the Trig menu and then choosing the Polarity setting for the channel.

Group Trigger

Syntax TRIGger:{A|B}:PULse:RUNT:POLarity:CH<x>
{EITHer|NEGAtive|POSITIve}
TRIGger:{A|B}:PULse:RUNT:POLarity:CH<x>?

Related Commands [TRIGger:{A|B}:PULse:RUNT:THReshold?](#)

Arguments POSITIVE indicates that the rising edge crosses the low threshold and the falling edge recrosses the low threshold without either edge ever crossing the high threshold.

NEGAtive indicates that the falling edge crosses the high threshold and the rising edge recrosses the high threshold without either edge ever crossing the low threshold.

EITHer indicates either negative or positive polarity.

Examples TRIGGER:A:PULSE:RUNT:POLARITY:CH3 NEGATIVE sets the polarity of the Channel 3 A pulse runt trigger to negative.

TRIGGER:A:PULSE:RUNT:POLARITY:CH3? might return
:TRIGGER:A:PULSE:RUNT:POLARITY:CH3 POSITIVE, indicating that the polarity of the A pulse runt trigger is set to positive.

TRIGger:{A|B}:PULse:RUNt:QUALify

This command sets or queries the Runt Trigger qualification. This is equivalent to selecting Runt Setup from the Trig menu and selecting Occurs or Logic in the Trigger if Runt drop-down list box.

NOTE. *If you use the LOGIC argument, you must specify the channel logic conditions.*

Group Trigger

Syntax TRIGger:{A|B}:PULse:RUNt:QUALify {OCCurs|LOGIC}
TRIGger:{A|B}:PULse:RUNt:QUALify?

Arguments OCCurs specifies a trigger if any detectable event occurs.
LOGIC specifies a trigger if the individual channel qualifications meet the logic patterns and thresholds set by the TRIGger:

Examples TRIGGER:A:PULSE:RUNt:QUALIFY OCCURS sets the A trigger to trigger if a qualifying runt occurs.
TRIGGER:A:PULSE:RUNt:QUALIFY? might return
:TRIGGER:A:PULSE:RUNt:QUALIFY OCCURS, indicating that a trigger will occur if the instrument detects any of the runt qualifications.

TRIGger:{A|B}:PULse:RUNt:THReshold? (Query Only)

This query-only command returns the upper and lower thresholds for the pulse runt trigger. This command query is equivalent to selecting Runt Setup from the Trig menu and then viewing the Upper Level and Lower Level settings.

Group Trigger

Syntax TRIGger:{A|B}:PULse:RUNt:THReshold?

Related Commands [TRIGger:{A|B}:PULse:RUNt:POLarity](#), [TRIGger:{A|B}:PULse:RUNt:THReshold:BOTH](#), [TRIGger:{A|B}:PULse:RUNt:THReshold:HIGh](#), [TRIGger:{A|B}:PULse:RUNt:THReshold:LOW](#)

Examples TRIGGER:A:PULSE:RUNT:THRESHOLD? might return
:TRIGGER:A:PULSE:THRESHOLD:HIGH 2.0000E+00; LOW 8.0000E-01,
indicating that the upper threshold is 2 V and that the lower threshold is set to 0.8 V.

TRIGger:{A|B}:PULse:RUNT:THReshold:BOTH (No Query Form)

This command (no query form) sets the upper and lower switching thresholds for the pulse runt trigger. This command is equivalent to selecting Runt Setup from the Trig menu and then setting the Upper Level and Lower Level voltages.

Group Trigger

Syntax TRIGger:{A|B}:PULse:RUNT:THResho1d:BOTH {TTL|ECL}

Related Commands [TRIGger:{A|B}:PULse:RUNT:THReshold?](#)

Arguments TTL sets the upper and lower threshold to the nominal TTL voltage levels.
ECL sets the upper and lower threshold to the nominal ECL voltage levels.

Examples TRIGGER:A:PULSE:RUNT:THRESHOLD:BOTH TTL sets the threshold of the pulse runt trigger to the nominal TTL voltage levels.

TRIGger:{A|B}:PULse:RUNT:THReshold:HIGH

This command sets or queries the upper limit for the pulse runt trigger. This command is equivalent to selecting Runt Setup from the Trig menu and setting the runt trigger Upper Level voltage.

Group Trigger

Syntax TRIGger:{A|B}:PULse:RUNT:THResho1d:HIGH <NR3>
TRIGger:{A|B}:PULse:RUNT:THResho1d:HIGH?

Related Commands [TRIGger:{A|B}:PULse:RUNT:THReshold?](#)

Arguments <NR3> specifies the threshold value, in volts.

Examples TRIGGER:A:PULSE:RUNT:THRESHOLD:HIGH 120E-3 sets the upper limit of the pulse runt trigger to 120 mV.

TRIGGER:A:PULSE:RUNT:THRESHOLD:HIGH? might return
:TRIGGER:A:PULSE:RUNT:THRESHOLD:HIGH 1.1000E+00, indicating that the upper limit of the pulse runt trigger is currently set to 1.1 V.

TRIGger:{A|B}:PULse:RUNT:THReshold:LOW

This command sets or queries the lower limit for the pulse runt trigger. This command is equivalent to selecting Runt Setup from the Trig menu and then setting the Lower Level voltage.

Group Trigger

Syntax TRIGger:{A|B}:PULse:RUNT:THResho]d:LOW <NR3>
TRIGger:{A|B}:PULse:RUNT:THResho]d:LOW?

Related Commands [TRIGger:{A|B}:PULse:RUNT:THReshold?](#)

Arguments <NR3> specifies the threshold value in volts.

Examples TRIGGER:A:PULSE:RUNT:THRESHOLD:LOW 50E-3 sets the lower limit of the pulse runt trigger to 50 mV.

TRIGGER:A:PULSE:RUNT:THRESHOLD:LOW? might return
:TRIGGER:A:PULSE:RUNT:THRESHOLD:LOW 1.2000E-01,
indicating that the lower limit of the pulse runt trigger is set to 120 mV.

TRIGger:{A|B}:PULse:RUNT:WHEn

This command sets or queries the type of pulse width the trigger checks for when it detects a runt. This is equivalent to selecting Runt Setup from the Trig menu and choosing the desired Trigger When setting from the drop-down list.

Group Trigger

Syntax TRIGger:{A|B}:PULse:RUNT:WHEn {OCCurs|WIDERthan}
TRIGger:{A|B}:PULse:RUNT:WHEn?

Related Commands	TRIGger:{A B}:PULse:RUNT:WIDth
Arguments	OCCURS argument specifies a trigger event if a runt of any detectable width occurs. WIDERThan specifies a trigger event if a runt greater than the specified width occurs.
Examples	TRIGGER:A:PULSE:RUNT:WHEN WIDERTHAN sets the runt trigger to occur when the instrument detects a runt in a pulse wider than the specified width. TRIGGER:A:PULSE:RUNT:WHEN? might return :TRIGGER:A:PULSE:RUNT:WHEN OCCURS, indicating that a runt trigger will occur if the instrument detects a runt of any detectable width.

TRIGger:{A|B}:PULse:RUNT:WIDth

This command sets or queries the minimum width for an Pulse Runt trigger. This command is equivalent to selecting Runt Setup from the Trig menu and then setting the Width.

Group	Trigger
Syntax	TRIGger:{A B}:PULse:RUNT:WIDth <NR3> TRIGger:{A B}:PULse:RUNT:WIDth?
Related Commands	TRIGger:{A B}:PULse:RUNT:WHEn
Arguments	<NR3> specifies the minimum width, in seconds.
Examples	TRIGGER:A:PULSE:RUNT:WIDTH 15E-6 sets the minimum width of the pulse runt trigger to 15 μ s. TRIGGER:A:PULSE:RUNT:WIDTH? might return :TRIGGER:A:PULSE:RUNT:WIDTH 2.0000E-09, indicating that the minimum width of a pulse runt trigger is 2 ns.

TRIGger:{A|B}:PULse:SOURce

This command sets or queries the source for the pulse trigger. This source parameter applies to all classes of pulse triggers. This command is equivalent to selecting Event Trigger Setup from the Trig menu, selecting the pulse type

(Glitch, Width, Runt, Timeout, or Transition), and then choosing the desired channel from the Source pull-down list.

Group Trigger

Syntax TRIGger:{A|B}:PULse:SOURce CH<x>
TRIGger:{A|B}:PULse:SOURce?

Related Commands [TRIGger:{A|B}:EDGE:SOURce](#)

Arguments CH<x> specifies one of the input channels, which range from 1 through 4.

Examples TRIGGER:A:PULSE:SOURCE CH4 sets Channel 4 as the source for the A pulse trigger.

TRIGGER:A:PULSE:SOURCE? might return :TRIGGER:A:PULSE:SOURCE CH2, indicating that the Channel 2 is the source for the A pulse trigger.

TRIGger:{A|B}:PULse:TIMEOut? (Query Only)

This query-only command returns the polarity and time-out duration for the pulse timeout trigger. This command is equivalent to selecting Timeout Setup from the Trig menu and viewing the polarity in the Trigger When box and the Timer setting.

Group Trigger

Syntax TRIGger:{A|B}:PULse:TIMEOut?

Related Commands [TRIGger:{A|B}:PULse:TIMEOut:POLarity](#), [TRIGger:{A|B}:PULse:TIMEOut:TIME](#)

Examples TRIGGER:A:PULSE:TIMEOUT? might return
:TRIGGER:A:PULSE:TIMEOUT:POLARITY STAYSHIGH;TIME
2.0000E-9, indicating that the polarity setting for the A pulse trigger is STAYSHIGH (positive) and the timeout duration is 2 ns.

TRIGger:{A|B}:PULse:TIMEOut:POLarity

This command sets or queries the polarity for the pulse timeout trigger. This command is equivalent to selecting Timeout Setup from the Trig menu and setting the desired polarity in the Trigger When box.

Group Trigger

Syntax TRIGger:{A|B}:PULse:TIMEOut:POLarity
{STAYSHigh|STAYSLow|EITHer}
TRIGger:{A|B}:PULse:TIMEOut:POLarity?

Related Commands [TRIGger:{A|B}:PULse:TIMEOut?](#)

Arguments STAYSHigh indicates that a pulse edge must stay high (positive) for the required time period to permit timeout triggering to occur. This is the default polarity.

STAYSLow indicates that a pulse edge must stay low (negative) for the required time period to permit timeout triggering to occur.

EITHer indicates that the polarity of the timeout trigger can stay either high or low (positive or negative) for the required time period to permit time out triggering to occur.

Examples TRIGGER:A:PULSE:TIMEOUT:POLARITY STAYSHIGH sets the polarity of the A timeout trigger to positive.

TRIGGER:A:PULSE:TIMEOUT:POLARITY? might return
:TRIGGER:A:PULSE:TIMEOUT:POLARITY EITHER, indicating that the polarity of the A timeout trigger can be either positive or negative.

TRIGger:{A|B}:PULse:TIMEOut:POLarity:CH<x>

This command sets or queries the polarity for the A or B pulse timeout trigger for the channel.

This command is equivalent to selecting Transition Setup from the Trig menu and then setting the desired Polarity for the channel.

Group Trigger

Syntax TRIGger:{A|B}:PULse:TIMEOut:POLarity:CH<x>
{STAYSHigh|STAYSLow|EITHer}
TRIGger:{A|B}:PULse:TIMEOut:POLarity:CH<x>?

Arguments	<p>STAYSHigh indicates that a pulse edge must stay high (positive) for the required time period to permit time out triggering to occur. This is the default polarity.</p> <p>STAYSLow indicates that a pulse edge must stay low (negative) for the required time period to permit time out triggering to occur.</p> <p>EITHer indicates that the polarity of the time out trigger can stay either high or low (positive or negative) for the required time period to permit time out triggering to occur.</p>
Examples	<p>TRIGGER:A:PULSE:TIMEOUT:POLARITY:CH1 STAYSHIGH sets the polarity of the A pulse time out trigger to positive for Channel 1.</p> <p>TRIGGER:A:PULSE:TIMEOUT:POLARITY:CH1? might return :TRIGGER:A:PULSE:TIMEOUT:POLARITY:CH1 EITHER, indicating that the polarity of the A pulse time out trigger for Channel 1 can be either positive or negative.</p>

TRIGger:{A|B}:PULse:TIMEOut:QUALify

This command sets or queries the Timeout Trigger qualification.

This is equivalent to selecting Timeout Setup from the Trig menu and selecting Occurs or Logic in the Trigger if Timeout drop-down list box.

NOTE. *If you use the LOGIC argument, you must specify the channel logic conditions.*

Group	Trigger
Syntax	<p>TRIGger:{A B}:PULse:TIMEOut:QUALify {OCCurs LOGIC} TRIGger:{A B}:PULse:TIMEOut:QUALify?</p>
Arguments	<p>OCCurs specifies a trigger if any detectable event occurs.</p> <p>LOGIC specifies a trigger if the individual channel qualifications meet the logic patterns and thresholds set by the TRIGger:{A B}:LOGIC:INPUT:C<x> and TRIGGER:{A B}:LOGIC:THRESHOLD:CH<x> commands.</p>
Examples	<p>TRIGGER:A:PULSE:TIMEOUT:QUALIFY OCCURS sets the trigger qualifier to OCCURS, which initiates a trigger if the instrument detects any timeout trigger qualifications.</p>

TRIGGER:A:PULSE:TIMEOUT:QUALIFY? might return
:TRIGGER:A:PULSE:TIMEOUT:QUALIFY OCCURS, indicating that a
trigger will occur if the instrument detects any of the timeout qualifications.

TRIGger:{A|B}:PULse:TIMEOut:TIME

This command sets or queries the pulse timeout trigger time (measured in seconds). This command is equivalent to selecting Timeout Setup from the Trig menu and setting a value for Timer.

Group Trigger

Syntax TRIGger:{A|B}:PULse:TIMEOut:TIME <NR3>
TRIGger:{A|B}:PULse:TIMEOut:TIME?

Related Commands [TRIGger:{A|B}:PULse:TIMEOut?](#)

Arguments <NR3> argument specifies the timeout period in seconds.

Examples TRIGGER:A:PULSE:TIMEOUT:TIME 3.134E-6 sets the timeout to 3.134 μ s.
TRIGGER:A;PULSE:TIMEOUT:TIME? might return
:TRIGGER:A:PULSE:TIMEOUT:TIME 2.0000E-9, indicating that the timeout
is currently set to 2 ns.

TRIGger:{A|B}:PULse:TRANSition? (Query Only)

This query-only command returns delta time, polarity, and both upper and lower threshold limits for the transition time trigger. This command is equivalent to selecting Transition Setup from the Trig menu and then viewing the current transition settings.

Group Trigger

Syntax TRIGger:{A|B}:PULse:TRANSition?

Related Commands [TRIGger:A:TYPE](#), [TRIGger:{A|B}:PULse:CLAss](#), [TRIGger:{A|B}:PULse:GLItch?](#), [TRIGger:{A|B}:PULse:RUNT?](#), [TRIGger:{A|B}:PULse:TIMEOut?](#), [TRIGger:{A|B}:PULse:WIDth?](#)

Examples TRIGGER:A:PULSE:TRANSITION? might return
:TRIGGER:A:PULSE:TRANSITION:DELTA
TIME 2.0000E-9;POLARITY POSITIVE;THRESHOLD:HIGH
1.2000;LOW 800.0000E-3;:TRIGGER:A:PULSE:TRANSITION:WHEN
SLOWERTHAN indicating the current transition time trigger settings.

TRIGger:{A|B}:PULse:TRANSition:DELTATime

This command sets or queries the delta time used in calculating the transition value for the transition trigger. This is equivalent to selecting Transition Setup from the Trig menu and setting the Time.

Group Trigger

Syntax TRIGger:{A|B}:PULse:TRANSition:DELTATime <NR3>
TRIGger:{A|B}:PULse:TRANSition:DELTATime?

Related Commands [TRIGger:{A|B}:PULse:TRANSition:POLarity](#), [TRIGger:{A|B}:PULse:TRANSition:THReshold?](#)

Arguments <NR3> specifies the delta time, in seconds.

Examples TRIGGER:A:PULSE:TRANSITION:DELTA
TIME 15E-6 sets the delta time of the transition trigger to 15 μ s.

TRIGGER:A:PULSE:TRANSITION:DELTA
TIME? might return
:TRIGGER:A:PULSE:TRANSITION:DELTA
TIME 2.0000E-09, indicating that the delta time of the transition trigger is set to 2 ns.

TRIGger:{A|B}:PULse:TRANSition:POLarity

This command sets or queries the polarity for the transition trigger. This command is equivalent to selecting Transition Setup from the Trig menu and choosing from the Polarity pull-down list.

Group Trigger

Syntax TRIGger:{A|B}:PULse:TRANSition:POLarity
{POSITIVE|NEGATIVE|EITHER}
TRIGger:{A|B}:PULse:TRANSition:POLarity?

Related Commands [TRIGger:{A|B}:PULse:TRANSition:DELTAime](#)

Arguments **POSITIVE** indicates that a pulse edge must traverse from the lower (most negative) to higher (most positive) level for transition triggering to occur.

NEGATIVE indicates that a pulse edge must traverse from the upper (most positive) to lower (most negative) level for transition triggering to occur.

EITHER indicates either positive or negative polarity.

Examples `TRIGGER:A:PULSE:TRANSITION:POLARITY NEGATIVE` sets the transition polarity to negative.

`TRIGGER:A:PULSE:TRANSITION:POLARITY?` might return
`:TRIGGER:A:PULSE:TRANSITION:POLARITY EITHER`, indicating that the polarity can be either positive or negative.

TRIGger:{A|B}:PULse:TRANSition:POLarity:CH<x>

This command sets or queries the polarity for the A or B pulse transition trigger for the channel.

This command is equivalent to selecting Transition Setup from the Trig menu and then choosing from the Polarity pull-down list for the channel.

Group Trigger

Syntax `TRIGger:{A|B}:PULse:TRANSition:POLarity:CH<x>`
`{EITHER|NEGATIVE|POSITIVE}`
`TRIGger:{A|B}:PULse:TRANSition:POLarity:CH<x>?`

Related Commands [TRIGger:{A|B}:PULse:TRANSition:DELTAime](#)

Arguments **POSITIVE** indicates that a pulse edge must traverse from the lower (most negative) to higher (post positive) level for transition triggering to occur.

NEGATIVE indicates that a pulse edge must traverse from the upper (most positive) to lower (most negative) level for transition triggering to occur.

EITHER indicates either positive or negative polarity.

Examples `TRIGGER:A:PULSE:TRANSITION:DELTAIME NEGATIVE` sets the trigger A transition polarity to negative.

TRIGGER:A:PULSE:TRANSITION:POLARITY? might return
:TRIGGER:A:PULSE:TRANSITION:POLARITY EITHER, indicating that the
transition can be either positive or negative for trigger A.

TRIGger:{A|B}:PULse:TRANSition:QUALify

This command sets or queries the Transition Time Trigger qualification.

This is equivalent to selecting Transition Setup from the Trig menu and selecting Occurs or Logic in the Trigger if Violation drop-down list box.

NOTE. *If you use the LOGIC argument, you must specify the channel logic conditions.*

Group	Trigger
Syntax	TRIGger:{A B}:PULse:TRANSition:QUALify {OCCurs LOGIC} TRIGGER:{A B}:PULse:TRANSition:QUALify?
Arguments	OCCurs specifies a trigger if any violations occur. LOGIC specifies a trigger if the individual channel qualifications meet the logic patterns and thresholds set by the TRIGger:{A B}:LOGIC:INPUT:CH<x> and TRIGGER:{A B}:LOGIC:THRESHOLD:CH<x> commands.
Examples	TRIGGER:A:PULSE:TRANSITION:QUALIFY OCCURS sets the trigger qualifier to OCCurs, which initiates an A trigger if the instrument detects any transition violations. TRIGGER:A:PULSE:TRANSITION:QUALIFY? might return :TRIGGER:A:PULSE:TRANSITION:QUALIFY OCCURS, indicating that an A trigger will occur if the instrument detects any transition violations.

TRIGger:{A|B}:PULse:TRANSition:THReshold? (Query Only)

This query-only command returns the upper and lower threshold limits for the transition time trigger. This command is equivalent to selecting Transition Setup from the Trig menu and viewing the Upper Level and Lower Level voltage settings.

Group Trigger

Syntax TRIGger:{A|B}:PULse:TRANSition:THReshold?

Related Commands TRIGger:{A|B}:PULse:TRANSition:DELTATime, TRIGger:{A|B}:PULse:TRANSition:POLarity

Examples TRIGGER:A:PULSE:TRANSITION:THRESHOLD? might return
:TRIGGER:A:PULSE:TRANSITION:THRESHOLD:HIGH 1.2000;LOW
800.0000E-3, indicating that the upper threshold limit to 1.2 V and lower
threshold limit for the transition time trigger to 0.8 V.

TRIGger:{A|B}:PULse:TRANSition:THReshold:BOTH (No Query Form)

This command (no query form) sets the upper and lower thresholds for the transition trigger. This command is equivalent to selecting Transition Setup from the Trig menu and setting the desired Upper Level and Lower Level voltages.

Group Trigger

Syntax TRIGger:{A|B}:PULse:TRANSition:THReshold:BOTH {TTL|ECL}

Related Commands TRIGger:{A|B}:PULse:TRANSition:THReshold:HIGh, TRIGger:{A|B}:PULse:TRANSition:THReshold:LOW

Arguments TTL sets the upper and lower threshold to the nominal TTL voltage levels.
ECL sets the upper and the lower threshold to the nominal ECL voltage levels.

Examples TRIGGER:A:PULSE:TRANSITION:THRESHOLD:BOTH TTL sets the thresholds
of the transition trigger to the nominal TTL voltage levels.

TRIGger:{A|B}:PULse:TRANSition:THReshold:HIGh

This command sets or queries the upper (most positive) transition trigger threshold. This command is equivalent to selecting Transition Setup from the Trig menu and then setting the desired Upper Level voltage.

Group Trigger

Syntax TRIGger:{A|B}:PULse:TRANSition:THReshoLd:HIGH <NR3>
 TRIGger:{A|B}:PULse:TRANSition:THReshoLd:HIGH?

Related Commands [TRIGger:{A|B}:PULse:TRANSition:THReshoLd:LOW](#)

Arguments <NR3> specifies the upper threshold, in volts.

Examples TRIGGER:A:PULSE:TRANSITION:THRESHOLD:HIGH 120E-3 sets the upper limit of the pulse transition trigger to 120 mV.

TRIGGER:A:PULSE:TRANSITION:THRESHOLD:HIGH? might return
 :TRIGGER:A:PULSE:TRANSITION:THRESHOLD:HIGH 2.0000E+00,
 indicating that the upper limit of the pulse transition trigger is 2 V.

TRIGger:{A|B}:PULse:TRANSition:THReshoLd:LOW

This command sets or queries the lower (most negative) transition trigger threshold. This command is equivalent to selecting Transition Setup from the Trig menu and setting the desired Lower Level voltage.

Group Trigger

Syntax TRIGger:{A|B}:PULse:TRANSition:THReshoLd:LOW <NR3>
 TRIGger:{A|B}:PULse:TRANSition:THReshoLd:LOW?

Related Commands [TRIGger:{A|B}:PULse:TRANSition:THReshoLd:HIGH](#)

Arguments <NR3> specifies the lower threshold, in volts.

Examples TRIGGER:A:PULSE:TRANSITION:THRESHOLD:LOW 20E-3 sets the lower limit of the transition trigger to 20 mV.

TRIGGER:A:PULSE:TRANSITION:THRESHOLD:LOW? might return
 :TRIGGER:A:PULSE:TRANSITION:THRESHOLD:LOW 50.0000E-03,
 indicating that the lower limit of the transition trigger is 50 mV.

TRIGger:{A|B}:PULse:TRANSition:WHEn

This command sets or queries whether to check for a transitioning signal that is faster or slower than the specified delta time. This is equivalent to selecting

Transition Setup from the Trig menu and choosing the Trigger When Transition Time setting.

Group Trigger

Syntax TRIGger:{A|B}:PULse:TRANSition:WHEN {FASTERthan|SLOWERthan}
TRIGger:{A|B}:PULse:TRANSition:WHEN?

Related Commands [TRIGger:{A|B}:PULse:TRANSition:DELTA](#)Time, [TRIGger:{A|B}:PULse:TRANSition:POLarity](#), [TRIGger:{A|B}:PULse:TRANSition:THReshold?](#)

Arguments FASTERthan sets the trigger to occur when the transitioning signal is faster than the set volts/second rate.

SLOWERthan sets the trigger to occur when the transitioning signal is slower than the set volts/second rate.

Examples TRIGGER:A:PULSE:TRANSITION:WHEN SLOWERTHAN sets the trigger to occur when the transitioning signal is slower than the set volts/second rate.

TRIGGER:A:PULSE:TRANSITION:WHEN? might return
:TRIGGER:A:PULSE:TRANSITION:WHEN FASTERthan, indicating that the transition triggers when the transitioning signal is faster than the set volts/second rate.

TRIGger:{A|B}:PULse:WIDth? (Query Only)

This query-only command returns the width parameters for the pulse width trigger. This command is equivalent to selecting Width Setup from the Trig menu and then viewing the current pulse width trigger Lower Limit, Upper Limit, Trig When and Polarity settings.

Group Trigger

Syntax TRIGger:{A|B}:PULse:WIDth?

Related Commands [TRIGger:{A|B}:PULse:WIDth:HIGHLimit](#), [TRIGger:{A|B}:PULse:WIDth:LOWLimit](#), [TRIGger:{A|B}:PULse:WIDth:POLarity](#), [TRIGger:{A|B}:PULse:WIDth:WHEn](#)

Examples TRIGGER:A:PULSE:WIDTH? might return
:TRIGGER:A:PULSE:WIDTH:LOWLIMIT 2.0000E-9;
HIGHLIMIT 2.0000E-9;WHEN WITHIN; POLARITY POSITIVE as the
current A width trigger parameters.

TRIGger:{A|B}:PULse:WIDth:HIGHLimit

This command sets or queries the upper limit for the width trigger. This command is equivalent to selecting Width Setup from the Trig menu and setting the Upper Limit.

Group Trigger

Syntax TRIGger:{A|B}:PULse:WIDth:HIGHLimit <NR3>
TRIGger:{A|B}:PULse:WIDth:HIGHLimit?

Related Commands [TRIGger:{A|B}:PULse:WIDth?](#)

Arguments <NR3> specifies the width trigger upper limit in seconds.

Examples TRIGGER:A:PULSE:WIDTH:HIGHLIMIT 5.0E-6 sets the upper limit of the width trigger to 5 μ s.

TRIGGER:A:PULSE:WIDTH:HIGHLIMIT? might return
:TRIGGER:A:PULSE:WIDTH:HIGHLIMIT 2.0000E-9, indicating
that the upper limit of the width trigger is set to 2 ns.

TRIGger:{A|B}:PULse:WIDth:LOWLimit

This command sets or queries the lower limit for the width trigger. This command is equivalent to selecting Width Setup from the Trig menu and setting the pulse Lower Limit.

Group Trigger

Syntax TRIGger:{A|B}:PULse:WIDth:LOWLimit <NR3>
TRIGger:{A|B}:PULse:WIDth:LOWLimit?

Related Commands [TRIGger:{A|B}:PULse:WIDth?](#)

Arguments <NR3> specifies the A pulse width trigger lower limit, in seconds.

Examples TRIGGER:A:PULSE:WIDTH:LOWLIMIT 2.0E-6 sets the lower limit of the width trigger to 2 μ s.

TRIGGER:A:PULSE:WIDTH:LOWLIMIT? might return
:TRIGGER:A:PULSE:WIDTH:LOWLIMIT 1.0000E-9, indicating that the lower limit of the width trigger is set to 1 ns.

TRIGger:{A|B}:PULse:WIDth:POLarity

This command sets or queries the polarity for the width trigger. This command is equivalent to selecting Width Setup from the Trig menu and selecting the Polarity.

Group Trigger

Syntax TRIGger:{A|B}:PULse:WIDth:POLarity {NEGAtive|POSITIve}
TRIGger:{A|B}:PULse:WIDth:POLarity?

Related Commands [TRIGger:{A|B}:PULse:WIDth?](#)

Arguments NEGAtive specifies a negative pulse.
POSITIve specifies a positive pulse.

Examples TRIGGER:A:PULSE:WIDTH:POLARITY NEGATIVE sets the pulse polarity to negative.

TRIGGER:A:PULSE:WIDTH:POLARITY? might return
:TRIGGER:A:PULSE:WIDTH:POLARITY POSITIVE, indicating that the pulse polarity is set to positive.

TRIGger:{A|B}:PULse:WIDth:POLarity:CH<x>

This command sets or queries the polarity for the A or B pulse width trigger for the channel.

This command is equivalent to selecting Width Setup from the Trig menu and then selecting the pulse width trigger Polarity for the channel.

Group Trigger

Syntax TRIGger:{A|B}:PULse:WIDth:POLArity:CH<x> {NEGAtive|POSITIVe}
 TRIGger:{A|B}:PULse:WIDth:POLArity:CH<x>?

Related Commands TRIGger:{A|B}:PULse:WIDth?

Arguments NEGAtive specifies a negative pulse.
 POSITIVe specifies a positive pulse.

Examples TRIGGER:A:PULSE:WIDTH:POLARITY:CH4 NEGATIVE sets the pulse polarity to negative for Channel 4.
 TRIGGER:A:PULSE:WIDTH:POLARITY:CH4? might return
 :TRIGGER:A:PULSE:WIDTH:POLARITY:CH4 POSITIVE, indicating that the pulse polarity is set to positive for Channel 4.

TRIGger:{A|B}:PULse:WIDth:QUALify

This command sets or queries the Width Trigger qualification.

This is equivalent to selecting Width Setup from the Trig menu and selecting Occurs or Logic in the Trigger if Width drop-down list box.

NOTE. *If you use the LOGIC argument, you must specify the channel logic conditions.*

Group Trigger

Syntax TRIGger:{A|B}:PULse:WIDth:QUALify {OCCurs|LOGIC}
 TRIGger:{A|B}:PULse:WIDth:QUALify?

Arguments OCCURS specifies a trigger if any detectable event occurs.
 LOGIC specifies a trigger if the individual channel qualifications meet the logic patterns and thresholds set by the TRIGger:{A|B}:LOGIC:INPUT:CH<x> and TRIGger:{A|B}:LOGIC:THRESHOLD:CH<x> commands.

Examples TRIGGER:A:PULSE:WIDTH:QUALIFY OCCURS sets the A trigger qualifier to OCCURS, which initiates a trigger if the instrument detects any width trigger qualifications.

TRIGGER:A:PULSE:WIDTH:QUALIFY? might return
:TRIGGER:A:PULSE:WIDTH:QUALIFY OCCURS, indicating that an A trigger will occur if the instrument detects any of the width qualifications.

TRIGger:{A|B}:PULse:WIDth:WHEn

This command sets or queries whether to trigger on a pulse width that falls outside (or within) the specified range of limits. You can define or query trigger pulse width upper and lower limits using the TRIGger:A:PULse:WIDth:HIGHLimit and TRIGger:A:PULse:WIDth:LOWLimit commands.

This command is equivalent to selecting Width Setup from the Trig menu and then choosing from the Trig When drop-down list.

Group Trigger

Syntax TRIGger:{A|B}:PULse:WIDth:WHEn {OUTside|WIThin}
TRIGger:{A|B}:PULse:WIDth:WHEn?

Related Commands [TRIGger:{A|B}:PULse:WIDth:HIGHLimit](#), [TRIGger:{A|B}:PULse:WIDth:LOWLimit](#)

Arguments OUTside argument causes a trigger event the duration of the pulse is greater than the high limit or less than the low limit specified. The high and low limits are specified with the TRIGger:A:PULse:WIDth:HIGHLimit and TRIGger:A:PULse:WIDth:LOWLimit commands respectively.

WIThin argument causes a trigger event when the duration of the pulse is within the high and low limits. The high and low limits are specified with the TRIGger:A:PULse:WIDth:HIGHLimit and TRIGger:A:PULse:WIDth:LOWLimit command respectively.

Examples TRIGGER:A:PULSE:WIDTH:WHEn WITHIN specifies that the duration of the A pulse will fall within defined high and low limits.

TRIGGER:A:PULSE:WIDTH:WHEn? might return
:TRIGGER:A:PULSE:WIDTH:WHEn OUTSIDE, indicating the conditions for generating a width trigger.

TRIGger:{A|B}:PULse:WINDow? (Query Only)

This query-only command returns the current window trigger parameters.

Group	Trigger
Syntax	TRIGger:{A B}:PULse:WINDow?
Examples	<p>TRIGGER:A:PULSE:WINDOW? might return</p> <pre>:TRIGGER:A:PULSE:WINDOW:TYPE INSIDE; WHEN OCCURS;WIDTH 2.0000e-9; LOGIC:INPUT:CH1 HIGH;CH2 X; CH3 X; CH4 LOW; :TRIGGER:A:PULSE:WINDOW:LOGIC:THRESHOLD:CH1 1.2000;CH2 1.2000;CH3 1.2000;CH4 1.2000; :TRIGGER:A:PULSE:WINDOW:THRESHOLD:HIGH 1.2000;LOW 800.0000E-3.</pre>

TRIGger:{A|B}:PULse:WINDow:EVENT

This command sets or queries the window trigger event. This command is equivalent to selecting Window Setup from the Trig menu and selecting from the Window Event box.

Group	Trigger
Syntax	<p>TRIGger:{A B}:PULse:WINDow:EVENT</p> <p>TRIGger:{A B}:PULse:WINDow:EVENT?</p>
Arguments	<p>OUTSIDEGreater specifies a trigger event when the signal leaves the window defined by the threshold levels for the time specified by Width.</p> <p>INSIDEGreater specifies a trigger event when the signal enters the window defined by the threshold levels for the time specified by Width.</p> <p>ENTERSWindow specifies a trigger event when the signal enters the window defined by the threshold levels.</p> <p>EXITSWindow specifies a trigger event when the signal leaves the window defined by the threshold levels.</p>
Examples	<p>TRIGGER:A:PULSE:WINDOW:WHEN OCCURS sets the widow violation qualifier to OCCURS, which causes a trigger to occur when the instrument detects any window violation.</p> <p>TRIGGER:A:PULSE:WINDOW:WHEN? might return</p> <pre>:TRIGGER:A:PULSE:WINDOW:WHEN OCCURS, indicating that a trigger will occur if the instrument detects any window violation.</pre>

TRIGger:{A|B}:PULse:WINDow:QUALify

This command sets or queries the Window Trigger qualification. This is equivalent to selecting Window Setup from the Trig menu and selecting Occurs or Logic in the Trigger if Window drop-down list box.

NOTE. *If you use the LOGIC argument, you must specify the channel logic conditions.*

Group	Trigger
Syntax	TRIGger:{A B}:PULse:WINDow:QUALify {OCCurs LOGic} TRIGger:{A B}:PULse:WINDow:QUALify?
Arguments	OCCURS specifies a trigger if any detectable event occurs. LOGIC specifies a trigger if the individual channel qualifications meet the logic patterns and thresholds set by the TRIGger:{A B}:LOGIC:INPUT:CH<x> and TRIGGER:{A B}:LOGIC:THRESHOLD:CH<x> commands.
Examples	TRIGGER:A:PULSE:WINDOW:QUALIFY OCCURS sets the trigger qualifier to OCCURS, which causes an A trigger to occur if the instrument detects any of the window trigger qualifications. TRIGGER:A:PULSE:WINDOW:QUALIFY? might return :TRIGGER:A:PULSE:WINDOW:QUALIFY OCCURS, indicating that an A trigger will occur if the instrument detects any of the window qualifications.

TRIGger:{A|B}:PULse:WINDow:THReshold? (Query Only)

This query-only command returns the upper and lower thresholds for the window trigger. This command query is equivalent to selecting Window Setup from the Trig menu and viewing the window trigger Upper Level and Lower Level settings.

Group	Trigger
Syntax	TRIGger:{A B}:PULse:WINDow:THReshold?
Examples	TRIGGER:A:PULSE:WINDOW:THRESHOLD? might return :TRIGGER:A:PULSE:WINDOW:THRESHOLD:HIGH 1.2000;LOW 800.0000E-3, indicating that the upper threshold is 1.2 V and that the lower threshold is 800 mV.

TRIGger:{A|B}:PULse:WINDow:THReshold:BOTH (No Query Form)

This command (no query form) sets the upper and lower switching thresholds for the window trigger. This command is equivalent to selecting Window Setup from the Trig menu and then setting the Upper Level and Lower Level voltages.

Group	Trigger
Syntax	TRIGger:{A B}:PULse:WINDow:THResho1d:BOTH {TTL ECL}
Arguments	TTL argument sets the upper and the lower threshold to the nominal TTL voltage levels. ECL argument sets the upper and the lower threshold to the nominal ECL voltage levels.
Examples	TRIGGER:A:PULSE:WINDOW:THRESHOLD:BOTH TTL sets the threshold of the window trigger to the nominal TTL voltage levels.

TRIGger:{A|B}:PULse:WINDow:THReshold:HIGh

This command sets or queries the upper limit for the pulse window trigger. This command is equivalent to selecting Window Setup from the Trig menu and setting the window trigger Upper Level voltage.

Group	Trigger
Syntax	TRIGger:{A B}:PULse:WINDow:THResho1d:HIGh <NR3> TRIGger:{A B}:PULse:WINDow:THResho1d:HIGh?
Arguments	<NR3> specifies the threshold value in volts.
Examples	TRIGGER:A:PULSE:WINDOW:THRESHOLD:HIGh 2.0, sets the upper limit of the pulse window trigger to 2 V. TRIGGER:A:PULSE:WINDOW:THRESHOLD:HIGh? might return :TRIGGER:A:PULSE:WINDOW:THRESHOLD:HIGh 1.1000E+00, indicating that the upper limit of the window trigger is set to 1.1 V.

TRIGger:{A|B}:PULse:WINDow:THReshold:LOW

This command sets or queries the lower limit for the window trigger. This command is equivalent to selecting Window Setup from the Trig menu and setting the Lower Level voltage.

Group	Trigger
Syntax	TRIGger:{A B}:PULse:WINDow:THResho1d:LOW <NR3> TRIGger:{A B}:PULse:WINDow:THResho1d:LOW?
Arguments	<NR3> specifies the threshold value in volts.
Examples	TRIGGER:A:PULSE:WINDOW:THRESHOLD:LOW 0.8 sets the lower threshold of the window trigger to 0.8 V. TRIGGER:A:PULSE:WINDOW:THRESHOLD:LOW? might return :TRIGGER:A:PULSE:WINDOW:THRESHOLD:LOW 1.2000E-01, indicating that the lower limit of the window trigger is currently set to 120 mV.

TRIGger:{A|B}:PULse:WINDow:WIDTH

This command sets or queries the minimum width for a window violation. This command is equivalent to selecting Window Setup from the Trig menu, selecting Wider than in the Trigger When box, and setting the Width.

Group	Trigger
Syntax	TRIGger:{A B}:PULse:WINDow:WIDTH <NR3> TRIGger:{A B}:PULse:WINDow:WIDTH?
Arguments	<NR3> argument specifies the minimum width in seconds.
Examples	TRIGGER:A:PULSE:WINDOW:WIDTH 15E-9 sets the minimum width of a valid window violation to 15 ns. TRIGGER:A:PULSE:WINDOW:WIDTH? might return :TRIGGER:A:PULSE:WINDOW:WIDTH 2.0000E-09 indicating that the minimum width of a valid window violation is 2 ns.

TRIGger:{A|B}:UPPerthreshold:CH<x>

This command sets or queries the CH<x> upper trigger level for TRIGger:LVLsrcpreference SRCDependent. The CH<x> range is 1 to 4.

Group	Trigger
Syntax	TRIGger:{A B}:UPPerthreshold:CH<x> {ECL TTL <NR3>} TRIGger:{A B}:UPPerthreshold:CH<x>?
Related Commands	TRIGger:LVLsrcpreference , TRIGger:{A B}:LOWerthreshold:CH<x>
Arguments	ECL specifies the ECL high level. TTL specifies the TTL high level. <NR3> specifies the trigger level in user units (usually volts).
Examples	TRIGGER:A:UPPERTHRESHOLD:CH1 TTL This command sets the A trigger level for Channel 1 to TTL high level. TRIGGER:A:UPPERTHRESHOLD:CH2? might return :TRIGGER:A:UPPERTHRESHOLD:CH2 1.3000E+00, indicating that the A trigger level for Channel 2 is set to 1.3 V.

TRIGger:A

This command sets the A trigger level automatically to 50% of the range of the minimum and maximum values of the trigger input signal. The query returns current A trigger parameters. The trigger level is the voltage threshold through which the trigger source signal must pass to generate a trigger event. This command is equivalent to pushing the LEVEL knob on the front panel.

Group	Trigger
Syntax	TRIGger:A SETLevel TRIGger:A?
Related Commands	TRIGger:{A B}:EDGE? , TRIGger:A:LOGic? , TRIGger:{A B}:PULse?

Arguments SETLevel sets the trigger level to 50% of the range of the minimum and maximum values of the trigger input signal.

Examples TRIGGER:A SETLEVEL sets the trigger level to 50% of the range of the minimum and maximum values of the trigger input signal.

```

TRIGGER:A? might return the following trigger parameters:
:TRIGGER:A:MODE AUTO;TYPE EDGE;LEVEL 0.0000;HOLDOFF:BY
DEFAULT;TIME 1.5000E-6;:TRIGGER:A:EDGE:SOURCE
CH1;COUPLING DC;SLOPE RISE;:TRIGGER:A:LOGIC:CLASS
PATTERN;FUNCTION AND;THRESHOLD:CH1 1.2000;CH2 1.2000;CH3
1.2000;CH4 1.2000;:TRIGGER:A:LOGIC:INPUT:CH1 HIGH;CH2
X;CH3 X;:TRIGGER:A:LOGIC:PATTERN:INPUT:CH4
X;:TRIGGER:A:LOGIC:PATTERN:WHEN
TRUE;WHEN:LESSLIMIT 5.0000E-9;MORELIMIT
5.0000E-9;:TRIGGER:A:LOGIC:SETHOLD:CLOCK:EDGE RISE;THRESHOLD
1.2000;SOURCE CH2;:TRIGGER:A:LOGIC:SETHOLD:DATA:THRESHOLD
1.2000;SOURCE CH1;:TRIGGER:A:LOGIC:SETHOLD:HOLDTIME
2.0000E-9;SETTIME 3.0000E-9;:TRIGGER:A:LOGIC:STATE:INPUT:CH4
RISE;:TRIGGER:A:LOGIC:STATE:WHEN
TRUE;:TRIGGER:A:PULSE:CLASS GLITCH;SOURCE
CH1;GLITCH:WIDTH 2.0000E-9;TRIGIF ACCEPT;POLARITY
POSITIVE;:TRIGGER:A:PULSE:WINDOW:TYPE INSIDE;WHEN
OCCURS;WIDTH 2.0000E-9;LOGIC:INPUT:CH1 HIGH;CH2 HIGH;CH3
HIGH;CH4 HIGH;:TRIGGER:A:PULSE:WINDOW:LOGIC:THRESHOLD:CH1
1.2000;CH2 1.2000;CH3 1.2000;CH4
1.2000;:TRIGGER:A:PULSE:WINDOW:THRESHOLD:HIGH 1.2000;LOW
800.0000E-3;:TRIGGER:A:PULSE:RUNT:LOGIC:THRESHOLD:CH1
1.2000;CH2 1.2000;CH3 1.2000;CH4
1.2000;:TRIGGER:A:PULSE:RUNT:POLARITY
POSITIVE;THRESHOLD:HIGH 1.2000;LOW
800.0000E-3;:TRIGGER:A:PULSE:RUNT:WHEN OCCURS;WIDTH
2.0000E-9;:TRIGGER:A:PULSE:TRANSITION:DELTATIME
2.0000E-9;POLARITY POSITIVE;THRESHOLD:HIGH 1.2000;LOW
800.0000E-3;:TRIGGER:A:PULSE:TRANSITION:WHEN
FASTERTHAN;:TRIGGER:A:PULSE:WIDTH:LOWLIMIT
2.0000E-9;HIGHLIMIT 2.0000E-9;WHEN WITHIN;POLARITY
POSITIVE;:TRIGGER:A:PULSE:TIMEOUT:POLARITY
STAYSHIGH;TIME 2.0000E-9;:TRIGGER:A:VIDEO:CUSTOM:FORMAT
INTERLACED;SCAN RATE1;:TRIGGER:A:VIDEO:FIELD
ALLFIELDS;HOLDOFF:FIELD 0.0000;:TRIGGER:A:VIDEO:LINE
1;POLARITY NORMAL;SCAN RATE1;SOURCE CH1;STANDARD
NTSC;:TRIGGER:A:COMMUNICATION:STANDARD CUSTOM;CODE
NRZ;BITRATE 1544000;AMI:PULSEFORM PLUSONE;THRESHOLD:HIGH
0.0000;LOW 0.0000;:TRIGGER:A:COMMUNICATION:CLOCK:POLARITY
RISE;:TRIGGER:A:COMMUNICATION:CMI:PULSEFORM
PLUSONE;:TRIGGER:A:COMMUNICATION:SOURCE CH1;SOURCE:TYPE DATA.

```

TRIGger:A:CAN:CONDition

CAN option only: This command sets or returns the CAN condition.

Group Low Speed Serial Trigger

Syntax TRIGger:A:CAN:CONDition
 {SOF|FRAMetype|IDENTifier|DATA|IDANDDATA|EOF|ACKMISS}
 TRIGger:A:CAN:CONDition?

Arguments SOF enables triggering on the start of frame.
 FRAMetype enables triggering on the type of frame.
 IDENTifier enables triggering on a matching identifier.
 DATA enables triggering on matching data.
 IDANDDATA enables triggering on a matching identifier and matching data.
 EOF enables triggering on the end of frame.
 ACKMISS enables triggering on a missing acknowledge.
 ERROR enables triggering on an error within a frame.

Examples TRIGGER:A:CAN:CONDITION DATA enables triggering on matching CAN data.
 TRIGGER:A:CAN:CONDITION? might return :TRIGGER:A:CAN:CONDITION
 EOF, indicating that the triggering is set on the end of frame.

TRIGger:A:CAN:DATA:DIRection

CAN option only: This command sets or queries the CAN trigger condition to be valid on a READ, WRITE, or either.

Group Low Speed Serial Trigger

Syntax TRIGger:A:CAN:DATA:DIRection {READ|WRITE|NOCARE}
 TRIGger:A:CAN:DATA:DIRection?

Arguments READ sets the CAN data direction to READ.
 WRITE sets the CAN data direction to WRITE.
 NOCARE sets the CAN data direction to either.

Examples TRIGGER:A:CAN:DATA:DIRECTION WRITE sets the CAN data direction to Write.
 TRIGGER:A:CAN:DATA:DIRECTION? might return :TRIGGER:A:CAN:DATA:DIRECTION READ, indicating that the CAN data direction is set to Read.

TRIGger:A:CAN:DATA:LEVel

CAN option only: This command sets or queries the CAN Trigger threshold for the CAN data source.

Group Low Speed Serial Trigger

Syntax TRIGger:A:CAN:DATA:LEVel <NR3>
 TRIGger:A:CAN:DATA:LEVel?

Arguments <NR3> specifies the CAN trigger data level. The level can be ± 5.0 .

Examples TRIGGER:A:CAN:DATA:LEVEL 0.0 sets the CAN trigger data level to 0.0 Volts.
 TRIGGER:A:CAN:DATA:LEVEL? might return :TRIGGER:A:CAN:DATA:LEVEL 5.0000, indicating that the CAN trigger data level is set to 5.0 volts.

TRIGger:A:CAN:DATA:SOURce

CAN option only: This command sets or queries the CAN data source.

Group Low Speed Serial Trigger

Syntax TRIGger:A:CAN:DATA:SOURce {CH1|CH2|CH3|CH4}
 TRIGger:A:CAN:DATA:SOURce?

Arguments CH<x> specifies the source for the CAN trigger.

Examples TRIGGER:A:CAN:DATA:SOURCE CH1 sets the CAN trigger data source to channel CH1.
 TRIGGER:A:CAN:DATA:SOURCE? might return :TRIGGER:A:CAN:DATA:SOURCE CH4, indicating that the CAN trigger data source is set to channel CH4.

TRIGger:A:CAN:DATA:VALue

CAN option only: This command sets or queries the binary data string used for CAN Trigger if the trigger condition is ID or IDANDDATA.

Group Low Speed Serial Trigger

Syntax TRIGger:A:CAN:DATA:VALue <String>
TRIGger:A:CAN:DATA:VALue?

Arguments String is up to 32 bits specifying the CAN data value.

Examples TRIGGER:A:CAN:DATA:VALUE "1011" sets the CAN data value to 1011.
TRIGGER:A:CAN:DATA:VALUE? might return
:TRIGGER:A:CAN:DATA:SOURCE 10111, indicating that the
CAN data value is set to 10111.

TRIGger:A:CAN:FORMat

CAN option only: This command sets or queries the CAN data format.

Group Low Speed Serial Trigger

Syntax TRIGger:A:CAN:FORMat {BINary|HEX}
TRIGger:A:CAN:FORMat?

Arguments BINary specifies binary as the CAN data format.
HEX specifies hexadecimal as the CAN data format.

Examples TRIGGER:A:CAN:FORMAT BINARY sets the CAN trigger data format to binary.
TRIGGER:A:CAN:FORMAT? might return :TRIGGER:A:CAN:DATA:FORMAT
HEX, indicating that the CAN data format is set to hexadecimal.

TRIGger:A:CAN:FRAMetype

CAN option only: This command sets or queries the CAN trigger frame type.

Group	Low Speed Serial Trigger
Syntax	TRIGger:A:CAN:FRAMeType {DATA REMOte ERROR OVERLOAD} TRIGger:A:CAN:FRAMeType?
Arguments	DATA specifies a data frame type. REMOte specifies a remote frame type. ERROR specifies an error frame type. OVERLOAD specifies an overload frame type.
Examples	TRIGGER:A:CAN:FRAMETYPE DATA sets the CAN trigger frame type to data. TRIGGER:A:CAN:FRAMETYPE? might return :TRIGGER:A:CAN:DATA:FRAMETYPE REMOTE, indicating that the CAN trigger frame type is set to remote.

TRIGger:A:CAN:IDENTifier:MODE

CAN option only: This command sets or queries the CAN trigger identifier mode.

Group	Low Speed Serial Trigger
Syntax	TRIGger:A:CAN:IDENTifier:MODE {STANDARD EXTENDED} TRIGger:A:CAN:IDENTifier:MODE?
Arguments	STANDARD sets the CAN trigger identifier mode to standard mode. EXTENDED sets the CAN trigger identifier mode to extended mode.
Examples	TRIGGER:A:CAN:IDENTIFIER:MODE STANDARD sets the CAN trigger identifier mode to standard. TRIGGER:A:CAN:IDENTIFIER:MODE? might return :TRIGGER:A:CAN:IDENTIFIER:MODE EXECUTE, indicating that the CAN trigger identifier mode is set to extended.

TRIGger:A:CAN:IDENTifier:VALue

CAN option only: This command sets or queries the binary address string used for the CAN trigger if the trigger condition is ID or IDANDDATA.

Group	Low Speed Serial Trigger
Syntax	TRIGGER:A:CAN:IDENTIFIER:VALUE <String> TRIGGER:A:CAN:IDENTIFIER:VALUE?
Arguments	String is up to 29 bits specifying the CAN identifier value.
Examples	TRIGGER:A:CAN:IDENTIFIER:VALUE 1011 sets the CAN trigger identifier value to 1011. TRIGGER:A:CAN:IDENTIFIER:VALUE? might return :TRIGGER:A:CAN:IDENTIFIER:VALUE 10111, indicating that the CAN trigger identifier value is set to 10111.

TRIGGER:A:CAN:PROBE

CAN option only: This command sets or queries the probing method used to probe the CAN signal.

Group	Low Speed Serial Trigger
Syntax	TRIGGER:A:CAN:PROBE {CANL CANH DIFFERENTIAL TX RX} TRIGGER:A:CAN:PROBE?
Arguments	CANL specifies that the probing method is CANL. CANH specifies that the probing method is CANH. DIFFERENTIAL specifies that the probing method used is differential. TX specifies that the probing method is TX. RX specifies that the probing method is RX.
Examples	TRIGGER:A:CAN:PROBE CANH sets the method used to probe the CAN signal to CANH. TRIGGER:A:CAN:PROBE? might return TRIGGER:A:CAN:PROBE DIFFERENTIAL, indicating that the probing method is differential.

TRIGGER:A:CAN:SPEED

CAN option only: This command sets or queries the bit rate of the CAN system.

Group	Low Speed Serial Trigger
Syntax	TRIGger:A:CAN:SPEEd <NR3> TRIGger:A:CAN:SPEEd?
Arguments	<NR3> specifies the bit rate of the CAN system. Possible values are 1M, 800K, 500K, 250K, 125K, 100K, 83.3K, 62,5K, 50K, 33K, 20K, and 10K.
Examples	TRIGGER:A:CAN:SPEED 33K sets the CAN systems with a bit rate of 33K. TRIGGER:A:CAN:SPEED? might return TRIGGER:A:CAN:SPEED 50K, indicating that the bit rate of the CAN system is set to 50K.

TRIGger:A:COMMunication:{AMI|HDB3|B3ZS|B6ZS|B8ZS}:PULSEForm

This entry covers five separate commands, one each for AMI and AMI subtypes. The commands set or query the AMI pulse form to one of three possibilities.

Conditions	This command is only valid if the instrument has Option MTM is installed
Group	Trigger
Syntax	TRIGger:A:COMMunication:{AMI HDB3 B3ZS B6ZS B8ZS}:PULSEForm {PLUSone MINUSone EYEdiagram} TRIGger:A:COMMunication:{AMI HDB3 B3ZS B6ZS B8ZS}:PULSEForm?
Arguments	PLUSone corresponds to the Isolated +1 on the front panel menu. MINUSone corresponds to the Isolated -1 on the front panel menu. EYEdiagram positions the trigger point off screen in order to display the eye.
Examples	TRIGGER:A:COMMUNICATION:AMI:PULSEFORM PLUSONE sets the pulse form to PLUSONE. TRIGGER:A:COMMUNICATION:AMI:PULSEFORM? might return :TRIGGER:A:COMMUNICATION:AMI:PULSEFORM PLUSONE, indicating that the AMI PULSFORM is set to PLUSONE.

TRIGger:A:COMMunication:{AMI|HDB3|B3ZS|B6ZS|B8ZS}:THReshold:HIGH

This entry covers five separate commands, one each for AMI and AMI subtypes. This command sets or queries the threshold high level.

Conditions	This command is only valid if the instrument has Option MTM is installed
Group	Trigger
Syntax	TRIGger:A:COMMunication:{AMI HDB3 B3ZS B6ZS B8ZS}:THReshold: HIGH <NR3> TRIGger:A:COMMunication:{AMI HDB3 B3ZS B6ZS B8ZS}:THReshold: HIGH?
Arguments	<NR3> is the high threshold parameter expressed in volts.
Examples	TRIGGER:A:COMMUNICATION:AMI:THRESHOLD:HIGH 2.8E-2 sets the threshold high level to 2.8E-2. TRIGGER:A:COMMUNICATION:AMI:THRESHOLD:HIGH? might return :TRIGGER:A:COMMUNICATION:AMI:THRESHOLD:HIGH 2.8E-2, indicating the threshold high level in volts.

TRIGger:A:COMMunication:{AMI|HDB3|B3ZS|B6ZS|B8ZS}:THReshold:LOW

This entry covers five separate commands, one each for AMI and AMI subtypes. This command sets or queries the threshold low level.

Conditions	This command is only valid if the instrument has Option MTM is installed
Group	Trigger
Syntax	TRIGger:A:COMMunication:{AMI HDB3 B3ZS B6ZS B8ZS}:THReshold: LOW <NR3> TRIGger:A:COMMunication:{AMI HDB3 B3ZS B6ZS B8ZS}:THReshold: LOW?
Arguments	<NR3> The high threshold parameter expressed in volts.

- Examples** TRIGGER:A:COMMUNICATION:AMI:THRESHOLD:LOW 2.8E-2 sets the threshold low level to 2.8E-2.
- TRIGGER:A:COMMUNICATION:AMI:THRESHOLD:LOW? might return :TRIGGER:A:COMMUNICATION:AMI:THRESHOLD:LOW 2.8E-2, indicating the threshold low level in volts.

TRIGger:A:COMMunication:BITRate

This command sets or queries the bit rate.

- Conditions** This command is only valid if the instrument has Option MTM is installed
- Group** Trigger
- Syntax** TRIGger:A:COMMunication:BITRate <NR3>
TRIGger:A:COMMunication:BITRate?
- Arguments** <NR3> is a nonnegative number greater than one and expressed as bits per second.
- Examples** TRIGGER:A:COMMUNICATION:BITRATE 1.544E6 sets the bit rate to 1.544 Mb/s.
- TRIGGER:A:COMMUNICATION:BITRATE ? might return :TRIGGER:A:COMMUNICATION:BITRATE 1.544e6, indicating a bit rate of 1.544 Mb/s.

TRIGger:A:COMMunication:CLOCK:POLarity

This command sets or queries the communication clock polarity

- Conditions** This command is only valid if the instrument has Option MTM is installed.
- Group** Trigger
- Syntax** TRIGger:A:COMMunication:CLOCK:POLarity {RISe|FALL}
TRIGger:A:COMMunication:CLOCK:POLarity?

- Arguments** RISE specifies to trigger on the rising or positive edge of a signal.
FALL specifies to trigger on the falling or negative edge of a signal.
- Examples** TRIGGER:A:COMMUNICATION:CLOCK:POLARITY RISE sets RISE as the clock polarity.
TRIGGER:A:COMMUNICATION:CLOCK:POLARITY? might return :TRIGGER:A:COMMUNICATION:CLOCK:POLARITY RISE, indicating that the polarity is to trigger on the rising edge of the clock.

TRIGger:A:COMMunication:CMI:PULSEForm

This command sets or queries the CMI pulse form.

- Conditions** This command is only valid if the instrument has Option MTM is installed.

Group Trigger

Syntax TRIGger:A:COMMunication:CMI:PULSEForm
{PLUSOne|MINUSOne|ZERO|EYEdiagram}
TRIGger:A:COMMunication:CMI:PULSEForm?

- Arguments** PLUSOne triggers on a positive mark.
MINUSOne triggers on a negative mark.
ZERO triggers on the bit representing zero.
EYEdiagram positions the trigger point off screen in order to display the eye.

- Examples** TRIGGER:A:COMMUNICATION:CMI:PULSEFORM PLUSONE sets triggering to occur on a positive mark.
TRIGGER:A:COMMUNICATION:CMI:PULSEFORM? might return :TRIGGER:A:COMMUNICATION:CMI:PULSEFORM PLUSONE, indicating that the pulse form is PLUSONE.

TRIGger:A:COMMunication:CODE

This command sets or queries the signal code that the communications trigger should expect on the incoming signal.

Conditions	This command is valid only if the instrument has Option MTM is installed.
Group	Trigger
Syntax	TRIGger:A:COMMunication:CODe {AMI HDB3 B3ZS B6ZS B8ZS CMI NRZ MLT3 MANChesTer} TRIGger:A:COMMunication:CODe?
Arguments	AMI HDB3 B3ZS B6ZS B8ZS CMI NRZ MLT3 MANChesTer
Examples	TRIGGER:A:COMMUNICATION:CODE AMI sets the AMI as the line code that the communications trigger expects on the incoming signal. TRIGGER:A:COMMUNICATION:CODE? might return :TRIGGER:A:COMMUNICATION:CODE AMI, indicating that the code is AMI.

TRIGger:A:COMMunication:SOURce

This command sets or queries the source channel.

Conditions	This command is valid only if the instrument has Option MTM is installed.
Group	Trigger
Syntax	TRIGger:A:COMMunication:SOURce {CH1 CH2 CH3 CH4} TRIGger:A:COMMunication:SOURce?

- Arguments** CH1 argument selects CH 1 as the source channel.
CH2 argument selects CH 2 as the source channel.
CH3 argument selects CH 3 as the source channel.
CH4 argument selects CH 4 as the source channel.
- Examples** TRIGGER:A:COMMUNICATION:SOURCE CH1 sets Channel 1 as the source channel.
TRIGGER:A:COMMUNICATION:SOURCE? might return
:TRIGGER:A:COMMUNICATION:SOURCE CH1, indicating that the source is Channel 1.

TRIGger:A:COMMunication:SOURce:TYPE

This command sets or queries the source type. This command works only when the Eye Diagram pulseform is selected.

- Conditions** This command is only valid if the instrument has Option MTM is installed.
- Group** Trigger
- Syntax** TRIGger:A:COMMunication:SOURce:TYPE {DATA|CLOCK|RECOVERed}
TRIGger:A:COMMunication:SOURce:TYPE?
- Arguments** DATA causes the instrument to trigger and shift five unit intervals to form the expected eye pattern.
CLOCK causes the instrument to trigger but no shift occurs. The clock type causes random triggers with respect to the data channel, which must be one of the other three channels.
RECOVERed causes the instrument to trigger on the recovered clock from the data signal attached to communication source forming an eye pattern on the source.
- Examples** TRIGGER:A:COMMUNICATION:SOURCE:TYPE CLOCK sets the source type to clock.
TRIGGER:A:COMMUNICATION:SOURCE:TYPE? might return
:TRIGGER:A:COMMUNICATION:SOURCE:TYPE DATA, indicating that the source type is data.

TRIGger:A:COMMunication:STANdard

This command sets or queries the standard that identifies the code and bit rate. The bit rate is used to compute the Unit Interval, which is the inverse of the bit rate. The Unit Interval influences time skew in an Eye Diagram, where you perform post processing on AMI isolated pulses, and pulse width settings if CMI.

Conditions This command is valid only if the instrument has Option MTM is installed.

Group Trigger

Syntax TRIGger:A:COMMunication:STANdard
 {ATAG1|ATAG2|ATAG3|CLOCKCoax|
 CLOCKSymmetrical|Custom|D1|D2|DS0Contra|
 DS0Double|DS0Single|DS0Timing|DS1|DS1A|
 DS1C|DS2|DS2RATECoax|DS2RATESymmetrical|
 DS3|DS4NA|E1|E2|E3|E4|ENET100|ENET1250|
 ENETXAUI|FC133|FC266|FC531|FC1063|FC2125|FC4250|
 FST|FW1394BS400B|FW1394BS1600B|HST|INF2_5G|OC1|OC3|
 OC12|OC48|OC48_FEC|PCIEXPRESS|RATE32Mbit|
 RATE97Mbit|RIO_500M|RIO_750M|
 RIO_1G|RIO_2G|RIO_1_5G|RIO_SERIAL_1G|
 RIO_SERIAL_2G|RIO_SERIAL_3G|SAS1_5|SAS3_?|
 SFI5_2|SFI5_3|STM0_CMI|STM0_HDBX|STM1E|STS1|STS3|
 TFI5_2|TFI5_3|VIDEO270|VIDEO292M|VIDEO360|VSROC192}
 TRIGger:A:COMMunication:STANdard?

Related Commands [MASK:STANdard](#)

Arguments The following table shows various standards and their corresponding parameters.

Table 2-19: Communication Trigger Standards

Argument	Code	Bit Rate	Mask Type	Models
ATAG1	NRZ	1.5 Gb/s	Serial ATA	≥2.5 GHz
ATAG2	NRZ	3.0 Gb/s	Serial ATA	
ATAG3	NRZ	6.0 Gb/s	Serial ATA	
CLOCK Coax	None	2.048 Mb/s	ITU-T G.703	All
CLOCK Symmetrical	None	2.048 Mb/s	ITU-T G.703	All
Custom	AMI, B3ZS, B6ZS, B8ZS, CMI, HDB3, MLT3, NRZ	1.544 Mb/s		All

Table 2-19: Communication Trigger Standards (cont.)

Argument	Code	Bit Rate	Mask Type	Models
D1	NRZ	270 Mb/s	Video	All
D2	NRZ	143.18 Mb/s	Video	All
DS0 Contra	AMI	16.0 kb/s	ITU-T G.730	All
DS0 Double	AMI	32.0 kb/s	ITU-T G.730	All
DS0 Single	AMI	64.0 kb/s	ITU-T G.730	All
DS0 Timing	AMI	32.0 kb/s	ITU-T G.730	All
DS1	AMI B8ZS	1.544 Mb/s	ANSI T1.102	All
DS1A	AMI HDB3	2.048 Mb/s	ANSI T1.102	All
DS1C	AMI B8ZS	3.152 Mb/s	ANSI T1.102	All
DS2	AMI B6ZS	6.312 Mb/s	ANSI T1.102	All
DS2RATE Coax	AMI B8ZS	6.312 Mb/s	ITU-T G.703	All
DS2RATE Symmetrical	AMI B6ZS	6.312 Mb/s	ITU-T G.703	All
DS3	AMI B3ZS	44.736 Mb/s	ANSI T1.102	All
DS4NA	CMI	139.3 Mb/s	ANSI T1.102	All
E1	AMI HDB3	2.048 Mb/s	ITU-T G.703	All
E2	AMI HDB3	8.448 MB/s	ITU-T G.703	All
E3	AMI HDB3	34.368 Mb/s	ITU-T G.703	All
E4	CMI	139.26 Mb/s	ITU-T G.703	All
ENET100	MLT3	100 Mb/s	Ethernet	All
ENET1250	NRZ	1.25 Gb/s	Ethernet	≥2.5 GHz
ENETXAU	NRZ	3.125 Gb/s	Ethernet	≥
FC133	NRZ	132.8 Mb/s	Fibre Channel	All
FC266	NRZ	265.6 Mb/s	Fibre Channel	All
FC531	NRZ	531.2 Mb/s	Fibre Channel	≥1.0 GHz
FC1063	NRZ	1.0625 Gb/s	Fibre Channel	
FC2125	NRZ	2.125 Gb/s	Fibre Channel	
FC4250	NRZ	4.256 Gb/s	Fibre Channel	
FST	NRZ	12.0 Mb/s	USB 1.1/2.0	All
FW1394 BS400B	NRZ	491.5 Mb/s	IEEE1394b	≥1.0 GHz
FW1394 BS1600B	NRZ	1.966 Gb/s	IEEE1394b	
HST	NRZ	480 Mb/s	USB 1.1/2.0	≥1.0 GHz
INF_5G	NRZ	2.5 Gb/s	Infiniband	
OC1	NRZ	51.84 Mb/s	SONET/SDH	All
OC3	NRZ	155.52 Mb/s	SONET/SDH	All
OC12	NRZ	622.08 Mb/s	SONET/SDH	≥1.0 GHz
OC48	NRZ	2.4883 Gb/s	Sonet	

Table 2-19: Communication Trigger Standards (cont.)

Argument	Code	Bit Rate	Mask Type	Models
OC48 FEC	NRZ	2.666 Gb/s	Sonet	
PCIEXPRESS	NRZ	2.5 Gb/s	PCI-Express	
RATE32Mbit	NRZ	32.064 Mb/s	ITU	
RATE97Mbit	NRZ	97.728 Mb/s	ITU	
RIO_500M	NRZ	500 Mb/s	RapidIO/LP-LVDS	≥1.0 GHz
RIO_750_M	NRZ	1 Gb/s	RapidIO/LP-LVDS	
RIO_1G	NRZ	1 Gb/s	RapidIO/LP-LVDS	
RIO_1_5_G	NRZ	2 Gb/s	RapidIO/LP-LVDS	
RIO_SERIAL_1G	NRZ	1.25 Gb/s	RapidIO/LP-LVDS	
RIO_SERIAL_2G	NRZ	2.5 Gb/s	RapidIO/LP-LVDS	
RIO_SERIAL_3G	NRZ	3.125 Gb/s	RapidIO/LP-LVDS	
SAS1_5	NRZ		SAS	
SAS3_?	NRZ		SAS	
SFI5_2	NRZ	2.488 Gb/s	OIF	
SFI5_3	NRZ	3.125 Gb/s	OIF	
STM0_CMI	NRZ	51.84 Mb/s	ITU	
STM0_HDBX	NRZ	51.84 Mb/s	ITU	
STM1E	NRZ	155.52 Mb/s	ITU	
STS1	NRZ	51.840 Mb/s	ANSI T1.102	
STS3	NRZ	155.52 Mb/s	ANSI T1.102	
TFI5_2	NRZ	2.488 Gb/s	OIF	
TFI5_3	NRZ	3.1104 Gb/s	OIF	
VIDEO270	NRZ	270 Mb/s	Video	≥500 MHz
VIDEO292M	NRZ	1.485 Gb/s	Video	≥2.5 GHz
VIDEO360	NRZ	360 Mb/s	Video	≥500 MHz
VSROC192	NRZ	1.24116 Gb/s	OIF	

Examples TRIGGER:A:COMMUNICATION:STANDARD E4 sets the standard to E4.

TRIGGER:A:COMMUNICATION:STANDARD? might return
:TRIGGER:A:COMMUNICATION:SOURCE:STANDARD DS1.

TRIGger:A:HOLDoff? (Query Only)

This query-only command returns the A trigger holdoff parameters. These parameters specify the time period during which the trigger circuitry is not looking to generate a trigger event. This command is equivalent to selecting Holdoff from the Trig menu and then viewing the current settings.

Group Trigger

Syntax TRIGger:A:HOLDoff?

Related Commands [TRIGger:A:HOLDoff:ACTUal?](#), [TRIGger:A:HOLDoff:BY](#), [TRIGger:A:HOLDoff:TIME](#)

Examples TRIGGER:A:HOLDOFF? might return :TRIGGER:A:HOLDOFF:TIME 900.0000E-09;BY DEFAULT, indicating that the A edge trigger holdoff time (by default) is set to 900 ns.

TRIGger:A:HOLDoff:ACTUal? (Query Only)

This query-only command returns the holdoff time actually used (expressed in seconds) by the A trigger. This command is equivalent to selecting Holdoff from the Trig menu and then viewing the current Trig Holdoff value.

Group Trigger

Syntax TRIGger:A:HOLDoff:ACTUal?

Related Commands [TRIGger:A:HOLDoff?](#), [TRIGger:A:HOLDoff:BY](#), [TRIGger:A:HOLDoff:TIME](#)

Examples TRIGGER:A:HOLDOFF:ACTUAL? might return :TRIGGER:A:HOLDOFF:ACTUAL 4.0000E-06, indicating that the holdoff time is set to 4 μ s.

TRIGger:A:HOLDoff:BY

This command sets or queries the type of holdoff for the A trigger. Holdoff types are expressed as either user-specified time (TIME) or by an internally calculated minimum time value (DEFAULT/AUTO). This command is equivalent to selecting Holdoff from the Trig menu and then setting the Holdoff type.

Group Trigger

Syntax TRIGger:A:HOLDoff:BY {TIME|DEFAULT|RANDOM|AUTO}
TRIGger:A:HOLDoff:BY?

Related Commands [TRIGger:A:HOLDoff:TIME](#)

- Arguments** TIME enables you to set the holdoff time via the [TRIGger:A:HOLDoff:TIME](#) command.
- DEFAuLt automatically calculates a holdoff time to use. This time is typically equivalent to the greater of 1/2 screen (5 divisions) of time or 250 ns. The maximum value is 12 s. For example, if the instrument is set to 1 ms/division then the default holdoff will be 1 ms/division x 25 divisions = 25 ms.
- Examples** TRIGGER:A:HOLDOFF:BY TIME sets the holdoff to the “by time” setting. This enables you to set the holdoff time.
- TRIGGER:A:HOLDOFF:BY? might return :TRIGGER:A:HOLDOFF:BY TIME, indicating that you will set the holdoff time.

TRIGger:A:HOLDoff:TIME

This command sets or queries the A trigger holdoff time. This command is equivalent to selecting Holdoff from the Trig menu and then choosing the desired Trig Holdoff.

Group Trigger

Syntax TRIGger:A:HOLDoff:TIME <NR3>
TRIGger:A:HOLDoff:TIME?

Related Commands [TRIGger:A:HOLDoff:BY](#)

- Arguments** <NR3> specifies the holdoff time in seconds. The range is from 250 ns through 12.0 s.
- Examples** TRIGGER:A:HOLDOFF:TIME 10 sets the A trigger holdoff time to 10 s.
- TRIGGER:A:HOLDOFF:TIME? might return :TRIGGER:A:HOLDOFFTIME 1.2000E-06, indicating that the A trigger holdoff time is set to 1.2 μ s.

TRIGger:A:I2C:ADDReSS:MODE

DPO7000 Series only: This command sets or queries the I2C address mode to 7 or 10-bit.

Group	Low Speed Serial Trigger
Syntax	TRIGger:A:I2C:ADDRESS:MODE {ADDR7 ADDR10} TRIGger:A:I2C:ADDRESS:MODE?
Arguments	ADDR7 specifies the 7-bit I2C address mode. ADDR10 specifies the 10-bit I2C address mode.
Examples	TRIGGER:A:I2C:ADDRESS:MODE ADDR10 sets the I2C address mode to 10-bit. TRIGGER:A:I2C:ADDRESS:MODE? might return :TRIGGER:A:I2C:ADDRESS:MODE ADD7, indicating that the I2C address mode is set to 7-bit.

TRIGger:A:I2C:ADDRESS:RWINClude

Sets the I2C read/write bit to address type.

Group	Low Speed Serial Trigger
Syntax	TRIGger:A:I2C:ADDRESS:RWINClude {OFF ON} TRIGger:A:I2C:ADDRESS:RWINClude?
Arguments	ON specifies the I2C read/write bit to address type. OFF specifies to stop the I2C read/write bit to address type.
Examples	TRIGGER:A:I2C:ADDRESS:RWINCLUDE ON sets the read/write bit to address type. TRIGGER:A:I2C:ADDRESS:RWINCLUDE? might return :TRIGGER:A:I2C:ADDRESS:RWINCLUDE OFF, indicating that the read/write bit stops specifying the address type.

TRIGger:A:I2C:ADDRESS:TYPE

DPO7000 Series only: This command sets or queries the I2C address type.

Group	Low Speed Serial Trigger
--------------	--------------------------

Syntax	<pre>TRIGger:A:I2C:ADDRESS:TYPE {GENERALcall STARTbyte TENbit NONE} TRIGger:A:I2C:ADDRESS:TYPE?</pre>
Arguments	<p>GENERALCALL specifies a generalcall address type.</p> <p>STARTBYTE specifies a startbyte address type.</p> <p>TENBIT specifies a tenbit address type.</p> <p>NONE specifies I2C address type of none.</p>
Examples	<p>TRIGGER:A:I2C:ADDRESS:TYPE NONE sets the I2C address type to none.</p> <p>TRIGGER:A:I2C:ADDRESS:TYPE? might return :TRIGGER:A:I2C:ADDRESS:TYPE TENBIT, indicating that the I2C address type is set to tenbit.</p>

TRIGger:A:I2C:ADDRESS:VALue

DPO7000 Series only: This command sets or queries the binary address string used for the I2C trigger if the trigger condition is ADDR or ADDRANDDATA.

Group	Low Speed Serial Trigger
Syntax	<pre>TRIGger:A:I2C:ADDRESS:VALue <String> TRIGger:A:I2C:ADDRESS:VALue?</pre>
Arguments	String is up to 7 or 10 bits depending on the address mode that specifies the address.
Examples	<p>TRIGGER:A:I2C:ADDRESS:VALUE 1011 sets the I2C address value to 1011.</p> <p>TRIGGER:A:I2C:ADDRESS:VALUE? might return :TRIGGER:A:I2C:ADDRESS:VALUE 10111, indicating that the I2C address value is set to 10111.</p>

TRIGger:A:I2C:CLOCK:LEVel

DPO7000 Series only: This command sets or queries the clock source for the I2C Serial Trigger.

Group	Low Speed Serial Trigger
Syntax	TRIGger:A:I2C:CLOCK:LEVEl <NR3> TRIGger:A:I2C:CLOCK:LEVEl?
Arguments	NR3 specifies the I2C clock level. The clock level range is ± 5 .
Examples	TRIGGER:A:I2C:CLOCK:LEVEL 0.0 sets the I2C clock level to 0.0. TRIGGER:A:I2C:CLOCK:LEVEL? might return :TRIGGER:A:I2C:CLOCK:LEVEL 5.0000, indicating that the I2C clock level is set to 5.

TRIGger:A:I2C:CLOCK:SOURce

DPO7000 Series only: This command sets or queries the clock source for the I2C Serial Trigger.

Group	Low Speed Serial Trigger
Syntax	TRIGger:A:I2C:CLOCK:SOURce CH<x> TRIGger:A:I2C:CLOCK:SOURce?
Arguments	CH<x> specifies the clock source. X can be 1 through 4.
Examples	TRIGGER:A:I2C:CLOCK:SOURCE CH1 sets the I2C clock source to channel CH1. TRIGGER:A:I2C:CLOCK:SOURCE? might return :TRIGGER:A:I2C:CLOCK:SOURCE CH3, indicating that the I2C clock source is set to CH3.

TRIGger:A:I2C:CONDition

DPO7000 Series only: This command sets or queries the trigger condition for the I2C trigger.

Group	Low Speed Serial Trigger
Syntax	TRIGger:A:I2C:CONDition {START STOP REPEATstart ACKMISS ADDRESS DATA ADDRANDDATA}

TRIGger:A:I2C:CONDition?

- Arguments**
- START specifies triggering on the start of a packet.
 - STOP specifies triggering on the stop packet.
 - REPEATSTART specifies triggering on a repeated start of packet.
 - ACKMISS specifies triggering on a missing acknowledgement.
 - ADDRESS specifies triggering on the address.
 - DATA specifies triggering on the specified data.
 - ADDRANDDATA specifies triggering on the specified data and address.

- Examples**
- TRIGGER:A:I2C:CONDITION START sets the trigger condition for the I2C trigger on the start of the packet.
- TRIGGER:A:I2C:CONDITION? might return :TRIGGER:A:I2C:CONDITION DATA, indicating that the trigger condition for the I2C trigger is set on specified data.

TRIGger:A:I2C:DATA:DIRection

DPO7000 Series only: This command sets or queries the I2C trigger condition valid on a READ, WRITE, or either.

Group Low Speed Serial Trigger

Syntax TRIGger:A:I2C:DATA:DIRection {READ|WRITE|NOCARE}
TRIGger:A:I2C:DATA:DIRection?

- Arguments**
- READ specifies read as the data direction.
 - WRITE specifies write as the data direction.
 - NOCARE specifies either as the data direction.

- Examples**
- TRIGGER:A:I2C:DATA:DIRECTION WRITE sets the I2C data direction to write.
- TRIGGER:A:I2C:DATA:DIRECTION? might return :TRIGGER:A:I2C:DATA:DIRECTION READ, indicating that the I2C data direction is set on read.

TRIGger:A:I2C:DATA:LEVel

DPO7000 Series only: This command sets or queries the threshold level for the I2C data source.

Group Low Speed Serial Trigger

Syntax TRIGger:A:I2C:DATA:LEVel <NR3>
TRIGger:A:I2C:DATA:LEVel?

Arguments <NR3> specifies the I2C data level with a range of $\pm\%.0$.

Examples TRIGGER:A:I2C:DATA:LEVEL 0.0 sets the I2C data level to 0.0.
TRIGGER:A:I2C:DATA:LEVEL? might return :TRIGGER:A:I2C:DATA:LEVEL 0.0, indicating that the I2C data level is set on 0.0.

TRIGger:A:I2C:DATA:SOURce

DPO7000 Series only: This command sets or queries the data source for the I2C serial trigger.

Group Low Speed Serial Trigger

Syntax TRIGger:A:I2C:DATA:SOURce CH<x>
TRIGger:A:I2C:DATA:SOURce?

Arguments CH<x> specifies the data source. X can be 1 through 4.

Examples TRIGGER:A:I2C:DATA:SOURCE CH1 sets the data source for the I2C serial trigger to channel CH1.
TRIGGER:A:I2C:DATA:SOURCE? might return :TRIGGER:A:I2C:DATA:SOURCE CH4, indicating that the data source for the I2C serial trigger is set on channel CH4.

TRIGger:A:I2C:DATA:START

DPO7000 Series only: This command sets or queries the data start byte. This byte is only needed if triggering on data. This byte is the first byte that pattern matching uses. The byte is a destination offset from the start of the packet.

Group Low Speed Serial Trigger

Syntax TRIGger:A:I2C:DATA:START <NR3>
TRIGger:A:I2C:DATA:START?

Arguments <NR3> specifies the data start byte (offset), with a range of 0 to 65535.

Examples TRIGGER:A:I2C:DATA:START 0 specifies the I2C data start byte offset to 0.
TRIGGER:A:I2C:DATA:START? might return :TRIGGER:A:I2C:DATA:START 5, indicating that the I2C data start byte offset is set to 5.

TRIGger:A:I2C:DATA:VALue

DPO7000 Series only: This command sets or queries the binary data string used for I2C triggering if the trigger condition is DATA or ADDRANDDATA.

Group Low Speed Serial Trigger

Syntax TRIGger:A:I2C:DATA:VALue <String>
TRIGger:A:I2C:DATA:VALue?

Arguments String sets the I2C data value. This value can be 1 to 32 bits.

Examples TRIGGER:A:I2C:DATA:VALUE "1011" sets the I2C data value to 1011.
TRIGGER:A:I2C:DATA:VALUE? might return :TRIGGER:A:I2C:DATA:VALUE 10111, indicating that the I2C data value is set to 10111.

TRIGger:A:I2C:FORMat

DPO7000 Series only: This command sets or queries the display format for the I2C data value.

Group	Low Speed Serial Trigger
Syntax	TRIGger:A:I2C:FORMat {BINary HEX} TRIGger:A:I2C:FORMat?
Arguments	BINary specifies binary format for I2C triggering. HEX specifies hexadecimal format for I2C triggering.
Examples	TRIGGER:A:I2C:FORMAT HEX sets the I2C trigger format to hexadecimal. TRIGGER:A:I2C:FORMAT? might return :TRIGGER:A:I2C:FORMAT BINARY, indicating that the I2C trigger format is set to binary.

TRIGger:A:LOGIc? (Query Only)

This query-only command returns all of the logic trigger parameters.

Group	Trigger
Syntax	TRIGger:A:LOGIc?
Related Commands	TRIGger:{A B}:LOGIc:CLAss
Examples	TRIGGER:A:LOGIC? might return :TRIGGER:A:LOGIC:CLASS PATTERN; FUNCTION AND;WHEN TRUE; THRESHOLD:CH1 1.4000;CH2 1.4000;CH3 1.4000; CH4 1.4000;;:TRIGGER:A:LOGIC:INPUT:CH1 HIGH; CH2 X;CH3 X; :TRIGGER:A:LOGIC:PATTERN:INPUT:CH4 X; :TRIGGER:A:LOGIC:PATTERN:WHEN TRUE; WHEN:LESSLIMIT 5.0000E-9; MORELIMIT 5.0000E-9; :TRIGGER:A:LOGIC:SETHOLD:CLOCK:EDGE RISE; THRESHOLD 1.4000;SOURCE CH2; :TRIGGER:A:LOGIC:SETHOLD:DATA:THRESHOLD 1.4000;SOURCE CH1; :TRIGGER:A:LOGIC:SETHOLD:HOLDTIME2.0000E-9; SETTIME 3.0000E-9; :TRIGGER:A:LOGIC:STATE:INPUT:CH4 RISE; :TRIGGER:A:LOGIC:STATE:WHEN TRUE.

TRIGger:A:MODe

This command sets or queries the A trigger mode. This command is equivalent to selecting Mode from the Trig menu and then choosing the desired Trigger Mode.

Group	Trigger
Syntax	TRIGger:A:MODE {AUTO NORMa1} TRIGger:A:MODE?
Related Commands	TRIGger:{A B}:LEVel
Arguments	AUTO generates a trigger if one is not detected within a specified time period. NORMa1 waits for a valid trigger event.
Examples	TRIGGER:A:MODE NORMAL sets the trigger mode to normal. TRIGGER:A:MODE? might return :TRIGGER:A:MODE AUTO, indicating that the trigger mode is auto.

TRIGger:A:PULse:WINDow:POLarity

This command sets or queries the pulse trigger window polarity of the selected trigger Source. The instrument triggers when the signal exits the window. This command is available only when the Window Event is set to Inside > t and not available for the rest of the window events. The logic selection is available only when the polarity is set to Either.

Group	Trigger
Syntax	TRIGger:A:PULse:WINDow:POLarity {EITHer NEGATive POSITIVe} TRIGger:A:PULse:WINDow:POLarity?
Arguments	EITHer specifies positive or negative polarity. NEGATive specifies a negative polarity. POSITIVe specifies a positive polarity.
Examples	TRIGGER:A:PULSE:WINDOW:POLARITY POSITIVE sets the window polarity to positive. TRIGGER:A:PULSE:WINDOW:POLARITY? might return :TRIGGER:A:PULSE:WINDOW:POLARITY EITHER, indicating that the window polarity is either positive or negative.

TRIGger:A:PULse:WINDow:POLarity:CH<x>

This command sets or queries the pulse trigger window polarity of the specified channel. The oscilloscope triggers only when the signal exits the window. This command is available only when the Window Event is set to Inside > t and not available for the rest of the window events. The logic selection is available only when the polarity is set to Either. <x> is the search number or channel number.

Group	Trigger
Syntax	TRIGger:A:PULse:WINDow:POLarity:CH<x> {EITHer NEGATive POSITIVe} TRIGger:A:PULse:WINDow:POLarity:CH<x>?
Arguments	EITHer specifies positive or negative polarity. NEGATive specifies a negative polarity. POSITIVe specifies a positive polarity.
Examples	TRIGGER:A:PULSE:WINDOW:POLARITY:CH<x> POSITIVE sets the window polarity to positive. TRIGGER:A:PULSE:WINDOW:POLARITY:CH<x>? might return :TRIGGER:A:PULSE:WINDOW:POLARITY:CH<x> EITHER, indicating that the window polarity is either positive or negative.

TRIGger:A:RS232:BAUd

DPO7000 Series only: This command sets or queries the baud rate for RS232 triggering.

Group	Low Speed Serial Trigger
Syntax	TRIGger:A:RS232:BAUd <x> TRIGger:A:RS232:BAUd?
Arguments	X specifies the baud rate for RS232 triggering. X can be: 1500000, 921600, 750000, 460800, 115200, 57600, 38400, 19200, 9600, 7200, 4800, 2400, 2000, 1800, 1200, 600, 300, 150, or 75.

Examples TRIGGER:A:RS232:BAUD 2000 sets the RS232 triggering baud rate to 2000.
 TRIGGER:A:RS232:BAUD? might return :TRIGGER:A:RS232:BAUD 1800, indicating that the RS232 triggering baud rate is set to 1800.

TRIGger:A:RS232:DATA:LEVel

DPO7000 Series only: This command sets or queries the threshold for the RS232 data source.

Group Low Speed Serial Trigger

Syntax TRIGger:A:RS232:DATA:LEVel <NR3>
 TRIGger:A:RS232:DATA:LEVel?

Arguments <NR3> specifies the threshold level with a range of ± 5.0 .

Examples TRIGGER:A:RS232:DATA:LEVEL 0.0 sets the threshold for the RS232 data source to 0.0.
 TRIGGER:A:RS232:DATA:LEVEL? might return :TRIGGER:A:RS232:DATA:LEVEL 5.0, indicating that the threshold for the RS232 data source is set to 5.0.

TRIGger:A:RS232:DATA:SOURce

DPO7000 Series only: This command sets or queries the RS232 data source.

Group Low Speed Serial Trigger

Syntax TRIGger:A:RS232:DATA:SOURce CH<x>
 TRIGger:A:RS232:DATA:SOURce?

Arguments CH<x> specifies the RS232 data source. X can be 1, 2, 3, or 4.

Examples TRIGGER:A:RS232:DATA:SOURCE CH2 sets the RS232 data source to channel CH2.
 TRIGGER:A:RS232:DATA:SOURCE? might return :TRIGGER:A:RS232:DATA:SOURCE CH1, indicating that the RS232 data source is set to channel CH1.

TRIGger:A:RS232:DATA:VALue

DPO7000 Series only: This command sets or queries the binary data string used for RS232 triggering.

Group Low Speed Serial Trigger

Syntax TRIGger:A:RS232:DATA:VALue <String>
TRIGger:A:RS232:DATA:VALue?

Arguments <NR3> specifies the RS232 data value. The value can be up to 8 bits.

Examples TRIGGER:A:RS232:DATA:VALUE "1011" sets the RS232 triggering data value to 1011.

TRIGGER:A:RS232:DATA:VALUE? might return
:TRIGGER:A:RS232:DATA:VALUE 10111, indicating that the RS232 data value is set to 10111.

TRIGger:A:RS232:FORMat

DPO7000 Series only: This command sets or queries the display format for the RS232 data value.

Group Low Speed Serial Trigger

Syntax TRIGger:A:RS232:FORMat {BINary|HEX}
TRIGger:A:RS232:FORMat?

Arguments BINary specifies binary for the display format.
HEX specifies hexadecimal for the display format.

Examples TRIGGER:A:RS232:FORMAT HEX sets the display format for the RS232 data to hexadecimal.

TRIGGER:A:RS232:FORMAT? might return
:TRIGGER:A:RS232:DATA:FORMAT BINARY, indicating that the display format for the RS232 data is set to binary.

TRIGger:A:RS232:PARity

DPO7000 Series only: This command sets or queries the state of the RS232 parity bit.

Group Low Speed Serial Trigger

Syntax TRIGger:A:RS232:PARity {NONE|EVEN|ODD}
TRIGger:A:RS232:PARity?

Arguments NONE specifies no parity.
EVEN specifies even RS232 parity.
ODD specifies odd RS232 parity.

Examples TRIGGER:A:RS232:PARITY EVEN sets the RS232 parity to even.
TRIGGER:A:RS232:PARITY ? might return :TRIGGER:A:RS232:PARITY ODD, indicating that the RS232 parity is set to odd.

TRIGger:A:SERIAL:BITRate

This command sets or queries the clock/data bit rate. Changing the bit rate causes the standard to become “custom”. It remains “custom” until another standard is chosen.

Group Low Speed Serial Trigger

Syntax TRIGger:A:SERIAL:BITRate <NR3>
TRIGger:A:SERIAL:BITRate?

Arguments <NR3> This is the series bit rate and is expressed in bits per second. The range is 1.5e6 to 1.25e9.

Examples TRIGGER:A:SERIAL:BITRATE 51.8400E+6 sets the bit rate to 51.84 Mb/s/second.
TRIGGER:A:SERIAL:BITRATE? might return :TRIGGER:A:SERIAL:BITRATE 51.8400E+6, indicating that the bit rate is set to 51.84 Mb/s/second.

TRIGger:A:SERIAL:CLOCK:LEVel

This command sets or queries the serial trigger clock level.

Group Low Speed Serial Trigger

Syntax TRIGger:A:SERIAL:CLOCK:LEVel <NR3>
TRIGger:A:SERIAL:CLOCK:LEVel?

Arguments <NR3> is a value in the range of 9.9E37 and is expressed in volts.

Examples TRIGGER:A:SERIAL:CLOCK:LEVEL 0.0 sets the clock level to 0 V.
TRIGGER:A:SERIAL:CLOCK:LEVEL? might return
:TRIGGER:A:SERIAL:CLOCK:LEVEL 51.8400E+6, indicating
that the 32.0000E-3 indicating that the serial trigger clock level is set to
51.84E6 volts.

TRIGger:A:SERIAL:CLOCK:POLarity

This command sets or queries the serial clock polarity.

Group Low Speed Serial Trigger

Syntax TRIGger:A:SERIAL:CLOCK:POLarity {RISe|FALL}
TRIGger:A:SERIAL:CLOCK:POLarity?

Arguments RISe specifies to trigger on the rising or positive edge of a signal.
FALL specifies to trigger on the falling or negative edge of a signal.

Examples TRIGGER:A:SERIAL:CLOCK:POLARITY RISE sets the clock polarity to rise.
TRIGGER:A:SERIAL:CLOCK:POLARITY? might return
:TRIGGER:A:SERIAL:CLOCK:POLARITY FALL, indicating that the
clock polarity is set to fall.

TRIGger:A:SERIAL:CLOCK:SOURce

This command sets or queries the serial data source channel.

Group	Low Speed Serial Trigger
Syntax	TRIGger:A:SERIAL:CLOCK:SOURce {CH1 CH2 CH3 CH4 RECOVERed} TRIGger:A:SERIAL:CLOCK:SOURce?
Arguments	CH1-4 specifies one of the input channels. RECOVERED specifies clock polarity and level are extracted from the serial data stream and other clock parameters are ignored.
Examples	TRIGGER:A:SERIAL:CLOCK:SOURCE CH1 sets the serial source channel to CH1. TRIGGER:A:SERIAL:CLOCK:SOURCE? might return :TRIGGER:A:SERIAL:CLOCK:SOURCE CH3, indicating that the serial source channel is set to CH3.

TRIGger:A:SERIAL:CODE

This command sets or queries the signal code.

Group	Low Speed Serial Trigger
Syntax	TRIGger:A:SERIAL:CODE {NRZ S8B10B} TRIGger:A:SERIAL:CODE?
Arguments	NRZ sets the code to NRZ. S8B10B sets the code to S8B0B.
Examples	TRIGGER:A:SERIAL:CODE NRZ sets the signal code to NRZ. TRIGGER:A:SERIAL:CODE? might return :TRIGGER:A:SERIAL:CODE S8B10B, indicating that the signal code is set to S8B0B.

TRIGger:A:SERIAL:DATA:FORMAT

This command sets or queries how the Pattern string is formatted.

Group	Low Speed Serial Trigger
--------------	--------------------------

Syntax TRIGGER:A:SERIAL:DATA:FORMAT {BINary|HEX}
 TRIGGER:A:SERIAL:DATA:FORMAT?

Arguments BINary pattern symbols are: {'SPACE'|0|1|X} 'SPACE' is white space and can be included to make the 32 bit pattern easier to read when setting the pattern.
 HEX pattern symbols are used only with NRZ. They are: {'|0|1|2|3|4|5|6|7|8|9|A|B|C|D|E|F|X|?'} Hex 'X' represents the bit pattern 'XXXX'. Hex '?' represents any other binary bit pattern which doesn't have a hex representation, such as '00X1'.

Examples TRIGGER:A:SERIAL:DATA:FORMAT BINARY sets the Pattern string to a binary format.
 TRIGGER:A:SERIAL:DATA:FORMAT? might return
 :TRIGGER:A:SERIAL:CODE HEX, indicating that the Pattern string is set to a hexadecimal format.

TRIGger:A:SERIAL:DATA:PATtern

This command sets or queries the data pattern to allow up to 32 bit serial patterns.

Group Low Speed Serial Trigger

Syntax TRIGger:A:SERIAL:DATA:PATtern <string>
 TRIGger:A:SERIAL:DATA:PATtern?

Arguments STRING specifies the serial pattern to trigger on. The default value is "01", such that there are up to 64 characters total.

Examples If one sets the data format to binary with a TRIGGER: A:SERIAL:DATA:FORMAT command, as follows: TRIGger:A:SERIAL:DATA:FORMAT BIN then the following query: TRIGger:A:SERIAL:DATA:PATTERN? might return the following characters: 1101XXXX10 :

If one next sets the data format to hexadecimal with the TRIGGER:A:SERIAL:DATA:FORMAT commands as follows: TRIGger:A:SERIAL:DATA:FORMAT HEX then the following query: TRIGger:A:SERIAL:DATA:PATTERN? might return the following characters: 3?? Showing, in this case, 3 followed by two "?". Each hex character has replaced four binary characters. The hex "???" has replaced the binary

”01XXXX10”. The “?” was used because “01XX” and “XX10” don’t have an exact hex representations.

If one sends: `TRIGGER:A:SERIAL:DATA:PATTERN “XXXX XXXa”` this will set the pattern to eight hex digits. The space in the middle only serves to make the pattern easier to read.

Now, if one sends the following query: `TRIGGER:A:SERIAL:DATA:PATTERN?` this might return: `XXXXXXXXA` showing the effect of the pattern sent in example 3. The cosmetic space from example 3 is not returned.

Finally, one could change the data format back to binary with the `TRIGGER:A:SERIAL:DATA:FORMAT` command, as follows:
`TRIGGER:A:SERIAL:DATA:FORMAT BIN` then one could query the instrument using the pattern command, as follows: `TRIGGER:A:SERIAL:DATA:PATTERN?`
 This could return: `XXXXXXXXXXXXXXXXXXXXXXXXXXXXXXXX1010` showing the response due to the binary format. Four binary characters “1010” now replace the hex character “A”.

TRIGger:A:SERIAL:LOCKLen

This command sets or queries the length in bits of the repeating bit pattern for pattern lock trigger.

Group	Low Speed Serial Trigger
Syntax	<code>TRIGGER:A:SERIAL:LOCKLen <NR1></code> <code>TRIGGER:A:SERIAL:LOCKLen?</code>
Arguments	<NR1> specifies the length in bits. The valid values are 1 to 2147483647.
Examples	<code>TRIGGER:A:SERIAL:LOCKLEN2640</code> sets the repeating bit pattern length to 2640 bits. <code>TRIGGER:A:SERIAL:LOCKLEN?</code> might return <code>:TRIGGER:A:SERIAL:LOCKLEN 10000</code> , indicating that the Pattern string is set to a 10000 bits.

TRIGger:A:SERIAL:LOCKOffset

This command sets or queries the current bit offset into the pattern lock trigger bit pattern.

Group	Low Speed Serial Trigger
--------------	--------------------------

Syntax TRIGger:A:SERIAL:LOCKOffset <NR1>
TRIGger:A:SERIAL:LOCKOffset?

Arguments <NR1> specifies the bit offset. The valid values are 1 to 2147483646.

Examples TRIGGER:A:SERIAL:LOCKOFFSET 10 sets the current bit offset to 10 bits.
TRIGGER:A:SERIAL:LOCKOFFSET? might return
:TRIGGER:A:SERIAL:LOCKOFFSET 20, indicating that the
current bit offset is set to a 20 bits.

TRIGger:A:SERIAL:SOURce

This command sets or queries the serial data source channel.

Group Low Speed Serial Trigger

Syntax TRIGger:A:SERIAL:SOURce {CH1|CH2|CH3|CH4}
TRIGger:A:SERIAL:SOURce?

Arguments CH1-4 specifies one of the input channels.

Examples TRIGGER:A:SERIAL:SOURCE CH1 sets the serial data source channel to CH1.
TRIGGER:A:SERIAL:SOURCE? might return :TRIGGER:A:SERIAL:SOURCE
CH4, indicating that the serial data source channel is set to CH4.

TRIGger:A:SERIAL:STANdard

This command sets or queries the standard that identifies the code and bit rate.

Group Low Speed Serial Trigger

Syntax TRIGger:A:SERIAL:STANdard
{FC133|FC266|FC531|FC1063|D1|D2|VIDEO270|VIDEO360|OC1|OC3|
OC12|ENET1250|FW1394BS400B|FW1394BS800B|CUSTOm|ENET100FX|
RIO_500M|RIO_750M|RIO_1G|RIO_SERIAL_1G|VSROC192|ENETXAUI|
SAS3_?|PCIExpress|INFINIBAND|RIO_SERIAL_2G|RIO_SERIAL_3G|

FC2125 | RIO_2G | FW1394BS1600B | SAS1_5 | ENETXAUI | ENETXAUI2 |
 FC2125 | FC4250 | FW1394BS1600B | INFINIBAND | PCIExpress | PCIExpress2 |
 RIO_2G | RIO_500M | RIO_750M | RIO_SERIAL_1G | RIO_SERIAL_2_5G |
 RIO_SERIAL_3G | SAS6_0 | SATA1_5 | SATA3_0 | SATA6_0 }
 TRIGger:A:SERIAL:STANDard?

Related Commands

Arguments

All of the standards may not be available on every instrument.

CUSTOM: NRZ, 155.5 Mb/s

ENET100FX: MLT3, 100 Mb/s

ENET1250: NRZ, 3.125 Gb/s

ENETXAUI: NRZ, 1.25 Gb/s

ENETXAUI2: NRZ, 6.25 Gb/s

FC133: NRZ, 132.8 Mb/s

FC266: NRZ, 265.6 Mb/s

FC2125: NRZ, 2.125 Gb/s

FC4250: NRZ, 4.25 Gb/s

FC531: NRZ, 531.2 Mb/s

FC1063: NRZ, 1.063 Gb/s

FW1394BS400B: NRZ, 491.5 Mb/s

FW1394BS1600B: NRZ, 1.966 Gb/s

FW1394BS800B: NRZ, 983.0 Mb/s

INFINIBAND: NRZ, 2.5 Gb/s

OC1: NRZ, 51.84 Mb/s

OC3: NRZ, 155.5 Mb/s

OC12: NRZ, 622.1 Mb/s

PCIExpress: NRZ, 2.5 Gb/s

PCIExpress2: NRZ, 5.0 Gb/s

RIO_2G: NRZ, 2.0Gb/s

RIO_500M: NRZ, 500 Mb/s, triggers RIO_DRV500, RIO_EDRV500M, and RIO_RCV500, 500Mb/s

RIO_750M: NRZ, 750 Mb/s, triggers RIO_DRV750, RIO_EDRV750M, and RIO_RCV750, 750Mb/s

RIO_1G: NRZ, 1.0 Gb/s, triggers RIO_1G
RIO_SERIAL_1G: NRZ, 1.25 Gb/s, triggers RIO_Serial_1G
RIO_SERIAL_2_5G: NRZ, 2.5 Gb/s, triggers RIO_Serial_1G
RIO_SERIAL_3G: NRZ, 3.0 Gb/s, triggers RIO_Serial_1G
SAS6_0: NRZ, SAS6_0
SATA1_5: NRZ, 1.5 Gb/s
SATA3_0: NRZ, 3.0 Gb/s
SATA6_0: NRZ, 6.0 Gb/s
VSROC192: NRZ, 1.2441 Gb/s, triggers VSR OC192/STM64

Examples TRIGGER:A:SERIAL:STANDARD OC1 sets the standard that identifies the code and bit rate to NRZ, 51.84 Mb/s.
TRIGGER:A:SERIAL:STANDARD? might return
:TRIGGER:A:SERIAL:STANDARD CUSTOM, indicating that the standard that identifies the code and bit rate is set to NRZ, 155.5 Mb/s.

TRIGger:A:SERIAL:TRIGgeron

This command sets or queries the trigger on a designated arbitrary bit pattern or lock on a repeating pattern of known length.

Group Low Speed Serial Trigger

Syntax TRIGger:A:SERIAL:TRIGgeron {PATtern|LOCK}
TRIGger:A:SERIAL:TRIGgeron?

Arguments PATtern specifies the trigger on a designated arbitrary bit pattern.
LOCK specifies the trigger locks a repeating pattern of known length.

Examples TRIGGER:A:SERIAL:TRIGGERON PATTERN sets trigger on a designated arbitrary bit pattern.
TRIGGER:A:SERIAL:TRIGGERON? might return
:TRIGGER:A:SERIAL:TRIGGERON LOCK, indicating that the trigger locks a repeating pattern of known length.

TRIGger:A:SPI:CONDition

DPO7000 Series only: This command sets or queries the trigger condition for SPI triggering.

Group Low Speed Serial Trigger

Syntax TRIGger:A:SPI:CONDition {MISO|MOSI|MISOMOSI}
TRIGger:A:SPI:CONDition?

Arguments MISO specifies the MISO condition for SPI triggering.
MOSI specifies the MOSI condition for SPI triggering.
MISOMOSI specifies either the MISO or MOSI condition for SPI triggering.

Examples TRIGGER:A:SPI:CONDITION MOSI sets the SPI trigger condition to MOSI.
TRIGGER:A:SPI:CONDITION? might return :TRIGGER:A:SPI:CONDITION
MOSI, indicating that the SPI trigger condition is set to MOSI.

TRIGger:A:SPI:DATA:MISO:ACTIVE

DPO7000 Series only: This command sets or queries the SPI MISO polarity.

Group Low Speed Serial Trigger

Syntax TRIGger:A:SPI:DATA:MISO:ACTIVE {HIGH|LOW}
TRIGger:A:SPI:DATA:MISO:ACTIVE?

Arguments HIGH specifies HIGH polarity.
LOW specifies LOW polarity.

Examples TRIGGER:A:SPI:DATA:MISO:ACTIVE HIGH sets the SPI trigger MISO polarity to high.
TRIGGER:A:SPI:DATA:MISO:ACTIVE? might return
:TRIGGER:A:SPI:DATA:MISO:ACTIVE LOW, indicating that the SPI MISO polarity is set to low.

TRIGger:A:SPI:DATA:MISO:LEVel

DPO7000 Series only: This command sets or queries the threshold for the SPI MISO data source.

Group Low Speed Serial Trigger

Syntax TRIGger:A:SPI:DATA:MISO:LEVel <NR3>
TRIGger:A:SPI:DATA:MISO:LEVel?

Arguments <NR3> specifies the threshold for the SPI trigger MISO data source. The range is ± 5.0 .

Examples TRIGGER:A:SPI:DATA:MISO:LEVEL 0.0 sets the threshold for the SPI trigger MISO data source to 0.0.

TRIGGER:A:SPI:DATA:MISO:LEVEL? might return
:TRIGGER:A:SPI:DATA:MISO:LEVEL 5.0, indicating that the threshold for the SPI MISO data source is set to 5.0.

TRIGger:A:SPI:DATA:MISO:SOURce

DPO7000 Series only: This command sets or queries the MISO data source for the SPI trigger.

Group Low Speed Serial Trigger

Syntax TRIGger:A:SPI:DATA:MISO:SOURce CH<x>
TRIGger:A:SPI:DATA:MISO:SOURce?

Arguments CH<x> specifies the source for the SPI trigger MISO data source. X can be 1, 2, 3, or 4.

Examples TRIGGER:A:SPI:DATA:MISO:SOURCE CH2 sets the SPI trigger MISO data source to channel CH2.

TRIGGER:A:SPI:DATA:MISO:SOURCE? might return
:TRIGGER:A:SPI:DATA:MISO:SOURCE CH1, indicating that the SPI trigger MISO data source is set to CH1.

TRIGger:A:SPI:DATA:MISO:VALue

DPO7000 Series only: This command sets or queries the binary data string used for the SPI trigger if the trigger condition is set to MISO or MISOMOSI.

Group	Low Speed Serial Trigger
Syntax	TRIGger:A:SPI:DATA:MISO:VALue <String> TRIGger:A:SPI:DATA:MISO:VALue?
Arguments	String specifies the binary data string for the SPI data. You can specify up to 32 bits.
Examples	TRIGGER:A:SPI:DATA:MISO:VALUE "1011" sets the binary data string used for the SPI trigger to 1011. TRIGGER:A:SPI:DATA:MISO:VALUE? might return :TRIGGER:A:SPI:DATA:MISO:VALUE 10111, indicating that the binary data string used for the SPI trigger is set to 10111.

TRIGger:A:SPI:DATA:MOSI:ACTIVE

DPO7000 Series only: This command sets or queries the SPI MOSI polarity.

Group	Low Speed Serial Trigger
Syntax	TRIGger:A:SPI:DATA:MOSI:ACTIVE {HIGH LOW} TRIGger:A:SPI:DATA:MOSI:ACTIVE?
Arguments	HIGH specifies HIGH polarity. LOW specifies LOW polarity.
Examples	TRIGGER:A:SPI:DATA:MOSI:ACTIVE HIGH sets the SPI trigger MOSI polarity to HIGH. TRIGGER:A:SPI:DATA:MOSI:ACTIVE? might return :TRIGGER:A:SPI:DATA:MOSI:ACTIVE LOW, indicating that the SPI MOSI polarity is set to LOW.

TRIGger:A:SPI:DATA:MOSI:LEVel

DPO7000 Series only: This command sets or queries the threshold for the SPI MOSI data source.

Group Low Speed Serial Trigger

Syntax TRIGger:A:SPI:DATA:MOSI:LEVel <NR3>
TRIGger:A:SPI:DATA:MOSI:LEVel?

Arguments <NR3> specifies the threshold for the SPI trigger MOSI data source. The range is ± 5.0 .

Examples TRIGGER:A:SPI:DATA:MOSI:LEVEL 0.0 sets the threshold for the SPI trigger MOSI data source to 0.0.

TRIGGER:A:SPI:DATA:MISO:LEVEL? might return
:TRIGGER:A:SPI:DATA:MISO:LEVEL 5.0, indicating that the threshold for the SPI MOSI data source is set to 5.0.

TRIGger:A:SPI:DATA:MOSI:SOURce

DPO7000 Series only: This command sets or queries the MOSI data source for the SPI trigger.

Group Low Speed Serial Trigger

Syntax TRIGger:A:SPI:DATA:MOSI:SOURce CH<x>
TRIGger:A:SPI:DATA:MOSI:SOURce?

Arguments CH<x> specifies the source for the SPI trigger MOSI data source. X can be 1, 2, 3, or 4.

Examples TRIGGER:A:SPI:DATA:MOSI:SOURCE CH2 sets the SPI trigger MOSI data source to channel CH2.

TRIGGER:A:SPI:DATA:MOSI:SOURCE? might return
:TRIGGER:A:SPI:DATA:MOSI:SOURCE CH1, indicating that the SPI trigger MOSI data source is set to channel CH1.

TRIGger:A:SPI:DATA:MOSI:VALue

DPO7000 Series only: This command sets or queries the binary data string used for the SPI trigger if the trigger condition is set to MOSI or MISOMOSI.

Group	Low Speed Serial Trigger
Syntax	TRIGger:A:SPI:DATA:MOSI:VALue <String> TRIGger:A:SPI:DATA:MOSI:VALue?
Arguments	String specifies the binary data string for the SPI data. You can specify up to 32 bits.
Examples	TRIGGER:A:SPI:DATA:MOSI:VALUE "1011" sets the binary data string used for the SPI trigger to 1011. TRIGGER:A:SPI:DATA:MOSI:VALUE? might return :TRIGGER:A:SPI:DATA:MOSI:VALUE 10111, indicating that the binary data string used for the SPI trigger is set to 10111.

TRIGger:A:SPI:DATA:START

DPO7000 Series only: This command sets or queries the nth data byte on the data source after the signal on the enable slave source switches to the polarity specified by the Slave Select Polarity. The instrument triggers if the pattern Matches beginning at this point.

Group	Low Speed Serial Trigger
Syntax	TRIGger:A:SPI:DATA:START <NR3> TRIGger:A:SPI:DATA:START?
Arguments	<NR3> specifies the SPI start byte data. The data can range from 0 to $2^{16}-1$.
Examples	TRIGGER:A:SPI:DATA:START 0 sets the SPI trigger data start to 0. TRIGGER:A:SPI:DATA:START? might return :TRIGGER:A:SPI:DATA:START 1, indicating that the SPI trigger data is set to 1.

TRIGger:A:SPI:FORMat

DPO7000 Series only: This command sets or queries the SPI trigger data format.

Group Low Speed Serial Trigger

Syntax TRIGger:A:SPI:FORMat {BINary|HEX}
TRIGger:A:SPI:FORMat?

Arguments BINary specifies a binary data format.
HEX specifies a hexadecimal data format.

Examples TRIGGER:A:SPI:FORMAT BINARY sets the SPI trigger data format to BINARY.
TRIGGER:A:SPI:FORMAT? might return :TRIGGER:A:SPI:FORMAT 1,
indicating that the SPI trigger data format is set to HEX.

TRIGger:A:SPI:SCLK:ACTIVE

DPO7000 Series only: This command sets or queries the SPI SCLK polarity.

Group Low Speed Serial Trigger

Syntax TRIGger:A:SPI:SCLK:ACTIVE {RISe|FALL}
TRIGger:A:SPI:SCLK:ACTIVE?

Arguments RISe specifies rising clock polarity.
FALL specifies falling clock polarity.

Examples TRIGGER:A:SPI:SCLK:ACTIVE FALL sets the SPI SCLK polarity to fall.
TRIGGER:A:SPI:SCLK:ACTIVE? might return
:TRIGGER:A:SPI:SCLK:ACTIVE FALL, indicating that the SPI
SCLK polarity is set to FALL.

TRIGger:A:SPI:SCLK:LEVel

DPO7000 Series only: This command sets or queries the threshold for the SPI trigger SCLK.

Group	Low Speed Serial Trigger
Syntax	TRIGger:A:SPI:SCLK:LEve1 <NR3> TRIGger:A:SPI:SCLK:LEve1?
Arguments	<NR3> specifies the SPI trigger SCLK threshold.
Examples	TRIGGER:A:SPI:SCLK:LEVEL 0.0 sets the SPI SCLK threshold to 0.0. TRIGGER:A:SPI:SCLK:LEVEL? might return :TRIGGER:A:SPI:SCLK:LEVEL 5.0, indicating that the SPI SCLK threshold is set to 5.0.

TRIGger:A:SPI:SCLK:SOUrce

DPO7000 Series only: This command sets or queries the SPI SCLK source.

Group	Low Speed Serial Trigger
Syntax	TRIGger:A:SPI:SCLK:SOUrce CH<x> TRIGger:A:SPI:SCLK:SOUrce?
Arguments	CH<x> specifies the SPI SCLK source. X can be 1, 2, 3, or 4.
Examples	TRIGGER:A:SPI:SCLK:SOURCE CH2 sets the SPI SCLK trigger source to channel CH2. TRIGGER:A:SPI:SCLK:SOURCE? might return :TRIGGER:A:SPI:SCLK:SOURCE CH4, indicating that the SPI SCLK trigger source is set to channel CH4.

TRIGger:A:SPI:SS:ACTIVE

DPO7000 Series only: This command sets or queries the SPI trigger Slave Select (SS) polarity.

Group	Low Speed Serial Trigger
Syntax	TRIGger:A:SPI:SS:ACTIVE {HIGH LOW} TRIGger:A:SPI:SS:ACTIVE?

- Arguments** HIGH specifies HIGH for SS polarity.
LOW specifies LOW for SS polarity.
- Examples** TRIGGER:A:SPI:SS:ACTIVE HIGH sets the SPI trigger SS polarity to HIGH.
TRIGGER:A:SPI:SS:ACTIVE? might return :TRIGGER:A:SPI:SS:ACTIVE LOW, indicating that the SPI trigger SS polarity is set to LOW.

TRIGger:A:SPI:SS:LEVel

DPO7000 Series only: This command sets or queries the threshold for the SPI trigger Slave Select (SS) signal.

- Group** Low Speed Serial Trigger
- Syntax** TRIGger:A:SPI:SS:LEVel <NR3>
TRIGger:A:SPI:SS:LEVel?
- Arguments** <NR3> specifies the threshold for the SPI trigger SS line. The threshold range is ± 5.0 .
- Examples** TRIGGER:A:SPI:SS:LEVEL 0.0 sets the threshold level for the SPI trigger SS to 0.0.
TRIGGER:A:SPI:SS:LEVEL? might return :TRIGGER:A:SPI:SS:LEVEL 5.0000, indicating that the threshold level for the SPI trigger SS is set to 5.0.

TRIGger:A:SPI:SS:SOUrce

DPO7000 Series only: This command sets or queries the SPI trigger Slave Select (SS) source.

- Group** Low Speed Serial Trigger
- Syntax** TRIGger:A:SPI:SS:SOUrce CH<x>
TRIGger:A:SPI:SS:SOUrce?
- Arguments** CH<x> specifies the source for the SPI SS signal. X can be 1, 2, 3, or 4.

Examples TRIGGER:A:SPI:SS:SOURCE CH2 sets the SPI trigger Slave Select (SS) source to channel CH2.

TRIGGER:A:SPI:SS:SOURCE? might return :TRIGGER:A:SPI:SS:SOURCE CH1, indicating that the SPI trigger Slave Select (SS) source is set to channel CH1.

TRIGger:A:TYPe

This command sets or queries the type of trigger. Logic and Pulse triggers contain classes. Logic triggers consist of State and Pattern classes; Pulse triggers consist of Glitch, Runt, Width, Transition, Timeout, and Window classes. Once you have set the trigger type, you may also need to identify the associated trigger class. For details on selecting Logic and Pulse trigger classes, see [TRIGger:{A|B}:LOGic:CLAss](#) and [TRIGger:{A|B}:PULse:CLAss](#) respectively. This command is similar to selecting Event Trigger Setup from the Trig menu and then selecting the desired Trigger Type.

Some trigger types are not available on some instruments.

Group Trigger

Syntax TRIGger:A:TYPe {EDGE|LOGIC|PULse|VIDeo|I2C|CAN|SPI|COMMunication|SERIAL|RS232}
TRIGger:A:TYPe?

Related Commands [TRIGger:{A|B}:EDGE?](#), [TRIGger:{A|B}:LOGic:CLAss](#), [TRIGger:{A|B}:PULse:CLAss](#)

Arguments EDGE is a normal trigger. A trigger event occurs when a signal passes through a specified voltage level in a specified direction and is controlled by the TRIGger:A:EDGE commands.

LOGIC specifies that a trigger occurs when specified conditions are met and is controlled by the TRIGger:A:LOGIC commands.

PULse specifies that a trigger occurs when a specified pulse is found and is controlled by the TRIGger:A:PULse commands.

VIDeo specifies that the trigger occurs when a video signal is found. Requires an instrument with video hardware.

I2C specifies that a trigger occurs when an Inter-IC Control signal is found.

CAN specifies that a trigger occurs when a Controller Area Network frame signal is found.

SPI specifies that a trigger occurs when a Serial Peripheral Interface signal is found.

COMMunication (Option MTM) specifies that a trigger occurs when a communications signal is found. Supports AMI, HDB3, B3ZS, B6ZS, B8ZS, CMI, MLT3, Manchester, and NRZ encoded communications signals. COMMunication is available only if Option MTM is installed.

SERIAL specifies that a trigger occurs when NRZ-encoded data is found, providing a 32-bit serial word. This argument is available with instruments with Option PTM.

RS232 takes a signal on a data source and allows you to trigger on data within the RS232 bitstream. The data is only one byte wide.

Examples TRIGGER:A:TYPE EDGE sets the A trigger type to EDGE.
 TRIGGER:A:TYPE? might return :TRIGGER:A:TYPE PULSE indicating that the A trigger type is a pulse trigger.

TRIGger:A:VIDeo? (Query Only)

DPO7000 Series only: This query-only command returns the A trigger video parameters.

Group Trigger

Syntax TRIGger:A:VIDeo?

Examples TRIGGER:A:VIDEO? might return :TRIGGER:A:VIDEO:CUSTOM:FORMAT INTERLACED; SCAN RATE1; :TRIGGER:A:VIDEO:FIELD ALLFIELDS; HOLDOFF:FIELD 1.0000;TIME 20.0000E-3; :TRIGGER:A:VIDEO:LINE 1;SCAN RATE1; SOURCE CH1;STANDARD NTSC.

TRIGger:A:VIDeo:CUSTom? (Query Only)

DPO7000 Series only: This query-only command returns the A trigger custom video parameters.

Group Trigger

Syntax TRIGger:A:VIDeo:CUSTom?

Examples TRIGGER:A:VIDEO:CUSTOM? might return the parameters
:TRIGGER:A:VIDEO:CUSTOM:FORMAT INTERLACED; SCAN
RATE1.

TRIGger:A:VIDeo:CUSTom:FORMat

DPO7000 Series only: This command sets or queries the video trigger format. Use this command only when the video format is set to custom.

Group Trigger

Syntax TRIGger:A:VIDeo:CUSTom:FORMat {INTERLACed|PROGressive}
TRIGger:A:VIDeo:CUSTom:FORMat?

Arguments INTERLACed argument sets the format for interlaced video lines.
PROGressive argument sets the format for progressive video lines.

Examples TRIGGER:A:VIDEO:CUSTOM:FORMAT PROGRESSIVE sets the custom format for the A video trigger to progressive lines.

TRIGGER:A:VIDEO:CUSTOM:FORMAT? might return
:TRIGGER:A:VIDEO:CUSTOM:FORMAT INTERLACED, indicating that interlaced is selected as the custom format for the A video trigger.

TRIGger:A:VIDeo:CUSTom:LINEPeriod

DPO7000 Series only: This command sets or queries the period horizontal line scan. Use this command only when the video format is set to Bilevel or Trilevel. This is equivalent to selecting Video Setup from the Trig menu, setting Bilevel or Trilevel for Format, and setting the Line Period.

Group Trigger

Syntax TRIGger:A:VIDeo:CUSTom:LINEPeriod <NR3>
TRIGger:A:VIDeo:CUSTom:LINEPeriod?

Arguments <NR3> is the time for each horizontal scan line.

Examples TRIGGER:A:VIDEO:CUSTOM:LINEPERIOD 63.6E-6 sets the custom line period to 63.6 microseconds.

TRIGGER:A:VIDEO:CUSTOM:LINEPERIOD? might return TRIGGER:A:VIDEO:CUSTOM:LINEPERIOD 63.6000E-6 indicating the line period is set to 63 microseconds.

TRIGger:A:VIDeo:CUSTom:SYNCInterval

DPO7000 Series only: This command sets or queries the horizontal line scan rate of the A video trigger. Use this command only when the video format is set to Bilevel. This is equivalent to selecting Video Setup from the Trig menu, setting Bilevel for Format, and setting the sync interval.

Group Trigger

Syntax TRIGger:A:VIDeo:CUSTom:SYNCInterval <NR3>
TRIGger:A:VIDeo:CUSTom:SYNCInterval?

Arguments <NR3> is the sync interval for the Bilevel format.

Examples TRIGGER:A:VIDEO:CUSTOM:SYNCINTERVAL 4.7E-6 sets the sync interval to 4.7 microseconds.

TRIGGER:A:VIDEO:CUSTOM:SYNCINTERVAL? might return TRIGGER:A:VIDEO:CUSTOM:SYNCINTERVAL 4.7000E-6, indicating that the custom sync interval is set to 4.7 microseconds.

TRIGger:A:VIDeo:FIELD

DPO7000 Series only: This command sets or queries the video field or line that the trigger detects.

Group Trigger

Syntax TRIGger:A:VIDeo:FIELD
{ODD|EVEN|FIELD1|FIELD2|ALLFields|ALLLines|NUMERIC}
TRIGger:A:VIDeo:FIELD?

Arguments ODD argument sets the instrument to trigger on interlaced video odd fields.
EVEN argument sets the instrument to trigger on interlaced video even fields.

FIELD1 argument sets the instrument to trigger on interlaced video odd fields (same as ODD).

FIELD2 argument sets the instrument to trigger on interlaced video even fields (same as EVEN).

ALLFIELDs argument sets the instrument to trigger on all fields.

ALLLINEs argument sets the instrument to trigger on all video lines.

NUMERIC argument sets the instrument to trigger on the video signal line specified by the TRIGGER:A:VIDEO:LINE command.

Examples TRIGGER:A:VIDEO:FIELD EVEN sets the A video trigger so that it will trigger on even fields.

TRIGGER:A:VIDEO:FIELD? might return :TRIGGER:A:VIDEO:FIELD ALLFIELDS, indicating that the A video will trigger on all video fields.

TRIGGER:A:VIDEO:HOLDoff:FIELD

DPO7000 Series only: This command sets or queries the video trigger holdoff in terms of video fields.

Group Trigger

Syntax TRIGGER:A:VIDEO:HOLDoff:FIELD <NR3>
TRIGGER:A:VIDEO:HOLDoff:FIELD?

Arguments <NR3> argument is a real number from 0.0 to 8.5 in increments of 0.5. The argument sets the number of fields that the instrument waits before rearming the video trigger.

Examples TRIGGER:A:VIDEO:HOLDoff:FIELD 4.5 sets the instrument to wait 4.5 video fields before rearming the trigger.

TRIGGER:A:VIDEO:HOLDoff:FIELD? might return :TRIGGER:A:VIDEO:HOLDoff:FIELD 5, indicating that the instrument is set to wait 5 video fields before rearming the trigger.

TRIGGER:A:VIDEO:LINE

DPO7000 Series only: This command sets or queries the video line number on which the instrument triggers. This command is equivalent to selecting Video

Setup from the Trig menu, selecting Line # in the Trigger on box, and setting the line number. Use the [TRIGger:A:VIDeo:FIELD](#) command to actually trigger the instrument on the line that you specify with this command.

Group Trigger

Syntax TRIGger:A:VIDeo:LINE <NR1>
TRIGger:A:VIDeo:LINE?

Related Commands [TRIGger:A:VIDeo:FIELD](#)

Arguments <NR1> argument is an integer that sets the video line number on which the instrument triggers. The following table lists the valid choices, depending on the active video standard.

Table 2-20: Video Line Numbering Ranges

Video Standard	Line Number Range
CUSTOM	4–3000
NTSC	1–263 (odd) and 264–525 (even)
PAL	1–625
SECAM	1–625
HD480P60	1–520
HD720P60	1–750
HD1080150	1–1125
HD1080160	1–1125
HD1080P24	1–1125
HD1080P25	1–1125
HD1080SF24	1–1125

Examples TRIGGER:A:VIDEO:LINE 23 sets the instrument to trigger on the line 23.

TRIGGER:A:VIDEO:LINE? might return :TRIGGER:A:VIDEO:LINE 10, indicating that the instrument is set to trigger on line 10.

TRIGger:A:VIDeo:POLarity

DPO7000 Series only: This command sets or queries the polarity of the A video trigger.

Group Trigger

Syntax	TRIGger:A:VIDeo:POLarity {INVERTed NORMAl} TRIGger:A:VIDeo:POLarity?
Arguments	INVERTed argument sets the instrument to trigger on a positive video sync pulse. NORMAl argument sets the instrument to trigger on a negative video sync pulse.
Examples	TRIGGER:A:VIDEO:POLARITY NORMAL sets the instrument to trigger on a negative video pulse. TRIGGER:A:VIDEO:POLARITY? might return :TRIGGER:A:VIDEO:POLARITY INVERTED, indicating that the instrument is set to trigger on a positive video sync pulse.

TRIGger:A:VIDeo:SCAN

DPO7000 Series only: This command sets or queries the video trigger horizontal line scan rate. This command is for compatibility with earlier instruments. This command is the same as the command.

Group	Trigger
Syntax	TRIGger:A:VIDeo:SCAN {RATE1 RATE2 RATE3 RATE4 RATE5} TRIGger:A:VIDeo:SCAN?
Arguments	RATE1 argument sets the range of the video line scan rate to 15 kHz through 20 kHz. This is the standard broadcast rate. RATE2 argument sets the range of the video line scan rate to 20 kHz through 25 kHz. RATE3 argument sets the range of the video line scan rate to 25 kHz through 35 kHz. RATE4 argument sets the range of the video line scan rate to 35 kHz through 50 kHz. RATE5 argument sets the range of the video line scan rate to 50 kHz through 65 kHz.
Examples	TRIGGER:A:VIDEO:SCAN RATE1 sets the scan rate of the A video trigger to Rate 1, which is 15 kHz to 20 kHz (standard broadcast rate).

TRIGGER:A:VIDEO:SCAN? might return :TRIGGER:A:VIDEO:SCAN RATE2, indicating that the video line rate for the A trigger is set to Rate 2, which is 20 kHz to 23 kHz.

TRIGger:A:VIDeo:SOURce

DPO7000 Series only: This command sets or queries the source for the A video trigger. This command is equivalent to selecting Video Setup from the Trig menu and selecting a channel from the Source drop-down menu.

Group	Trigger
Syntax	TRIGger:A:VIDeo:SOURce CH<x> TRIGger:A:VIDeo:SOURce?
Arguments	CH<x> argument specifies one of the input channels of the instrument as the A video trigger. The value of x ranges from 1 through 4.
Examples	TRIGGER:A:VIDEO:SOURCE CH1 sets the source for A video trigger to Channel 1. TRIGGER:A:VIDEO:SOURCE? might return :TRIGGER:A:VIDEO:SOURCE CH2, indicating that the source for the A video trigger is set to Channel 2.

TRIGger:A:VIDeo:STANdard

DPO7000 Series only: This command sets or queries the video standard.

Group	Trigger
Syntax	TRIGger:A:VIDeo:STANdard {BILevelcustom TRILevelcustom NTSC PAL SECAM HD480P60 HD576P50 HD875I60 HD720P30 HD720P50 HD720P60 HD1080I50 HD1080I60 HD1080P24 HD1080P25 HD1080P30 HD1080P50 HD1080P60 HD1080SF24} TRIGger:A:VIDeo:STANdard?
Arguments	BILevelcustom argument sets the instrument to use custom video parameters that you set with the TRIGger:A:VIDeo:CUSTom:SYNCInterval command.

TRILevel**custom** argument sets the instrument to use custom video horizontal scan rate parameters that you set with the **TRIGger:A:VIDeo:CUSTom:LINEPeriod** command.

NTSc argument sets the instrument to trigger on video signals that meet the NTSC 525/60/2:1 standard (a line rate of 525 lines per frame and a field rate of 60 Hz).

PAL argument sets the instrument to trigger on video signals that meet the NTSC 625/50/2:1 standard (a line rate of 625 lines per frame and a field rate of 50 Hz).

SECAM argument sets the instrument to trigger on video signals that meet the SECAM standard.

HD480P60 argument sets the instrument to trigger on the HDTV 480/60 progressive format.

HD576P50 argument sets the instrument to trigger on the HDTV 576/50 progressive format.

HD875I60 argument sets the instrument to trigger on the HDTV 875/60 format.

HD720P30 argument sets the instrument to trigger on the HDTV 720/30 progressive format.

HD720P50 argument sets the instrument to trigger on the HDTV 720/50 progressive format.

HD720P60 argument sets the instrument to trigger on the HDTV 720/60 progressive format.

HD1080I50 argument sets the instrument to trigger on HDTV 1080/50 interlaced format.

HD1080I60 argument sets the instrument to trigger on HDTV 1080/60 interlaced format.

HD1080P24 argument sets the instrument to trigger on HDTV 1080/24 progressive format.

HD1080P25 argument sets the instrument to trigger on HDTV 1080/25 progressive format.

HD1080P30 argument sets the instrument to trigger on HDTV 1080/30 progressive format.

HD1080P50 argument sets the instrument to trigger on HDTV 1080/50 progressive format.

HD1080P60 argument sets the instrument to trigger on HDTV 1080/60 progressive format.

HD1080SF24 argument sets the instrument to trigger on HDTV 1080/24 segmented frame format.

- Examples** TRIGGER:A:VIDEO:STANDARD NTSC sets the instrument to trigger on NTSC-standard video signals.
- TRIGGER:A:VIDEO:STANDARD? might return :TRIGGER:A:VIDEO:STANDARD NTSC, indicating that the standard for the A video trigger is set to NTSC.

TRIGger:AUXLevel

This command sets or queries the auxiliary (Aux) level for the edge trigger. This command supersedes any other argument that sets the auxiliary trigger level.

- Group** Trigger
- Syntax** TRIGger:AUXLevel {<NR3>|ECL|TTL}
TRIGger:AUXLevel?
- Related Commands** [TRIGger:{A|B}:EDGE:SLOpe](#), [TRIGger:{A|B}:EDGE:SOUrce](#)
- Arguments** <NR3> is the auxiliary level in volts.
ECL specifies a preset ECL level.
TTL specifies a preset TTL level.
- Examples** TRIGger:AUXlevel TTL This command sets the auxiliary level for the edge trigger to TTL.
TRIGger:AUXlevel? might return :TRIGGER:AUXLEVEL TTL, indicating that the auxiliary level for the edge trigger is set to TTL.

TRIGger:B (No Query Form)

This command sets the B trigger level to 50% of minimum and maximum. The query form of this command returns the B trigger parameters. This command is similar to selecting B Event (Delayed) Trigger Setup from the Trig menu and then viewing the current setups.

- Group** Trigger
- Syntax** TRIGger:B SETLevel

Related Commands [TRIGger:A TRIGger:B:STATE](#)

Arguments SETLeve1 sets the B trigger level to 50% of MIN and MAX.

Examples TRIGGER:B SETLEVEL sets the B trigger level to 50% of MIN and MAX.

TRIGGER:B? might return the following B trigger parameters:
:TRIGGER:B:STATE 0;TYPE EDGE; LEVEL -220.0000E-3;BY
TIME;EDGE:SOURCE CH1;SLOPE RISE;COUPLING DC; :TRIGGER:B:TIME
16.0000E-9;EVENTS:COUNT 2.

TRIGger:B:BY

This command selects or returns whether the B trigger occurs after a specified number of events or a specified period of time after the A trigger. This is equivalent to selecting B Event (Delayed) Trigger Setup from the Trig menu, selecting the A →B Seq tab, and then choosing Trig After Time or Trig on nth event.

NOTE. *The traditional Runs After functionality is now served by the Horizontal Delay function. For details, see the [HORizontal\[:MAIn\]:DELay:MODE](#) and [HORizontal\[:MAIn\]:DELay:TIME](#) commands.*

Group Trigger

Syntax TRIGger:B:BY {EVENTS|TIME}
TRIGger:B:BY?

Related Commands [TRIGger:B:EVENTS:COUNT](#), [TRIGger:B:TIME](#), [HORizontal\[:MAIn\]:DELay:MODE](#), [HORizontal\[:MAIn\]:DELay:TIME](#) [TRIGger:B:STATE](#)

Arguments EVENTS sets the B trigger to take place following a set number of trigger events after the A trigger occurs. The number of events is specified by TRIGger:B:EVENTS:COUNT.

TIME sets the B trigger to occur a set time after the A trigger event. The time period is specified by TRIGger:B:TIME.

- Examples** TRIGGER:B:BY TIME sets the B trigger to occur at a set time after the A trigger event.
- TRIGGER:B:BY? might return :TRIGGER:B:BY EVENTS, indicating that the B trigger takes place following a set number of trigger events after the A trigger occurs.

TRIGger:B:EVENTS? (Query Only)

This query-only command returns the current B trigger events parameter. This command is equivalent to selecting B Event (Delayed) Trigger Setup from the Trig menu, selecting the A →B Seq tab, choosing Trig on nth event, and viewing the Trig Event setting.

Group Trigger

Syntax TRIGger:B:EVENTS?

Related Commands [TRIGger:B:EVENTS:COUNT](#), [TRIGger:B:STATE](#)

- Examples** TRIGGER:B:EVENTS? might return
- :TRIGGER:B:EVENTS:COUNT 2, indicating that the two events must occur before the B trigger occurs.

TRIGger:B:EVENTS:COUNT

This command sets or queries the number of events that must occur before the B trigger (when TRIG:DElay:BY is set to EVENTS). This command is equivalent to selecting B Event (Delayed) Trigger Setup from the Trig menu, selecting the A →B Seq tab, choosing Trig on nth event, and setting the desired Trig Event value.

Group Trigger

Syntax TRIGger:B:EVENTS:COUNT <NR1>
TRIGger:B:EVENTS:COUNT?

Related Commands [TRIGger:B:EVENTS?](#), [TRIGger:B:STATE](#)

- Arguments** <NR1> is the number of B trigger events, which can range from 1 to 10,000,000.

Examples TRIGGER:B:EVENTS:COUNT 4 sets the number of B trigger events to four.

TRIGGER:B:EVENTS:COUNT? might return :TRIGGER:B:EVENTS:COUNT 2, indicating that two events must occur after the A trigger before the B trigger can occur.

TRIGger:B:PULse:WINDow:POLarity

This command sets or queries the pulse trigger window polarity of the selected trigger Source. The instrument triggers when the signal exits the window. This command is available only when the Window Event is set to Inside > t and not available for the rest of the window events. The logic selection is available only when the polarity is set to Either.

Group Trigger

Syntax TRIGger:B:PULse:WINDow:POLarity {EITHer|NEGAtive|POSITIVe}
TRIGger:B:PULse:WINDow:POLarity?

Arguments EITHer specifies positive or negative polarity.
NEGAtive specifies a negative polarity.
POSITIVe specifies a positive polarity.

Examples TRIGGER:B:PULSE:WINDOW:POLARITY POSITIVE sets the window polarity to positive.

TRIGGER:B:PULSE:WINDOW:POLARITY? might return :TRIGGER:B:PULSE:WINDOW:POLARITY NEGATIVE, indicating that the window polarity is set to negative.

TRIGger:B:PULse:WINDow:POLarity:CH<x>

This command sets or queries the pulse trigger window polarity of the specified channel. The oscilloscope triggers only when the signal exits the window. This command is available only when the Window Event is set to Inside > t and not available for the rest of the window events. The logic selection is available only when the polarity is set to Either. <x> is the search number or channel number.

Group Trigger

Syntax TRIGger:B:PULse:WINDow:POLARity:CH<x>
 {EITHer|NEGAtive|POSITIVe}
 TRIGger:B:PULse:WINDow:POLARity:CH<x>?

Arguments EITHer specifies positive or negative polarity.
 NEGAtive specifies a negative polarity.
 POSITIVe specifies a positive polarity.

Examples TRIGGER:B:PULSE:WINDOW:POLARITY:CH<x> POSITIVE sets the window polarity to positive.
 TRIGGER:B:PULSE:WINDOW:POLARITY:CH<x>? might return :TRIGGER:B:PULSE:WINDOW:POLARITY:CH<x> NEGATIVE, indicating that the window polarity is set to negative.

TRIGger:B:RESET:SOURce

This command sets or queries the trigger source for the A→B sequential trigger reset feature, except for the Timeout trigger type.

Group Trigger

Syntax TRIGger:B:RESET:SOURce {CH<x>|AUXiliary}
 TRIGger:B:RESET:SOURce?

Related Commands [TRIGger:B:RESET:TYPE](#), [TRIGger:B:RESET:THReshold](#)

Arguments CH<x> specifies one of the input channels as the reset source. Input channels are specified by x.
 AUXiliary specifies an external trigger (using the Auxiliary Trigger Input connector) as the reset source.

Examples TRIGGER:B:RESET:SOURCE CH4 sets Channel 4 as the input source for the trigger reset.
 TRIGGER:B:RESET:SOURCE? might return :TRIGGER:B:RESET:SOURCE CH1, indicating that the current input source for the trigger reset is Channel 1.

TRIGger:B:RESET:STATE

This command sets or queries the trigger reset state for the A→B sequential State trigger reset feature.

Group Trigger

Syntax TRIGger:B:RESET:STATE {HIGH|LOW}
TRIGger:B:RESET:STATE?

Related Commands [TRIGger:B:RESET:TYPE](#), [TRIGger:B:RESET:SOURce](#), [TRIGger:B:RESET:THReshold](#)

Arguments HIGH sets the condition for the state sequential trigger reset to high.
LOW sets the condition for the state sequential trigger reset to low.

Examples TRIGGER:B:RESET:STATE LOW sets the condition for the state sequential trigger reset to Low.
TRIGGER:B:RESET:STATE? might return :TRIGGER:B:RESET:STATE HIGH, indicating that High is the condition for the state sequential trigger reset.

TRIGger:B:RESET:THReshold

This command sets or queries the trigger threshold for the A→B sequential trigger reset, except for the Timeout reset type.

Group Trigger

Syntax TRIGger:B:RESET:THReshold {ECL|TTL|<NR3>}
TRIGger:B:RESET:THReshold?

Related Commands [TRIGger:B:RESET:STATE](#)

Arguments ECL sets the reset threshold to ECL voltage levels.
TTL sets the reset threshold to TTL voltage levels.
<NR3> sets the reset threshold in volts.

Examples TRIGGER:B:RESET:THRESHOLD TTL sets the trigger reset threshold level to TTL.

TRIGGER:B:RESET:THRESHOLD? might return :TRIGGER:B:RESET:THRESHOLD TTL, indicating that the trigger reset threshold level is set to TTL.

TRIGger:B:RESET:TIMEOut

This command sets or queries the reset timer for a sequential timeout trigger reset. For example, if the timeout is set to 1 s, this additional reset time begins following an A trigger event and runs sequentially with any B Trigger Delay. If a B trigger event is not found before it expires, the instrument begins looking for a new A event trigger sequence.

Group Trigger

Syntax TRIGger:B:RESET:TIMEOut <NR3>
TRIGger:B:RESET:TIMEOut?

Related Commands [TRIGger:B:RESET:TYPe](#)

Arguments <NR3> specifies the reset time.

Examples TRIGGER:B:RESET:TIMEOUT 1.0E-6 sets the trigger reset timeout to 1 s.

TRIGGER:B:RESET:TIMEOUT? might return :TRIGGER:B:RESET:TIMEOUT 2.0000E-09, indicating that the trigger reset timeout is 2 ns.

TRIGger:B:RESET:TRANSition

This command sets or queries the type of threshold required for a Transition trigger reset.

Group Trigger

Syntax TRIGger:B:RESET:TRANSition {RISe|FALL}
TRIGger:B:RESET:TRANSition?

Related Commands	TRIGger:B:RESET:SOUrce, TRIGger:B:RESET:THREshold, TRIGger:B:RESET:TYPE
Arguments	RISe indicates that a reset occurs when the trigger rises above the threshold level. FALL indicates that a reset occurs when the trigger falls below the threshold level.
Examples	TRIGGER:B:RESET:TRANSITION RISE allows the reset to occur if the trigger rises above the threshold level. TRIGGER:B:RESET:TRANSITION? might return :TRIGGER:B:RESET:TRANSITION FALL, indicating that the reset will occur if the trigger falls below the threshold level.

TRIGger:B:RESET:TYPE

This command sets or queries the type of A→B sequential trigger reset. If the B trigger reset is active, the reset criteria are part of the B triggering sequence. If the reset conditions defined by the reset type are not met, the instrument must start over searching for a new occurrence of the A event.

You must identify a trigger Source and Threshold for each reset type, except for the Timeout trigger type.

NOTE. *If a reset condition occurs, the reset criteria itself is reset and must start over.*

Group	Trigger
Syntax	TRIGger:B:RESET:TYPE {NONE TIMEOut STATE TRANSition} TRIGger:B:RESET:TYPE?
Arguments	NONE defeats the trigger reset feature. TIMEOut initiates a reset if the timeout conditions specified by TRIGger:B:RESET:TIMEOut are met. STATE initiates a reset if the state conditions specified by TRIGger: B:RESET:SOUrce, TRIGger:B:RESET:STATE, and TRIGger:B:RESET:THREshold are met. TRANSition initiates a reset if the transition conditions specified by TRIGger:B:RESET:SOUrce, TRIGger:B:RESET:TRANSition, and TRIGger:B:RESET:THREshold are met.

Examples TRIGGER:B:RESET:TYPE NONE deactivates the sequential trigger reset.
TRIGGER:B:RESET:TYPE? This query might return :TRIGGER:B:RESET:TYPE TIMEOUT, indicating that the sequential trigger reset is active following a timeout.

TRIGger:B:STATE

This command sets or queries the state of B trigger activity. If the B trigger state is on, the B trigger is part of the triggering sequence. If the B trigger state is off, then only the A trigger causes the trigger event.

Group Trigger

Syntax TRIGger:B:STATE {ON|OFF|<NR1>}
TRIGger:B:STATE?

Related Commands [TRIGger:A:MODE](#)

Arguments ON indicates that the B trigger is active and causes trigger events in conjunction with the A trigger.

OFF indicates that only the A trigger causes trigger events.

<NR1>

A 0 turns off the B trigger; any other value activates the B trigger.

Examples TRIGGER:B:STATE ON sets the B trigger to active, making it capable of causing trigger events.

TRIGGER:B:STATE? might return :TRIGGER:B:STATE 0, indicating that the B trigger is inactive and that only the A trigger causes trigger events.

TRIGger:B:TIME

This command sets or queries B trigger delay time. The B Trigger time applies only if TRIGger:B:BY is set to TIME. This command is equivalent to selecting B Event (Delayed) Trigger Setup from the Trig menu, choosing the A@B Seq tab, and setting Trig Delay.

Group Trigger

Syntax TRIGger:B:TIME <NR3>
TRIGger:B:TIME?

Related Commands [TRIGger:B:BY](#), [TRIGger:B:EVENTS:COUNT](#) [TRIGger:B:STATE](#)

Arguments <NR3> is the B trigger delay time in seconds.

Examples TRIGGER:B:TIME 4E-6 sets the B trigger delay time to 4 μ s.
TRIGGER:B:TIME? might return :TRIGGER:B:TIME 16.0000E-9, indicating that the B trigger time is set to 16 ns.

TRIGger:B:TYPe

This command sets or queries the type of B trigger. This command is equivalent to selecting B Event (Delayed) Trigger Setup from the Trig menu and choosing Edge.

Group Trigger

Syntax TRIGger:B:TYPe {EDGE|PULse|LOGIC}
TRIGger:B:TYPe?

Related Commands [TRIGger:A:TYPe](#) [TRIGger:B:STATE](#)

Arguments EDGE sets the B trigger type to edge.
PULse specifies that a trigger occurs when a specified pulse is found and is controlled by the TRIGger:B:PULse commands.
LOGIC specifies that a trigger occurs when specified conditions are met and is controlled by the TRIGger:B:LOGIC commands.

Examples TRIGGER:B:TYPe EDGE sets the B trigger type to edge.
TRIGGER:B:TYPe? might return :TRIGGER:B:TYPe EDGE, indicating that the B trigger type is set to EDGE.

TRIGger:ENHanced

This command sets or queries the state of trigger position enhancement. When on, the instrument improves the trigger positioning to more closely match the acquired data. This is equivalent to selecting Enhanced Triggering from the Trigger Mode menu.

Group Trigger

Syntax TRIGger:ENHanced {<NR1>|OFF|ON}
TRIGger:ENHanced?

Arguments <NR1> = 0 disables trigger position enhancement, any other value enables trigger position enhancement.
OFF disables trigger position enhancement.
ON enables trigger position enhancement.

Examples TRIGGER:ENHANCED ON enables trigger position enhancement.
TRIGGER:ENHANCED? might return :TRIGGER:ENHANCED 0, indicating that trigger position enhancement is disabled.

TRIGger:LVLSrcpreference

This command sets or queries the dependent source/level trigger feature. SRCIndependent is the default value.

Group Trigger

Syntax TRIGger:LVLSrcpreference {SRCDependent|SRCIndependent}
TRIGger:LVLSrcpreference?

Related Commands TRIGger:{A|B}:LEVel:CH<x>,

Arguments SRCDependent sets the level of all trigger sources to the value you currently select, regardless of the last value selected.
SRCIndependent sets each trigger source to the level you are currently selecting.

- Examples** TRIGGER:LVL SRC PREFERENCE SRC INDEPENDENT allows you to set the level of each source to the value you are currently selecting.
- TRIGGER:LVL SRC PREFERENCE? might return :TRIGGER:LVL SRC PREFERENCE SRC DEPENDENT, indicating that the level of all sources changes to the value you currently select.

TRIGGER:SENSITIVITY

This command set or queries the state of trigger sensitivity. When on, the instrument calculates a rolling average for trigger position enhancement to suppress trigger jitter in noisy signals. This is equivalent to selecting Higher Sensitivity for Noisy Signals from the Trigger Mode menu. This is available only when TRIGGER:ENHANCED or the equivalent check box control is also on.

Group Trigger

Syntax TRIGGER:SENSITIVITY {<NR1>|OFF|ON}
TRIGGER:SENSITIVITY?

Related Commands [TRIGGER:ENHANCED](#)

Arguments <NR1> = 0 disables rolling averaging, any other value enables rolling averaging for trigger position enhancement.

OFF disables rolling averaging for trigger position enhancement.

ON enables rolling averaging for trigger position enhancement.

Examples TRIGGER:SENSITIVITY ON enables the trigger sensitivity feature when [TRIGGER:ENHANCED](#) is enabled.

TRIGGER:SENSITIVITY? might return :TRIGGER:SENSITIVITY 1, indicating the TRIGGER:SENSITIVITY feature is enabled.

TRIGGER:STATE? (Query Only)

This query-only command returns the current state of the triggering system. This command is equivalent to viewing the trigger status LEDs on the instrument front panel.

Group Trigger

Syntax TRIGger:STATE?

Related Commands [TRIGger:A:MODE](#)

Returns ARMED indicates that the instrument is acquiring pretrigger information.

AUTO indicates that the instrument is in the automatic mode and acquires data even in the absence of a trigger.

DPO indicates that the instrument is in DPO mode.

PARTIAL indicates that the A trigger has occurred and the instrument is waiting for the B trigger to occur.

READY indicates that all pretrigger information has been acquired and that the instrument is ready to accept a trigger.

SAVE indicates that the instrument is in save mode and is not acquiring data.

TRIGGER indicates that the instrument triggered and is acquiring the post trigger information.

Examples TRIGGER:STATE? might return :TRIGGER:STATE ARMED, indicating that the pretrigger data is being acquired.

*TST? (Query Only)

This query-only command tests (self-test) the GPIB interface and returns a 0.

Group Miscellaneous

Syntax *TST?

Examples *TST? always returns 0.

UNLock (No Query Form)

This command (no query form) unlocks the front panel. The command is equivalent to LOCK NONE.

NOTE. *If the instrument is in the Remote With Lockout State (RWLS), the UNLock command has no effect. For more information, see the ANSI-IEEE Std 488.1-1987 Standard Digital Interface for Programmable Instrumentation, section 2.8.3 on RL State Descriptions.*

Group	Miscellaneous
Syntax	UNLock ALL
Related Commands	LOCK
Arguments	ALL specifies that all front-panel buttons and knobs are unlocked.
Examples	UNLOCK ALL unlocks all front-panel buttons and knobs.

VERBose

This command sets or queries the Verbose state that controls the length of keywords on query responses. Keywords can be both headers and arguments.

NOTE. *This command does not affect IEEE Std 488.2-1987 Common Commands (those starting with an asterisk). However, this command does make a corresponding change in the Response Header Enable State of the opposite interface (physical or virtual GPIB interface). Refer to Introduction for more information.*

Group	Miscellaneous
Syntax	VERBose {OFF ON <NR1>}
Related Commands	HEADer , *LRN? , SET?
Arguments	<p>ON sets the Verbose state to true, which returns full-length keywords for applicable setting queries.</p> <p>OFF sets the Verbose state to false, which returns minimum-length keywords for applicable setting queries.</p> <p><NR1></p>

A 0 returns minimum-length keywords for applicable setting queries; any other value returns full-length keywords.

Examples VERBOSE ON sets the Verbose state to true and return the full length keyword for the applicable setting queries.

VERBOSE? might return :VERBOSE OFF, indicating that the Verbose state is set to false and return the minimum-length keywords for the applicable setting queries.

*WAI (No Query Form)

The *WAI (Wait) command (no query form) prevents the instrument from executing further commands or queries until all pending commands that generate an OPC message are complete. This command allows you to synchronize the operation of the instrument with your application program. For more information, refer to Synchronization Methods.

Group Status and Error

Syntax *WAI

Related Commands [BUSY?](#), [*OPC](#)

Examples *WAI prevents the instrument from executing any further commands or queries until all pending commands that generate an OPC message are complete.

WAVFrm? (Query Only)

This query-only command returns WFMOutpre? and CURVe? data for the waveform as specified by the DATA:SOURce command. This command is equivalent to sending both WFMOutpre? and CURVe?, with the additional provision that the response to WAVFrm? is guaranteed to provide a synchronized preamble and curve.

Group Waveform Transfer

Syntax WAVFrm?

Related Commands [CURVe](#), [DATA:SOURce](#), [WFMOutpre?](#)

Examples WAVFRM? might return the waveform data as: :WFMOUTPRE:BIT_NR
 8;BN_FMT RI;BYT_NR 1; BYT_OR MSB;ENCDG ASC;NR_PT
 500;PT_FMT Y; PT_ORDER LINEAR;PT_OFF 0;XINCR
 400.0000E-12; XZERO 0.0000;XUNIT "s";YMULT 4.0000E-3; YOFF
 0.0000;YZERO 0.0000;YUNIT "V"; WFID "Ch1,DC coupling,
 100.0mV/div, 200.0ns/div, 5000 points,Samp1 mode";
 :CURVE51,50,51,48,51,48,50,49,51,49,51,48,51,48,51,49,
 50,49,50,48,49,49,52,49,49,50,50,48,50,49,49,
 49,49,49,50,47,49,47,50,48,49,48,50,48,49,47,
 49,48,51,48,49,47,50,48,50,47,51,47,49,48,48,
 48,50,46,50,46,48,45,48,47,49,47,49,48,49,48,
 49,45,49,47,48,46,48,48,49,45,49,45,47,46,46,
 46,49,47,48,46,48,46,48,47,47,46,47,47,48,46,
 48,45,48,46,47,46,47,47,46,45,46,45,47,47,47,
 46,46,44,47,45,45,45,46,43,46,45,46,44,46,45,
 48,45,45,44,46,45,46,45,45,45,45,43,45,44,46,
 44,47,44,44,44,45,43,44,44,45,44,46,43,46,43,
 45,44,45,44,45,41,44,43,45,42,44,43,44,43,44,
 42,43,42,44,41,44,41,44,42,43,42,43,42,45,42,
 43,41,42,41,43,42,44,42,43,42,43,40,42,40,42,
 40,42,41,43,41,42,41,42,39,41,41,42,42,43,41,
 42,39,41,39,41,40,41,40,41,39,41,38,41,39,41,
 38,42,39,41,37,40,38,40,38,39,38,39,38,41,39,
 39,38,40,37,38,37,38,38,39,38,40,36,39,37,39,
 37,39,37,39,36,40,38,38,35,38,36,38,37,39,37,
 38,37,38,37,37,36,38,35,38,36,37,36,38,36,38,
 35,39,34,36,36,36,35,38,35,36,34,37,34,37,35,
 37,36,37,35,37,35,36,34,36,33,36,35,36,34,36,
 33,34,33,34,34,34,34,36,33,36,34,36,33,34,33,
 34,32,34,32,34,33,33,31,33,32,34,32,33,32,32,
 31,33,31,31,32,33,31,32,31,32,30,32,30,32,31,
 31,30,31,30,31,29,31,29,32,31,31,30,30,29,30,
 29,30,30,31,29,30,28,30,29,31,28,30,28,30,29,
 29,27,29,28,29,27,30,27,30,26,28,28,29,27,28,
 27,28,27,28,28,28,27,28,27,28,26,28,26,28,26,
 26,25,27,25,28,27,28,26,25,25,26,25,25,25,25,
 25,26,25,27,25,25,24,25,25,26,24,26,24,24,23,
 25,24,24,22,25,23,24,23,24,22,24,22,23,22,25,
 24,24,21,23,22,22,21,24,22,22,22,22,21,22,20,23,21,21,20.

WAVFRMStream? (Query Only)

This query only command returns WFMOUTPRE? and CURVESTREAM? data for the waveforms specified by the DATASOURCE command. This command is similar to sending both WFMOUTPRE? and CURVESTREAM?, with the additional provision that

each CURVESTREAM response to WAVFRMS? has a WFMOUTPRE response prepended to it. This helps guarantee a continuous synchronized preamble and curve.

Group	Waveform Transfer
Syntax	WAVFRMStream?
Returns	WFMOUTPRE? and CURVESTREAM? query responses.
Examples	<p>Single data source (1 channel, record length 1000). WAVFRMSTREAM? might return</p> <pre>:WFMOUTPRE <WFMOUTPRE branch query>;:CURVE #41000<binary data>;<newline> :WFMOUTPRE <WFMOUTPRE branch query>;:CURVE #41000<binary data>;<newline> . . .</pre> <p>Multiple data source (record length 1000). WAVFRMSTREAM? might return (wf<x> denotes one of each waveform source specified by :DATA:SOURCE WF1,WF2,WF3)</p> <pre>:WFMOUTPRE <WF1 WFMOUTPRE branch query>;:CURVE #41000<binary data>;<newline> :WFMOUTPRE <WF2 WFMOUTPRE branch query>;:CURVE #41000<binary data>;<newline> :WFMOUTPRE <WF3 WFMOUTPRE branch query>;:CURVE #41000<binary data>;<newline> :WFMOUTPRE <WF1 WFMOUTPRE branch query>;:CURVE #41000<binary data>;<newline> :WFMOUTPRE <WF2 WFMOUTPRE branch query>;:CURVE #41000<binary data>;<newline> :WFMOUTPRE <WF3 WFMOUTPRE branch query>;:CURVE #41000<binary data>;<newline> . . .</pre>

WFMInpre? (Query Only)

This query-only command returns the waveform formatting specification to be applied to the next incoming CURVe command data.

Group	Waveform Transfer
Syntax	WFMInpre?
Related Commands	WFMOutpre?
Examples	WFMINPRE? might return the waveform formatting as :WFMINPRE:BIT_NR 8;BN_FMTRI;BYT_NR 1; BYT_OR MSB;ENCDG BIN;NR_PT 500;PT_FMT Y; PT_OFF 0;XINCR 2.0000E-6;XZERO 1.7536E-6; XUNIT "s";YMULT 1.0000E-3;YOFF 0.0000; YZERO 0.0000;YUNIT "V".

WFMInpre:BIT_Nr

This command sets or returns the number of bits per binary waveform point for the waveform, as specified by the [DATA:DESTination](#) command. This specification is meaningful only when [WFMInpre:ENCdg](#) is set to BIN.

Group	Waveform Transfer
Syntax	WFMInpre:BIT_Nr <NR1> WFMInpre:BIT_Nr?
Related Commands	DATA:DESTination , WFMInpre:ENCdg , WFMInpre:BYT_Nr , WFMOutpre:BIT_Nr
Arguments	<NR1> number of bits per data point can be 8, 16 (RI, RP) or 32 (FP).
Examples	WFMINPRE:BIT_NR 16 sets the number of bits per waveform point to 16, for incoming RI and RP binary format data. WFMINPRE:BIT_NR ? might return :WFMINPRE:BIT_NR 8, indicating that incoming RI or RP binary format data uses 8 bits per waveform point.

WFMInpre:BN_Fmt

This command sets or queries the format of binary data for incoming waveforms.

Group	Waveform Transfer
--------------	-------------------

Syntax WFMInpre:BN_Fmt {RI|RP|FP}
WFMInpre:BN_Fmt?

Related Commands [WFMOutpre:BN_Fmt](#)

Arguments RI specifies signed integer data point representation.
RP specifies positive integer data point representation.
FP specifies single-precision binary floating point representation.

Examples WFMINPRE:BN_FMT FP specifies that incoming data will be interpreted as single-precision binary floating point numbers.
WFMINPRE:BN_FMT? might return :WFMINPRE:BN_FMT RI, indicating that the incoming data is currently interpreted as signed integers.

WFMInpre:BYT_Nr

This command sets or returns the binary field data width for the first ordered waveform, as specified by the [DATA:DESTination](#) command. This specification is only meaningful when [WFMInpre:ENCdg](#) is set to BIN and [WFMInpre:BN_Fmt](#) is set to either RI or RP.

Group Waveform Transfer

Syntax WFMInpre:BYT_Nr <NR1>
WFMInpre:BYT_Nr?

Related Commands [DATA:DESTination](#), [WFMInpre:BN_Fmt](#), [WFMInpre:ENCdg](#),
[WFMInpre:BIT_Nr](#), [WFMOutpre:BYT_Nr](#)

Arguments <NR1> is the number of bytes per data point and can be 1, 2 (RI, RP) or 4 (FP).

Examples WFMINPRE:BYT_NR 1 sets the number of bytes per incoming waveform data point to 1, which is the default setting.
WFMINPRE:BYT_NR? might return :WFMINPRE:BYT_NR 2 indicating that there are 2 bytes per incoming waveform data point.

WFMinpre:BYT_Or

This command sets or queries which byte of binary waveform data is transmitted first for incoming waveform data when data points require more than one byte. This specification only has meaning when [WFMinpre:ENCdg](#) is set to BIN and [WFMinpre:BYT_Nr](#) is greater than 1.

Group Waveform Transfer

Syntax WFMinpre:BYT_Or {LSB|MSB}
WFMinpre:BYT_Or?

Related Commands [WFMinpre:ENCdg](#), [WFMinpre:BYT_Nr](#), [WFMinpre:BYT_Or](#)

Arguments LSB specifies that the least significant byte will be transmitted first.
MSB specifies that the most significant byte will be transmitted first.

Examples WFMINPRE:BYT_OR MSB sets the most significant incoming byte of incoming waveform data to be transmitted first.
WFMINPRE:BYT_OR? might return :WFMINPRE:BYT_OR LSB, indicating that the least significant incoming CURVe data byte will be transmitted first.

WFMinpre:ENCdg

This command sets or queries the type of encoding for incoming waveform data.

Group Waveform Transfer

Syntax WFMinpre:ENCdg {ASCII|BINARY}
WFMinpre:ENCdg?

Related Commands [WFMinpre:ENCdg](#)

Arguments ASCII specifies that the incoming data is in ASCII format.
BINARY specifies that the incoming data is in a binary format whose further interpretation requires knowledge of BYT_NR, BIT_NR, BN_FMT, and BYT_OR.

Examples `WFMINPRE:ENCDG ASCi i` sets the format of incoming waveform data to ASCII format.

`WFMINPRE:ENCDG?` might return `:WFMINPRE:ENCDG BINary`, indicating that the incoming waveform data is in binary format.

WFMinpre:NR_FR

This command sets or returns one frame, indicating the number of frames in the transmitted waveform record.

Group Waveform Transfer

Syntax `WFMinpre:NR_FR`
`WFMinpre:NR_FR?`

Related Commands [CURVe](#), [DATAa](#), [DATAa:START](#), [DATAa:STOP](#), [SAVe:WAVEform](#), [SAVe:WAVEform:FILEFormat](#), [WFMinpre:NR_Pt](#), [WFMOutpre:NR_FR?](#), [WFMOutpre:NR_Pt?](#)

Examples `WFMINPRE:NR_FR 4` specifying to send 4 data frames in the transmitted waveform record.

`WFMINPRE:NR_FR?` might return `:WFMINPRE:NR_FR 1`, indicating that there is 1 data frame in the transmitted waveform record.

WFMinpre:NR_Pt

This command sets or returns the number of data points that are in the transmitted waveform record.

Group Waveform Transfer

Syntax `WFMinpre:NR_Pt <NR1>`
`WFMinpre:NR_Pt?`

Related Commands [CURVe](#), [DATAa](#), [DATAa:START](#), [DATAa:STOP](#), [SAVe:WAVEform](#), [SAVe:WAVEform:FILEFormat](#), [WFMinpre:NR_FR](#), [WFMOutpre:NR_FR?](#), [WFMOutpre:NR_Pt?](#)

Arguments <NR1> is the number of data points if WFMInpre:PT_Fmt is set to Y. It is the number of min-max pairs if WFMInpre:PT_Fmt is set to ENV.

Examples WFMINPRE:NR_PT 5000 specifies that 5000 data points will be transmitted.
 WFMINPRE:NR_PT? might return :WFMINPRE:NR_PT 8000, indicating that there are 8000 data points in the transmitted waveform record.

WFMInpre:PT_Fmt

This command sets or queries the point format of the incoming waveform data. Regardless of the argument used, the scale, offset, and so on are interpreted similarly. When ENV is used, waveform data is interpreted over the min-max pair; when Y is used, it is interpreted over a single point.

Group Waveform Transfer

Syntax WFMInpre:PT_Fmt {ENV|Y}
 WFMInpre:PT_Fmt?

Related Commands [WFMOutpre:PT_Fmt?](#)

Arguments ENV specifies that the waveform is transmitted in envelope mode as maximum and minimum point pairs. Only Y values are explicitly transmitted. Absolute coordinates are given by:

$$X_n = XZERO + XINcr (N-PT_Off)$$

$$Y_{nmax} = YZERO + YMULT (ynmax - YOFf)$$

$$Y_{nmin} = YZERO + YMULT (ynmin - YOFf)$$

Y specifies a normal waveform where one ASCII or binary data point is transmitted for each point in the waveform record. Only Y values are explicitly transmitted. Absolute coordinates are given by:

$$X_n = XZERO + XINcr (N-PT_Off)$$

$$Y_n = YZERO + YMULT (Yn - YOFf)$$

Examples WFMINPRE:PT_FMT ENV sets the incoming waveform data point format to enveloped.

WFMINPRE:PT_FMT? might return :WFMINPRE:PT_FMT ENV, indicating that the waveform is transmitted as maximum and minimum point pairs.

WFMinpre:PT_Off

This command specifies or returns the trigger point within the waveform record for the reference waveform specified by the [DATA:DESTination](#) command.

Group Waveform Transfer

Syntax WFMinpre:PT_Off <NR1>
WFMinpre:PT_Off?

Related Commands [DATA:DESTination](#), [DATA:START](#), [WFMinpre:PT_Off?](#)

Arguments <NR1> is -(record length -1) to record length and is the position of the data point immediately following the actual trigger. <NR1> is expressed relative to [DATA:START](#).

Examples WFMinPRE:PT_OFF 1 specifies that the trigger point is the same as the Data:Start point.

WFMinPRE:PT_OFF? might return :WFMinPRE:PT_OFF 0, indicating that the incoming waveform trigger point is the first point in the waveform record.

WFMinpre:WFId (No Query Form)

This command (no query form) accepts but ignores the argument. This command is provided only to allow a waveform extracted from the instrument to be easily imported.

Group Waveform Transfer

Syntax WFMinpre:WFId <QString>

Related Commands [DATA:DESTination](#), [WFMinpre:BN_Fmt](#), [WFMinpre:ENCdg](#), [WFMinpre:WFId?](#)

Arguments <QString> must be a valid IEEE-488.2 string (but the contents are ignored).

Examples WFMinPRE:WFID "CH1, DC COUPLING, 2.000V/DIV, 400.0NS/DIV, 500 POINTS, SAMPLE MODE" is a syntactically correct command.

WFMinpre:XINcr

This command sets or queries the horizontal interval between incoming waveform points in units specified by WFMinpre:XUNit.

Group Waveform Transfer

Syntax WFMinpre:XINcr <NR3>
WFMinpre:XINcr?

Related Commands [WFMinpre:XUNit](#), [WFMinpre:XINcr?](#)

Arguments <NR3> is the horizontal interval representation.

Examples WFMINPRE:XINCR 3E-3 sets the interval between Incoming waveform points to 3 ms.

WFMINPRE:XINCR? might return :WFMINPRE:XINCR 1.0000E-3, indicating that if WFMinpre:XUNit is set to "s", there is a 1 ms interval between incoming waveform points.

WFMinpre:XUNit

This command sets or returns the horizontal units of the incoming waveform.

Group Waveform Transfer

Syntax WFMinpre:XUNit <QString>
WFMinpre:XUNit?

Related Commands [WFMinpre:XUNit?](#)

Arguments <QString> contains a maximum of three alpha characters that represent the horizontal unit of measure for the incoming waveform.

Examples WFMINPRE:XUNIT "HZ" specifies that the horizontal units for the incoming waveform are hertz.

WFMINPRE:XUNIT? might return :WFMINPRE:XUNIT "s", indicating that the horizontal units for the incoming waveform are seconds.

WFMinpre:XZEro

This command sets or queries the sub-sample time between the trigger sample (designated by PT_OFF) and the occurrence of the actual trigger on the incoming waveform. This value is used to compute TTOFF for the incoming waveform, and is expressed in terms of [WFMinpre:XUNit](#).

Group Waveform Transfer

Syntax WFMinpre:XZEro <NR3>
WFMinpre:XZEro?

Related Commands [WFMinpre:PT_Off](#), [WFMinpre:XINcr](#), [WFMinpre:XUNit](#), [WFMinpre:XZEro?](#)

Arguments <NR3> argument is a floating point value that ranges from –WFMinpre:XINcr to 0.

Examples WFMinPRE:XZERO 5.7E-6 specifies that the trigger actually occurred 5.7 μs before the sample designated by [WFMinpre:PT_Off](#).

WFMinPRE:XZERO? might return :WFMinPRE:XZEro 7.5000E-6, indicating that the trigger occurs 7.5 μs before the sample designated by [WFMinpre:PT_Off](#).

WFMinpre:YMUIt

This command sets or queries the vertical scale factor (in units/digitizing level) for the reference waveform, specified by [DATA:DESTination](#), upon a [CURVe](#) command.

Group Waveform Transfer

Syntax WFMinpre:YMUIt <NR3>
WFMinpre:YMUIt?

Related Commands [DATA:DESTination](#), [WFMinpre:BYT_Nr](#), [WFMinpre:YUNit](#)

Arguments <NR3> is the vertical scale factor per digitizing level of the incoming waveform points.

Examples `WFMINPRE:YMULT 20E-3` specifies that (if `WFMINpre:YUNit` is “V” and `WFMINpre:BYT_Nr` is 1), the vertical scale is 20 mV/digitizing level (500 mV/div).

`WFMINPRE:YMULT?` might return `:WFMINPRE:YMULT 40.0000E-3`, indicating that the vertical scale is 40 mV/digitizing level (1V/div).

WFMINpre:YOFF

This command sets or queries the vertical position of the incoming waveform in digitizing levels. Variations in this number are analogous to changing the vertical position of the waveform. For those formats in which [WFMINpre:BYT_Nr](#) is important (all non-floating point formats), this command must take the location of the binary point implied by `BYT_NR` into consideration.

Group Waveform Transfer

Syntax `WFMINpre:YOFF <NR3>`
`WFMINpre:YOFF?`

Related Commands [WFMINpre:BYT_Nr](#), [WFMINpre:YMULT](#), [WFMOutpre:YOFF?](#)

Arguments `<NR3>` is the vertical offset in digitizing levels.

Examples `WFMINPRE:YOFF 50` specifies that the zero reference point for the incoming waveform is 50 digitizing levels (2 divisions) above the center of the data range.

`WFMINPRE:YOFF?` might return `:WFMINPRE:YOFF 25`, indicating the vertical position of the incoming waveform in digitizing levels.

WFMINpre:YUNit

This command sets or queries the vertical units of the incoming waveform.

Group Waveform Transfer

Syntax `WFMINpre:YUNit <QString>`
`WFMINpre:YUNit?`

Related Commands [WFMOutpre:YUNit?](#)

Arguments <QString> contains a maximum of three alpha characters that represent the vertical unit of measure for the incoming waveform.

Examples WFMINPRE:YUNIT "PA" specifies that the vertical units for the incoming waveform are Pascal.

WFMINPRE:YUNIT? might return :WFMINPRE:YUNIT "s", indicating the vertical units for the incoming waveform are seconds.

WFMInpre:YZero

This command sets or queries the offset of the incoming waveform in units specified by WFMInpre:YUNit. Variations in this number are analogous to changing the vertical offset of the waveform.

Group Waveform Transfer

Syntax WFMInpre:YZero <NR3>
WFMInpre:YZero?

Related Commands [WFMInpre:YUNit](#), [WFMOutpre:YZero?](#)

Arguments <NR3> is the offset in YUNits.

Examples WFMINPRE:YZERO 1.5E+0 specifies that the zero reference point for the incoming waveform is 1.5 V below the center of the data range (given that WFMInpre:YUNit is set to V).

WFMINPRE:YZERO? might return :WFMINPRE:YZero 7.5000E-6, indicating that the zero reference for the incoming waveform is 7.5 μ V below the center of the data range (given that WFMInpre:YUNit is set to V).

WFMOutpre? (Query Only)

This query-only command returns the waveform formatting data for the waveform specified by the [DATA:SOURce](#) command. The preamble components are considered to be of two types; formatting and interpretation. The formatting components are: ENCdg, BN_Fmt, BYT_Or, BYT_Nr, BIT_Nr. The interpretation components are derived from the [DATA:SOURce](#) specified waveform.

Group	Waveform Transfer
Syntax	WFMOutpre?
Examples	<p>WFMOUTPRE? ? might return the waveform formatting data as:</p> <pre>:WFMOUTPRE:BIT_NR 8;BN_FMT RI;BYT_NR 1; BYT_OR MSB;ENCDG BIN;NR_PT 500; PT_FMT Y;PT_ORDER LINEAR;PT_OFF 0; XINCR 8.0000E-9;XZERO 4.8794E-9; XUNIT "s";YMULT -2000.0000E-3; YOFF -4999.9995E-3;YZERO 0.0000;YUNIT "V"; WFID "Ch1, DC coupling, 2.000V/div, 400.0ns/div,500 points, Sample mode".</pre>

WFMOutpre:BIT_Nr

This command sets and returns the number of bits per waveform point that outgoing waveforms contain, as specified by the [DATA:SOURce](#) command. Note that values will be constrained according to the underlying waveform data. This specification is only meaningful when [WFMOutpre:ENCDg](#) is set to BIN and [WFMOutpre:BN_Fmt](#) is set to either RI or RP.

Group	Waveform Transfer
Syntax	<pre>WFMOutpre:BIT_Nr <NR1> WFMOutpre:BIT_Nr?</pre>
Related Commands	DATA:SOURce , WFMOutpre:BN_Fmt , WFMOutpre:ENCDg
Arguments	<NR1> number of bits per data point can be 8, 16, 32 or 64.
Examples	<p>WFMOUTPRE:BIT_NR 16 sets the number of bits per waveform point to 16 for incoming RI and RP binary format data.</p> <p>WFMOUTPRE:BIT_NR? might return :WFMOUTPRE:BIT_NR 8, indicating that outgoing RI or RP binary format data uses 8 bits per waveform point.</p>

WFMOutpre:BN_Fmt

This command sets or queries the format of binary data for outgoing waveforms specified by the [DATA:SOURce](#) command.

Group	Waveform Transfer
--------------	-------------------

Syntax WFMOutpre:BN_Fmt {RI|RP|FP}
WFMOutpre:BN_Fmt?

Related Commands [DATA:SOURce](#)

Arguments RI specifies signed integer data point representation.
RP specifies positive integer data point representation.
FP specifies single-precision binary floating point data point representation.

Examples WFMOUTPRE:BN_FMT FP specifies that outgoing waveform data will be in single-precision binary floating point format.
WFMOUTPRE:BN_FMT? might return :WFMOUTPRE:BN_FMT RI, indicating that the outgoing waveform data is currently in signed integer format.

WFMOutpre:BYT_Nr

This command sets or returns the binary field data width for the waveform specified by the [DATA:SOURce](#) command. Note that values will be constrained according to the underlying waveform data. This specification is only meaningful when [WFMOutpre:ENCdg](#) is set to BIN, and [WFMOutpre:BN_Fmt](#) is set to either RI or RP.

Group Waveform Transfer

Syntax WFMOutpre:BYT_Nr <NR1>
WFMOutpre:BYT_Nr?

Related Commands [DATA:SOURce](#), [WFMOutpre:BN_Fmt](#), [WFMOutpre:ENCdg](#)

Arguments <NR1> is the number of bytes per data point and can be 1, 2, 4 or 8. A value of 1 or 2 bytes per waveform point indicates channel data; 4 bytes per waveform point indicate math data; 8 bytes per waveform point indicate pixel map (DPO) data.

Examples WFMOUTPRE:BYT_NR 1 sets the number of bytes per outgoing waveform data point to 1, which is the default setting.

WFMOUTPRE:BYT_NR? might return :WFMOUTPRE:BYT_NR 2, indicating that there are 2 bytes per outgoing waveform data point.

WFMOutpre:BYT_Or

This command sets or queries which byte of binary waveform data is transmitted first, during a waveform data transfer, when data points require more than one byte. This specification only has meaning when [WFMOutpre:ENCdg](#) is set to BIN.

Group Waveform Transfer

Syntax WFMOutpre:BYT_Or {LSB|MSB}
WFMOutpre:BYT_Or?

Related Commands [WFMOutpre:ENCdg](#)

Arguments LSB specifies that the least significant byte will be transmitted first.
MSB specifies that the most significant byte will be transmitted first.

Examples WFMOUTPRE:BYT_OR MSB sets the most significant outgoing byte of waveform data to be transmitted first.
WFMOUTPRE:BYT_OR? might return :WFMOUTPRE:BYT_OR LSB, indicating that the least significant data byte will be transmitted first.

WFMOutpre:ENCdg

This command sets and queries the type of encoding for outgoing waveforms.

Group Waveform Transfer

Syntax WFMOutpre:ENCdg {ASCIi|BINary}
WFMOutpre:ENCdg?

Related Commands [DATA:ENCdg](#), [WFMOutpre:BYT_Nr](#), [WFMOutpre:BYT_Or](#), [WFMOutpre:BIT_Nr](#), [WFMOutpre:BN_Fmt](#)

Arguments ASCIi specifies that the outgoing data is to be in ASCII format. Waveforms internally stored as integers will be sent as <NR1> numbers, while those stored as floating point will be sent as <NR3> numbers.

BiNary specifies that outgoing data is to be in a binary format whose further specification is determined by [WFMOutpre:BYT_Nr](#), [WFMOutpre:BIT_Nr](#), [WFMOutpre:BN_Fmt](#) and [WFMOutpre:BYT_Or](#).

Examples `WFMOUTPRE:ENCDG ASCi i` specifies that the outgoing waveform data will be sent in ASCII format.

`WFMOUTPRE:ENCDG?` might return `:WFMOUTPRE:ENCDG BiNary`, indicating that outgoing waveform data will be sent in binary format.

WFMOutpre:NR_FR? (Query Only)

This query-only command returns the number of frames for the [DATA:SOURce](#) waveform transmitted in response to a [CURVe?](#) query.

Group Waveform Transfer

Syntax `WFMOutpre:NR_FR?`

Related Commands [CURVe](#), [DATA](#), [DATA:START](#), [DATA:STOP](#), [SAVe:WAVEform](#), [SAVe:WAVEform:FILEFormat](#), [WFMInpre:NR_FR](#), [WFMInpre:NR_Pt](#), [WFMOutpre:NR_Pt?](#)

Examples `WFMOUTPRE:NR_FR?` might return `:WFMOUTPRE:NR_FR 500`, indicating that there are 500 data frames to be sent.

WFMOutpre:NR_Pt? (Query Only)

This query-only command returns the number of points for the [DATA:SOURce](#) waveform that will be transmitted in response to a [CURVe?](#) query.

Group Waveform Transfer

Syntax `WFMOutpre:NR_Pt?`

Related Commands [CURVe](#), [DATA](#), [DATA:START](#), [DATA:STOP](#), [SAVe:WAVEform](#), [SAVe:WAVEform:FILEFormat](#), [WFMInpre:NR_FR](#), [WFMInpre:NR_Pt](#), [WFMOutpre:NR_FR?](#)

Examples WFMOUTPRE:NR_PT? might return :WFMOUTPRE:NR_PT 5000, indicating that there are 5000 data points to be sent.

WFMOutpre:PT_Fmt? (Query Only)

This query-only command returns the point format for the waveform specified by the [DATA:SOURce](#) command. The format specifies a set of equations describing how the scale factors in the preamble are used to give meaning to the [CURVe](#) data points.

An error is reported if the DATA:SOURce waveform does not exist.

Group Waveform Transfer

Syntax WFMOutpre:PT_Fmt?

Related Commands [CURVe](#), [DATA:SOURce](#)

Examples WFMOUTPRE:PT_FMT? might return :WFMOutpre:PT_Fmt ENV, indicating that the waveform data is a series of min-max pairs.

WFMOutpre:PT_Off? (Query Only)

This query-only command returns the trigger point relative to [DATA:START](#) for the waveform specified by the [DATA:SOURce](#) command.

NOTE. *This returned value is the point immediately following the actual trigger.*

Group Waveform Transfer

Syntax WFMOutpre:PT_Off?

Related Commands [DATA:SOURce](#), [DATA:START](#), [WFMOutpre:XZErO?](#)

Examples WFMOUTPRE:PT_OFF? might return :WFMOUTPRE:PT_OFF 251 specifying that the trigger actually occurred between points 250 and 251.

WFMOutpre:PT_ORder? (Query Only)

This query-only command specifies whether the source waveform is Fast Acquisition. A Fast Acquisition waveform is stored as a 502 (vertical) by 1000 (horizontal) point bitmap. Each point represents display intensity for that screen location. Only [CURVe?](#) query functions are allowed on Fast Acquisition waveforms.

When the WFMOutpre:PT_OR query returns Column, this indicates that the source is a Fast Acquisition waveform (and that each of 1000 possible horizontal columns being transmitted contains 502 vertical points). When the WFMOutpre:PT_OR? query returns Linear, this indicates that the source is not a Fast Acquisition waveform (and that each horizontal column being sent contains only one vertical point). Note that waveform points are transmitted in the following order: top to bottom, then left to right.

Group Waveform Transfer

Syntax WFMOutpre:PT_ORder?

Related Commands [DATA:SOURce](#)

Examples WFMOUTPRE:PT_ORDER? might return :WFMOUTPRE:PT_OR COL specifying that the waveform designated by the DATA:SOURce waveform is a Fast Acquisition waveform.

WFMOUTPRE:PT_ORDER? might return :WFMOUTPRE:PT_OR LINEAR, indicating that the source waveform is a non-Fast Acquisition waveform.

WFMOutpre:WFId? (Query Only)

This query-only command returns a string describing several aspects of the acquisition parameters for the waveform specified by the [DATA:SOURce](#) command.

An error is reported if the DATA:SOURce waveform does not exist.

Group Waveform Transfer

Syntax WFMOutpre:WFId?

Related Commands [DATA:SOURce](#)

Returns <QString> comprises the following comma-separated fields documented in the following tables:

Table 2-21: Waveform Suffixes

Field	Description	Examples
Source	The source identification string as it appears in the front-panel scale factor readouts.	"CH1-4" "Math1-3" "Ref1-4"
Coupling	A string describing the vertical coupling of the waveform (the Source1 waveform in the case of Dual Waveform Math).	"AC coupling" "DC coupling" "GND coupling"
Vert Scale	A string containing the vertical scale factor of the unzoomed waveform. The numeric portion will always be four digits. The examples cover all known internal units.	"100.0 mV/div" "20.00 dB/div" "45.00 deg/div" "785.4 mrad/div" "500.0 μ Vs/div" "10.00 kV/s/div" "200.0 mV/div" "50.00 unk/div"
Horiz Scale	A string containing the horizontal scale factor of the unzoomed waveform. The numeric portion will always be four digits. The examples cover all known internal units.	"100 ms/div" "10.00 kHz/div" "50.00 c/div"
Record Length	A string containing the number of waveform points available in the entire record. The numeric portion is given as an integer.	"500 points" "500000 points"
Acquisition Mode	A string describing the mode used to acquire the waveform.	"Sample mode" "Pk Detect mode" "Hi Res mode" "Envelope mode" "Average mode"

Examples WFMOUTPRE:WFID? might return :WFMOUTPRE:WFID "Ch1, DC coupling,100.0mVolts/div,500.0 μ s/div,500 points, Hi Res mode".

WFMOutpre:XINcr? (Query Only)

This query-only command returns the horizontal point spacing in units of WFMOutpre:XUNit for the waveform specified by the [DATA:SOURce](#) command. This value corresponds to the sampling interval.

An error is reported if the [DATA:SOURce](#) waveform does not exist.

Group Waveform Transfer

Syntax WFMOutpre:XINcr?

Related Commands [DATA:SOURce](#), [WFMOutpre:XUNit?](#)

Examples WFMOUTPRE:XINCR? might return :WFMOUTPRE:XINCR 10.0000E-6, indicating that the horizontal sampling interval is 10 μ s/point (500 μ s/div).

WFMOutpre:XUNit? (Query Only)

This query-only command returns the horizontal units for the waveform specified by the [DATA:SOURce](#) command.

An error is reported if the DATA:SOURce waveform does not exist.

Group Waveform Transfer

Syntax WFMOutpre:XUNit?

Related Commands [DATA:SOURce](#)

Examples WFMOUTPRE:XUNIT? might return :WFMOUTPRE:XUNIT "HZ", indicating that the horizontal units for the waveform are in Hertz.

WFMOutpre:XZEro? (Query Only)

This query-only command returns the sub-sample time between the trigger sample (designated by PT_OFF) and the occurrence of the actual trigger for the waveform specified by the [DATA:SOURce](#) command. This value is in units of WFMOutpre:XUNit.

An error is reported if the DATA:SOURce waveform does not exist.

NOTE. *During steady state operation, when all control changes have settled and triggers are arriving on a regular basis, this is the only part of the preamble that changes on each acquisition.*

Group Waveform Transfer

Syntax WFMOutpre:XZEro?

Related Commands [DATA:SOURce](#), [WFMOupre:XUNit?](#)

Examples `WFMOUPRE:XZERO?` might return `:WFMOUPRE:XZERO 5.6300E-9`, indicating that the trigger actually occurred 5.63 ns before the trigger sample.

WFMOupre:YMUlt? (Query Only)

This query-only command returns the vertical scale factor per digitizing level in units specified by `WFMOupre:YUNit` for the waveform specified by the [DATA:SOURce](#) command. For those formats in which [WFMOupre:BYT_Nr](#) is important (all non-floating point formats), `WFMOupre:YMUlt?` must take the location of the binary point implied by `BYT_NR` into consideration.

An error is reported if the `DATA:SOURce` waveform does not exist.

Group Waveform Transfer

Syntax `WFMOupre:YMUlt?`

Related Commands [DATA:SOURce](#)

Examples `WFMOUPRE:YMULT?` might return `:WFMOUPRE:YMULT 4.0000E-3`, indicating that the vertical scale for the corresponding waveform is 100 mV/div.

WFMOupre:YOFf? (Query Only)

This query-only command returns the vertical offset in digitized levels for the waveform specified by the [DATA:SOURce](#) command. For those formats in which `BYT_NR` is important (all non-floating point formats), this command must take the location of the binary point implied by [WFMOupre:BYT_Nr](#) into consideration.

An error is reported if the `DATA:SOURce` waveform does not exist.

Group Waveform Transfer

Syntax `WFMOupre:YOFf?`

Related Commands [DATA:SOURce](#), [WFMOupre:BYT_Nr](#)

Examples WFMOUTPRE:YOFF? might return :WFMOUTPRE:YOFF -50.0000E+0, indicating that the position indicator for the waveform was 50 digitizing levels (2 divisions) below center screen.

WFMOutpre:YUNit? (Query Only)

This query-only command returns the vertical units for the waveform specified by the [DATA:SOURce](#) command.

An error is reported if the DATA:SOURce waveform does not exist.

Group Waveform Transfer

Syntax WFMOutpre:YUNit?

Related Commands [DATA:SOURce](#)

Examples WFMOUTPRE:YUNIT? might return :WFMOUTPRE:YUNIT "dB", indicating that the vertical units for the waveform are measured in decibels.

WFMOutpre:YZEro? (Query Only)

This query-only command returns the vertical offset in units specified by [WFMOutpre:YUNit?](#) for the waveform specified by the [DATA:SOURce](#) command.

An error is reported if the DATA:SOURce waveform does not exist.

Group Waveform Transfer

Syntax WFMOutpre:YZEro?

Related Commands [DATA:SOURce](#), [WFMOutpre:YUNit?](#)

Examples WFMOUTPRE:YZERO? might return :WFMOUTPRE:YZERO -100.0000E-3, indicating that vertical offset is set to -100 mV.

ZOOM

This command resets the zoom transforms to default values for all traces or live traces. The ZOOM query returns the current vertical and horizontal positioning and scaling of the display.

Group Zoom

Syntax ZOOM {RESET|RESETLive}
ZOOM?

Arguments RESET resets the zoom transforms to default values for all traces.
RESETLive resets the zoom transforms to default values for live traces.

Examples ZOOM RESET resets the zoom transforms to default values for all traces.
ZOOM? might return :ZOOM:MODE 0;GRATICULE:SIZE 80;SPLIT EIGHTYTWENTY:ZOOM:SCROLL:DIRECTION STOP; LOCK 0;SPEED 1:ZOOM:ZOOM1:STATE 1; SCROLLLOCK 1;CH1:HORIZONTAL:POSITION 50.0000; SCALE 5:ZOOM:ZOOM1:CH1:VERTICAL:POSITION 0.0000; SCALE 1.0000:ZOOM:ZOOM1:CH2:HORIZONTAL:POSITION 50.0000;SCALE 5:ZOOM:ZOOM1:CH2:VERTICAL:POSITION 0.0000; SCALE 1.0000:ZOOM:ZOOM1:CH3:HORIZONTAL:POSITION 50.0000; SCALE 5:ZOOM:ZOOM1:CH3:VERTICAL:POSITION 0.0000; SCALE 1.0000:ZOOM:ZOOM1:CH4:HORIZONTAL:POSITION 50.0000; SCALE 5:ZOOM:ZOOM1:CH4:VERTICAL:POSITION 0.0000;SCALE 1.0000:ZOOM:ZOOM1:MATH1:HORIZONTAL:POSITION 50.0000; SCALE 5:ZOOM:ZOOM1:MATH1:VERTICAL:POSITION 0.0000;SCALE 1.0000:ZOOM:ZOOM1:MATH2:HORIZONTAL:POSITION 50.0000; SCALE 5:ZOOM:ZOOM1:MATH2:VERTICAL:POSITION 0.0000;...

ZOOM:GRATICULE:SIZE

This command sets or queries the size, in percent, of the Zoom (lower) graticule.

Group Zoom

Syntax ZOOM:GRATICULE:SIZE {50|80|100}
ZOOM:GRATICULE:SIZE?

Arguments 50 sets the size of the Zoom graticule to 50%.
 80 set the size of the Zoom graticule to 80%.
 100 sets the size of the Zoom graticule to 100%.

Examples ZOOM:GRATICULE:SIZE 100 sets the zoom graticule size to 100%.
 ZOOM:GRATICULE:SIZE? might return :ZOOM:GRATICULE:SIZE 100,
 indicating that the zoom graticule size is set to 100%.

ZOOM:HORIZONTAL:POSITION

This command sets or queries the horizontal position around which the zoom waveform is displayed. It is freely movable within the confines of the acquired waveform (0% to 100%) and measured from left to right of the acquired waveform.

Group Zoom

Syntax ZOOM:HORIZONTAL:POSITION <NR3>
 ZOOM:HORIZONTAL:POSITION?

Arguments NR3 is a value from 0 to 100.00 and is the percent of the waveform that is to the left of screen center, when the zoom factor is 1× or greater.

Examples ZOOM:HORIZONTAL:POSITION 50 sets the horizontal position to 50.
 ZOOM:HORIZONTAL:POSITION? might return :ZOOM:HORIZONTAL:POSITION
 23.90000, indicating that the horizontal position is set to 23.9.

ZOOM:HORIZONTAL:SCALE

This command sets or queries the zoom horizontal scale factor around which the zoom waveform is displayed.

Group Zoom

Syntax ZOOM:HORIZONTAL:SCALE <NR3>
 ZOOM:HORIZONTAL:SCALE?

Arguments <NR3> is the amount of expansion in the horizontal direction in 1-2-5 increments.

Examples ZOOM:HORIZONTAL:SCALE 5 sets the horizontal scale to 5.
 ZOOM:HORIZONTAL:SCALE? might return :ZOOM:HORIZONTAL:SCALE 10, indicating that the horizontal scale is set to 10.

ZOOM:MATH<x>:HORizontal:POSition

This command sets or queries the horizontal position of the specified math waveform.

Group Zoom

Syntax ZOOM:MATH<x>:HORizontal:POSition <NR3>
 ZOOM:MATH<x>:HORizontal:POSition?

Arguments <NR3> is a value from 0 to 100.00 and is the percent of the waveform that is to the left of screen center, when the zoom factor is 1× or greater.

Examples ZOOM:MATH1:HORIZONTAL:POSITION 50 sets the horizontal position of the specified Math 1 waveform to 50.
 ZOOM:MATH1:HORIZONTAL:POSITION? might return :ZOOM:MATH1:HORIZONTAL:POSITION 23.9000, indicating that the horizontal position of the specified Math 1 waveform is set to 23.9.

ZOOM:MATH<x>:HORizontal:SCALE

This command sets or queries the zoom horizontal scale factor of the specified math waveform.

Group Zoom

Syntax ZOOM:MATH<x>:HORizontal:SCALE <NR3>
 ZOOM:MATH<x>:HORizontal:SCALE?

Arguments <NR3> is the amount of expansion in the horizontal direction in 1-2-5 increments.

Examples ZOOM:MATH1:HORIZONTAL:SCALE 10 sets the horizontal scale factor of the specified Math 1 waveform to 10.

ZOOM:MATH1:HORIZONTAL:SCALE? might return
:ZOOM:MATH1:HORIZONTAL:SCALE 5, indicating that the horizontal scale factor of the specified Math 1 waveform to 5.

ZOOM:MATH<x>:VERTICAL:POSITION

This command sets or queries the vertical position of the specified math waveform.

Group Zoom

Syntax ZOOM:MATH<x>:VERTICAL:POSITION <NR3>
ZOOM:MATH<x>:VERTICAL:POSITION?

Arguments <NR3> is the vertical position, expressed in divisions.

Examples ZOOM:MATH1:VERTICAL:POSITION 5 sets the vertical position of the specified Math 1 waveform to 5.

ZOOM:MATH1:VERTICAL:POSITION? might return
:ZOOM:MATH1:VERTICAL:POSITION 340.0000E-3, indicating that the vertical position of the specified Math 1 waveform is set to 0.34.

ZOOM:MATH<x>:VERTICAL:SCALE

This command sets or queries the zoom vertical scale of the specified math waveform.

Group Zoom

Syntax ZOOM:MATH<x>:VERTICAL:SCALE <NR3>
ZOOM:MATH<x>:VERTICAL:SCALE?

Arguments <NR3> sets the horizontal scale factor of the specified Math 1 waveform to 10.

Examples ZOOM:MATH1:VERTICAL:SCALE 5 sets the vertical scale factor of the specified Math 1 waveform to 5.

ZOOM:MATH1:VERTICAL:SCALE? might return
:ZOOM:MATH1:VERTICAL:SCALE 2.0000, indicating that the
vertical scale factor of the specified Math 1 waveform is set to 2.

ZOOM:MODE

This command turns Zoom mode on or off. The Zoom query returns the current state of Zoom mode. This command is equivalent to pressing the **ZOOM** button located on the front panel.

Group	Zoom
Syntax	ZOOM:MODE {ON OFF <NR1>} ZOOM:MODE
Arguments	ON turns on Zoom mode. OFF turns off Zoom mode. <NR1> = 0 turns off Zoom mode; any other value turns on Zoom mode.
Examples	ZOOM:MODE OFF turns off Zoom mode. ZOOM:MODE? might return :ZOOM:MODE 1, indicating that Zoom mode is currently turned on.

ZOOM:REF<x>:HORIZONTAL:POSITION

This command sets or queries the horizontal position of the specified reference waveform.

Group	Zoom
Syntax	ZOOM:REF<x>:HORIZONTAL:POSITION <NR3> ZOOM:REF<x>:HORIZONTAL:POSITION?
Arguments	<NR3> is a value from 0 to 100.00 and is the percent of the waveform that is to the left of screen center, when the zoom factor is 1× or greater.
Examples	ZOOM:REF1:HORIZONTAL:POSITION 50 sets the horizontal position of the specified Reference 1 waveform to 50.

ZOOM:REF1:HORIZONTAL:POSITION? might return
:ZOOM:REF1:HORIZONTAL:POSITION 23.9000, indicating that the horizontal
position of the specified Reference 1 waveform is set to 23.9.

ZOOM:REF<x>:HORIZONTAL:SCALE

This command sets or queries the zoom horizontal scale factor of the specified
reference waveform.

Group Zoom

Syntax ZOOM:REF<x>:HORIZONTAL:SCALE <NR3>
ZOOM:REF<x>:HORIZONTAL:SCALE?

Arguments <NR3> is the amount of expansion in the horizontal direction in 1-2-5 increments.

Examples ZOOM:REF1:HORIZONTAL:SCALE 10 sets the horizontal scale factor of the
specified Reference 1 waveform to 10.

ZOOM:REF1:HORIZONTAL:SCALE? might return
:ZOOM:REF1:HORIZONTAL:SCALE 5, indicating that the
horizontal scale factor of the specified Reference 1 waveform to 5.

ZOOM:REF<x>:VERTICAL:POSITION

This command sets or queries the vertical position of the specified reference
waveform.

Group Zoom

Syntax ZOOM:REF<x>:VERTICAL:POSITION <NR3>
ZOOM:REF<x>:VERTICAL:POSITION?

Arguments <NR3> is the vertical position, expressed in divisions.

Examples ZOOM:REF1:VERTICAL:POSITION 5 sets the vertical l position of the specified
Reference 1 waveform to 5.

ZOOM:REF1:VERTICAL:POSITION? might return
:ZOOM:REF1:VERTICAL:POSITION 340.0000E-3, indicating
that the vertical position of the specified Reference 1 waveform is set to 0.34.

ZOOM:REF<x>:VERTICAL:SCALE

This command sets or queries the zoom vertical scale of the specified reference waveform.

Group	Zoom
Syntax	ZOOM:REF<x>:VERTICAL:SCALE <NR3> ZOOM:REF<x>:VERTICAL:SCALE?
Arguments	<NR3> sets the horizontal scale factor of the specified Reference 1 waveform to 10.
Examples	ZOOM:REF1:VERTICAL:SCALE 5 sets the vertical scale factor of the specified Reference 1 waveform to 5. ZOOM:REF1:VERTICAL:SCALE? might return :ZOOM:REF1:VERTICAL:SCALE 2.0000, indicating that the vertical scale factor of the specified Reference 1 waveform is set to 2.

ZOOM:SCROLL:DIRECTION

This command sets or returns the direction for automatic scrolling of zoomed waveforms.

Group	Zoom
Syntax	ZOOM:SCROLL:DIRECTION {FWD FFWD REV FREV STOP} ZOOM:SCROLL:DIRECTION?
Arguments	FWD starts AutoScroll. The Zoom Box moves from left to right. FFWD starts AutoScroll. Increases the scrolling speed in the forward direction. REV starts AutoScroll. The Zoom Box moves from right to left. FREV starts AutoScroll. Increases the scrolling speed in the reverse direction. STOP halts AutoScroll.

Examples ZOOM:SCROLL:DIRECTION FWD starts AutoScroll. The Zoom Box moves from left to right.

ZOOM:SCROLL:DIRECTION? might return :ZOOM:SCROLL:DIRECTION REVERSE, indicating that Zoom Box is moving from right to left.

ZOOM:SCROLL:LOCK

This command sets or returns the state of Scroll Lock, which “locks” zoomed waveforms under common control.

Group Zoom

Syntax ZOOM:SCROLL:LOCK {ON|OFF|<NR1>}
ZOOM:SCROLL:LOCK?

Arguments ON enables Scroll Lock.
OFF disables Scroll Lock.
<NR1> = 0 disables Scroll Lock for all zoom windows; any other value enables Scroll Lock for all zoom windows.

Examples ZOOM:SCROLL:LOCK ON enables Scroll Lock for zoomed waveforms identified as locked.

ZOOM:SCROLL:LOCK ? might return :ZOOM:SCROLL:LOCK OFF, indicating that the scroll lock function is disabled.

ZOOM:SCROLL:SPEED

This command sets or returns the speed of automatic scrolling.

Group Zoom

Syntax ZOOM:SCROLL:SPEED <NR1>
ZOOM:SCROLL:SPEED?

Arguments <NR1> is a value from 1 to 10.

Examples ZOOM:SCROLL:SPEED 2 will scroll zoomed waveform(s) 2 divisions per update.
 ZOOM:SCROLL:SPEED? might return :ZOOM:SCROLL:SPEED 1, indicating that the scroll speed is set to move zoomed waveform(s) 1 division per update.

ZOOM:STATE

This command sets or queries the specified zoom on or off.

Group Zoom

Syntax ZOOM:STATE {ON|OFF|<NR1>}
 ZOOM:STATE?

Arguments ON turns zoom on or off.
 OFF turns zoom on or off.
 <NR1> = 0 disables the zoom; any other value enables the zoom.

Examples ZOOM:STATE ON turns zoom on.
 ZOOM:STATE? might return :ZOOM:STATE 1, indicating that zoom is on.

ZOOM:VERTical:POSition

This command sets or queries the vertical position around which the zoom waveform is displayed. It is freely movable within the confines of the acquired waveform (0% to 100%) and measured from left to right of the acquired waveform.

Group Zoom

Syntax ZOOM:VERTical:POSition <NR3>
 ZOOM:VERTical:POSition?

Arguments NR3 is a value from 0 to 100.00 and is the percent of the waveform that is to the left of screen center, when the zoom factor is 1× or greater.

Examples ZOOM:VERTICAL:POSITION 50 sets the vertical position to 50.
 ZOOM:VERTICAL:POSITION? might return :ZOOM:VERTICAL:POSITION 23.90000, indicating that the vertical position is set to 23.9.

ZOOM:VERTICAL:SCALE

This command sets or queries the zoom vertical scale factor around which the zoom waveform is displayed.

Group	Zoom
Syntax	ZOOM:VERTICAL:SCALE <NR3> ZOOM:VERTICAL:SCALE?
Arguments	<NR3> is the amount of expansion in the vertical direction in 1-2-5 increments.
Examples	ZOOM:VERTICAL:SCALE 5 sets the vertical scale to 5. ZOOM:VERTICAL:SCALE? might return :ZOOM:VERTICAL:SCALE 10, indicating that the vertical scale is set to 10.

ZOOM:ZOOM<x>

This command resets the zoom transforms to default values for all traces of the specified zoom, where x is an integer from 1 to 4 representing the desired zoom window. The [ZOOM:REF<x>:VERTICAL:SCALE?](#) query returns the current vertical and horizontal positioning and scaling of the display.

Group	Zoom
Syntax	ZOOM:ZOOM<x> {RESET RESETLive} ZOOM:ZOOM<x>?
Arguments	RESET resets the zoom transforms to default values for all traces of the specified zoom. RESETLive resets the zoom transforms to default values for live traces of the specified zoom.
Examples	ZOOM:ZOOM1 RESET resets the zoom transforms for all traces of Zoom1 to their default values ZOOM:ZOOM1? might return :ZOOM:ZOOM1:STATE 1;SCROLLLOCK 1; CH1:HORIZONTAL POSITION 50.0000;SCALE 5; :ZOOM:ZOOM1:CH1:VERTICAL:POSITION 0.0000; SCALE 1.0000; :ZOOM:ZOOM1:CH2:HORIZONTAL:POSTION 50.0000;

SCALE 5; :ZOOM:ZOOM1:CH2:VERTICAL:POSITION 0.000; SCALE 1.0000; :ZOOM:ZOOM1:CH3:HORIZONTAL:POSITION50.000; SCALE 5; :ZOOM:ZOOM1:CH3:VERTICAL... , indicating the Zoom1 transforms for all traces.

ZOOMm:ZOOM<x>:SCROLLLock

This command sets or queries Scroll Lock for the specified zoom, where x is an integer from 1 to 4 representing the desired zoom window.

Group	Zoom
Syntax	ZOOMm:ZOOM<x>:SCROLLLock {ON OFF 1 0 <NR1>} ZOOMm:ZOOM<x>:SCROLLLock?
Arguments	ON locks waveforms for the specified zoom window <x>. OFF unlocks waveforms for the specified zoom window <x>. <NR1> = 0 unlocks waveforms for the specified zoom window <x>; any other value locks waveforms for the specified zoom window <x>.
Examples	ZOOM:ZOOM1:SCROLLLOCK ON turns Zoom1 scroll lock on. ZOOM:ZOOM1:SCROLLLOCK? returns either ON 1 or OFF 0 for Zoom1.

ZOOMm:ZOOM<x>:STATE

This command sets or queries the specified zoom on or off, where x is an integer from 1 to 4 representing the desired zoom window.

Default is Zoom1 on, Zoom2 - 4 off.

Group	Zoom
Syntax	ZOOMm:ZOOM<x>:STATE {ON OFF <NR1>} ZOOMm:ZOOM<x>:STATE?
Arguments	ON turns Zoom 1-4 on. OFF turns Zoom 1-4 off.

<NR1> = 0 disables the specified zoom; any other value enables the specified zoom.

Examples ZOOM:ZOOM1:STATE ON turns Zoom1 on.
 ZOOM:ZOOM2:STATE? might return :ZOOM:ZOOM2:STATE 1, indicating that Zoom2 is on.

ZOOM:ZOOM<x>:<wfm>:DISplay

This command sets or queries the display of the specified waveform for the specified zoom, where x is an integer from 1 to 4 representing the desired zoom window. The waveform affected is determined by <wfm> which can vary from CH1, CH2, CH3, CH4, Math1, Math2, Math3, Math4, Ref1, Ref2, Ref3, or Ref4.

Group Zoom

Syntax ZOOM:ZOOM<x>:<wfm>:DISplay {<NR1>|OFF|ON}
 ZOOM:ZOOM<x>:<wfm>:DISplay?

Arguments <NR1> A zero disables the specified zoom; any other value enables the specified zoom.

OFF disables the specified zoom.

ON displays the specified zoom.

Examples ZOOM:ZOOM1:CH1:DISPLAY ON displays the specified zoom waveform.
 ZOOM:ZOOM1:CH1:DISPLAY? might return :ZOOM:ZOOM1:CH1:DISPLAY 0, indicating the channel 1 zoom is disabled.

ZOOM:ZOOM<x>:<wfm>:HORizontal:POSition

This command sets or queries the horizontal position of the specified waveform for the specified zoom, where x is an integer from 1 to 4 representing the desired zoom window. The setting of the [ZOOM:ZOOM<x>:SCROLLLock](#) command determines the waveforms that are affected.

Group Zoom

Syntax	ZOOM:ZOOM<x>:<wfm>:HORizontal:POSition <NR3> ZOOM:ZOOM<x>:<wfm>:HORizontal:POSition?
Arguments	<NR3> is a value from 0 to 100.00 and is the percent of the waveform that is to the left of screen center, when the zoom factor is 1× or greater.
Examples	ZOOM:ZOOM1:CH1:HORIZONTAL:POSITION 50 sets the Zoom1 reference pointer at 50% of acquired waveform. ZOOM:ZOOM1:CH1:HORIZONTAL:POSITION? might return :ZOOM1:CH1:HORIZONTAL:POSITION 50.0000, indicating that the Zoom1 reference pointer for Channel 1 is currently set at 50% of acquired waveform.

ZOOM:ZOOM<x>:<wfm>:HORizontal:SCALE

This command sets or queries the zoom horizontal scale factor of the specified waveform for the specified zoom, where x is an integer from 1 to 4 representing the desired zoom window.

Group	Zoom
Syntax	ZOOM:ZOOM<x>:<wfm>:HORizontal:SCALE <NR3> ZOOM:ZOOM<x>:<wfm>:HORizontal:SCALE?
Arguments	<NR3> is the amount of expansion in the horizontal direction in 1-2-5 increments.
Examples	ZOOM:ZOOM1:CH1:HORIZONTAL:SCALE 5 sets the horizontal scale factor of Channel 1 to 5. ZOOM:ZOOM2:CH2:HORIZONTAL:SCALE? might return :ZOOM2:CH2:HORIZONTAL:SCALE 1, indicating that Channel 2 has a horizontal scale factor of 1.

ZOOM:ZOOM<x>:<wfm>:HORizontal:TIMEPosition

This command sets or queries the zoom horizontal position of the specified waveform for the specified zoom, but in time from the trigger instead of percent of waveform.

Group	Zoom
--------------	------

Syntax ZOOM:ZOOM<x>:<wfm>:HORIZONTAL:TIMEPOSITION <NRF>
ZOOM:ZOOM<x>:<wfm>:HORIZONTAL:TIMEPOSITION?

Arguments <NRF> specifies the horizontal position in time from the trigger.

Returns ZOOM:ZOOM1:<wfm>:HORIZONTAL:TIMEPOSITION 1e-9 sets the Zoom1 reference pointer at 1 ns in the acquired waveform.

ZOOM:ZOOM<x>:<wfm>:VERTICAL:POSITION

This command sets or queries the vertical position of the specified waveform for the specified zoom, where x is an integer from 1 to 4 representing the desired zoom window. The setting of the ZOOM:ZOOM<x>:SCROLLLOCK command determines the waveforms that are affected. The <wfm> can be a channel, math, or reference waveform.

Group Zoom

Syntax ZOOM:ZOOM<x>:<wfm>:VERTICAL:POSITION <NR3>
ZOOM:ZOOM<x>:<wfm>:VERTICAL:POSITION?

Arguments <NR3> is the vertical position, expressed in divisions.

Examples ZOOM:ZOOM1:CH1:VERTICAL:POSITION 2 sets the Zoom1 vertical position to 2, which centers the zoom trace at the second division of the acquired trace.

ZOOM:ZOOM1:CH1:VERTICAL:POSITION? might return
:ZOOM1:CH1:VERTICAL:POSITION 0.0000, indicating that the Zoom1 trace for Channel 1 is centered at division 0 of the acquired trace.

ZOOM:ZOOM<x>:<wfm>:VERTICAL:SCALE

This command sets or queries the zoom vertical scale of the specified waveform for the specified zoom, where x is an integer from 1 to 4 representing the desired zoom window.

Group Zoom

Syntax ZOOM:ZOOM<x>:<wfm>:VERTICAL:SCALE <NR3>
ZOOM:ZOOM<x>:<wfm>:VERTICAL:SCALE?

Arguments <NR3> is the amount of vertical expansion or compression, which operates on a 1-2-5 sequence (for example, 1, 2, 5, 10, 20, 50, 100...). Based on the value that you entered, this command uses the nearest scale factor. Setting the vertical scale to 1 indicates unity (no zoom).

Examples ZOOM:ZOOM2:CH2:VERTICAL:SCALE 5 sets the vertical scale of Channel 2 to 5×.

ZOOM:ZOOM2:CH2:VERTICAL:SCALE? might return
:ZOOM2:CH2:VERTICAL:SCALE 2.0000, indicating that the vertical scale is 2×.

Status and Events

The instrument provides a status and event reporting system for the GPIB interfaces. This system informs you of certain significant events that occur within the instrument.

The instrument status handling system consists of five 8-bit registers and two queues for each interface. The remaining Status subtopics describe these registers and components. They also explain how the event handling system operates.

Registers

Overview

The registers in the event handling system fall into two functional groups:

- Status Registers contain information about the status of the instrument. They include the Standard Event Status Register (SESR).
- Enable Registers determine whether selected types of events are reported to the Status Registers and the Event Queue. They include the Device Event Status Enable Register (DESER), the Event Status Enable Register (ESER), and the Service Request Enable Register (SRER).

Status

The Standard Event Status Register (SESR) and the Status Byte Register (SBR) record certain types of events that may occur while the instrument is in use. IEEE Std 488.2-1987 defines these registers.

Each bit in a Status Register records a particular type of event, such as an execution error or message available. When an event of a given type occurs, the instrument sets the bit that represents that type of event to a value of one. (You can disable bits so that they ignore events and remain at zero. See Enable Registers). Reading the status registers tells you what types of events have occurred.

The Standard Event Status Register (SESR). The SESR records eight types of events that can occur within the instrument. Use the *ESR? query to read the SESR register. Reading the register clears the bits of the register so that the register can accumulate information about new events.

NOTE. *TekVISA applications use SESR bit 6 to respond to any of several events, including some front panel actions.*

7	6	5	4	3	2	1	0
PON	URQ	CME	EXE	DDE	QYE	RQC	OPC

Table 3-1: SESR Bit Functions

Bit	Function	
7 (MSB)	PON	Power On. Shows that the instrument was powered on. On completion, the diagnostic tests also set this bit.
6	URQ	User Request. Indicates that an application event has occurred. *See preceding note.
5	CME	Command Error. Shows that an error occurred while the instrument was parsing a command or query.
4	EXE	Execution Error. Shows that an error executing a command or query.
3	DDE	Device Error. Shows that a device error occurred.
2	QYE	Query Error. Either an attempt was made to read the Output Queue when no data was present or pending, or that data in the Output Queue was lost.
1	RQC	Request Control. This is not used.
0 (LSB)	OPC	Operation Complete. Shows that the operation is complete. This bit is set when all pending operations complete following an *OPC command.

The Status Byte Register (SBR). Records whether output is available in the Output Queue, whether the instrument requests service, and whether the SESR has recorded any events.

Use a Serial Poll or the *STB? query to read the contents of the SBR. The bits in the SBR are set and cleared depending on the contents of the SESR, the Event Status Enable Register (ESER), and the Output Queue. When you use a Serial Poll to obtain the SBR, bit 6 is the RQS bit. When you use the *STB? query to obtain the SBR, bit 6 is the MSS bit. Reading the SBR does not clear the bits.

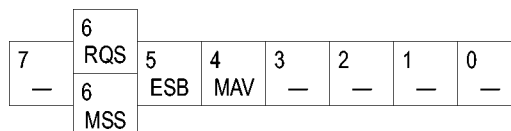


Table 3-2: SBR Bit Functions

Bit	Function	
7 (MSB)	—	Not used.
6	RQS	Request Service. Obtained from a serial poll. Shows that the instrument requests service from the GPIB controller.
6	MSS	Master Status Summary. Obtained from *STB? query. Summarizes the ESB and MAV bits in the SBR.
5	ESB	Event Status Bit. Shows that status is enabled and present in the SESR.
4	MAV	Message Available. Shows that output is available in the Output Queue.

Table 3-2: SBR Bit Functions (cont.)

Bit	Function
3	———— Not used.
2	———— Not used.
1-0	———— Not used.

Enable DESER, ESER, and SRER allow you to select which events are reported to the Status Registers and the Event Queue. Each Enable Register acts as a filter to a Status Register (the DESER also acts as a filter to the Event Queue) and can prevent information from being recorded in the register or queue.

Each bit in an Enable Register corresponds to a bit in the Status Register it controls. In order for an event to be reported to a bit in the Status Register, the corresponding bit in the Enable Register must be set to one. If the bit in the Enable Register is set to zero, the event is not recorded.

Various commands set the bits in the Enable Registers. The Enable Registers and the commands used to set them are described as follows.

The Device Event Status Enable Register (DESER). This register controls which types of events are reported to the SESR and the Event Queue. The bits in the DESER correspond to those in the SESR.

Use the DESE command to enable and disable the bits in the DESER. Use the DESE? query to read the DESER.

7	6	5	4	3	2	1	0
PON	URQ	CME	EXE	DDE	QYE	RQC	OPC

The Event Status Enable Register (ESER). This register controls which types of events are summarized by the Event Status Bit (ESB) in the SBR. Use the *ESE command to set the bits in the ESER. Use the *ESE? query to read it.

7	6	5	4	3	2	1	0
PON	URQ	CME	EXE	DDE	QYE	RQC	OPC

The Service Request Enable Register (SRER). This register controls which bits in the SBR generate a Service Request and are summarized by the Master Status Summary (MSS) bit.

Use the *SRE command to set the SRER. Use the *SRE? query to read the register. The RQS bit remains set to one until either the Status Byte Register is read with a Serial Poll or the MSS bit changes back to a zero.

7	6	5	4	3	2	1	0
—	—	ESB	MAV	—	—	—	—

- *PSC Command** The *PSC command controls the Enable Registers contents at power-on. Sending *PSC 1 sets the Enable Registers at power on as follows:
- DESER 255 (equivalent to a DESe 255 command)
 - ESER 0 (equivalent to an *ESE 0 command)
 - SRER 0 (equivalent to an *SRE 0 command)
- Sending *PSC 0 lets the Enable Registers maintain their values in nonvolatile memory through a power cycle.

NOTE. *Note: To enable the PON (Power On) event to generate a Service Request, send *PSC 0, use the DESe and *ESE commands to enable PON in the DESER and ESER, and use the *SRE command to enable bit 5 in the SRER. Subsequent power-on cycles will generate a Service Request.*

Queues

The *PSC command controls the Enable Registers contents at power-on. Sending *PSC 1 sets the Enable Registers at power on as follows:

- Output Queue** The instrument stores query responses in the Output Queue and empties this queue each time it receives a new command or query message after an <EOM>. The controller must read a query response before it sends the next command (or query) or it will lose responses to earlier queries.



CAUTION. *When a controller sends a query, an <EOM>, and a second query, the instrument normally clears the first response and outputs the second while reporting a Query Error (QYE bit in the ESER) to indicate the lost response. A fast controller, however, may receive a part or all of the first response as well. To avoid this situation, the controller should always read the response immediately after sending any terminated query message or send a DCL (Device Clear) before sending the second query.*

- Event Queue** The Event Queue stores detailed information on up to 33 events. If more than 32 events stack up in the Event Queue, the 32nd event is replaced by event code 350, “Queue Overflow.”

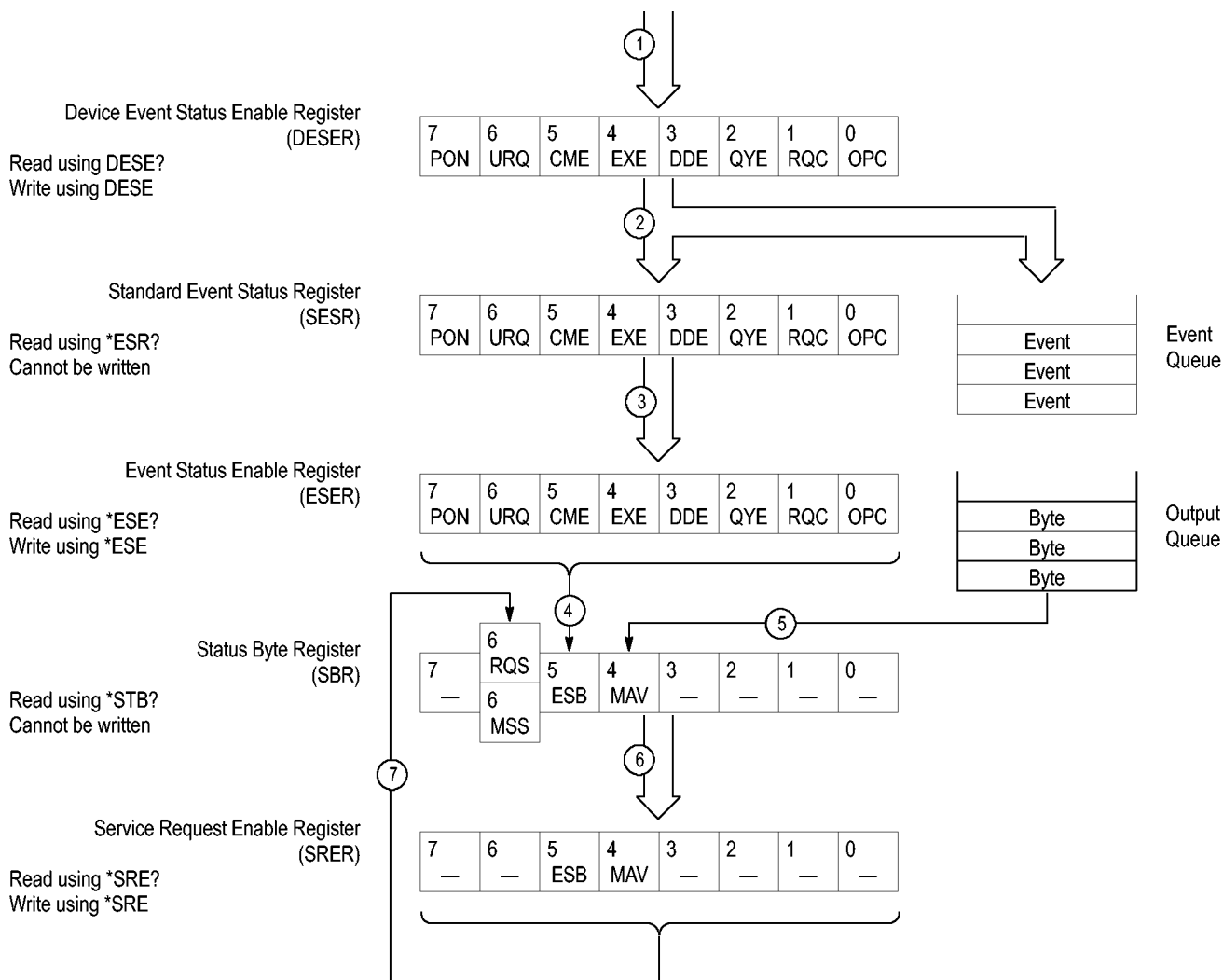
Read the Event Queue with the EVENT? query (which returns only the event number), with the EVMSG? query (which returns the event number and a text description of the event), or with the ALLEV? query (which returns all the event numbers along with a description of the event). Reading an event removes it from the queue.

Before reading an event from the Event Queue, you must use the *ESR? query to read the summary of the event from the SESR. This makes the events summarized by the *ESR? read available to the EVENT? and EVMSG? queries, and empties the SESR.

Reading the SESR erases any events that were summarized by previous *ESR? reads but not read from the Event Queue. Events that follow an *ESR? read are put in the Event Queue but are not available until *ESR? is used again.

Event Handling Sequence

The figure below shows how to use the status and event handling system. In the explanation that follows, numbers in parentheses refer to numbers in the figure.



When an event occurs, a signal is sent to the DESER (1). If that type of event is enabled in the DESER (that is, if the bit for that event type is set to 1), the appropriate bit in the SESR is set to one, and the event is recorded in the Event Queue (2). If the corresponding bit in the ESER is also enabled (3), then the ESB bit in the SBR is set to one (4).

When output is sent to the Output Queue, the MAV bit in the SBR is set to one (5).

When a bit in the SBR is set to one and the corresponding bit in the SRER is enabled (6), the MSS bit in the SBR is set to one and a service request is generated (7).

Synchronization Methods

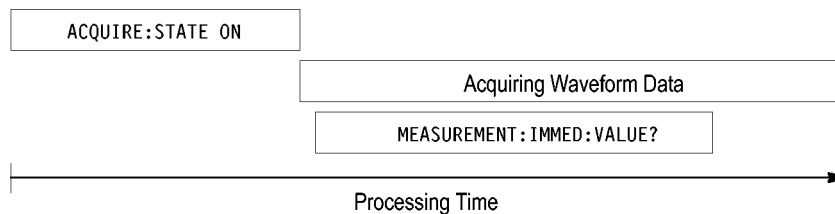
Overview Although most GPIB commands are completed almost immediately after being received by the instrument, some commands start a process that requires more time. For example, once a single sequence acquisition command is executed, depending upon the applied signals and trigger settings, it may be a few seconds before the acquisition is complete. Rather than remain idle while the operation is in process, the instrument will continue processing other commands. This means that some operations will not be completed in the order that they were sent.

Sometimes the result of an operation depends on the result of an earlier operation. A first operation must complete before the next one gets processed. The instrument status and event reporting system provides ways to do this.

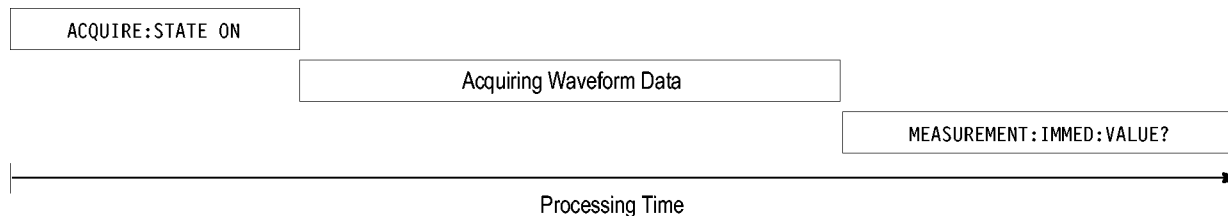
For example, a typical application might involve acquiring a single-sequence waveform and then taking a measurement on the acquired waveform. You could use the following command sequence to do this:

```
/** Set up conditional acquisition **/  
ACQUIRE:STATE OFF  
SELECT:CH1 ON  
HORIZONTAL:MODE:RECORDLENGTH 1000  
ACQUIRE:MODE SAMPLE  
ACQUIRE:STOPAFTER SEQUENCE  
/** Acquire waveform data **/  
ACQUIRE:STATE ON  
/** Set up the measurement parameters **/  
MEASUREMENT:IMMED:TYPE AMPLITUDE  
MEASUREMENT:IMMED:SOURCE CH1  
/** Take amplitude measurement **/  
MEASUREMENT:MEAS1:VALUE
```

The acquisition of the waveform requires extended processing time. It may not finish before the instrument takes an amplitude measurement (see the following figure). This can result in an incorrect amplitude value.



To ensure that the instrument completes waveform acquisition before taking the measurement on the acquired data, you can synchronize the program.



You can use four commands to synchronize the operation of the instrument with your application program: *WAI, BUSY, *OPC, and *OPC

***WAI** The *WAI command forces completion of previous commands that generate an OPC message. No commands after the *WAI are processed before the OPC message(s) are generated

The same command sequence using the *WAI command for synchronization looks like this:

```

/* Set up conditional acquisition */
ACQUIRE:STATE OFF
SELECT:CH1 ON
HORIZONTAL:MODE:RECORDLENGTH 1000
ACQUIRE:MODE SAMPLE
ACQUIRE:STOPAFTER SEQUENCE
/* Acquire waveform data */
ACQUIRE:STATE ON
/* Set up the measurement parameters */
MEASUREMENT:IMMED:TYPE AMPLITUDE
MEASUREMENT:IMMED:SOURCE CH1
/* wait until the acquisition is complete before taking
the measurement*/
*/
*WAI
/* Take amplitude measurement */
MEASUREMENT:IMMED:VALUE

```

The controller can continue to write commands to the input buffer of the instrument, but the commands will not be processed by the instrument until all OPC operations in process are complete. If the input buffer becomes full, the

controller will be unable to write more commands to the buffer. This can cause a time-out.

BUSY The BUSY? query allows you to find out whether the instrument is busy processing a command that has an extended processing time such as single-sequence acquisition.

The same command sequence, using the BUSY? query for synchronization, looks like this:

```
/* Set up conditional acquisition */
ACQUIRE:STATE OFF
SELECT:CH1 ON
HORIZONTAL:MODE:RECORDLENGTH 1000
ACQUIRE:MODE SAMPLE
ACQUIRE:STOPAFTER SEQUENCE
/* Acquire waveform data */
ACQUIRE:STATE ON
/* Set up the measurement parameters */
MEASUREMENT:IMMED:TYPE AMPLITUDE
MEASUREMENT:IMMED:SOURCE CH1
/* wait until the acquisition is complete before taking
the measurement */
while BUSY keep looping
/* Take amplitude measurement */
MEASUREMENT:IMMED:VALUE
```

This sequence lets you create your own wait loop rather than using the *WAI command. The BUSY? query helps you avoid time-outs caused by writing too many commands to the input buffer. The controller is still tied up though, and the repeated BUSY? query will result in more bus traffic.

*OPC

If the corresponding status registers are enabled, the *OPC command sets the OPC bit in the Standard Event Status Register (SESR) when an operation is complete. You achieve synchronization by using this command with either a serial poll or service request handler.

Serial Poll Method: Enable the OPC bit in the Device Event Status Enable Register (DESER) and the Event Status Enable Register (ESER) using the DESE and *ESE commands.

When the operation is complete, the OPC bit in the Standard Event Status Register (SESR) will be enabled and the Event Status Bit (ESB) in the Status Byte Register will be enabled.

The same command sequence using the *OPC command for synchronization with serial polling looks like this:

```
/* Set up conditional acquisition */
```

```

ACQUIRE:STATE OFF
SELECT:CH1 ON
HORIZONTAL:MODE:RECORDLENGTH 1000
ACQUIRE:MODE SAMPLE
ACQUIRE:STOPAFTER SEQUENCE
/* Enable the status registers */
DESE 1
*ESE 1
*SRE 0
/* Acquire waveform data */
ACQUIRE:STATE ON
/* Set up the measurement parameters */
MEASUREMENT:IMMED:TYPE AMPLITUDE
MEASUREMENT:IMMED:SOURCE CH1
/* Wait until the acquisition is complete before taking the measurement.
*/
*OPC
While serial poll = 0, keep looping
/* Take amplitude measurement */
MEASUREMENT:IMMED:VALUE
This technique requires less bus traffic than did looping on BUSY.
Service Request Method: Enable the OPC bit in the Device Event Status Enable
Register (DESER) and the Event Status Enable Register (ESER) using the DESE
and *ESE commands.
You can also enable service requests by setting the ESB bit in the Service Request
Enable Register (SRER) using the *SRE command. When the operation is
complete, a Service Request will be generated.
The same command sequence using the *OPC command for synchronization
looks like this
/* Set up conditional acquisition */
ACQUIRE:STATE OFF
SELECT:CH1 ON

```

```
HORIZONTAL:MODE:RECORDLENGTH 1000
```

```
ACQUIRE:MODE SAMPLE
```

```
ACQUIRE:STOPAFTER SEQUENCE
```

```
/* Enable the status registers */
```

```
DESE 1
```

```
*ESE 1
```

```
*SRE 32
```

```
/* Acquire waveform data */
```

```
ACQUIRE:STATE ON
```

```
/* Set up the measurement parameters */
```

```
MEASUREMENT:IMMED:TYPE AMPLITUDE
```

```
MEASUREMENT:IMMED:SOURCE CH1
```

```
/* Wait until the acquisition is complete before taking the measurement
```

```
*/
```

```
*OPC
```

The program can now do different tasks such as talk to other devices. The SRQ, when it comes, interrupts those tasks and returns control to this task.

```
/* Take amplitude measurement */
```

```
MEASUREMENT:IMMED:VALUE
```

This technique is more efficient but requires more sophisticated programming.

```
*OPC
```

The *OPC? query places a 1 in the Output Queue once an operation that generates an OPC message is complete. A time out could occur if you try to read the output queue before there is any data in it.

The same command sequence using the *OPC? query for synchronization looks like this:

```
/* Set up conditional acquisition */
```

```
ACQUIRE:STATE OFF
```

```
SELECT:CH1 ON
```

```
HORIZONTAL:MODE:RECORDLENGTH 1000
```

```
ACQUIRE:MODE SAMPLE
```

```
ACQUIRE:STOPAFTER SEQUENCE
```

```

/* Acquire waveform data */
ACQUIRE:STATE ON
/* Set up the measurement parameters */
MEASUREMENT:IMMED:TYPE AMPLITUDE
MEASUREMENT:IMMED:SOURCE CH1
/* Wait until the acquisition is complete before taking the measurement
*/
*OPC
Wait for read from Output Queue.
/* Take amplitude measurement */
MEASUREMENT:IMMED:VALUE

```

This is the simplest approach. It requires no status handling or loops. However, you must set the controller time-out for longer than the acquisition operation.

Messages

Overview. The information contained in the topic tabs above covers all the programming interface messages the instrument generates in response to commands and queries.

For most messages, a secondary message from the instrument gives more detail about the cause of the error or the meaning of the message. This message is part of the message string and is separated from the main message by a semicolon.

Each message is the result of an event. Each type of event sets a specific bit in the SESR and is controlled by the equivalent bit in the DESER. Thus, each message is associated with a specific SESR bit. In the message tables, the associated SESR bit is specified in the table title, with exceptions noted with the error message text.

No Event. The following table shows the messages when the system has no events or status to report. These have no associated SESR bit.

Table 3-3: No Event Messages

Code	Message
0	No events to report; queue empty
1	No events to report; new events pending *ESR?

Command Error. The following table shows the command error messages generated by improper syntax. Check that the command is properly formed and that it follows the rules in the section on command Syntax.

Table 3-4: Command Error Messages (CME Bit 5)

Code	Message
100	Command error
101	Invalid character
102	Syntax error
103	Invalid separator
104	Data type error
105	GET not allowed
108	Parameter not allowed
109	Missing parameter
110	Command header error
111	Header separator error
112	Program mnemonic too long
113	Undefined header
114	Header suffix out of range
120	Numeric data error
121	Invalid character in number
123	Exponent too large
124	Too many digits
128	Numeric data not allowed
130	Suffix error
131	Invalid suffix
134	Suffix too long
138	Suffix not allowed
140	Character data error
141	Invalid character data
144	Character data too long
148	Character data not allowed
150	String data error
151	Invalid string data
158	String data not allowed
160	Block data error
161	Invalid block data
168	Block data not allowed
170	Command expression error
171	Invalid expression
178	Expression data not allowed

Execution Error. The following table lists the execution errors that are detected during execution of a command.

Table 3-5: Execution Error Messages (EXE Bit 4)

Code	Message
200	Execution error
201	Invalid while in local
202	Settings lost due to RTL
210	Trigger error
211	Trigger ignored
212	Arm ignored
219	Trigger delay not available
220	Parameter error
221	Settings conflict
222	Data out of range
223	Too much data
224	Illegal parameter value
225	Out of memory
230	Data corrupt or stale
240	Hardware error
241	Hardware missing
244	Invalid parameter selected
250	Mass storage error
251	Missing mass storage
252	Missing media
253	Corrupt media
254	Media full
255	Directory full
256	File name not found
257	File name error
258	Media protected
260	Execution expression error
261	Math error in expression
2200	Measurement error, Measurement system error
2201	Measurement error, No period found
2203	Measurement error, No period, second waveform
2204	Measurement error, Low signal amplitude
2205	Measurement error, Low amplitude, second waveform
2206	Measurement error, Invalid gate
2207	Measurement error, Measurement overflow
2208	Measurement error, Waveform does not cross Mid Ref
2209	Measurement error, No second Mid Ref crossing

Table 3-5: Execution Error Messages (EXE Bit 4) (cont.)

Code	Message
2210	Measurement error, No Mid Ref crossing, second waveform
2211	Measurement error, No backwards Mid Ref Crossing
2212	Measurement error, No negative crossing
2213	Measurement error, No positive crossing
2214	Measurement error, No crossing
2215	Measurement error, No crossing, second waveform
2216	Measurement error, No crossing, target waveform
2217	Measurement error, Constant waveform
2218	Measurement error, Unused
2219	Measurement error, No valid edge – No arm sample
2220	Measurement error, No valid edge – No arm cross
2221	Measurement error, No valid edge – No trigger cross
2222	Measurement error, No valid edge – No second cross
2223	Measurement error, Waveform mismatch
2225	Measurement error, No waveform to measure
2226	Measurement error, Null Waveform
2227	Measurement error, Positive and Negative Clipping
2228	Measurement error, Positive Clipping
2229	Measurement error, Negative Clipping
2230	Measurement error, High Ref < Low Ref
2231	Measurement error, no statistics available
2241	Waveform request is invalid
2243	This measurement cannot be performed on this type of waveform
2244	Source waveform is not active
2248	This ref cannot be activated
2249	Reference deletion error, Waveform in use for math
2250	Reference error, Waveform reference file is invalid
2251	Reference error, Waveform preamble does not match actual
2252	Reference error, Source waveform is not valid
2253	Reference error, Too many points received
2254	Reference error, Too few points received
2259	File too big
2261	Calibration error, wait for the warm-up interval to expire before invoking SPC
2400	Not enough memory available
2401	This channel cannot be activated
2402	Math/Meas/Histo have circular definition
2410	Empty math string

Table 3-5: Execution Error Messages (EXE Bit 4) (cont.)

Code	Message
2411	Syntax error in math string
2412	Semantic error in math string
2413	Math expression is too complex
2420	Histogram cannot be performed on this type of waveform

Device Error. The following table lists the device errors that can occur during instrument operation. These errors may indicate that the instrument needs repair.

Table 3-6: Device Error Messages (DDE Bit 3)

Code	Message
300	Device-specific error
310	System error
311	Memory error
312	PUD memory lost
313	Calibration memory lost
314	Save/recall memory lost
315	Configuration memory lost
350	Queue overflow (does not set DDE bit)

System Event. The following table lists the system event messages. These messages are generated whenever certain system conditions occur.

Table 3-7: System Event Messages

Code	Message
400	Query event
401	Power on (PON bit 7 set)
402	Operation complete (OPC bit 0 set)
403	User request (URQ bit 6 set)
404	Power fail (DDE bit 3 set)
405	Request control
410	Query INTERRUPTED (QYE bit 2 set)
420	Query UNTERMINATED (QYE bit 2 set)
430	Query DEADLOCKED (QYE bit 2 set)
440	Query UNTERMINATED after indefinite response (QYE bit 2 set)

Execution Warning. The following table lists warning messages that do not interrupt the flow of command execution. These notify you that you may get unexpected results.

Table 3-8: Execution Warning Messages (EXE Bit 4)

Code	Message
540	Measurement warning
541	Measurement warning, Low signal amplitude
542	Measurement warning, Unstable histogram
543	Measurement warning, Low resolution
544	Measurement warning, Uncertain edge
545	Measurement warning, Invalid min max
546	Measurement warning, Need 3 edges
547	Measurement warning, Clipping positive/negative
548	Measurement warning, Clipping positive
549	Measurement warning, Clipping negative
551	FASTAcq mode is active – deactivate to use math

Internal Warning. The following table shows internal errors that indicate an internal fault in the instrument.

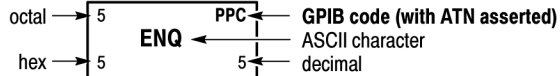
Table 3-9: Internal Warning Messages

Code	Message
600	Internal warning
630	Internal warning, 50 Ω overload

Appendix A: Character Set

B7 B6 B5 BITS B4 B3 B2 B1	0 0		0 0 1		0 1 0		0 1 1		1 0 0		1 0 1		1 1 0		1 1 1	
	CONTROL				NUMBERS SYMBOLS				UPPER CASE				LOWER CASE			
0 0 0 0	0 NUL	20 DLE	40 SP	60 0	100 @	120 P	140 ' SA0	160 p SA16	0	0	0	0	0	0	0	0
0 0 0 1	1 SOH	21 DC1	41 !	61 1	101 A	121 Q	141 a SA1	161 q SA17	1	1	1	1	1	1	1	1
0 0 1 0	2 STX	22 DC2	42 "	62 2	102 B	122 R	142 b SA2	162 r SA18	2	2	2	2	2	2	2	2
0 0 1 1	3 ETX	23 DC3	43 #	63 3	103 C	123 S	143 c SA3	163 s SA19	3	3	3	3	3	3	3	3
0 1 0 0	4 EOT	24 DC4	44 \$	64 4	104 D	124 T	144 d SA4	164 t SA20	4	4	4	4	4	4	4	4
0 1 0 1	5 ENQ	25 NAK	45 %	65 5	105 E	125 U	145 e SA5	165 u SA21	5	5	5	5	5	5	5	5
0 1 1 0	6 ACK	26 SYN	46 &	66 6	106 F	126 V	146 f SA6	166 v SA22	6	6	6	6	6	6	6	6
0 1 1 1	7 BEL	27 ETB	47 ' LA7	67 7	107 G	127 W	147 g SA7	167 w SA23	7	7	7	7	7	7	7	7
1 0 0 0	8 BS	30 CAN	50 (LA8	70 8	110 H	130 X	150 h SA8	170 x SA24	8	8	8	8	8	8	8	8
1 0 0 1	9 HT	31 EM	51) LA9	71 9	111 I	131 Y	151 i SA9	171 y SA25	9	9	9	9	9	9	9	9
1 0 1 0	A LF	32 SUB	52 * LA10	72 :	112 J	132 Z	152 j SA10	172 z SA26	A	A	A	A	A	A	A	A
1 0 1 1	B VT	33 ESC	53 + LA11	73 ; LA27	113 K	133 [153 k SA11	173 { SA27	B	B	B	B	B	B	B	B
1 1 0 0	C FF	34 FS	54 , LA12	74 < LA28	114 L	134 \	154 l SA12	174 SA28	C	C	C	C	C	C	C	C
1 1 0 1	D CR	35 GS	55 - LA13	75 = LA29	115 M	135]	155 m SA13	175 } SA29	D	D	D	D	D	D	D	D
1 1 1 0	E SO	36 RS	56 . LA14	76 > LA30	116 N	136 ^	156 n SA14	176 ~ SA30	E	E	E	E	E	E	E	E
1 1 1 1	F SI	37 US	57 / LA15	77 ? UNL	117 O	137 -	157 o SA15	177 RUBOUT (DEL)	F	F	F	F	F	F	F	F
	ADDRESSED COMMANDS	UNIVERSAL COMMANDS	LISTEN ADDRESSES	TALK ADDRESSES	SECONDARY ADDRESSES OR COMMANDS											

KEY



Tektronix

REF: ANSI STD X3.4-1977
IEEE STD 488.1-1987
ISO STD 646-2973

Appendix B: Reserved Words

This is a list of reserved words for your instrument. Capital letters identify the required minimum spelling.

*CAL	AMI	ATTEN40X	AUXIn
*CLS	AMPliTude	ATTEN450X	AUXLevel
*DDT	AND	ATTEN45X	AUXiliary
*ESE	ANNOtation	ATTEN4X	AUXout
*ESR	AOFFSet	ATTEN4_5X	AVErage
*IDN	APPLYtoall	ATTEN500X	B
*LRN	AREA	ATTEN50X	B3ZS
*OPC	AREa	ATTEN550X	B6ZS
*OPT	ASCIi	ATTEN55X	B8ZS
*PSC	ASCI	ATTEN5X	BACKwards
*PUD	ATAG1	ATTEN5_5X	BANDwidth
*RCL	ATAG2	ATTEN600X	BASE
*RST	ATAG3	ATTEN60X	BAUD
*SAV	ATARXG1	ATTEN650X	BEEP
*SDS	ATARXG2	ATTEN65X	BELl
*SRE	ATARXG3	ATTEN6X	BETween
*STB	ATATXG1	ATTEN6_5X	BILevelcustom
*TRG	ATATXG2	ATTEN700X	BINary
*TST	ATATXG3	ATTEN70X	BITRate
*WAI	ATRIGger	ATTEN750X	BIT_Nr
0	ATTEN1000X	ATTEN75X	BLACKANDwhite
1	ATTEN100X	ATTEN7X	BLACKMANHarris
100	ATTEN10X	ATTEN7_5X	BMP
50	ATTEN125X	ATTEN800X	BN_Fmt
80	ATTEN12_5X	ATTEN80X	BOFFSet
A	ATTEN150X	ATTEN850X	BOTH
ABSolute	ATTEN15X	ATTEN85X	BOX
AC	ATTEN175X	ATTEN8X	BOXPcnt
ACcept	ATTEN17_5X	ATTEN8_5X	BTRIGger
ACKMISS	ATTEN1X	ATTEN900X	BURSt
ACQDURATION	ATTEN1_25X	ATTEN90X	BUSY
ACQLENGTH	ATTEN1_5X	ATTEN950X	BY
ACQuire	ATTEN1_75X	ATTEN95X	BYPass
ACTIVE	ATTEN200X	ATTEN9X	BYT_Nr
ACTUa1	ATTEN20X	ATTEN9_5X	BYT_Or
ADDR10	ATTEN250X	ATTempts	CALProbe
ADDR7	ATTEN25X	AUTHLogin	CALibrate
ADDRANDDATA	ATTEN2X	AUTHPassword	CAN
ADDRESS	ATTEN2_5X	AUTO	CANH
ALIAs	ATTEN300X	AUTOAdjust	CANL
ALL	ATTEN30X	AUTOBitrate	CAPS
ALLEV	ATTEN350X	AUTOBright	CAREa
ALLFields	ATTEN35X	AUTOReflevel	CARet
ALLLines	ATTEN3X	AUTOSet	CATalog
ALLMatched	ATTEN3_5X	AUTOZero	CENTER
ALLOcate	ATTEN400X	AUX	CENTERed

CH	DDR2	E4_1	FACTory
CH1	DDR3	ECL	FAILURES
CH14	DDRMemory	EDGE	FAILure
CH2	DDRREADwrite	EDGE2	FALL
CH3	DDRRead	EDGE[1]	FALSE
CH4	DDRwrite	EIGHtytwenty	FALLing
CHECKSUMDR	DEFAULT	EITHer	FAST
CLAss	DEFAuLt	EMBoss	FASTAcq
CLEAR	DEFine	EMail	FASTERthan
CLOCKCoax	DEGAUSS	ENCdg	FASTframe
CLOCKSymmetrical	DEGrees	END	FASTest
CLOCK	DELEte	ENET100	FC1063
CMDBatch	DELTAtime	ENET1000BCX_ATP2	FC1063Draft
CMEan	DELTA	ENET1000BCX_ATP3	FC1063E
CMI	DELAy	ENET1000BCX_NTP2	FC1063E_ABR
CMOFFSet	DELAyed	ENET100FX	FC1063E_ABT
CODe	DESE	ENET100STP	FC1063E_ADR
COEFFS	DESKEW	ENET100UTP	FC1063E_ADT
COLOR	DESKew	ENET1250	FC1063E_AGR
COLUMN	DESTination	ENETXAU1	FC1063E_AGT
COMMunication	DETAiled	ENETXAU12	FC1063E_NBT
COMPLetion	DIAG	ENETXAU1_Far	FC1063E_NDT
COMpare	DIFFerential	ENETXAU1_Near	FC1063E_NGT
CONDition	DIR	ENGRave	FC133
CONSTant	DIREction	ENHanced	FC133E
CONSUMER	DIREction	ENTERSwindow	FC2125
CONTROL	DISTDuty	ENV	FC2125E_ABR
CONTRol	DISable	ENVELOpe	FC2125E_ABT
COPY	DISplay	ENable	FC2125E_ADR
COUNT	DIVisions	EOF	FC2125E_ADT
COUNT	DMOFFSet	ERROR	FC2125E_AGR
COUPLing	DONE	ET	FC2125E_AGT
CREATE	DOTS	EVEN	FC2125E_NBT
CRMS	DS0Contra	EVENT	FC2125E_NDT
CROSSHair	DS0Double	EVENTS	FC2125E_NGT
CURSOR	DS0Single	EVMsg	FC266
CURVENext	DS0Timing	EVQty	FC266E
CURVEStream	DS1	EXECUTE	FC4250
CURVe	DS1A	EXECute	FC4250E_ABR
CUSTOM	DS1C	EXITSWindow	FC4250E_ABT
CWD	DS2	EXPort	FC4250E_ADR
Custom	DS2RATECoax	EXTAtten	FC4250E_ADT
D1	DS2RATESymmetrical	EXTDBatten	FC4250E_AGR
D2	DS3	EXTENDED	FC4250E_AGT
DASHed	DS4NA	EXTINCTDB	FC4250E_NBT
DATA	DS4NA_Max	EXTINCTPCT	FC4250E_NDT
DATASource	E1	EXTINCTRATIO	FC4250E_NGT
DATE	E1Coax	EXTUnits	FC531
DATa	E1Symmetrical	EXTerna1	FC531E
DB	E2	EYE	FFWD
DBM	E3	EYEHeight	FIELD
DC	E4	EYEWIdth	FIELD1
DCREject	E4_0	EYEdiagram	FIELD2

FIFTYfifty	FW1394BS800BT2	HITS	KAISERBessel
FILE	FWD	HLS	LABel
FILEFormat	FuLl	HOLDTime	LANDscape
FILEName	G703DS1	HOLDoff	LAST
FILESystem	G703DS3	HOLDoff	LAYout
FILTer	GAIN	HORizontal	LENGTH
FILEpath	GATEPOS	HORizontal[LENGth
FIRSt	GATEWIDTH	HOSTwanted	LESSLimit
FIVE	GATing	HPOS	LESSThan
FLATTOP2	GAUSSian	HSCALE	LEVEL
FOCUS	GDDR3	HST	LEVeL
FONTColor	Generalcall	HST1	LFRej
FONTEffect	GLitch	HST2	LIMITrecordlen
FONTName	GND	HST3	LIMit
FONTSize	GPIb	HST4	LINE
FONTStyle	GRaticule	HST5	LINEAr
FORCEDRange	GRId	HST6	LINEPeriod
FORCe	GROUPDelay	HTRIGPOS	LINES
FORMat	HALT	I2C	LINeStyle
FORwards	HAMming	ID	LINE_X
FP	HANNing	IDANDDATA	LIVE
FPBinary	HARDCopy	IDENTifier	LOCKLen
FRAMELock	HBArS	IMAGEView	LOCKOffset
FRAMESTART	HBWstraightflex	IMAGe	LOCK
FRAMESTOP	HD1080I50	IMMEDState	LOG
FRAMEStArt	HD1080I60	IMMed	LOGIC
FRAMEtype	HD1080P24	INdependent	LONG
FRAME	HD1080P25	INF2_5G	LOOP
FRAME	HD1080P30	INF2_5GE	LOOPS
FREE	HD1080P50	INFINIBAND	LOW
FREQuency	HD1080P60	INFinite	LOWLimit
FREV	HD1080SF24	INFPersist	LOWerthreshold
FROMSearch	HD480P60	INHERIT	Lock
FRom	HD576P50	INIT	LSB
FST	HD720P30	INKSaver	LVLSrcpreference
FST1	HD720P50	INPUT	MAG
FST2	HD720P60	INPUTMode	MAIn
FST3	HD875I60	INPut	MAIn]
FST4	HDB3	INSIDEGreater	MANchester
FST5	HDELTA	INSide	MANuaL
FST6	HDR	INTENSIFied	MARK
FULLNOmenu	HEADer	INTENSITY	MARKSINCOLUMN
FULLSCREEN	HERtz	INTERLaced	MARgin
FULl	HEX	INTERNaL	MASK
FUNcTion	HFrej	INTERPEightbit	MASKHighLight
FW1394BS1600B	HIACQRATE	INTERPRatio	MASKPRE
FW1394BS1600BT1	HIGH	INTERnaL	MATH
FW1394BS1600BT2	HIGHLIGHTHits	INVERTed	MATH1
FW1394BS400B	HIGHLOWX	INVert	MATH14
FW1394BS400BT1	HIGHLimit	IRE	MATH2
FW1394BS400BT2	HIRes	IT	MATH3
FW1394BS800B	HISTogram	ITEM	MATH4
FW1394BS800BT1	HITS	JPEG	MATHArbflT

MATHCOLor	NOISerej	OWNer	PROGressive
MATHCad	NOISE	PAL	PRObe
MATHVAR	NONE	PALETTE	PRObestate
MATLab	NOR	PARity	PTOP
MAXFRames	NORMALIZED	PASS	PT_Fmt
MAXSamplerate	NORMAL	PASSWord	PT_ORDER
MAXSize	NOvershoot	PATTERNBITS	PT_Off
MAXimum	NR1	PATtern	PULSEForm
MEAN	NR3	PBASE	PULSE
MEANSTDdev	NRZ	PCIEXPRESS	PWIDth
MEAS	NR_FR	PCIEXPRESS_Rcv	QFACTOR
MEAS1	NR_Pt	PCIEXPRESS_Xmit	QUALify
MEAS2	NTSC	PCIExpress	RADIUS
MEAS3	NTSC	PCIExpress2	RADIans
MEAS4	NUMACq	PCROSS	RANDom
MEAS5	NUMAVg	PCTCROSS	RANGE
MEAS6	NUMCOEFFS	PCX	RATDELta
MEAS7	NUMEMails	PDuty	RATE1
MEAS8	NUMERIC	PEAKHits	RATE2
MEASurement	NUMENV	PEAKdetect	RATE3
MEDian	NUMFRAMESACquired	PERCent	RATE32Mbit
METHod	NUMFRAMES	PERIOD	RATE4
MHZ10	NUMITEMS	PERSistence	RATE5
MHZ100	NUMSAMPles	PHASE	RATE97Mbit
MID	NUMX	PHase	RATIO
MINIMUM	NUMY	PK2Pk	RATio
MINMax	NWIDth	PKPKJitter	RDELta
MINUSOne	OC1	PKPKNoise	READ
MINimum	OC12	PLOCK	READFile
MISO	OC3	PLOCK BITRate	READOUT
MISOMOSI	OC48	PLUSOne	READOuts
MKDir	OC48_FEC	PNG	RECALL
MLT3	OCCurs	POINTS	RECORDView
MODE	ODD	POLARCoord	RECOVered
MODE	OFF	POLArity	RECOrdlength
MONOGRAY	OFFGRaticule	PORT	RECTANGular
MONOGREEN	OFFSETAdj	PORTrait	RECTX
MORELimit	OFFSet	POS	RECTY
MOREThan	ON	POSITION	RECTangular
MOSI	ONE	POSITIVE	REF
MRTTime	ONEfifty	POSITION	REF1
MSB	ONGRaticule	POVershoot	REF14
MULTiscope	ONLYOVERlay	PRESAMPBITS	REF2
MULTipleframes	OPTIMnoise	PREVIOUS	REF3
MV	OPTion	PRINTER	REF4
NAME	OR	PRINt	REFCOLor
NAND	ORR	PROBE	REFLEVELOffset
NCROSS	OTHER	PROBECa1	REFLevel
NDuty	OUT	PROBEFunc	REFOut
NEGATIVE	OUTSIDEGreater	PRODELta	REJECT
NEWpass	OUTside	PRODUCT	REM
NEXT	OVERLOAD	PRODUCer	REMOte
NOCARE	OVERlay	PRODuct	REName

REPEATstart	RWINclude	SETLevel	SPREADSHEETtxt
REPeat	RX	SETTime	SRCDependent
RESBw	S8B10B	SETUp	SRCIndependent
RESET	SAMPLERate	SFI5_2	SRIBinary
RESETLive	SAMPlingmode	SFI5_3	SRPbinary
RESULT	SAMple	SFI5_RCVBCLK2	SRQ
RESet	SAS1_5	SFI5_RCVBCLK3	SS
RESistance	SAS1_5_CR	SFI5_RCVBDATA2	STABle
RESUltS	SAS1_5_CR_AASJ	SFI5_RCVBDATA3	STANDARD
REV	SAS1_5_IR	SFI5_RCVDCLK2	STANDard
RI	SAS1_5_IR_AASJ	SFI5_RCVDCLK3	START
RIBinary	SAS1_5_SATA	SFI5_RCVDDATA2	START
RIO_1G	SAS1_5_XR	SFI5_RCVDDATA3	STARTbyte
RIO_1_5G	SAS1_5_XR_AASJ	SFI5_XMITACLK2	STATE
RIO_2G	SAS3_	SFI5_XMITACLK3	STATISTICS
RIO_500M	SAS3_0_CR	SFI5_XMITADATA2	STATUS
RIO_750M	SAS3_0_CR_AASJ	SFI5_XMITADATA3	STATe
RIO_DRV1G	SAS3_0_IR	SFI5_XMITCCLK2	STATus
RIO_DRV1_5G	SAS3_0_IR_AASJ	SFI5_XMITCCLK3	STAYSHigh
RIO_DRV2G	SAS3_0_SATA	SFI5_XMITCDATA2	STAYSLow
RIO_DRV500M	SAS3_0_XR	SFI5_XMITCDATA3	STDdev
RIO_DRV750M	SAS3_0_XR_AASJ	SFPbinary	STM0_0
RIO_EDRV1G	SAS6_0	SHADow	STM0_1
RIO_EDRV1_5G	SATA1_5	SHIFted	STM0_CMI
RIO_EDRV2G	SATA3_0	SHORT	STM0_HDBX
RIO_EDRV500M	SATA6_0	SHOWREmote	STM1E
RIO_EDRV750M	SAVEWFM	SIGMA1	STM1E_0
RIO_RCV1G	SAVe	SIGMA2	STM1E_1
RIO_RCV1_5G	SCAN	SIGMA3	STOP
RIO_RCV2G	SCAlE	SIGType	STOPAfter
RIO_RCV500M	SCLK	SIGNal	STOPOnviolation
RIO_RCV750M	SCREEN	SINX	STORE
RIO_SERIAL_1G	SCREENSAVER	SIXSigmajit	STROBE
RIO_SERIAL_2G	SCREENSAVERDELAY	SIZE	STROBESource
RIO_SERIAL_2_5G	SCREENText	SIZE	STRing
RIO_SERIAL_3G	SCROLL	SLOWERthan	STS1
RISe	SCROLLLock	SLOpe	STS1Eye
RISetime	SDASHed	SMTPPort	STS1Pulse
RISing	SEARCH	SMTPServer	STS3
RMDir	SEARCHtotrigger	SNAp	STS3_Max
RMS	SECAM	SNRatio	STYle
RMSJitter	SECOnds	SOF	SUBITEMS
RMSNoise	SEG	SOLID	SUBSYS
ROLL	SELECTED	SOURCE	SUMFrame
ROLE	SElect	SOURce	SUPPress
ROSc	SElected	SPAN	SYNCInterva1
RP	SENSITivity	SPC	TEKEXponential
RPBinary	SEQuence	SPECTra1	TEKLink
RS232	SERIAL	SPEED	TEKSecure
RT	SERIALTRIG	SPEEd	TEMPERature
RUN	SERnumber	SPI	TEMPlate
RUNSTop	SET	SPLit	TENbit
RUNT	SETHold	SPREADSHEETCsv	TERmination

TEST	TRIGgerAPULseWINDOW	VERT_INDEX	WITHin
TESTS	LOGICINPUT	VERTical	WRITE
TESt	TRIGgeron	VFields	WRITEFile
TFI5_2	TRIGgertosearch	VIDEO270	X
TFI5_3	TRILevelcustom	VIDEO292M	XDELta
THDELta	TRIGger	VIDEO360	XINcr
THETA	TRUe	VIDeo	XPOS
THReshold	TTL	VIEW	XPOSITION
TIFF	TWEnty	VIOLATIONS	XUNit
TIME	TWofifty	VLines	XY
TIMEOut	TX	VOFFSet	XYZ
TIMEPosition	TYPE	VPOS	YZERo
TIMEStamp	UNDEFINED	VSCAlE	Y
TIMEtype	UNDo	VSROC192	YDELta
TIPType	UNITString	WAIT	YMUlt
TO	UNIts	WAVEFORMS	YOFF
TOLerance	UNLock	WAVEform	YPOS
TOTAL	UNWRap	WAVFRMStream	YPOSITION
TOTAL	UPPerthreshold	WAVFrm	YT
TRACk	USER	WEIghting	YUNit
TRACking	USERMask	WFId	YZERo
TRANSition	USER	WFMDB	ZERO
TRIG	VALUEMean	WFMInpre	ZERo
TRIGBar	VALue	WFMOutpre	ZOOM
TRIGIF	VAR	WFMPre	ZOOM
TRIGT	VARpersist	WHEN	makeEnumList
TRIGTOSAMP	VBArs	WIDERthan	signalPathMgr_probe
TRIGger	VDELTA	WIDTH	TipMode
TRIGgerAPULserUNT	VECTors	WIDth	
LOGICINPUT	VERBose	WINDow	

Appendix C: Factory Default Setup Values

Default Setup

The following tables list the default setup values by command group. The instrument sets these values when you press the front-panel DEFAULT SETUP button or send the FACTORY command. Only those commands that have values set by the DEFAULT SETUP function are listed in these tables.

NOTE. The following commands do not affect the DATA parameters: TEKSecure, *RST, RECALL:SETUP FACTORY. These are the initial factory default settings for DATA :DATA:DESTINATION REF1;ENCDG RIBINARY;SOURCE CHI;START 1;STOP 5000;FRAMESTART 1;FRAMESTOP 5000.

NOTE. Find the most up-to-date values for your instrument and software by pressing default setup and looking at the instrument to get the default values.

Acquisition Default Values

The following table lists the Acquisition factory default setup values.

Command	Default Values
ACQUIRE:MODE	SAMPLE
ACQUIRE:NUMAVG	16
ACQUIRE:NUMENV	10
ACQUIRE:NUMSAMPLES	16000
ACQUIRE:SAMPLINGMODE	IT
ACQUIRE:STATE	1 (ON)
ACQUIRE:STOPAFTER	RUNSTOP
FASTACQ:STATE	0

Alias Default Values

The following table lists the Alias factory default setup values.

Command	Default Values
ALIAS:STATE	0 (OFF)

Cursor Default Values

The following table lists the Cursor factory default setup values.

Command	Default Values
CURSOR:FUNCTION	VBARS
CURSOR:HBARs:POSITION<x>	1 = 300.0000E-3 2 = -300.0000E-3

Command	Default Values
CURSor:LINEStyle	SOLID
CURSor:MODE	INDEPENDENT
CURSor:SCREEN:STYLE	LINES
CURSor:SOUrce<x>	CH1
CURSor:STATE	0
CURSor:VBArS:POSITION<x>	1 = -1.6000E-6 2 = 1.6000E-6
CURSor:VBArS:UNIts	SECONDS
CURSor:WAVEform:POSition<x>	1 = -1.6000E-6 2 = 1.6000E-6
	1 = CH1 2 = CH1
CURSor:WAVEform:STYLE	LINE_X
CURSor:WAVEform:UNIts	BASE
CURSor:XY:READOUT	RECTANGULAR
CURSor:XY:RECTX<x>	0.0000
CURSor:XY:RECTY<x>	0.0000

Diagnostics Default Values

The following table lists the Diagnostics factory default setup values.

Command	Default Values
DIAG:LEVEL	SUBSYS

Display Control Default Values

The following table lists the Display factory default setup values.

Command	Default Values
DISPlay:CLOCK	1
DISPlay:COLOr:MATHCOLOr	DEFAULT
DISPlay:COLOr:PALEtte:IMAGEView	TEMPERATURE
DISPlay:COLOr:PALEtte:RECORDView	NORMAL
DISPlay:COLOr:PALEtte:USEr:CARet	150,50,100
DISPlay:COLOr:PALEtte:USEr:CH<x>	1 = 180,50,100 2 = 300,50,100 3 = 60,50,100 4 = 240,50,100
DISPlay:COLOr:PALEtte:USEr:GRAticule	165,50,15
DISPlay:COLOr:PALEtte:USEr:HIStoqram	320,50,100
DISPlay:COLOr:PALEtte:USEr:MASK	0,25,75

Command	Default Values
DISplay:COLOr:PALEtte:USEr:MASKHighlight	140,50,100
DISplay:COLOr:PALEtte:USEr:MATH<x>	1 = 160,50,100 2 = 40,60,100 3 = 120,60,100 4 = 195,50,100
DISplay:COLOr:PALEtte:USEr:REF<x>	1 = 0,90,0 2 = 0,90,100 3 = 60,90,100 4 = 240,90,100
DISplay:COLOr:REFCOLOR	DEFAULT
DISplay:FILTer	SINX
DISplay:FORMat	YT
DISplay:GRAticule	FULL
DISplay:INTENSITy:WAVEform:IMAGEView	75.0000
DISplay:INTENSITy:WAVEform:RECORDView	75.0000
DISplay:PERsistence	OFF
DISplay:SCREENExt:LABel<x>:NAME	""
DISplay:SCREENExt:LABel<x>:XPOS	100
DISplay:SCREENExt:LABel<x>:YPOS	1 = 5 2 = 20 3 = 35 4 = 50 5 = 65 6 = 80 7 = 95 8 = 110
DISplay:SCREENExt:STATE	0
DISplay:STYle	VECTORS
DISplay:TRIGBar	SHORT
DISplay:TRIGT	1
DISplay:VARpersist	500.0000E-3

E-mail Default Values

The following table lists the E-mail setup values.

Command	Default Values
EMail:ATTempts	1
EMail:AUTHLogin	""
EMail:FRom	"DPO7104_<Instrument Serial Number>"
EMail:HOSTwanted	""

Command	Default Values
E M ail:IMAGe	0
E M ail:MASK	0
E M ail:MAXSize	1
E M ail:MEASUrement	0
E M ail:NUMEMails	1
E M ail:SMTPPort	25
E M ail:SMTPServer	""
E M ail:TIMEOut	30
E M ail:TO	""
E M ail:TRIGger	0
E M ail:WAVEform	0

Hard Copy Default Values

The following table lists the Hardcopy factory default setup values.

Command	Default Values
HARDCopy:FILENAME	""
HARDCopy:PORT	FILE

Histogram Default Values

The following table lists the Histogram factory default setup values.

Command	Default Values
HIS t ogram:BOXPcnt	30.0000,25.1000,70.0000,75.2000
HIS t ogram:DISplay	LINEAR
HIS t ogram:FUN C tion	HORIZONTAL
HIS t ogram:SIze	2.0000
HIS t ogram:SOU R ce	CH1
HIS t ogram:STATE	0

Horizontal Default Values

The following table lists the Horizontal factory default setup values.

Command	Default Values
HORizontal[:MAIn]:DELay:MODE	0
HORizontal[:MAIn]:DELay:POSition	50.0000
HORizontal[:MAIn]:DELay:TIME	0.000000000000
HORizontal[:MAIn]:POSition	50.0000
HORizontal:MODE:RECO R dlength	≤2.5 GHz instruments: 1.0E+3

Command	Default Values
HORizontal:MODE:SAMPLERate	≥12.5 GHz instruments: 50 GS/s ≥3.5 GHz and ≤8 GHz instruments: 25.0 GS/s ≤3.5 GHz instruments: 10.0 GS/s
HORizontal:ROLL	AUTO

Mask Default Values

The following table lists the Mask factory default setup values.

Command	Default Values
MASK:AUTOAdjust	10
MASK:AUTOAdjust:HDELTA	10
MASK:AUTOAdjust:VDELTA	10
MASK:AUTOSet:AUTOAdjust	1
MASK:AUTOSet:HPOS	1
MASK:AUTOSet:HSCALE	1
MASK:AUTOSet:MODE	MANUAL
MASK:AUTOSet:OFFSEtAdj	1
MASK:AUTOSet:STANdard	NONE
MASK:AUTOSet:TRIGger	1
MASK:AUTOSet:VPOS	1
MASK:AUTOSet:VSCALE	1
MASK:COUNt:STATE	0
MASK:DISPlay	1
MASK:FILTer	0
MASK:HIGHLIGHtHits	1
MASK:INVert	0
MASK:LOCK	1
MASK:MARGin:PERCent	5.0000
MASK:MARGin:STATE	0
MASK:MASKPRE:AMPLitude	100.0000E-3
MASK:MASKPRE:HSCALE	200.0000E-9
MASK:MASKPRE:HTRIGPOS	500.0000E-3
MASK:MASKPRE:PATTERNBITS	1
MASK:MASKPRE:PRESAMPBITS	0
MASK:MASKPRE:RECOrdlength	5000
MASK:MASKPRE:TRIGTOSAMP	0.0000
MASK:MASKPRE:VOFFSet	0.0000
MASK:MASKPRE:VPOS	0.0000

Command	Default Values
MASK:MASKPRE:VSCAlE	1.0000E-3
MASK:MASKPRE:WIDth	0.0000
MASK:POLarity	POSITIVE
MASK:SOUrce	CH1
MASK:STANdard	NONE
MASK:STOPOnviolation	0
MASK:TEST:BEEP:COMPLetion	0
MASK:TEST:BEEP:FAILure	0
MASK:TEST:DELay	0.0000
MASK:TEST:HARDCopy	0
MASK:TEST:LOG:FAILure	0
MASK:TEST:REPeat	0
MASK:TEST:SAMple:THReshold	1
MASK:TEST:SAVEWFM	0
MASK:TEST:SAVEWFM:FILEName	"C:/TekScope/Waveforms/"
MASK:TEST:SRQ:COMPLetion	0
MASK:TEST:SRQ:FAILure	0
MASK:TEST:STATE	0
MASK:TEST:STOP:FAILure	0
MASK:TEST:THReshold	1
MASK:TEST:WAVEform	20
MASK:USER:AMPlitude	100.0000E-3
MASK:USER:BITRate	1544000
MASK:USER:HSCAlE	200.0000E-9
MASK:USER:HTRIGPOS	500.0000E-3
MASK:USER:LABel	"User Mask"
MASK:USER:PATTERNBITS	1
MASK:USER:PRESAMPBITS	0
MASK:USER:RECOrdlength	5000
MASK:USER:TRIGTOSAMP	0.0000
MASK:USER:VOFFSet	0.0000
MASK:USER:VPOS	0.0000
MASK:USER:VSCAlE	1.0000E-3
MASK:USER:WIDth	0.0000

Math Default Values

The following table lists the Math factory default setup values.

Command	Default Values
MATHVAR:VAR<x>	0.0000
MATH<x>:DEFine	" "
MATH<x>:LABel:NAME	""
MATH<x>:LABel:XPOS	1.0000
MATH<x>:LABel:YPOS	1 = 600.0000E-3 2 = 200.0000E-3 3 = -200.0000E-3 4 = -600.0000E-3
MATH<x>:NUMAVg	2
MATH<x>:SPECTral:CENTER	625.0000E+6
MATH<x>:SPECTral:GATEPOS	0.0000
MATH<x>:SPECTral:GATEWIDTH	2.0000E-6
MATH<x>:SPECTral:LOCK	0
MATH<x>:SPECTral:MAG	DB
MATH<x>:SPECTral:PHASE	DEGREES
MATH<x>:SPECTral:REFLevel	20.0000
MATH<x>:SPECTral:REFLEVELOffset	223.6000E-3
MATH<x>:SPECTral:RESBw	1000.0000E+3
MATH<x>:SPECTral:SPAN	1.2500E+9
MATH<x>:SPECTral:SUPPress	-200.0000
MATH<x>:SPECTral:UNWRap	0
MATH<x>:SPECTral:WINdow	GAUSSIAN
MATH<x>:UNITString	"V"
MATH<x>:VERTical:POSition	0.0000
MATH<x>:VERTical:SCAlE	1.0000

Measurement Default Values

The following table lists the Measurement factory default setup values.

Command	Default Values
MEASUrement:GATing	OFF
MEASUrement:IMMed:DElAy:DIREction	FORWARDS
MEASUrement:IMMed:DElAy:EDGE[1]	RISE
MEASUrement:IMMed:DElAy:EDGE2	RISE
MEASUrement:IMMed:METhod	HISTOGRAM
MEASUrement:IMMed:NOISe	HIGH
MEASUrement:IMMed:REFLevel:ABSolute:HIGH	0.0000
MEASUrement:IMMed:REFLevel:ABSolute:LOW	0.0000
MEASUrement:IMMed:REFLevel:ABSolute:MID<x>	0.0000

Command	Default Values
MEASUrement:IMMed:REFLevel:METhod	PERCENT
MEASUrement:IMMed:REFLevel:PERCent:HIGH	90.0000
MEASUrement:IMMed:REFLevel:PERCent:LOW	10.0000
MEASUrement:IMMed:REFLevel:PERCent:MID<x>	50.0000
MEASUrement:IMMed:SOUrce<x>	CH1
MEASUrement:IMMed:SOUrce<x>:SIGType	PULSE
MEASUrement:IMMed:TYPe	UNDEFINED
MEASUrement:MEAS<x>:DELay:DIRection	FORWARDS
MEASUrement:MEAS<x>:DELay:EDGE<x>	RISE
MEASUrement:MEAS<x>:METhod	HISTOGRAM
MEASUrement:MEAS<x>:NOISe	HIGH
MEASUrement:MEAS<x>:REFLevel:ABSolute:HIGH	0.0000
MEASUrement:MEAS<x>:REFLevel:ABSolute:LOW	0.0000
MEASUrement:MEAS<x>:REFLevel:ABSolute:MID<x>	0.0000
MEASUrement:IMMed:REFLevel:METhod	PERCENT
MEASUrement:MEAS<x>:REFLevel:PERCent:HIGH	0.0000
MEASUrement:MEAS<x>:REFLevel:PERCent:LOW	0.0000
MEASUrement:MEAS<x>:REFLevel:PERCent:MID<x>	0.0000
MEASUrement:MEAS<x>:SOUrce<x>	CH1
MEASUrement:MEAS<x>:SOUrce<x>:SIGType	PULSE
MEASUrement:MEAS<x>:STATE	0
MEASUrement:MEAS<x>:TYPe	UNDEFINED
MEASUrement:STATIstics:MODE	ALL
MEASUrement:STATIstics:WEIghting	32

Miscellaneous Default Values

The following table lists the Miscellaneous factory default setup values.

Command	Default Values
AUXout:EDGE	FALLING
AUXout:SOUrce	ATRIGGER
CMDBatch	1 (ON)
HEADer	1 (ON)
LOCK	NONE
ROSc:TRACking	INTERNAL
VERBoSe	1 (ON)

Save and Recall Default Settings

The following table lists the Save and Recall factory default setup values.

Command	Default Values
SAVe:WAVEform:FILEFormat	INTERNAL

Search and Mark Default Values

The following table lists the Search and Mark factory default setup values.

Command	Default Values
SEARCH:SEARCH<x>:TRIGger:A:DDRMemory:AUTOBitrate	AUTO
SEARCH:SEARCH<x>:TRIGger:A:DDRMemory:AUTORelevel	AUTO
SEARCH:SEARCH<x>:TRIGger:A:DDRMemory:BITRate	9.9000E+36
SEARCH:SEARCH<x>:TRIGger:A:DDRMemory:DATASource	CH1
SEARCH:SEARCH<x>:TRIGger:A:DDRMemory:REFLevel:DATA:HIGh	9.9000E+36
SEARCH:SEARCH<x>:TRIGger:A:DDRMemory:REFLevel:DATA:LOW	9.9000E+36
SEARCH:SEARCH<x>:TRIGger:A:DDRMemory:REFLevel:DATA:MID	9.9000E+36
SEARCH:SEARCH<x>:TRIGger:A:DDRMemory:REFLevel:STROBE:HIGh	9.9000E+36
SEARCH:SEARCH<x>:TRIGger:A:DDRMemory:REFLevel:STROBE:LOW	9.9000E+36
SEARCH:SEARCH<x>:TRIGger:A:DDRMemory:REFLevel:STROBE:MID	9.9000E+36
SEARCH:SEARCH<x>:TRIGger:A:DDRMemory:STANdard	DDR3
SEARCH:SEARCH<x>:TRIGger:A:DDRMemory:STROBEsource	CH2

Trigger Default Values

The following table lists the Trigger factory default setup values.

Command	Default Values
TRIGger:A:COMMunication:{AMI HDB3 B3ZS B6ZS B8ZS}:PULSEForm	AMI = PLUSONE CMI = PLUSONE
TRIGger:A:COMMunication:{AMI HDB3 B3ZS B6ZS B8ZS}:THReshold:HIGh	AMI = 0.0000
TRIGger:A:COMMunication:{AMI HDB3 B3ZS B6ZS B8ZS}:THReshold:LOW	AMI = 0.0000
TRIGger:A:COMMunication:BITRate	1544000

Command	Default Values
TRIGger:A:COMMunication:CLOCK:POLarity	RISE
TRIGger:A:COMMunication:CODE	NRZ
TRIGger:A:COMMunication:SOURce	CH1
TRIGger:A:COMMunication:SOURce:TYPE	DATA
TRIGger:A:COMMunication:STANdard	CUSTOM
TRIGger:{A B}:EDGE:COUPling	DC
TRIGger:{A B}:EDGE:SLOpe	RISE
TRIGger:{A B}:EDGE:SOURce	A = CH1 B = CH1
TRIGger:A:HOLDoff:BY	DEFAULT
TRIGger:A:HOLDoff:TIME	1.5000E-6
TRIGger:{A B}:LEVEl	0.0000
TRIGger:{A B}:LOGIc:CLAss	PATTERN
TRIGger:{A B}:LOGIc:FUNCTion	AND
TRIGger:{A B}:LOGIc:INPut:CH<x>	CH1 = HIGH CH2 = X CH3 = X
TRIGger:{A B}:LOGIc:PATtern:INPut:CH<x>	CH4 = X
TRIGger:{A B}:LOGIc:PATtern:WHEn	TRUE
TRIGger:{A B}:LOGIc:PATtern:WHEn:LESSLimit	5.0000E-9
TRIGger:{A B}:LOGIc:PATtern:WHEn:MORELimit	5.0000E-9
TRIGger:{A B}:LOGIc:SETHold:CLOCK:EDGE	RISE
TRIGger:{A B}:LOGIc:SETHold:CLOCK:SOURce	CH2
TRIGger:{A B}:LOGIc:SETHold:CLOCK:THReshold	1.2000
TRIGger:{A B}:LOGIc:SETHold:DATA:SOURce	CH1
TRIGger:{A B}:LOGIc:SETHold:DATA:THReshold	1.2000
TRIGger:{A B}:LOGIc:SETHold:HOLDTime	2.0000E-9
TRIGger:{A B}:LOGIc:SETHold:SETTime	3.0000E-9
TRIGger:{A B}:LOGIc:STATE:INPut:CH<x>	CH4 = RISE
TRIGger:{A B}:LOGIc:STATE:WHEn	TRUE
TRIGger:{A B}:LOGIc:THReshold:CH<x>	CH4 = 1.2000
TRIGger:A:MODE	AUTO
TRIGger:{A B}:PULse:CLAss	GLITCH
TRIGger:{A B}:PULse:GLItch:POLarity	POSITIVE
TRIGger:{A B}:PULse:GLItch:TRIGIF	ACCEPT
TRIGger:{A B}:PULse:GLItch:WIDth	2.0000E-9
TRIGger:{A B}:PULse:RUNT:POLarity	POSITIVE
TRIGger:{A B}:PULse:RUNT:THReshold:HIGH	1.2000

Command	Default Values
TRIGger:{A B}:PULse:RUNT:THReshold:LOW	800.0000E-3
TRIGger:{A B}:PULse:RUNT:WHEn	OCCURS
TRIGger:{A B}:PULse:RUNT:WIDth	2.0000E-9
TRIGger:{A B}:PULse:SOUrce	CH1
TRIGger:{A B}:PULse:TIMEOut:POLarity	STAYSHIGH
TRIGger:{A B}:PULse:TIMEOut:TIME	2.0000E-9
TRIGger:{A B}:PULse:TRANSition:DELTAime	2.0000E-9
TRIGger:{A B}:PULse:TRANSition:POLarity	POSITIVE
TRIGger:{A B}:PULse:TRANSition:THReshold:HIGH	1.2000
TRIGger:{A B}:PULse:TRANSition:THReshold:LOW	800.0000E-3
TRIGger:{A B}:PULse:TRANSition:WHEn	FASTER THAN
TRIGger:{A B}:PULse:WIDth:HIGHLimit	2.0000E-9
TRIGger:{A B}:PULse:WIDth:LOWLimit	2.0000E-9
TRIGger:{A B}:PULse:WIDth:POLarity	POSITIVE
TRIGger:{A B}:PULse:WIDth:WHEn	WITHIN
TRIGger:{A B}:PULse:WINDow:THReshold:HIGH	1.2000
TRIGger:{A B}:PULse:WINDow:THReshold:LOW	800.0000E-3
TRIGger:{A B}:PULse:WINDow:WIDTh	2.0000E-9
TRIGger:A:PULse:WINDow:POLarity	EITHER
TRIGger:A:PULse:WINDow:POLarity:CH<x>	EITHER
TRIGger:A:TYPe	EDGE
TRIGger:A:VIDeo:CUSTom:FORMat	INTERLACED
TRIGger:A:VIDeo:FIELD	ALLFIELDS
TRIGger:A:VIDeo:HOLdoff:FIELD	0.0000
TRIGger:A:VIDeo:LINE	1
TRIGger:A:VIDeo:POLarity	NORMAL
TRIGger:A:VIDeo:SCAN	RATE1
TRIGger:A:VIDeo:SOUrce	CH1
TRIGger:A:VIDeo:STANdard	NTSC
TRIGger:B:BY	EVENTS
TRIGger:B:EVENTS:COUNT	2
TRIGger:B:PULse:WINDow:POLarity	EITHER
TRIGger:B:PULse:WINDow:POLarity:CH<x>	EITHER
TRIGger:B:STATE	0
TRIGger:B:TIME	16.0000E-9
TRIGger:B:TYPe	EDGE

Vertical Default Values

The following table lists the Vertical factory default setup values.

Command	Default Values
CH<x>:BANdwidth	500.0000E+6
CH<x>:COUPling	DC
CH<x>:DESKew	0.0000
	0
CH<x>:LABel:NAME	""
CH<x>:LABel:XPOS	CH1 = 1.0000
CH<x>:LABel:YPOS	CH1 = 2.2000
	CH2 = 1.8000
	CH3 = 1.4000
	CH4 = 1.000
CH<x>:OFFSet	0.0000
CH<x>:POSition	0.0000
CH<x>:PROBEFunc:EXTAtten	1.0000
CH<x>:PROBEFunc:EXTUnits	"V"
CH<x>:SCAlE	100.0000E-3
CH<x>:TERmination	1.0000E+6
REF<x>:LABel:NAME	""
REF<x>:LABel:XPOS	1.0000
REF<x>:LABel:YPOS	-1.0000
SElect:<wfm>	CH1 = 1
	CH2 = 0
	CH3 = 0
	CH4 = 0
SElect:CONTROI	CH1

Waveform Default Values

The following table lists the Waveform factory default setup values.

Command	Default Values
DATA:DESTination	REF1
DATA:ENCdg	RIBINARY
DATA:SOUrce	CH1
DATA:STARt	1
DATA:STOP	5000

Zoom Default Values

The following table lists the Zoom factory default setup values.

Command	Default Values
ZOOm:GRAticule:SIZE	80
ZOOm:MODe	0
ZOOm:SCROLL:DIREction	STOP
ZOOm:SCROLL:LOCK	0
ZOOm:SCROLL:SPEED	1
ZOOm:ZOOM<x>:<wfm>:HORizontal:POSition	Zoom1 50.0000 Zoom2 30.0000 Zoom3 70.0000 Zoom4 90.0000
ZOOm:ZOOM<x>:<wfm>:HORizontal:SCAle	5
ZOOm:ZOOM<x>:<wfm>:VERTical:POSition	0.0000
ZOOm:ZOOM<x>:<wfm>:VERTical:SCAle	1.0000
ZOOm:ZOOM<x>:SCROLLLock	1
ZOOm:STATE	1

Appendix D: GPIB Interface Specifications

This topic describes details of the GPIB remote interface of the instrument. Normally, you will not need this information to use the instrument, but this information may be useful if you are connecting to controllers with unusual configurations.

Interface Messages

The following table shows the standard interface messages that the instrument supports.

Table D-1: Standard Interface Messages

Message	Interface
DCL	Yes
GET	Yes
GTL	Yes
LLO	Yes
PPC	No
PPD	No
PPE	No
PPU	No
SDC	Yes
SPD	Yes
SPE	Yes
TCT	No
UNL	Yes
UNT	Yes
Listen Addresses	Yes
Talk Addresses	Yes

GPIB Functions

The following table lists the interface functions and electrical functions subsets supported by this instrument with brief descriptions of each.

Table D-2: Interface Functions

Interface Function	Subset	Meaning
Acceptor Handshake	AH1	The instrument can receive multiline messages across the interface from other devices.
Controller	C1	Controller capability, the instrument can control other devices.
Device Clear	DC1	The instrument can respond to both the DCL (Device Clear) interface message and to the Selected Device Clear (SDC) interface message when the instrument is listen-addressed.
Device Trigger	DT1	Device Trigger capability, the instrument does respond to the GET (Group Execute Trigger) interface message.
Electrical	E2	The instrument uses tri-state buffers, which are optimal for high-speed data transfer.
Listener	L4	The instrument becomes a listener when it detects the listen address being sent over the bus with the ATN line asserted. The instrument ceases to be a listener and becomes a talker when it detects the talk address being sent over the bus with the ATN line asserted.
Parallel Poll	PP0	No Parallel Poll Capability, the instrument does not respond to PPC (Parallel Poll Configure), PPO (Parallel POll Disable), PPE (Parallel Poll Enable), or PPU (Parallel Poll Unconfigure) interface messages, nor does it send a status message when the ATN and EOI lines are asserted simultaneously.
Remote/Local	RL1	The instrument can respond to both GTL (Go To Local) and LLO (Local Lock Out) interface messages.
Service Request	SR1	The instrument can assert the SRQ line to notify the controller in charge that it requires service.
Source Handshake	SH1	The instrument can initiate multiline messages to send across the interface to other devices.
Talker	T5	The instrument becomes a talker when it detects the talk address being sent over the bus with the ATN line asserted. The instrument ceases to be a talker and becomes a listener when it detects the listen address being sent over the bus with the ATN line asserted. The instrument also ceases to be a talker when it detects the talk address of another device being sent over the data lines with ATN asserted.

Glossary

ASCII

Acronym for the American Standard Code for Information Interchange. Controllers transmit commands to the instrument using ASCII character encoding.

Address

A 7-bit code that identifies an instrument on the communication bus. The digitizing instrument must have a unique address for the controller to recognize and transmit commands to it.

Backus-Naur Form (BNF)

A standard notation system for command syntax diagrams. The syntax diagrams in this manual use BNF notation.

Controller

A computer or other device that sends commands to and accepts responses from the digitizing instrument.

EOI

A mnemonic referring to the control line End or Identify on the GPIB interface bus. One of the two possible end-of-message terminators.

EOM

A generic acronym referring to the end-of-message terminator. The end-of-message terminator can be either an EOI or the ASCII code for line feed (LF).

Equivalent-time sampling (ET)

A sampling mode in which the instrument acquires signals over many repetitions of the event. This instrument uses a type of equivalent time sampling called random equivalent time sampling. It utilizes an internal clock that runs asynchronously with respect to the input signal and the signal trigger. The instrument takes samples continuously, independent of the trigger position, and displays them based on the time difference between the sample and the trigger. Although the samples are taken sequentially in time, they are random with respect to the trigger.

Real-time sampling

A sampling mode where the instrument samples fast enough to completely fill a waveform record from a single trigger event. Use real-time sampling to capture single-shot or transient events.

GPIB

An acronym for General Purpose Interface Bus, the common name for the interface system defined in IEEE Std-488.

IEEE

An acronym for the Institute for Electrical and Electronic Engineers.

TEKSecure

A Tektronix custom command that initializes both waveform and setup memories. This overwrites any previously stored data.

Serial Poll

A device on the GPIB bus can request service from the GPIB Controller by asserting the GPIB SRQ line (a Hardware line that is only present on the GPIB communications bus). When a controller acknowledges the SRQ, it “serial polls” each open device on the bus to determine which device on the bus requested service. Any device requesting service returns a status byte with bit 6 set and then unasserts the SRQ line. Devices not requiring service return a status byte with bit 6 cleared.

Index

A

ACQUIRE:INTERPEightbit, 2-73
ACQUIRE:NUMFRAMESACQUIRED?, 2-76
ACQUIRE:SAMPLINGmode, 2-78
ACQUIRE?, 2-80
ACQUIRE:MODE, 2-73
ACQUIRE:NUMACQ?, 2-75
ACQUIRE:NUMAVG, 2-75
ACQUIRE:NUMENV, 2-76
ACQUIRE:NUMSAMPLES, 2-77
ACQUIRE:STATE, 2-78
ACQUIRE:STOPAfter, 2-79
ALIAS, 2-80
ALIAS:CATALOG?, 2-81
ALIAS:DEFINE, 2-81
ALIAS:DELETE, 2-82
ALIAS:DELETE:ALL, 2-83
ALIAS:DELETE:NAME, 2-83
ALIAS:STATE, 2-83
ALLEV?, 2-84
ALLOCATE:WAVEform:REF<x>?, 2-84
AUTOSet, 2-85
AUXIN:PROBE:AUTOZero, 2-87
AUXIN:PROBE:DEGAUSS:STATE?, 2-88
AUXIN:PROBE:FORCEDRange, 2-88
AUXIN:PROBE:ID:SERnumber?, 2-89
AUXIN:PROBE:ID:TYPE?, 2-89
AUXIN:PROBE:INPUTMode, 2-90
AUXIN:PROBE:INPUTMode:AOFFSet, 2-90
AUXIN:PROBE:INPUTMode:BOFFSet, 2-91
AUXIN:PROBE:INPUTMode:CMOFFSet, 2-91
AUXIN:PROBE:INPUTMode:DMOFFSet, 2-92
AUXIN:PROBE:RESistance?, 2-93
AUXIN:PROBEFunc:EXTatten, 2-95
AUXIN:PROBEFunc:EXTDBatten, 2-96
AUXIN:PROBEFunc:EXTUnits, 2-97
AUXIN:BANDwidth, 2-85
AUXIN:COUPLing, 2-86
AUXIN:OFFSet, 2-86
AUXIN:PROBE:DEGAUSS, 2-87
AUXIN:PROBE:GAIN?, 2-89
AUXIN:PROBE:RANge, 2-92
AUXIN:PROBE:SET, 2-93
AUXIN:PROBE:SIGNAL, 2-94

AUXIN:PROBE:TIPtype, 2-95
AUXIN:PROBE:UNITS?, 2-95
AUXout?, 2-98
AUXout:EDGE, 2-98
AUXout:SOURce, 2-98

B

BELI, 2-99
BUSY?, 2-99

C

*CAL?, 2-100
CALIBRATE:CALProbe:CH<x>?, 2-101
CALIBRATE:INTERNAL:START, 2-102
CALIBRATE:INTERNAL:STATUS?, 2-102
CALIBRATE:PROBestate:CH<x>?, 2-103
CALIBRATE:RESULTS:SPC?, 2-104
CALIBRATE?, 2-100
CALIBRATE:INTERNAL, 2-102
CALIBRATE:RESULTS?, 2-104
CH<x>:BANDwidth, 2-105
CH<x>:BANDwidth:ENHanced, 2-106
CH<x>:BANDwidth:ENHanced:APPLYtoall, 2-106
CH<x>:BANDwidth:ENHanced:FORCE, 2-107
CH<x>:BANDwidth:ENHanced:STATE?, 2-108
CH<x>:COUPLing, 2-109
CH<x>:DESKew, 2-109
CH<x>:LABEL:NAME, 2-110
CH<x>:LABEL:XPOS, 2-110
CH<x>:LABEL:YPOS, 2-111
CH<x>:OFFSet, 2-111
CH<x>:POSITION, 2-112
CH<x>:PROBE:AUTOZero, 2-114
CH<x>:PROBE:DEGAUSS, 2-114
CH<x>:PROBE:DEGAUSS:STATE?, 2-114
CH<x>:PROBE:FORCEDRange, 2-115
CH<x>:PROBE:GAIN?, 2-115
CH<x>:PROBE:ID:SERnumber?, 2-116
CH<x>:PROBE:ID:TYPE?, 2-116
CH<x>:PROBE:ID?, 2-116
CH<x>:PROBE:INPUTMode, 2-117
CH<x>:PROBE:INPUTMode:AOFFSet, 2-117
CH<x>:PROBE:INPUTMode:BOFFSet, 2-118

CH<x>:PRObe:INPUTMode:CMOFFSet, 2-118
CH<x>:PRObe:INPUTMode:DMOFFSet, 2-119
CH<x>:PRObe:RANge, 2-119
CH<x>:PRObe:RESistance?, 2-120
CH<x>:PRObe:SET, 2-120
CH<x>:PRObe:SIGnal, 2-121
CH<x>:PRObe:TIPtype, 2-122
CH<x>:PRObe:UNIts?, 2-122
CH<x>:PRObe?, 2-113
CH<x>:PROBECal?, 2-123
CH<x>:PROBEFunc:EXTAtten, 2-123
CH<x>:PROBEFunc:EXTDBatten, 2-124
CH<x>:PROBEFunc:EXTUnits, 2-125
CH<x>:SCAle, 2-126
CH<x>:TERmination, 2-127
CH<x>?, 2-105
*CLS, 2-127
CMDBatch, 2-128
Command Groups, 2-11
CURSor:HBArS:POSITION<x>, 2-131
CURSor:SCREEN:XPOSITION<x>, 2-133
CURSor:SCREEN:YPOSITION<x>, 2-133
CURSor:SOUrce<x>, 2-134
CURSor:VBArS:POS<x>, 2-137
CURSor:VBArS:POSITION<x>, 2-136
CURSor:WAVEform:HDELTA?, 2-139
CURSor:WAVEform:HPOS<x>?, 2-139
CURSor:WAVEform:POSition<x>, 2-139
CURSor:WAVEform:STYle, 2-140
CURSor:WAVEform:UNIts, 2-140
CURSor:WAVEform:VDELTA?, 2-141
CURSor:XY:PRODDELta?, 2-142
CURSor:XY:PRODUCT<x>?, 2-142
CURSor:XY:RADIUS<x>?, 2-143
CURSor:XY:RATIO<x>?, 2-144
CURSor:XY:RECTX<x>, 2-145
CURSor:XY:RECTY<x>, 2-146
CURSor:XY:THETA<x>?, 2-147
CURSor?, 2-128
CURSor:FUNcTion, 2-129
CURSor:HBArS?, 2-130
CURSor:HBArS:DELTA?, 2-130
CURSor:HBArS:UNIts?, 2-131
CURSor:LINEStYle, 2-132
CURSor:MODE, 2-132
CURSor:SCREEN:STYle, 2-133
CURSor:STATE, 2-134

CURSor:VBArS, 2-135
CURSor:VBArS:DELTA?, 2-136
CURSor:VBArS:UNIts, 2-137
CURSor:WAVEform, 2-138
CURSor:XY?, 2-141
CURSor:XY:RATDELta?, 2-143
CURSor:XY:RDELta?, 2-144
CURSor:XY:READOUT, 2-144
CURSor:XY:THDELta?, 2-146
CURSor:XY:XDELta?, 2-147
CURSor:XY:YDELta?, 2-147
CURVe, 2-148
CURVENext?, 2-149
CURVEStream, 2-150

D

DATA, 2-151
DATA:DESTination, 2-151
DATA:ENCdg, 2-152
DATA:FRAMEStArT, 2-154
DATA:FRAMEStOP, 2-155
DATA:SOUrce, 2-155
DATA:StArT, 2-156
DATA:StOP, 2-157
DATE, 2-158
*DDT, 2-158
DELEte:SEtUp, 2-159
DELEte:WAVEform, 2-159
DESE, 2-160
DIAg:RESults:VERBoSe?, 2-170
DIAg:CONTROL:HALT, 2-161
DIAg:CONTROL:LOOP, 2-161
DIAg:EXECUTE, 2-162
DIAg:FAILURES:CLear, 2-163
DIAg:ITEM?, 2-163
DIAg:ITEM:FAILURES?, 2-164
DIAg:ITEM:NAME?, 2-164
DIAg:ITEM:RESult?, 2-165
DIAg:ITEM:SUBITEMS?, 2-165
DIAg:LEVEL, 2-166
DIAg:LOOPS?, 2-166
DIAg:NAME?, 2-167
DIAg:NAME:AREA?, 2-167
DIAg:NAME:SUBSYS?, 2-168
DIAg:NAME:TEST?, 2-168
DIAg:NUMITEMS?, 2-169
DIAg:RESults?, 2-169

DIAg:SElect:ALL, 2-170
 DIAg:SElect:AREA, 2-171
 DIAg:SElect:LAST, 2-171
 DIAg:SElect:SUBSYS, 2-172
 DIAg:SElect:TEST, 2-173
 DIAg:STATE, 2-173
 DIAg:STOP, 2-174
 DISplay:COLOr:MATHCOLOr, 2-176
 DISplay:COLOr:PALEtte:IMAGEView, 2-177
 DISplay:COLOr:PALEtte:RECORDView, 2-178
 DISplay:COLOr:PALEtte:USER, 2-178
 DISplay:COLOr:PALEtte:USER:CARet, 2-179
 DISplay:COLOr:PALEtte:USER:CH<x>, 2-180
 DISplay:COLOr:PALEtte:USER:GRAticule, 2-180
 DISplay:COLOr:PALEtte:USER:HIStogram, 2-181
 DISplay:COLOr:PALEtte:USER:MASK, 2-181
 DISplay:COLOr:PALEtte:USER:
 MASKHighlight, 2-182
 DISplay:COLOr:PALEtte:USER:MATH<x>, 2-182
 DISplay:COLOr:PALEtte:USER:REF<x>, 2-183
 DISplay:COLOr:PALEtte:USER:WAVEform, 2-184
 DISplay:COLOr:REFCOLOr, 2-184
 DISplay:INTENSITy:WAVEform:
 IMAGEView, 2-188
 DISplay:INTENSITy:WAVEform:
 RECORDView, 2-188
 DISplay:PERSistence:RESET, 2-189
 DISplay:SCREENExt:LABel<x>:
 FONTCOLOr, 2-191
 DISplay:SCREENExt:LABel<x>:
 FONTNAme, 2-191
 DISplay:SCREENExt:LABel<x>:FONTSIze, 2-192
 DISplay:SCREENExt:LABel<x>:
 FONTSTyle, 2-192
 DISplay:SCREENExt:LABel<x>:NAME, 2-192
 DISplay:SCREENExt:LABel<x>:STATE, 2-193
 DISplay:SCREENExt:LABel<x>:XPOS, 2-194
 DISplay:SCREENExt:LABel<x>:YPOS, 2-194
 DISplay:SCREENExt:LABel<x>?, 2-190
 DISplay:SCREENExt:STATE, 2-195
 DISplay?, 2-174
 DISplay:CLOCK, 2-175
 DISplay:COLOr?, 2-176
 DISplay:FILTer, 2-185
 DISplay:FORMat, 2-185
 DISplay:GRAticule, 2-186
 DISplay:INTENSITy?, 2-187

DISplay:PERSistence, 2-189
 DISplay:SCREENExt?, 2-190
 DISplay:SHOWREmote, 2-195
 DISplay:STYle, 2-196
 DISplay:TRIGBar, 2-196
 DISplay:TRIGT, 2-197
 DISplay:VARpersist, 2-198
 DISplay:WAVEform, 2-198

E

EMail, 2-199
 EMail:ATTempts, 2-199
 EMail:AUTHLogin, 2-200
 EMail:AUTHPassword, 2-200
 EMail:COUNt?, 2-201
 EMail:FRom, 2-201
 EMail:HOSTwanted, 2-201
 EMail:IMAGe, 2-202
 EMail:MASK, 2-202
 EMail:MAXSize, 2-203
 EMail:MEASUrement, 2-203
 EMail:NUMEMails, 2-204
 EMail:SMTPPort, 2-204
 EMail:SMTPServer, 2-205
 EMail:STATUS?, 2-205
 EMail:TIMEOut, 2-206
 EMail:TO, 2-206
 EMail:TRIGger, 2-207
 EMail:WAVEform, 2-207
 *ESE, 2-208
 *ESR?, 2-209
 EVENT?, 2-209
 EVMsg?, 2-210
 EVQty?, 2-210
 EXPort, 2-211
 EXPort:FILEName, 2-211
 EXPort:FORMat, 2-212
 EXPort:PALEtte, 2-212
 EXPort:READOuts, 2-213
 EXPort:VIEW, 2-213

F

FACtory, 2-214
 FASTAcq?, 2-215
 FASTAcq:HIACQRATE, 2-215
 FASTAcq:STATE, 2-216

FILESystem:WRITEFile, 2-222
FILESystem?, 2-216
FILESystem:COpy, 2-217
FILESystem:CWD, 2-217
FILESystem:DELEte, 2-218
FILESystem:DIR?, 2-218
FILESystem:MKDir, 2-219
FILESystem:PRInt, 2-219
FILESystem:READFile, 2-220
FILESystem:REName, 2-221
FILESystem:RMDir, 2-222

H

HARDCopy, 2-223
HARDCopy:FILENAME, 2-224
HARDCopy:LAYout, 2-224
HARDCopy:PALEtte, 2-225
HARDCopy:PORT, 2-225
HARDCopy:READOuts, 2-226
HARDCopy:VIEW, 2-227
HDR, 2-227
HEADer, 2-228
HIStoqram?, 2-229
HIStoqram:BOX, 2-229
HIStoqram:BOXPent, 2-230
HIStoqram:COUNt, 2-231
HIStoqram:DATA?, 2-231
HIStoqram:DISplay, 2-232
HIStoqram:FUNcTION, 2-233
HIStoqram:MODE, 2-234
HIStoqram:SIZE, 2-234
HIStoqram:SOURce, 2-235
HIStoqram:STATE, 2-236
HORizontal:ACQDURATION?, 2-237
HORizontal:ACQLENGTH?, 2-237
HORizontal:DIVisions?, 2-237
HORizontal:FASTframe:COUNt, 2-238
HORizontal:FASTframe:MAXFRames?, 2-239
HORizontal:FASTframe:MULTipleframes:
 FRAMEStart:<wfm>, 2-239
HORizontal:FASTframe:MULTipleframes:
 MODE, 2-240
HORizontal:FASTframe:MULTipleframes:
 NUMFRames:<wfm>, 2-241
HORizontal:FASTframe:REF:FRAME, 2-241
HORizontal:FASTframe:REF:SOURce, 2-242
HORizontal:FASTframe:SELECTED:CH<x>, 2-243

HORizontal:FASTframe:SELECTED:
 MATH<x>, 2-243
HORizontal:FASTframe:SELECTED:REF<x>, 2-243
HORizontal:FASTframe:SELECTED:SOURce, 2-244
HORizontal:FASTframe:SEQUence, 2-245
HORizontal:FASTframe:STATE, 2-245
HORizontal:FASTframe:SUMFrame, 2-246
HORizontal:FASTframe:TIMEStamp:ALL:
 <wfm>?, 2-246
HORizontal:FASTframe:TIMEStamp:BETWeen:
 <wfm>?, 2-247
HORizontal:FASTframe:TIMEStamp:DELTA:
 <wfm>?, 2-248
HORizontal:FASTframe:TIMEStamp:FRAME:
 <wfm>?, 2-248
HORizontal:FASTframe:TIMEStamp:REF?, 2-249
HORizontal:FASTframe:TIMEStamp:SELECTED:
 <wfm>?, 2-249
HORizontal:FASTframe:TRACk, 2-250
HORizontal:FASTframe:XZErO:ALL:CH<x>?, 2-251
HORizontal:FASTframe:XZErO:ALL:
 REF<x>?, 2-251
HORizontal:FASTframe:XZErO:FRAME:
 CH<x>?, 2-252
HORizontal:FASTframe:XZErO:FRAME:
 REF<x>?, 2-252
HORizontal:FASTframe:XZErO:REF?, 2-253
HORizontal:FASTframe:XZErO:SELECTED:
 CH<x>?, 2-253
HORizontal:FASTframe:XZErO:SELECTED:
 REF<x>?, 2-253
HORizontal:FASTframe?, 2-238
HORizontal:MAIn:INTERPRatio?, 2-256
HORizontal:MAIn:UNIts, 2-257
HORizontal:MAIn:UNIts:STRing, 2-257
HORizontal:MODE:AUTO:LIMITrecordlen, 2-259
HORizontal:MODE:RECOrdlength, 2-259
HORizontal:MODE:SAMPLERate, 2-260
HORizontal:MODE:SCALE, 2-260
HORizontal:TIMEStamp:CH<x>?, 2-261
HORizontal:TIMEStamp:REF<x>?, 2-261
HORizontal?, 2-236
HORizontal[:MAIn]:DELay:MODE, 2-254
HORizontal[:MAIn]:DELay:POSition, 2-255
HORizontal[:MAIn]:DELay:TIME, 2-255
HORizontal[:MAIn]:POSition, 2-256
HORizontal:MAIn?, 2-254

HORizontal:MODE, 2-258
 HORizontal:ROLL, 2-261

I

ID?, 2-262
 *IDN?, 2-262

L

LIMit:COMpare:CH<x>, 2-264
 LIMit:COMpare:MATH<x>, 2-265
 LIMit:COMpare:REF<x>, 2-265
 LIMit:HIGHLIGHTHits:RESet, 2-268
 LIMit:SAVEWFM:FILEName, 2-271
 LIMit:STOPOnviolation, 2-273
 LIMit:TEMPlate:DESTination, 2-273
 LIMit:TEMPlate:SOUrce, 2-274
 LIMit:TEMPlate:STORe, 2-275
 LIMit:TEMPlate:TOLerance:HORizontal, 2-275
 LIMit:TEMPlate:TOLerance:VERTical, 2-276
 LIMit?, 2-263
 LIMit:BEEP, 2-263
 LIMit:COMpare, 2-264
 LIMit:EMail, 2-266
 LIMit:HARDCopy, 2-267
 LIMit:HIGHLIGHTHits, 2-268
 LIMit:LOCK, 2-269
 LIMit:LOG, 2-269
 LIMit:SAVEWFM, 2-270
 LIMit:SRQ, 2-271
 LIMit:STATE, 2-272
 LIMit:STATus?, 2-272
 LOCK, 2-276
 *LRN?, 2-277

M

MARK, 2-278
 MARK:SElected:FOCUS?, 2-280
 MARK:SElected:MARKSINCOLumn?, 2-281
 MARK:SElected:OWNer?, 2-281
 MARK:SElected:SOURCER?, 2-281
 MARK:SElected:START?, 2-282
 MARK:SElected:ZOOM:POSition?, 2-283
 MARK:SElected:ZOOM:SCAle?, 2-283
 MARK:CREATE, 2-278
 MARK:DELEte, 2-279
 MARK:FREE?, 2-279

MARK:SElected:END?, 2-280
 MARK:SElected:LABel, 2-280
 MARK:SElected:STATe, 2-282
 MARK:TOTal?, 2-283
 MASK:AUTOAdjust:HDELTA, 2-285
 MASK:AUTOAdjust:VDELTA, 2-285
 MASK:AUTOSet:AUTOAdjust, 2-286
 MASK:AUTOSet:OFFSEtAdj, 2-288
 MASK:AUTOSet:STANdard, 2-289
 MASK:AUTOSet:TRIGger, 2-295
 MASK:AUTOSet:USER:ONE, 2-295
 MASK:AUTOSet:USER:TYPe, 2-296
 MASK:AUTOSet:USER:ZERo, 2-296
 MASK:COUNt:FAILURES?, 2-299
 MASK:COUNt:SEG<m>:HITS?, 2-299
 MASK:COUNt:VIOLATIONS?, 2-301
 MASK:COUNt:WAVEFORMS?, 2-302
 MASK:MASKPRE:AMplitude, 2-306
 MASK:MASKPRE:HTRIGPOS, 2-307
 MASK:MASKPRE:PATTERNBITS, 2-308
 MASK:MASKPRE:PRESAMPBITS, 2-308
 MASK:MASKPRE:RECOrdlength, 2-309
 MASK:MASKPRE:TRIGTOSAMP, 2-309
 MASK:MASKPRE:VOFFSet, 2-310
 MASK:SEG<m>, 2-313
 MASK:SEG<m>:NR_Pt?, 2-313
 MASK:SEG<m>:POINTS, 2-314
 MASK:STOPOnviolation, 2-322
 MASK:TEST:AUX:COMPLetion, 2-322
 MASK:TEST:AUX:FAILure, 2-323
 MASK:TEST:BEEP:COMPLetion, 2-323
 MASK:TEST:BEEP:FAILure, 2-324
 MASK:TEST:LOG:FAILure, 2-326
 MASK:TEST:SAMple:THReshold, 2-327
 MASK:TEST:SAVEWFM:FILEName, 2-329
 MASK:TEST:SRQ:COMPLetion, 2-329
 MASK:TEST:SRQ:FAILure, 2-330
 MASK:TEST:STOP:FAILure, 2-331
 MASK:USER:PATTERNBITS, 2-336
 MASK:USER:PRESAMPBITS, 2-336
 MASK:USER:RECOrdlength, 2-337
 MASK:USER:SEG<m>, 2-337
 MASK:USER:SEG<m>:NR_Pt?, 2-338
 MASK:USER:SEG<m>:POINTS, 2-338
 MASK:USER:TRIGTOSAMP, 2-339
 MASK?, 2-284
 MASK:AUTOAdjust, 2-284

MASK:AUTOSet:HPOS, 2-286
MASK:AUTOSet:HSCAle, 2-287
MASK:AUTOSet:MODe, 2-288
MASK:AUTOSet:VPOS, 2-297
MASK:AUTOSet:VSCAle, 2-297
MASK:COpy:USER, 2-298
MASK:COUnT, 2-298
MASK:COUnT:HITS?, 2-299
MASK:COUnT:STATE, 2-300
MASK:COUnT:TESTS?, 2-300
MASK:COUnT:TOTal?, 2-301
MASK:DISPlay, 2-302
MASK:FILTer, 2-303
MASK:HIGHLIGHTHits, 2-303
MASK:INVert, 2-304
MASK:LOCK, 2-304
MASK:MARgin:PERCent, 2-305
MASK:MARgin:STATE, 2-305
MASK:MASKPRE:HSCAle, 2-306
MASK:MASKPRE:VPOS, 2-310
MASK:MASKPRE:VSCAle, 2-311
MASK:MASKPRE:WIDth, 2-312
MASK:POLarity, 2-312
MASK:SOUrce, 2-314
MASK:STANdard, 2-315
MASK:TEST:DELay, 2-324
MASK:TEST:HARDCopy, 2-325
MASK:TEST:REPeat, 2-326
MASK:TEST:SAMple, 2-327
MASK:TEST:SAVEWFM, 2-328
MASK:TEST:STATE, 2-330
MASK:TEST:STATUS?, 2-331
MASK:TEST:THReshold, 2-332
MASK:TEST:WAVEform, 2-332
MASK:USER:AMPlitude, 2-333
MASK:USER:BITRate, 2-333
MASK:USER:HSCAle, 2-334
MASK:USER:HTRIGPOS, 2-334
MASK:USER:LABel, 2-335
MASK:USER:VOFFSet, 2-339
MASK:USER:VPOS, 2-340
MASK:USER:VSCAle, 2-340
MASK:USER:WIDth, 2-341
MATH<x>:DEFine, 2-344
MATH<x>:FILTer:MODe, 2-345
MATH<x>:FILTer:RISetime, 2-346
MATH<x>:LABel:NAME, 2-346
MATH<x>:LABel:XPOS, 2-347
MATH<x>:LABel:YPOS, 2-347
MATH<x>:NUMAVg, 2-348
MATH<x>:SPECTral:CENTER, 2-349
MATH<x>:SPECTral:GATEPOS, 2-349
MATH<x>:SPECTral:GATEWIDTH, 2-350
MATH<x>:SPECTral:LOCK, 2-351
MATH<x>:SPECTral:MAG, 2-352
MATH<x>:SPECTral:PHASE, 2-352
MATH<x>:SPECTral:REFLevel, 2-353
MATH<x>:SPECTral:REFLEVELOffset, 2-353
MATH<x>:SPECTral:RESBw, 2-354
MATH<x>:SPECTral:SPAN, 2-355
MATH<x>:SPECTral:SUPPress, 2-356
MATH<x>:SPECTral:UNWRap, 2-356
MATH<x>:SPECTral:WINDow, 2-357
MATH<x>:SPECTral?, 2-348
MATH<x>:UNITString, 2-358
MATH<x>:VERTical:POSition, 2-358
MATH<x>:VERTical:SCALE, 2-360
MATH<x>?, 2-344
MATHArbft<x>:FILEpath, 2-342
MATHArbft<x>:READFile, 2-342
MATHVAR:VAR<x>, 2-343
MATHVAR?, 2-342
MEASUrement:ANNOtation:IMMEDStAte, 2-361
MEASUrement:ANNOtation:NUMX?, 2-362
MEASUrement:ANNOtation:NUMY?, 2-362
MEASUrement:ANNOtation:STATE, 2-363
MEASUrement:ANNOtation:TYPe, 2-363
MEASUrement:ANNOtation:X<x>?, 2-364
MEASUrement:ANNOtation:Y<x>?, 2-364
MEASUrement:IMMed:DELay:DIREction, 2-366
MEASUrement:IMMed:DELay:EDGE[1], 2-367
MEASUrement:IMMed:DELay:EDGE2, 2-367
MEASUrement:IMMed:DELay?, 2-366
MEASUrement:IMMed:METHod, 2-368
MEASUrement:IMMed:NOISe, 2-369
MEASUrement:IMMed:REFLevel:ABSolute:
HIGH, 2-370
MEASUrement:IMMed:REFLevel:ABSolute:
LOW, 2-370
MEASUrement:IMMed:REFLevel:ABSolute:
MID<x>, 2-371
MEASUrement:IMMed:REFLevel:METHod, 2-372
MEASUrement:IMMed:REFLevel:PERCent:
HIGH, 2-372

- MEASUrement:IMMed:REFLevel:PERCent:
 LOW, 2-373
 MEASUrement:IMMed:REFLevel:PERCent:
 MID<x>, 2-374
 MEASUrement:IMMed:REFLevel?, 2-369
 MEASUrement:IMMed:SOURce<x>, 2-374
 MEASUrement:IMMed:SOURce<x>:SIGType, 2-375
 MEASUrement:IMMed:TYPe, 2-376
 MEASUrement:IMMed:UNIts?, 2-380
 MEASUrement:IMMed:VALue?, 2-381
 MEASUrement:MEAS<x>:COUNT?, 2-382
 MEASUrement:MEAS<x>:DELay:DIREction, 2-382
 MEASUrement:MEAS<x>:DELay:EDGE<x>, 2-383
 MEASUrement:MEAS<x>:DELay?, 2-382
 MEASUrement:MEAS<x>:MAXimum?, 2-384
 MEASUrement:MEAS<x>:MEAN?, 2-384
 MEASUrement:MEAS<x>:METHod, 2-385
 MEASUrement:MEAS<x>:MINImum?, 2-385
 MEASUrement:MEAS<x>:NOISe, 2-385
 MEASUrement:MEAS<x>:REFLevel:ABSolute:
 HIGH, 2-387
 MEASUrement:MEAS<x>:REFLevel:ABSolute:
 LOW, 2-387
 MEASUrement:MEAS<x>:REFLevel:ABSolute:
 MID<x>, 2-388
 MEASUrement:MEAS<x>:REFLevel:
 METHod, 2-388
 MEASUrement:MEAS<x>:REFLevel:PERCent:
 HIGH, 2-389
 MEASUrement:MEAS<x>:REFLevel:PERCent:
 LOW, 2-390
 MEASUrement:MEAS<x>:REFLevel:PERCent:
 MID<x>, 2-390
 MEASUrement:MEAS<x>:REFLevel?, 2-386
 MEASUrement:MEAS<x>:SOURce<x>, 2-391
 MEASUrement:MEAS<x>:SOURce<x>:
 SIGType, 2-392
 MEASUrement:MEAS<x>:STATE, 2-393
 MEASUrement:MEAS<x>:STDdev?, 2-393
 MEASUrement:MEAS<x>:TYPe, 2-394
 MEASUrement:MEAS<x>:UNIts?, 2-398
 MEASUrement:MEAS<x>:VALue?, 2-399
 MEASUrement:MEAS<x>?, 2-381
 MEASUrement:REFLevel:ABSolute:HIGH, 2-401
 MEASUrement:REFLevel:ABSolute:LOW, 2-401
 MEASUrement:REFLevel:ABSolute:MID<x>, 2-402
 MEASUrement:REFLevel:METHod, 2-403
 MEASUrement:REFLevel:PERCent:HIGH, 2-404
 MEASUrement:REFLevel:PERCent:LOW, 2-404
 MEASUrement:REFLevel:PERCent:MID<x>, 2-405
 MEASUrement:SOURce<x>:SIGType, 2-406
 MEASUrement:STATIstics:COUNT, 2-407
 MEASUrement:STATIstics:MODE, 2-407
 MEASUrement:STATIstics:WEIghting, 2-408
 MEASUrement?, 2-361
 MEASUrement:GATING, 2-364
 MEASUrement:IMMed?, 2-365
 MEASUrement:METHod, 2-399
 MEASUrement:NOISe, 2-400
- N**
- NEWpass, 2-408
- O**
- *OPC, 2-409
 *OPT?, 2-410
- P**
- PASSWord, 2-410
 *PSC, 2-411
 *PUD, 2-411
- R**
- *RCL, 2-412
 RECAll:MASK, 2-412
 RECAll:SETUp, 2-413
 RECAll:WAVEform, 2-414
 REF<x>:HORizontal:POSition, 2-414
 REF<x>:LABel:NAME, 2-416
 REF<x>:LABel:XPOS, 2-416
 REF<x>:LABel:YPOS, 2-417
 REF<x>:LABel?, 2-415
 REF<x>:VERTical:POSition, 2-418
 REF<x>:VERTical:SCAle, 2-418
 REM, 2-419
 ROSc:SOURce, 2-420
 ROSc:STATE?, 2-420
 ROSc:TRACking, 2-421
 *RST, 2-422
- S**
- *SAV, 2-422

- SAVe:WAVEform:FILEFormat, 2-425
SAVe:MASK, 2-423
SAVe:SETUp, 2-423
SAVe:WAVEform, 2-424
*SDS, 2-426
SEARCH:SEARCH<x>, 2-427
SEARCH:SEARCH<x>:COpy, 2-427
SEARCH:SEARCH<x>:STATE, 2-428
SEARCH:SEARCH<x>:TOTAL?, 2-428
SEARCH:SEARCH<x>:TRIGger:A:DDRMemory:
 AUTOBitrate, 2-428
SEARCH:SEARCH<x>:TRIGger:A:DDRMemory:
 AUTOREflevel, 2-429
SEARCH:SEARCH<x>:TRIGger:A:DDRMemory:
 BITRate, 2-430
SEARCH:SEARCH<x>:TRIGger:A:DDRMemory:
 DATASource, 2-430
SEARCH:SEARCH<x>:TRIGger:A:DDRMemory:
 REFLevel:DATA:HIGH, 2-431
SEARCH:SEARCH<x>:TRIGger:A:DDRMemory:
 REFLevel:DATA:LOW, 2-431
SEARCH:SEARCH<x>:TRIGger:A:DDRMemory:
 REFLevel:DATA:MID, 2-432
SEARCH:SEARCH<x>:TRIGger:A:DDRMemory:
 REFLevel:STROBE:HIGH, 2-432
SEARCH:SEARCH<x>:TRIGger:A:DDRMemory:
 REFLevel:STROBE:LOW, 2-433
SEARCH:SEARCH<x>:TRIGger:A:DDRMemory:
 REFLevel:STROBE:MID, 2-434
SEARCH:SEARCH<x>:TRIGger:A:DDRMemory:
 STANdard, 2-434
SEARCH:SEARCH<x>:TRIGger:A:DDRMemory:
 STROBEsource, 2-435
SEARCH:SEARCH<x>:TRIGger:A:EDGE:SLOpe:
 CH<x>, 2-435
SEARCH:SEARCH<x>:TRIGger:A:EDGE:SLOpe:
 MATH<x>, 2-436
SEARCH:SEARCH<x>:TRIGger:A:EDGE:SLOpe:
 REF<x>, 2-436
SEARCH:SEARCH<x>:TRIGger:A:EDGE:
 SOUrce, 2-437
SEARCH:SEARCH<x>:TRIGger:A:GLItch:
 POLarity:CH<x>, 2-438
SEARCH:SEARCH<x>:TRIGger:A:GLItch:
 POLarity:MATH<x>, 2-438
SEARCH:SEARCH<x>:TRIGger:A:GLItch:
 POLarity:REF<x>, 2-439
SEARCH:SEARCH<x>:TRIGger:A:GLItch:
 TRIGIF, 2-439
SEARCH:SEARCH<x>:TRIGger:A:GLItch:
 WIDth, 2-440
SEARCH:SEARCH<x>:TRIGger:A:LEVel:
 CH<x>, 2-440
SEARCH:SEARCH<x>:TRIGger:A:LEVel:
 MATH<x>, 2-441
SEARCH:SEARCH<x>:TRIGger:A:LEVel:
 REF<x>, 2-441
SEARCH:SEARCH<x>:TRIGger:A:LOGIc:
 FUNctIon, 2-442
SEARCH:SEARCH<x>:TRIGger:A:LOGIc:INPut:
 CH<x>, 2-442
SEARCH:SEARCH<x>:TRIGger:A:LOGIc:INPut:
 MATH<x>, 2-443
SEARCH:SEARCH<x>:TRIGger:A:LOGIc:INPut:
 REF<x>, 2-444
SEARCH:SEARCH<x>:TRIGger:A:LOGIc:
 THReshold:CH<x>, 2-444
SEARCH:SEARCH<x>:TRIGger:A:LOGIc:
 THReshold:MATH<x>, 2-445
SEARCH:SEARCH<x>:TRIGger:A:LOGIc:
 THReshold:REF<x>, 2-445
SEARCH:SEARCH<x>:TRIGger:A:PATtern:
 WHEn, 2-446
SEARCH:SEARCH<x>:TRIGger:A:PATtern:WHEn:
 LESSLimit, 2-446
SEARCH:SEARCH<x>:TRIGger:A:PATtern:WHEn:
 MORELimit, 2-447
SEARCH:SEARCH<x>:TRIGger:A:PULse:
 SOUrce, 2-448
SEARCH:SEARCH<x>:TRIGger:A:RUNT:
 POLarity:CH<x>, 2-448
SEARCH:SEARCH<x>:TRIGger:A:RUNT:
 POLarity:MATH<x>, 2-449
SEARCH:SEARCH<x>:TRIGger:A:RUNT:
 POLarity:REF<x>, 2-450
SEARCH:SEARCH<x>:TRIGger:A:RUNT:
 THReshold:HIGH:CH<x>, 2-450
SEARCH:SEARCH<x>:TRIGger:A:RUNT:
 THReshold:HIGH:MATH<x>, 2-451
SEARCH:SEARCH<x>:TRIGger:A:RUNT:
 THReshold:HIGH:REF<x>, 2-451
SEARCH:SEARCH<x>:TRIGger:A:RUNT:
 THReshold:LOW:CH<x>, 2-452

SEARCH:SEARCH<x>:TRIGger:A:WINDow:
 WIDTH, 2-479
 SEARCH:STOP, 2-479
 SElect:<wfm>, 2-482
 SElect:CH<x>, 2-480
 SElect?, 2-480
 SElect:CONTROL, 2-481
 SET?, 2-482
 SETUp:NAME, 2-483
 *SRE, 2-484
 *STB?, 2-484

T

TEKSecure, 2-485
 TEST, 2-485
 TEST:RESults:VERBoSe?, 2-486
 TEST:RESults?, 2-486
 TEST:STOP, 2-487
 TIME, 2-487
 *TRG, 2-488
 TRIGger, 2-488
 TRIGger: {A|B}:EDGE:COUPling, 2-490
 TRIGger: {A|B}:EDGE:COUPling:CH<x>, 2-491
 TRIGger: {A|B}:EDGE:SLOpe, 2-491
 TRIGger: {A|B}:EDGE:SLOpe:AUX, 2-492
 TRIGger: {A|B}:EDGE:SLOpe:CH<x>, 2-492
 TRIGger: {A|B}:EDGE:SOUrce, 2-493
 TRIGger: {A|B}:LEVel:CH<x>, 2-494
 TRIGger: {A|B}:LOGIc:CLAss, 2-495
 TRIGger: {A|B}:LOGIc:FUNcTION, 2-496
 TRIGger: {A|B}:LOGIc:INPut:CH<x>, 2-497
 TRIGger: {A|B}:LOGIc:INPut?, 2-496
 TRIGger: {A|B}:LOGIc:PATtern:INPut:CH<x>, 2-498
 TRIGger: {A|B}:LOGIc:PATtern:WHEn, 2-499
 TRIGger: {A|B}:LOGIc:PATtern:WHEn:
 LESSLimit, 2-500
 TRIGger: {A|B}:LOGIc:PATtern:WHEn:
 MORELimit, 2-500
 TRIGger: {A|B}:LOGIc:PATtern?, 2-497
 TRIGger: {A|B}:LOGIc:SETHold:CLOCK:
 EDGE, 2-502
 TRIGger: {A|B}:LOGIc:SETHold:CLOCK:
 SOUrce, 2-502
 TRIGger: {A|B}:LOGIc:SETHold:CLOCK:
 THReshold, 2-503
 TRIGger: {A|B}:LOGIc:SETHold:CLOCK:
 THReshold:CH<x>, 2-504
 TRIGger: {A|B}:LOGIc:SETHold:CLOCK?, 2-501
 TRIGger: {A|B}:LOGIc:SETHold:DATA:
 SOUrce, 2-505
 TRIGger: {A|B}:LOGIc:SETHold:DATA:
 THReshold, 2-505
 TRIGger: {A|B}:LOGIc:SETHold:DATA:THReshold:
 CH<x>, 2-506
 TRIGger: {A|B}:LOGIc:SETHold:DATA?, 2-504
 TRIGger: {A|B}:LOGIc:SETHold:HOLDTime, 2-507
 TRIGger: {A|B}:LOGIc:SETHold:QUALify, 2-507
 TRIGger: {A|B}:LOGIc:SETHold:SETTime, 2-508
 TRIGger: {A|B}:LOGIc:SETHold?, 2-501
 TRIGger: {A|B}:LOGIc:STATE:INPut:CH<x>, 2-509
 TRIGger: {A|B}:LOGIc:STATE:WHEn, 2-510
 TRIGger: {A|B}:LOGIc:STATE?, 2-508
 TRIGger: {A|B}:LOGIc:THReshold:CH<x>, 2-511
 TRIGger: {A|B}:LOGIc:THReshold?, 2-510
 TRIGger: {A|B}:LOWerthreshold:CH<x>, 2-511
 TRIGger: {A|B}:PULse:CLAss, 2-513
 TRIGger: {A|B}:PULse:GLItch:POLarity, 2-514
 TRIGger: {A|B}:PULse:GLItch:POLarity:
 CH<x>, 2-515
 TRIGger: {A|B}:PULse:GLItch:QUALify, 2-516
 TRIGger: {A|B}:PULse:GLItch:TRIGIF, 2-516
 TRIGger: {A|B}:PULse:GLItch:WIDth, 2-517
 TRIGger: {A|B}:PULse:GLItch?, 2-514
 TRIGger: {A|B}:PULse:RUNT:POLarity, 2-518
 TRIGger: {A|B}:PULse:RUNT:POLarity:
 CH<x>, 2-519
 TRIGger: {A|B}:PULse:RUNT:QUALify, 2-520
 TRIGger: {A|B}:PULse:RUNT:THReshold:
 BOTH, 2-521
 TRIGger: {A|B}:PULse:RUNT:THReshold:
 HIGH, 2-521
 TRIGger: {A|B}:PULse:RUNT:THReshold:
 LOW, 2-522
 TRIGger: {A|B}:PULse:RUNT:THReshold?, 2-520
 TRIGger: {A|B}:PULse:RUNT:WHEn, 2-522
 TRIGger: {A|B}:PULse:RUNT:WIDth, 2-523
 TRIGger: {A|B}:PULse:RUNT?, 2-518
 TRIGger: {A|B}:PULse:SOUrce, 2-523
 TRIGger: {A|B}:PULse:TIMEOut:POLarity, 2-525
 TRIGger: {A|B}:PULse:TIMEOut:POLarity:
 CH<x>, 2-525
 TRIGger: {A|B}:PULse:TIMEOut:QUALify, 2-526
 TRIGger: {A|B}:PULse:TIMEOut:TIME, 2-527
 TRIGger: {A|B}:PULse:TIMEOut?, 2-524

- TRIGger: {A|B}:PULse:TRANsition:
DELTATime, 2-528
- TRIGger: {A|B}:PULse:TRANsition:POLarity, 2-528
- TRIGger: {A|B}:PULse:TRANsition:POLarity:
CH<x>, 2-529
- TRIGger: {A|B}:PULse:TRANsition:QUALify, 2-530
- TRIGger: {A|B}:PULse:TRANsition:THReshold:
BOTH, 2-531
- TRIGger: {A|B}:PULse:TRANsition:THReshold:
HIGH, 2-531
- TRIGger: {A|B}:PULse:TRANsition:THReshold:
LOW, 2-532
- TRIGger: {A|B}:PULse:TRANsition:
THReshold?, 2-530
- TRIGger: {A|B}:PULse:TRANsition:WHEn, 2-532
- TRIGger: {A|B}:PULse:TRANsition?, 2-527
- TRIGger: {A|B}:PULse:WIDth:HIGHLimit, 2-534
- TRIGger: {A|B}:PULse:WIDth:LOWLimit, 2-534
- TRIGger: {A|B}:PULse:WIDth:POLarity, 2-535
- TRIGger: {A|B}:PULse:WIDth:POLarity:
CH<x>, 2-535
- TRIGger: {A|B}:PULse:WIDth:QUALify, 2-536
- TRIGger: {A|B}:PULse:WIDth:WHEn, 2-537
- TRIGger: {A|B}:PULse:WIDth?, 2-533
- TRIGger: {A|B}:PULse:WINDow:EVENT, 2-538
- TRIGger: {A|B}:PULse:WINDow:QUALify, 2-539
- TRIGger: {A|B}:PULse:WINDow:THReshold:
BOTH, 2-540
- TRIGger: {A|B}:PULse:WINDow:THReshold:
HIGH, 2-540
- TRIGger: {A|B}:PULse:WINDow:THReshold:
LOW, 2-541
- TRIGger: {A|B}:PULse:WINDow:THReshold?, 2-539
- TRIGger: {A|B}:PULse:WINDow:WIDTH, 2-541
- TRIGger: {A|B}:PULse:WINDow?, 2-537
- TRIGger: {A|B}:PULse?, 2-512
- TRIGger: {A|B}:UPPPerthreshold:CH<x>, 2-542
- TRIGger:A:CAN:CONDition, 2-544
- TRIGger:A:CAN:DATA:DIRection, 2-544
- TRIGger:A:CAN:DATA:LEVel, 2-545
- TRIGger:A:CAN:DATA:SOURce, 2-545
- TRIGger:A:CAN:DATA:VALue, 2-546
- TRIGger:A:CAN:FORMAt, 2-546
- TRIGger:A:CAN:FRAMEType, 2-546
- TRIGger:A:CAN:IDENTifier:MODE, 2-547
- TRIGger:A:CAN:IDENTifier:VALue, 2-547
- TRIGger:A:COMMunication:
{AMI|HDB3|B3ZS|B6ZS|B8ZS}:
PULSEForm, 2-549
- TRIGger:A:COMMunication:
{AMI|HDB3|B3ZS|B6ZS|B8ZS}:
THReshold:HIGH, 2-550
- TRIGger:A:COMMunication:
{AMI|HDB3|B3ZS|B6ZS|B8ZS}:
THReshold:LOW, 2-550
- TRIGger:A:COMMunication:BITRate, 2-551
- TRIGger:A:COMMunication:CLOCK:
POLarity, 2-551
- TRIGger:A:COMMunication:CMI:
PULSEForm, 2-552
- TRIGger:A:COMMunication:CODE, 2-552
- TRIGger:A:COMMunication:SOURce, 2-553
- TRIGger:A:COMMunication:SOURce:TYPE, 2-554
- TRIGger:A:COMMunication:STANdard, 2-555
- TRIGger:A:HOLDoff:ACTUal?, 2-558
- TRIGger:A:HOLDoff:BY, 2-558
- TRIGger:A:HOLDoff:TIME, 2-559
- TRIGger:A:I2C:ADDRes:MODE, 2-559
- TRIGger:A:I2C:ADDRes:RWINClude, 2-560
- TRIGger:A:I2C:ADDRes:TYPE, 2-560
- TRIGger:A:I2C:ADDRes:VALue, 2-561
- TRIGger:A:I2C:CLOCK:LEVel, 2-561
- TRIGger:A:I2C:CLOCK:SOURce, 2-562
- TRIGger:A:I2C:CONDition, 2-562
- TRIGger:A:I2C:DATA:DIRection, 2-563
- TRIGger:A:I2C:DATA:LEVel, 2-564
- TRIGger:A:I2C:DATA:SOURce, 2-564
- TRIGger:A:I2C:DATA:STARt, 2-565
- TRIGger:A:I2C:DATA:VALue, 2-565
- TRIGger:A:I2C:FORMAt, 2-565
- TRIGger:A:PULse:WINDow:POLarity, 2-567
- TRIGger:A:PULse:WINDow:POLarity:CH<x>, 2-568
- TRIGger:A:RS232:BAUD, 2-568
- TRIGger:A:RS232:DATA:LEVel, 2-569
- TRIGger:A:RS232:DATA:SOURce, 2-569
- TRIGger:A:RS232:DATA:VALue, 2-570
- TRIGger:A:RS232:FORMAt, 2-570
- TRIGger:A:RS232:PARity, 2-571
- TRIGger:A:SERIAL:BITRate, 2-571
- TRIGger:A:SERIAL:CLOCK:LEVel, 2-572
- TRIGger:A:SERIAL:CLOCK:POLarity, 2-572
- TRIGger:A:SERIAL:CLOCK:SOURce, 2-572
- TRIGger:A:SERIAL:CODE, 2-573

TRIGger:A:SERIAL:DATA:FORMAt, 2-573
TRIGger:A:SERIAL:DATA:PATtern, 2-574
TRIGger:A:SERIAL:LOCKLen, 2-575
TRIGger:A:SERIAL:LOCKOffset, 2-575
TRIGger:A:SERIAL:SOUrce, 2-576
TRIGger:A:SERIAL:STANdard, 2-576
TRIGger:A:SERIAL:TRIGgeron, 2-578
TRIGger:A:SPI:CONDition, 2-579
TRIGger:A:SPI:DATA:MISO:ACTIVE, 2-579
TRIGger:A:SPI:DATA:MISO:LEVel, 2-580
TRIGger:A:SPI:DATA:MISO:SOUrce, 2-580
TRIGger:A:SPI:DATA:MISO:VALue, 2-581
TRIGger:A:SPI:DATA:MOSI:ACTIVE, 2-581
TRIGger:A:SPI:DATA:MOSI:LEVel, 2-582
TRIGger:A:SPI:DATA:MOSI:SOUrce, 2-582
TRIGger:A:SPI:DATA:MOSI:VALue, 2-583
TRIGger:A:SPI:DATA:STARt, 2-583
TRIGger:A:SPI:FORMAt, 2-584
TRIGger:A:SPI:SCLK:ACTIVE, 2-584
TRIGger:A:SPI:SCLK:LEVel, 2-584
TRIGger:A:SPI:SCLK:SOUrce, 2-585
TRIGger:A:SPI:SS:ACTIVE, 2-585
TRIGger:A:SPI:SS:LEVel, 2-586
TRIGger:A:SPI:SS:SOUrce, 2-586
TRIGger:A:VIDeo:CUSTom:FORMAt, 2-589
TRIGger:A:VIDeo:CUSTom:LINEPeriod, 2-589
TRIGger:A:VIDeo:CUSTom:SYNcInterval, 2-590
TRIGger:A:VIDeo:CUSTom?, 2-588
TRIGger:A:VIDeo:FIELD, 2-590
TRIGger:A:VIDeo:HOLDoff:FIELD, 2-591
TRIGger:A:VIDeo:LINE, 2-591
TRIGger:A:VIDeo:POLarity, 2-592
TRIGger:A:VIDeo:SCAN, 2-593
TRIGger:A:VIDeo:SOUrce, 2-594
TRIGger:A:VIDeo:STANdard, 2-594
TRIGger:B:EVENTS:COUNT, 2-598
TRIGger:B:PULse:WINDow:POLarity, 2-599
TRIGger:B:PULse:WINDow:POLarity:CH<x>, 2-599
TRIGger:B:RESET:SOUrce, 2-600
TRIGger:B:RESET:STATE, 2-601
TRIGger:B:RESET:THReshold, 2-601
TRIGger:B:RESET:TIMEOut, 2-602
TRIGger:B:RESET:TRANSition, 2-602
TRIGger:B:RESET:TYPe, 2-603
TRIGger:LVLsrcPreference, 2-606
TRIGger:{A|B}:EDGE?, 2-489
TRIGger:{A|B}:LEVel, 2-494

TRIGger:A, 2-542
TRIGger:A:CAN:PROBE, 2-548
TRIGger:A:CAN:SPEEd, 2-548
TRIGger:A:HOLDoff?, 2-557
TRIGger:A:LOGic?, 2-566
TRIGger:A:MODE, 2-566
TRIGger:A:TYPe, 2-587
TRIGger:A:VIDeo?, 2-588
TRIGger:AUXLevel, 2-596
TRIGger:B, 2-596
TRIGger:B:BY, 2-597
TRIGger:B:EVENTS?, 2-598
TRIGger:B:STATE, 2-604
TRIGger:B:TIME, 2-604
TRIGger:B:TYPe, 2-605
TRIGger:ENHanced, 2-606
TRIGger:SENSITivity, 2-607
TRIGger:STATE?, 2-607
*TST?, 2-608

U

UNLock, 2-608

V

VERBose, 2-609

W

*WAI, 2-610
WAVFrm?, 2-610
WAVFRMStream?, 2-611
WFMInpre?, 2-612
WFMInpre:BIT_Nr, 2-613
WFMInpre:BN_Fmt, 2-613
WFMInpre:BYT_Nr, 2-614
WFMInpre:BYT_Or, 2-615
WFMInpre:ENCdg, 2-615
WFMInpre:NR_FR, 2-616
WFMInpre:NR_Pt, 2-616
WFMInpre:PT_Fmt, 2-617
WFMInpre:PT_Off, 2-618
WFMInpre:WFId, 2-618
WFMInpre:XINcr, 2-619
WFMInpre:XUNit, 2-619
WFMInpre:XZEro, 2-620
WFMInpre:YMUlt, 2-620
WFMInpre:YOff, 2-621

- WFMInpre:YUNit, 2-621
 WFMInpre:YZero, 2-622
 WFMOutpre?, 2-622
 WFMOutpre:BIT_Nr, 2-623
 WFMOutpre:BN_Fmt, 2-623
 WFMOutpre:BYT_Nr, 2-624
 WFMOutpre:BYT_Or, 2-625
 WFMOutpre:ENCdg, 2-625
 WFMOutpre:NR_FR?, 2-626
 WFMOutpre:NR_Pt?, 2-626
 WFMOutpre:PT_Fmt?, 2-627
 WFMOutpre:PT_Off?, 2-627
 WFMOutpre:PT_ORDER?, 2-628
 WFMOutpre:WFId?, 2-628
 WFMOutpre:XINcr?, 2-629
 WFMOutpre:XUNit?, 2-630
 WFMOutpre:XZero?, 2-630
 WFMOutpre:YMult?, 2-631
 WFMOutpre:YOff?, 2-631
 WFMOutpre:YUNit?, 2-632
 WFMOutpre:YZero?, 2-632
- Z**
- ZOOM, 2-633
 ZOOM:HORizontal:POSition, 2-634
 ZOOM:HORizontal:SCAle, 2-634
 ZOOM:MATH<x>:HORizontal:POSition, 2-635
 ZOOM:MATH<x>:HORizontal:SCAle, 2-635
 ZOOM:MATH<x>:VERTical:POSition, 2-636
 ZOOM:MATH<x>:VERTical:SCAle, 2-636
 ZOOM:REF<x>:HORizontal:POSition, 2-637
 ZOOM:REF<x>:HORizontal:SCAle, 2-638
 ZOOM:REF<x>:VERTical:POSition, 2-638
 ZOOM:REF<x>:VERTical:SCAle, 2-639
 ZOOM:SCROLL:DIREction, 2-639
 ZOOM:VERTical:POSition, 2-641
 ZOOM:ZOOM<x>, 2-642
 ZOOM:ZOOM<x>:<wfm>:DISplay, 2-644
 ZOOM:ZOOM<x>:<wfm>:HORizontal:
 POSition, 2-644
 ZOOM:ZOOM<x>:<wfm>:HORizontal:SCAle, 2-645
 ZOOM:ZOOM<x>:<wfm>:HORizontal:
 TIMEPosition, 2-645
 ZOOM:ZOOM<x>:<wfm>:VERTical:
 POSition, 2-646
 ZOOM:ZOOM<x>:<wfm>:VERTical:SCAle, 2-646
 ZOOM:ZOOM<x>:SCROLLLock, 2-643
 ZOOM:ZOOM<x>:STATE, 2-643
 ZOOM:GRaticule:SIZE, 2-633
 ZOOM:MODE, 2-637
 ZOOM:SCROLL:LOCK, 2-640
 ZOOM:SCROLL:SPEED, 2-640
 ZOOM:STATE, 2-641
 ZOOM:VERTical:SCAle, 2-642